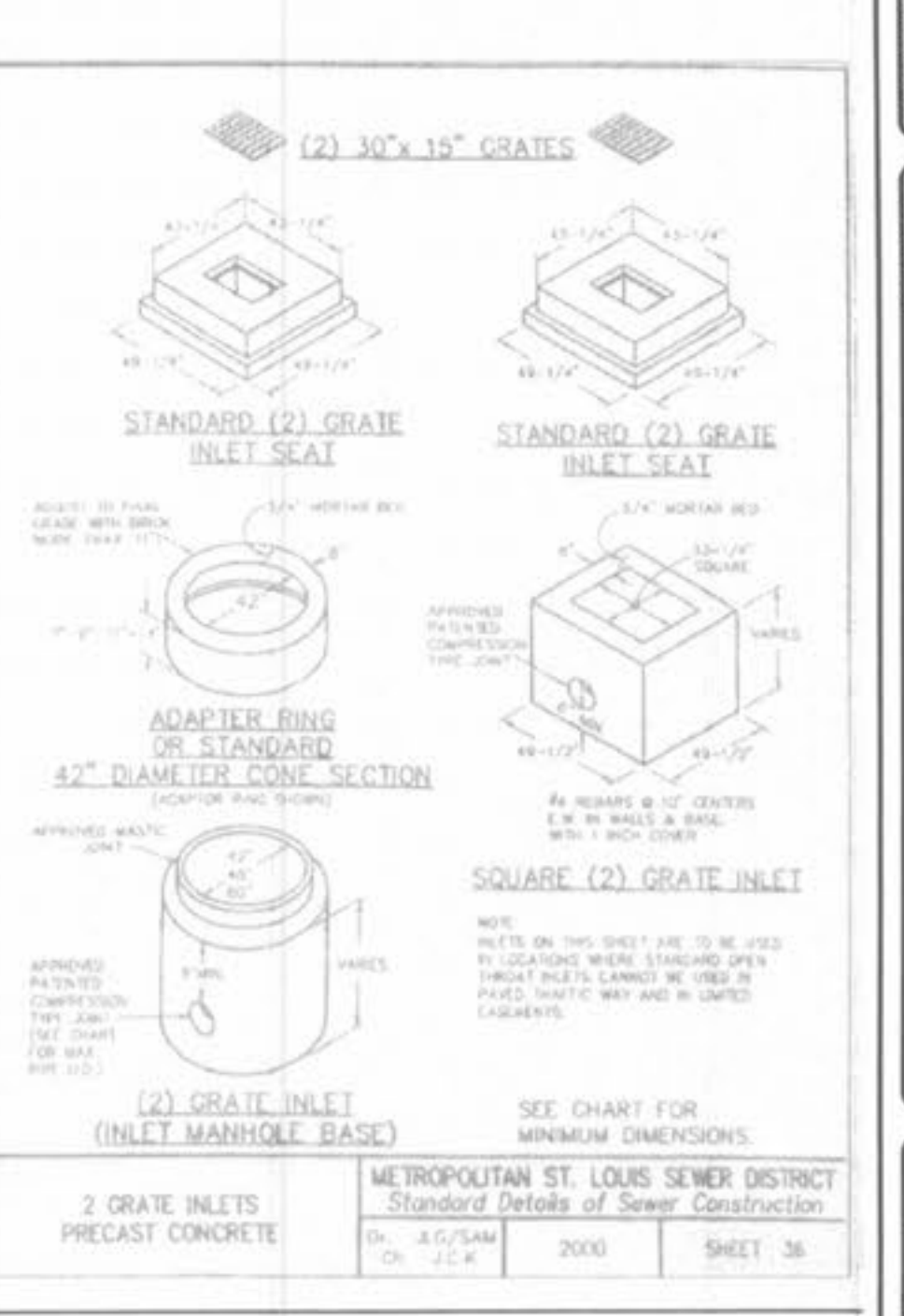
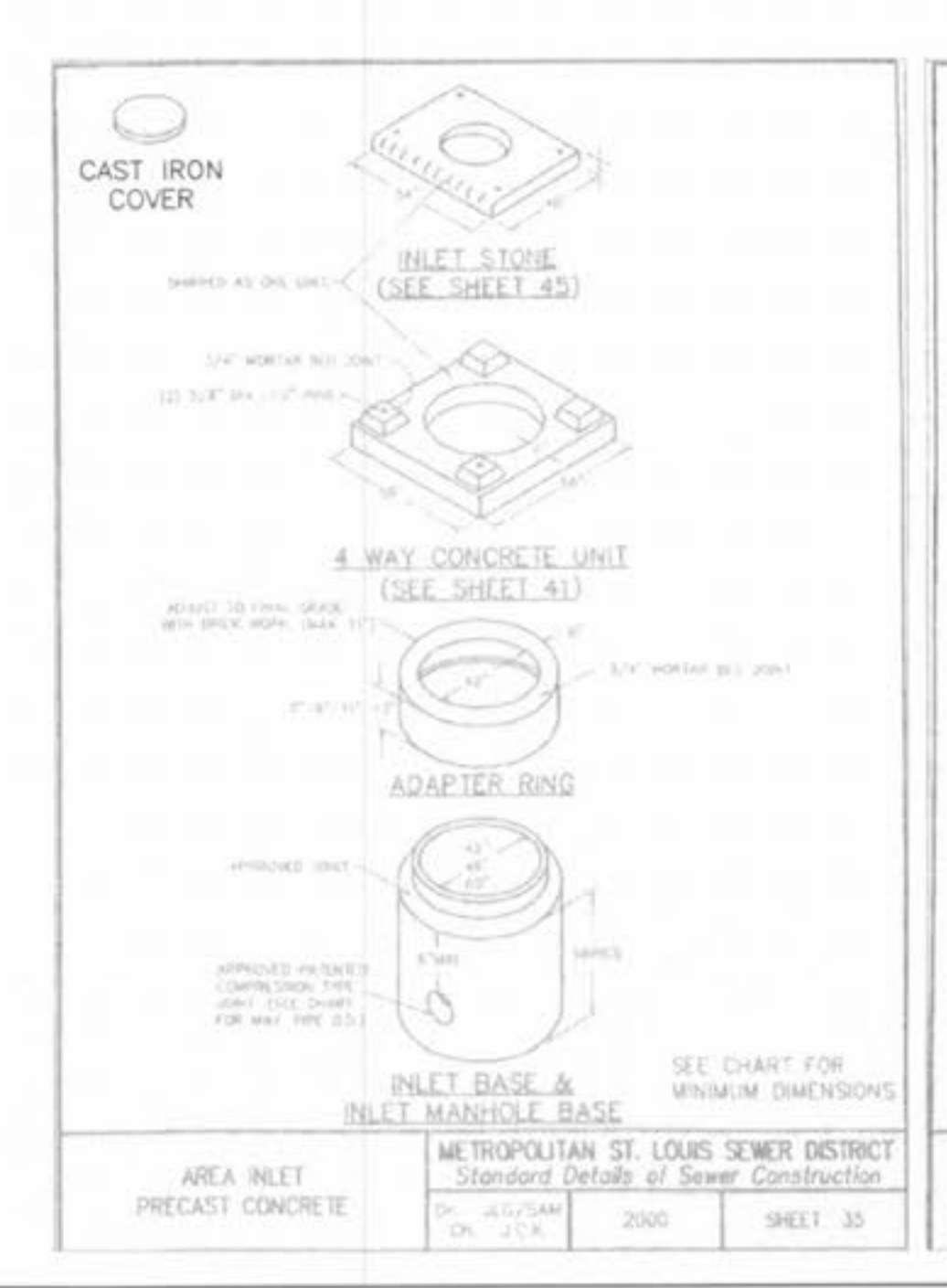
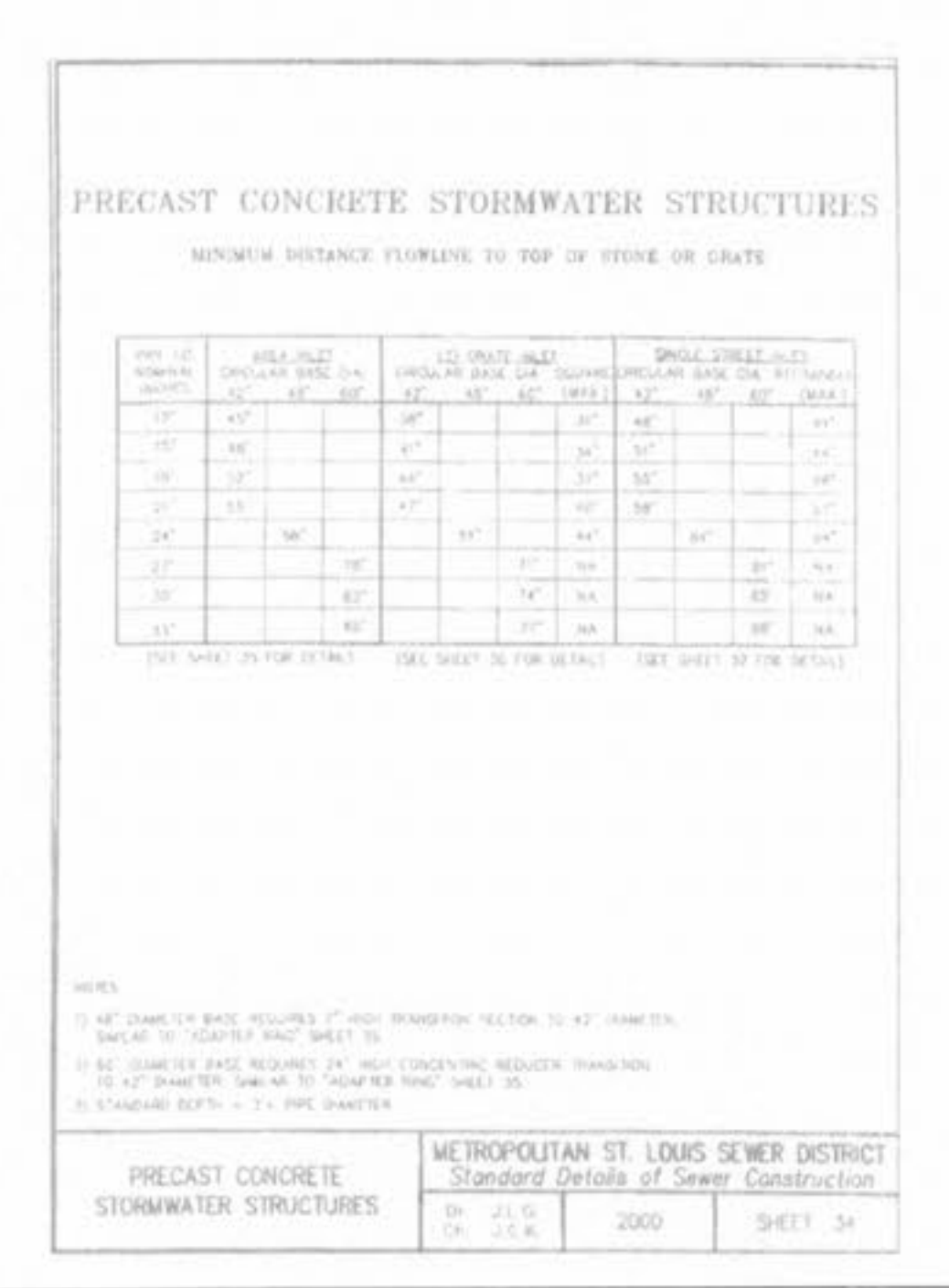
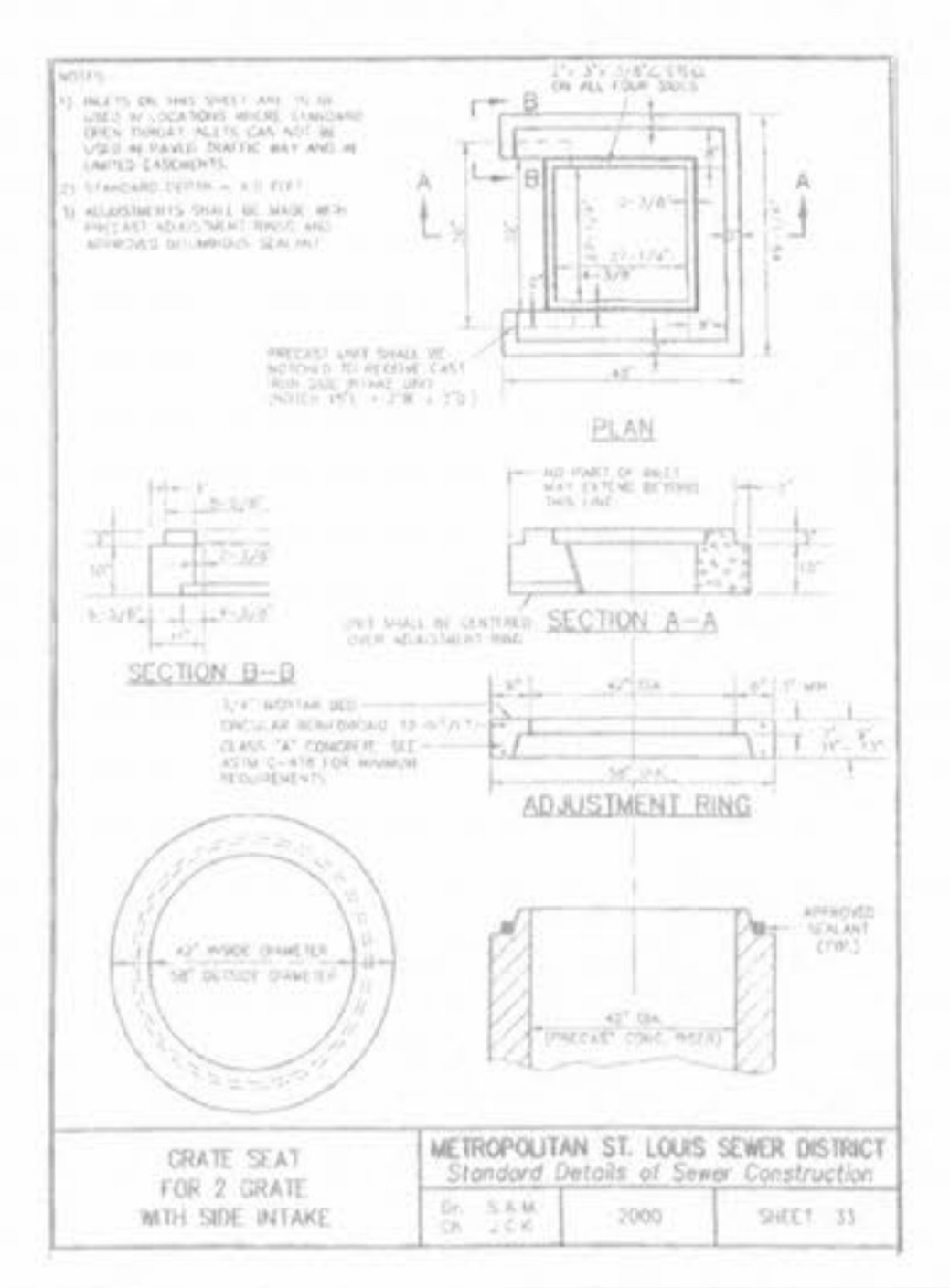
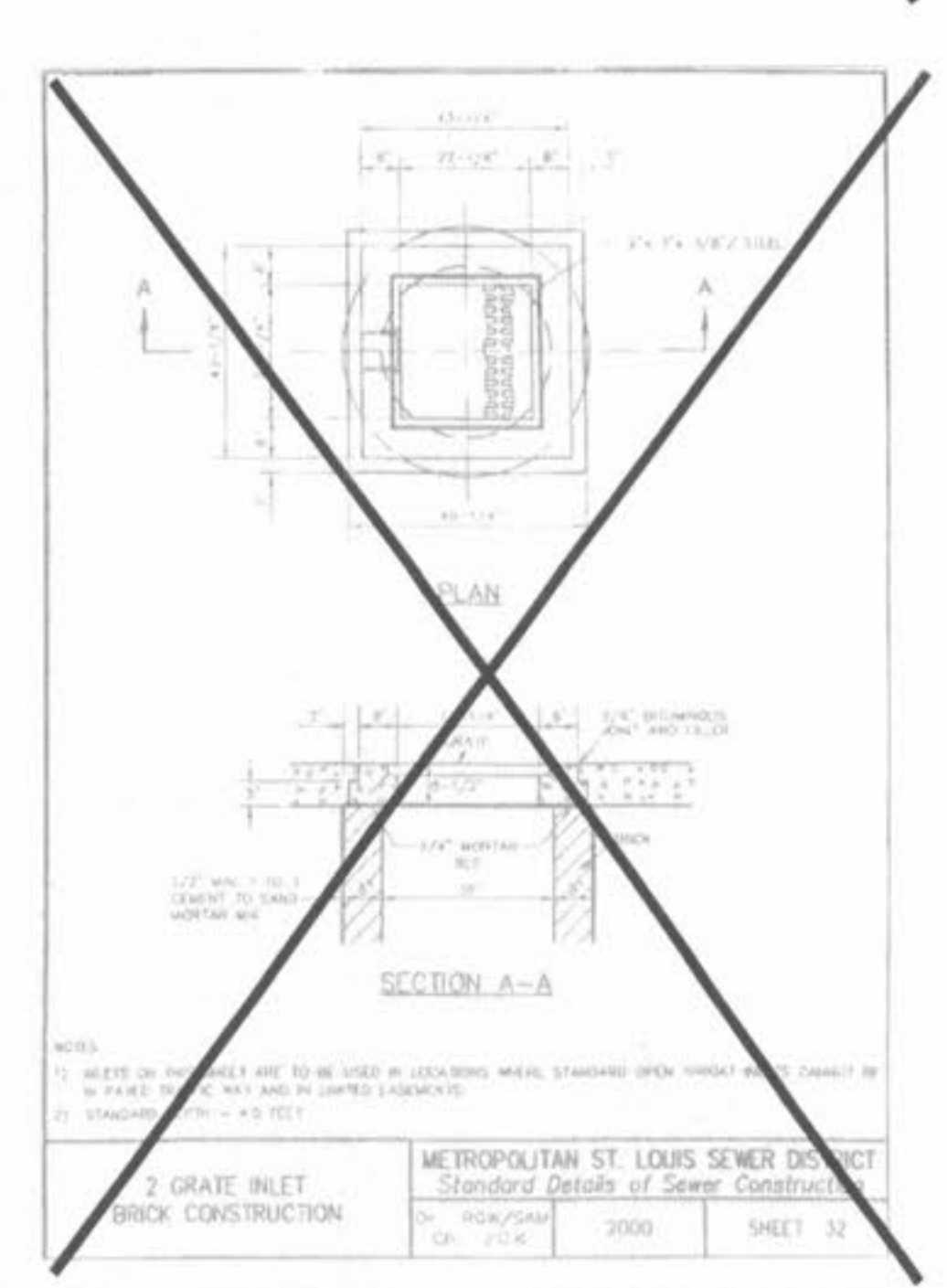
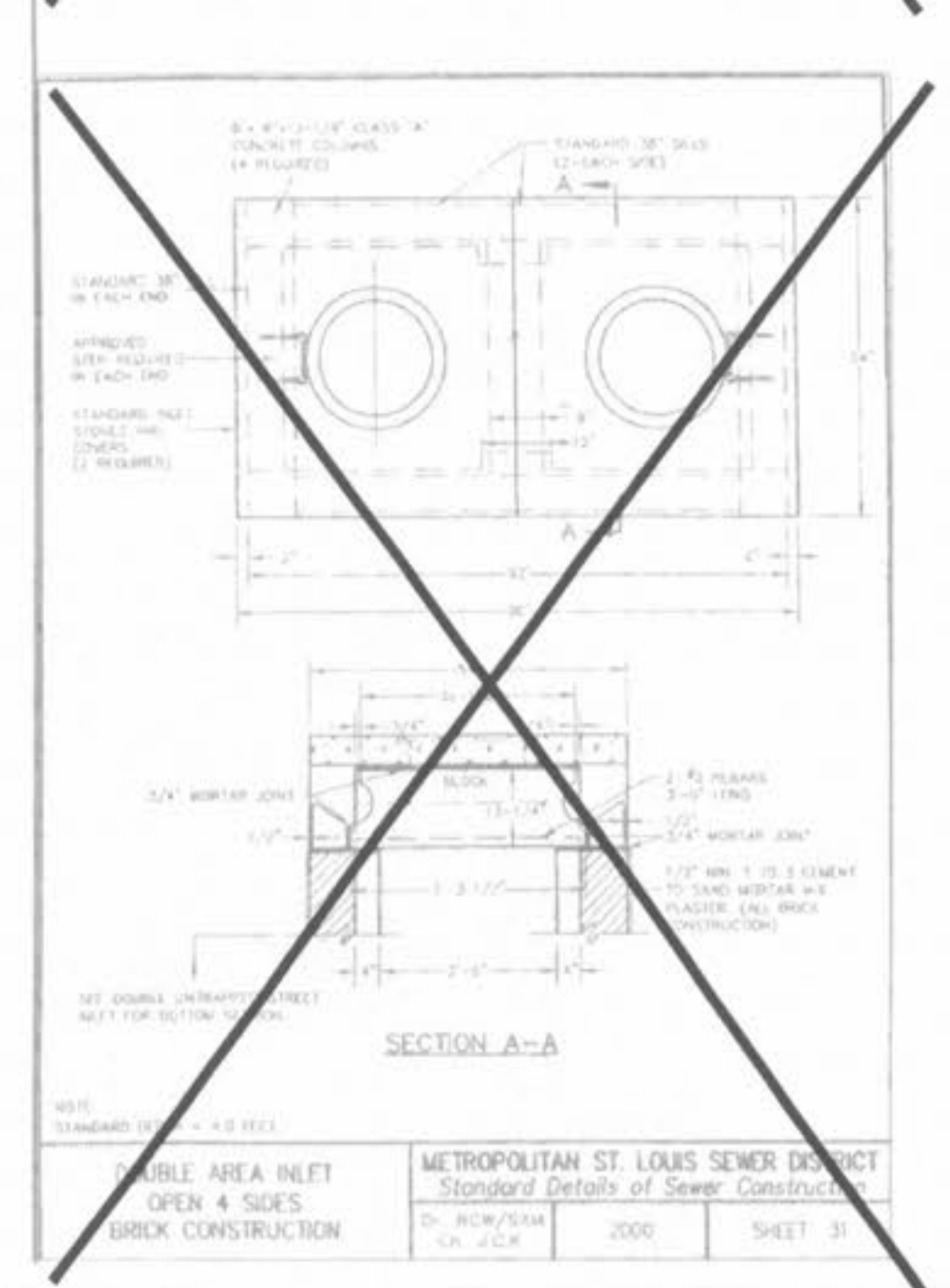
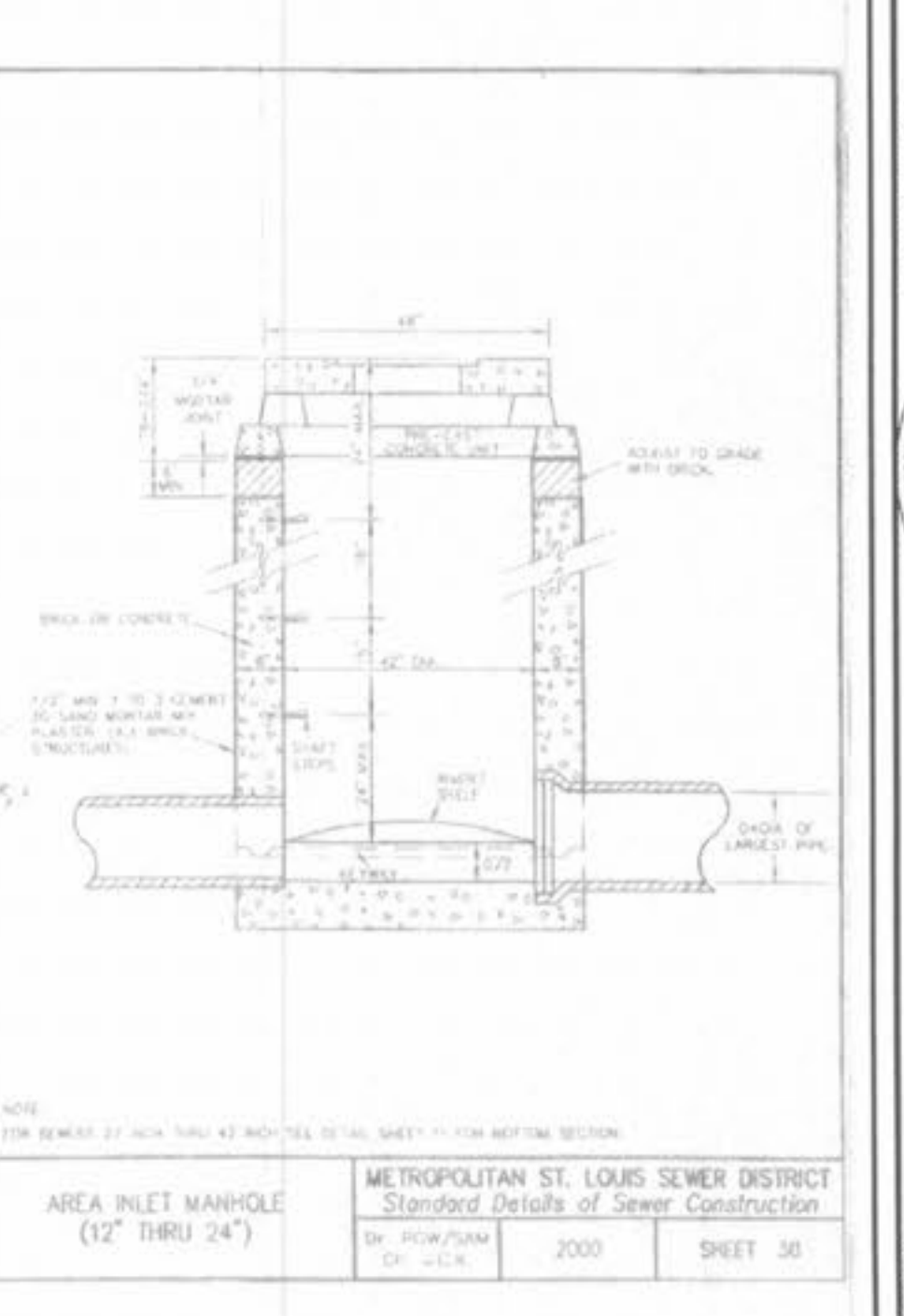
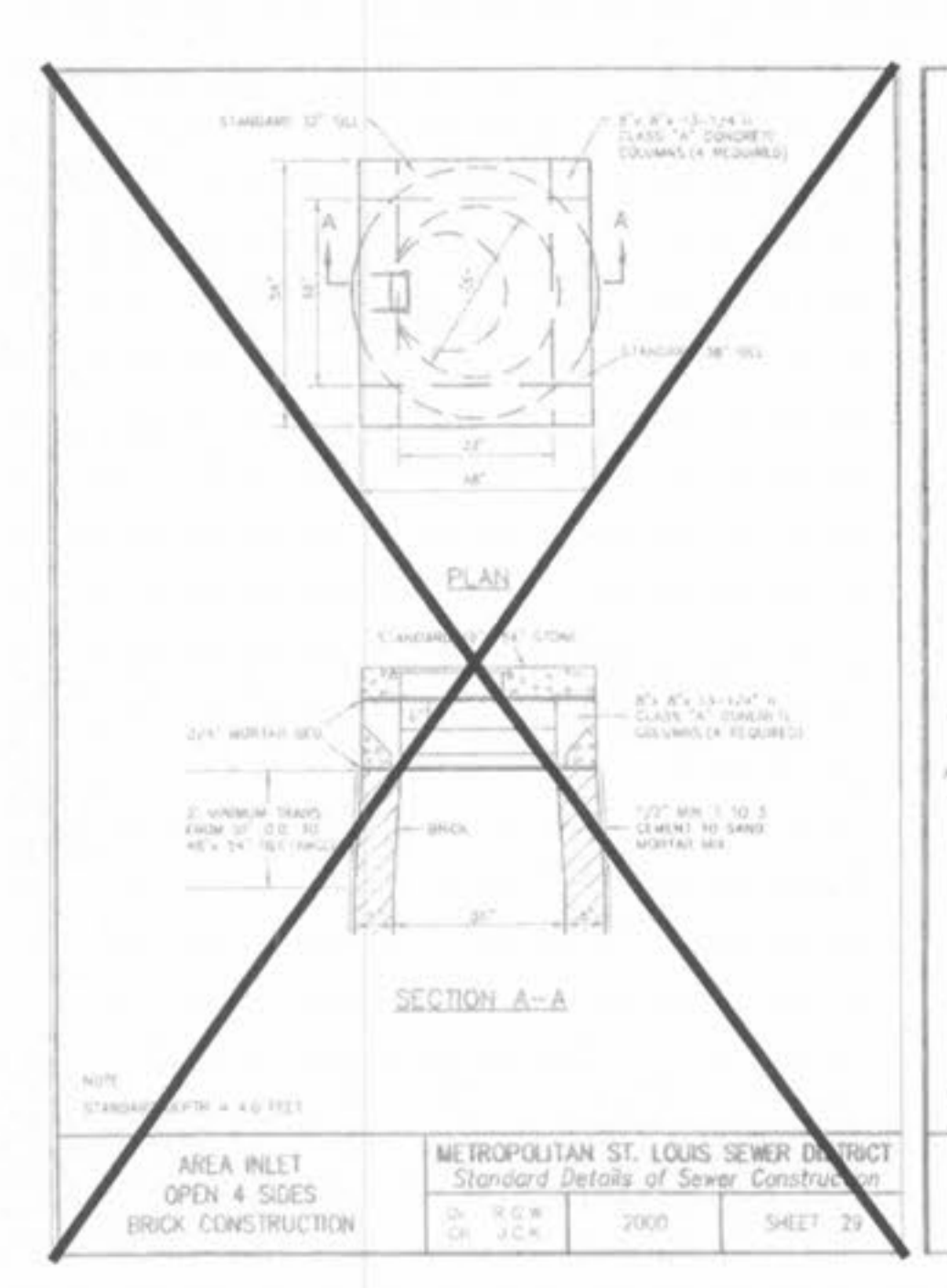
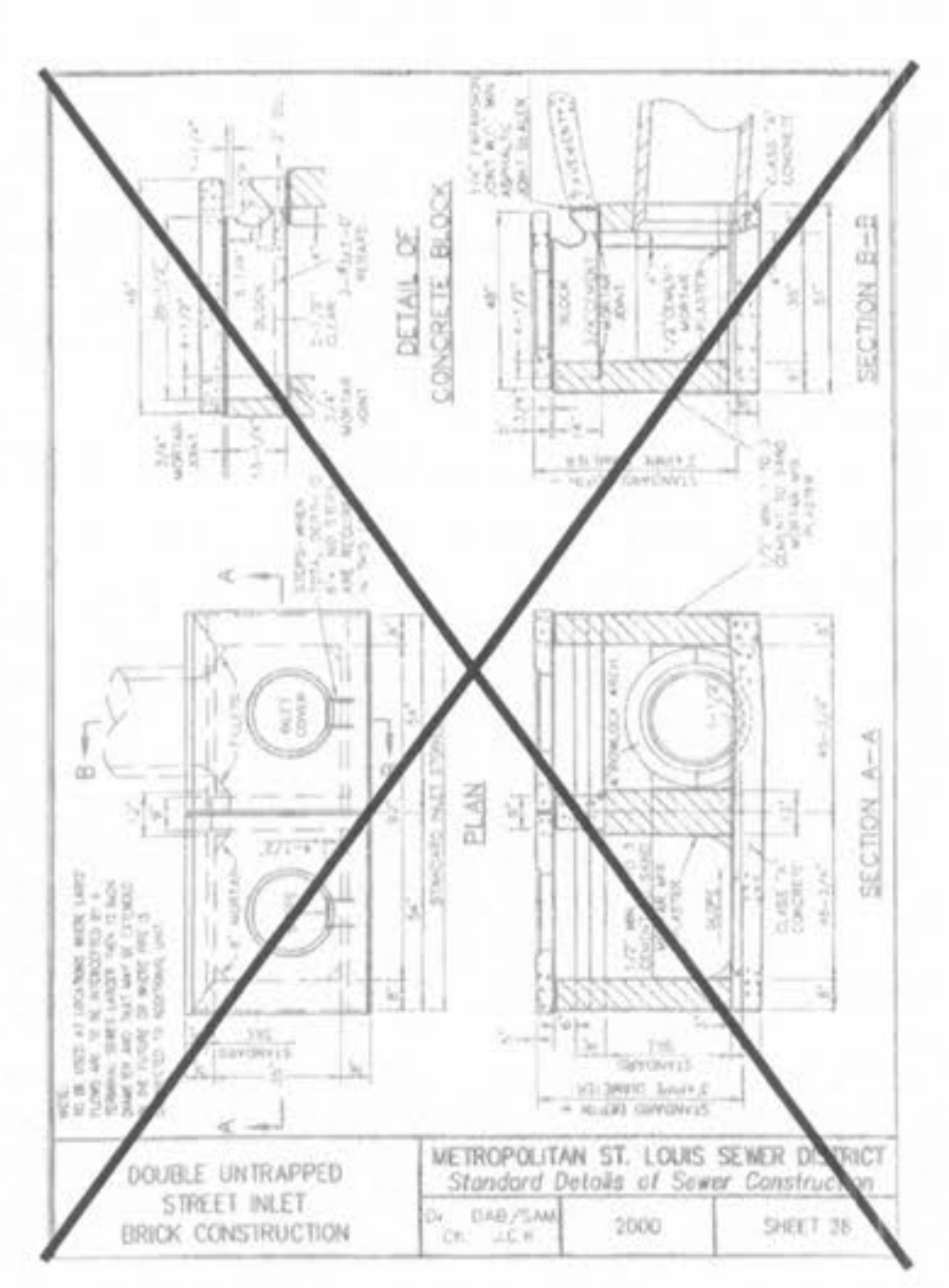
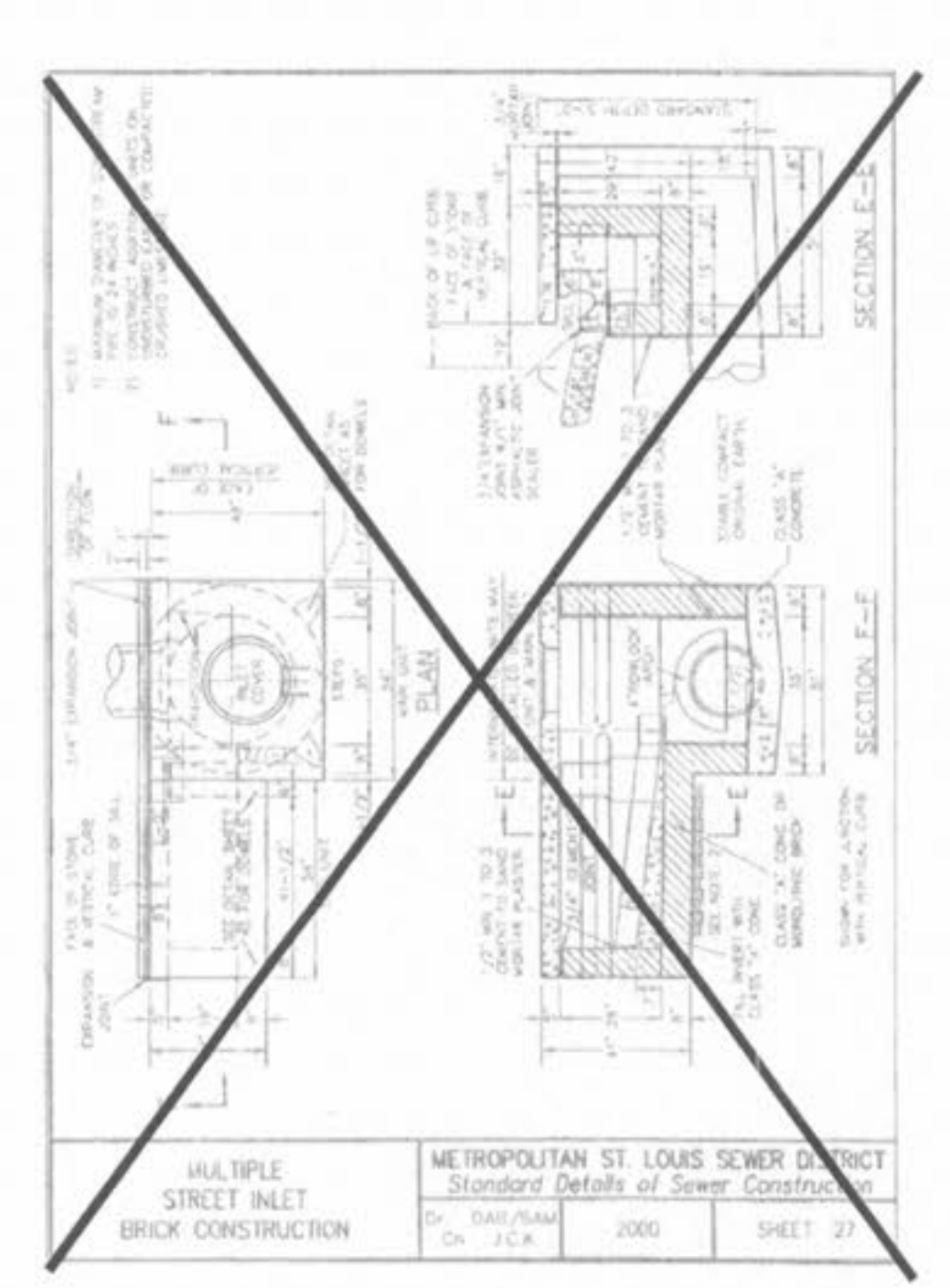
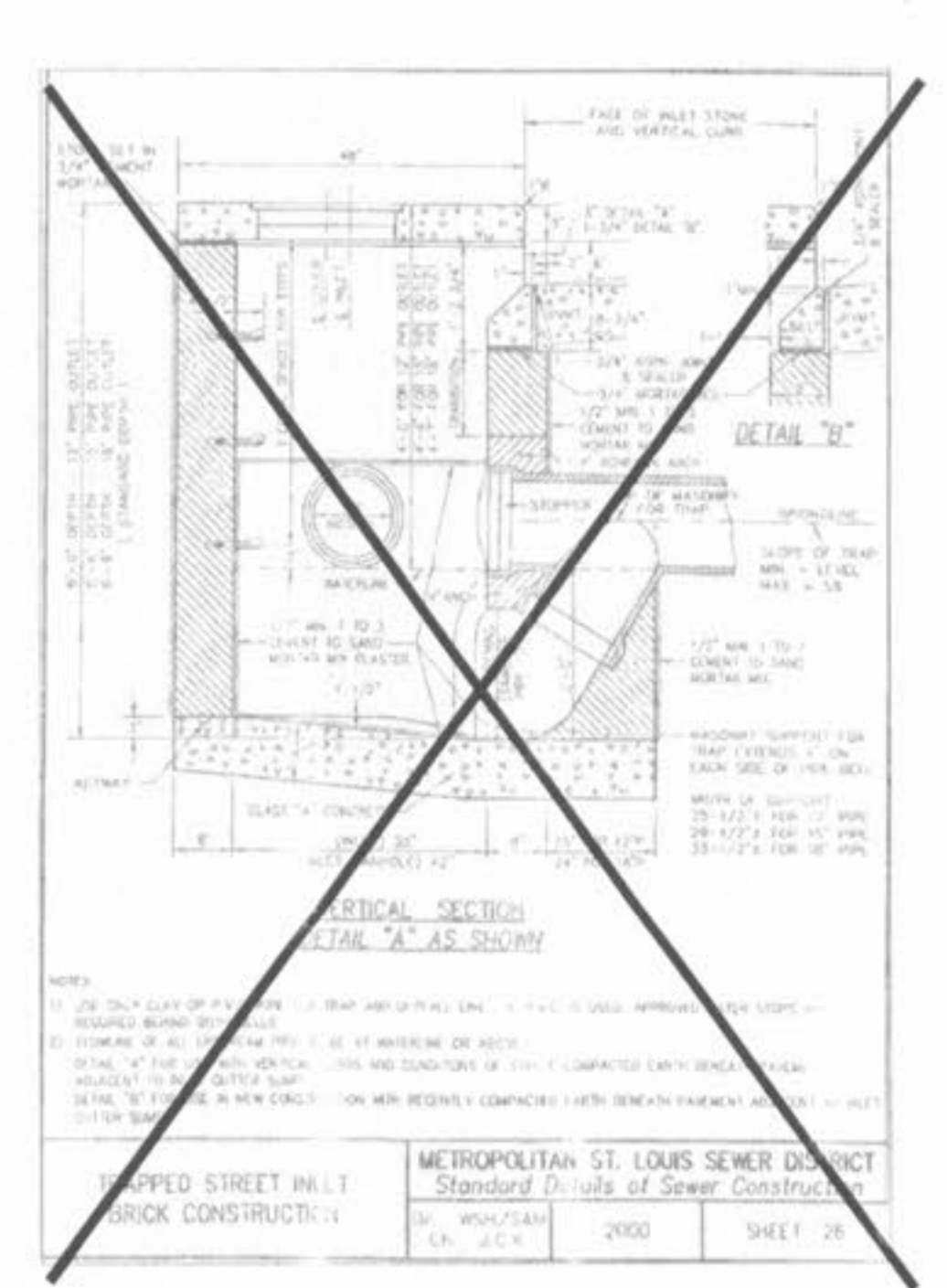
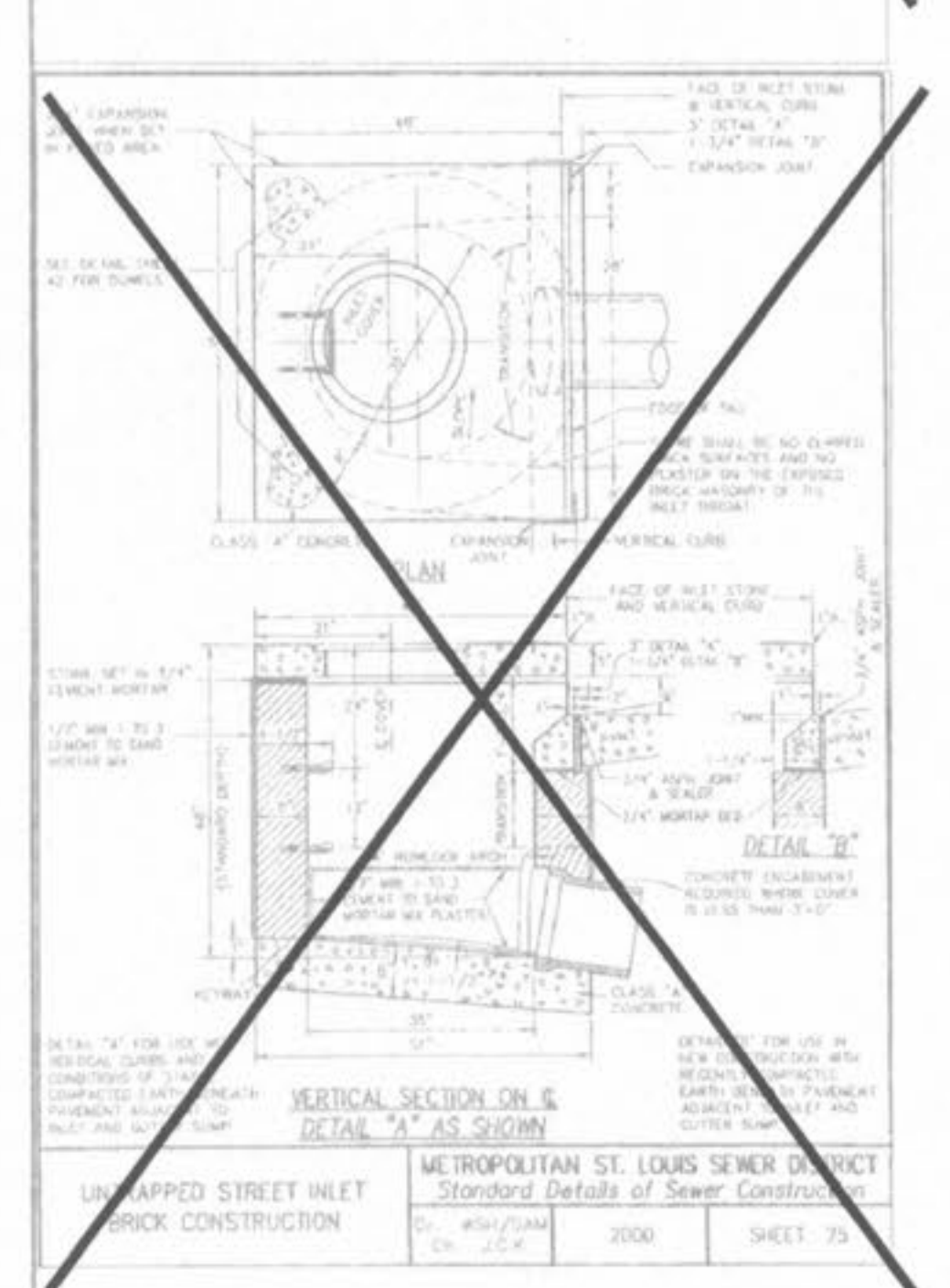
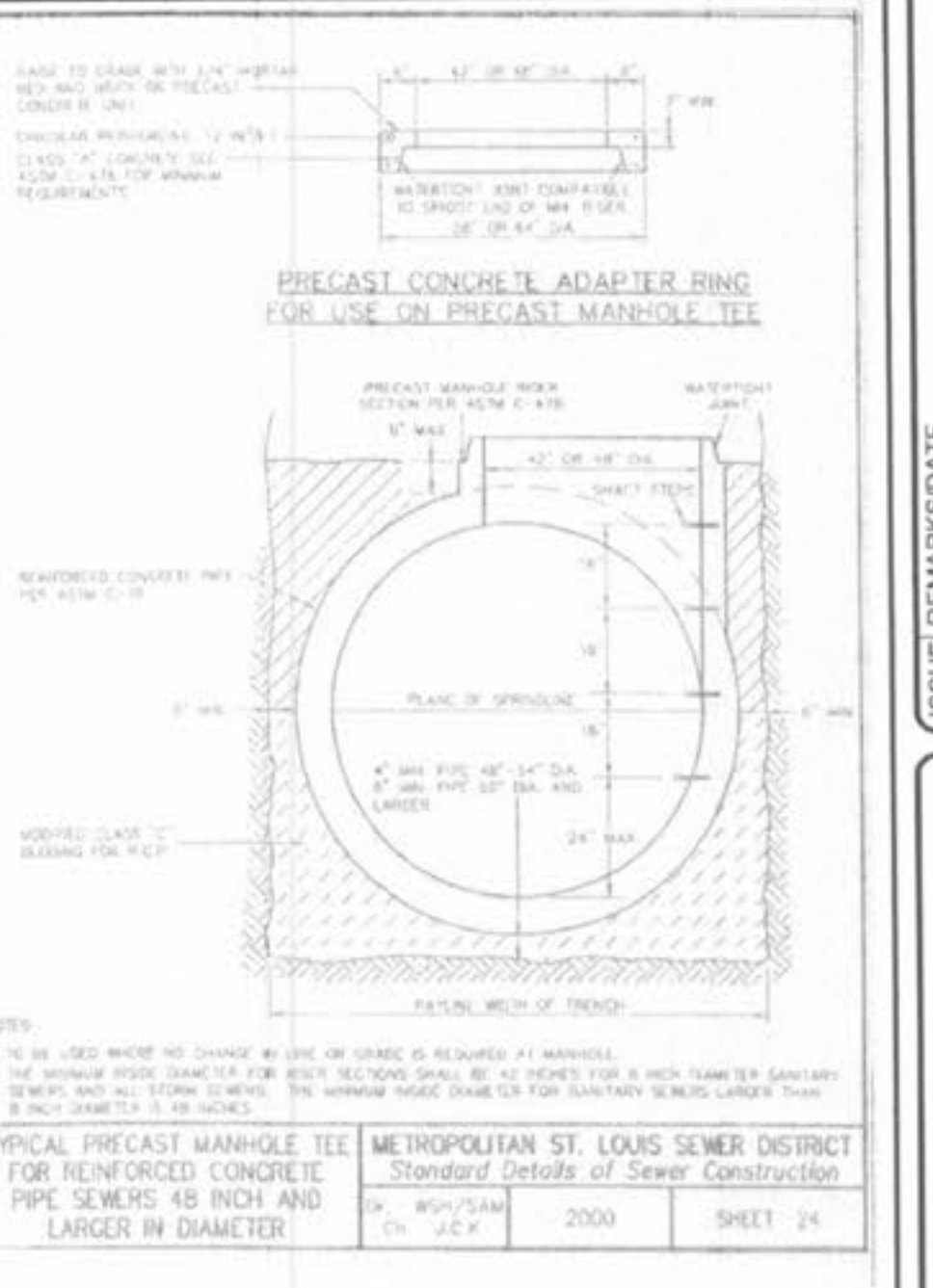
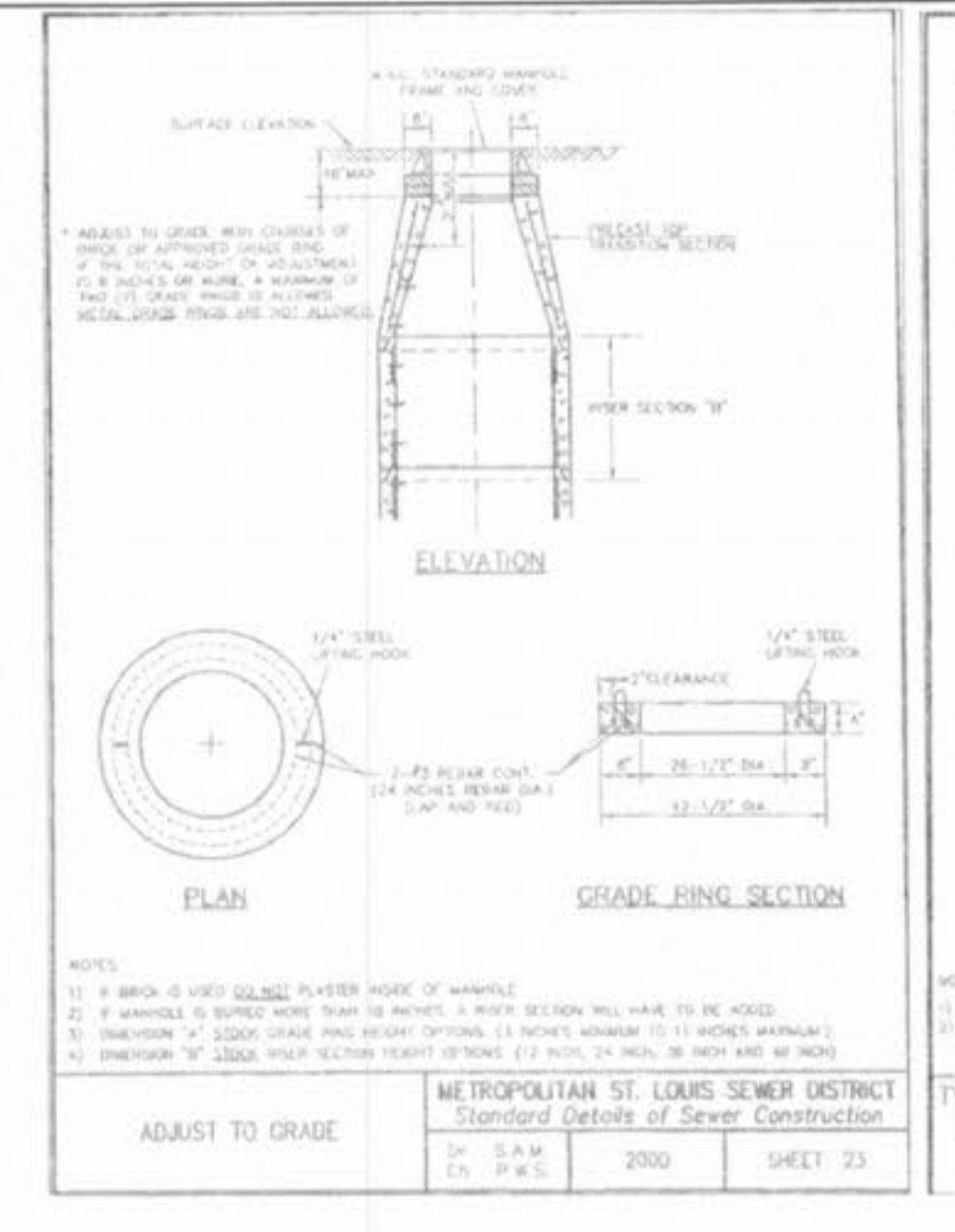
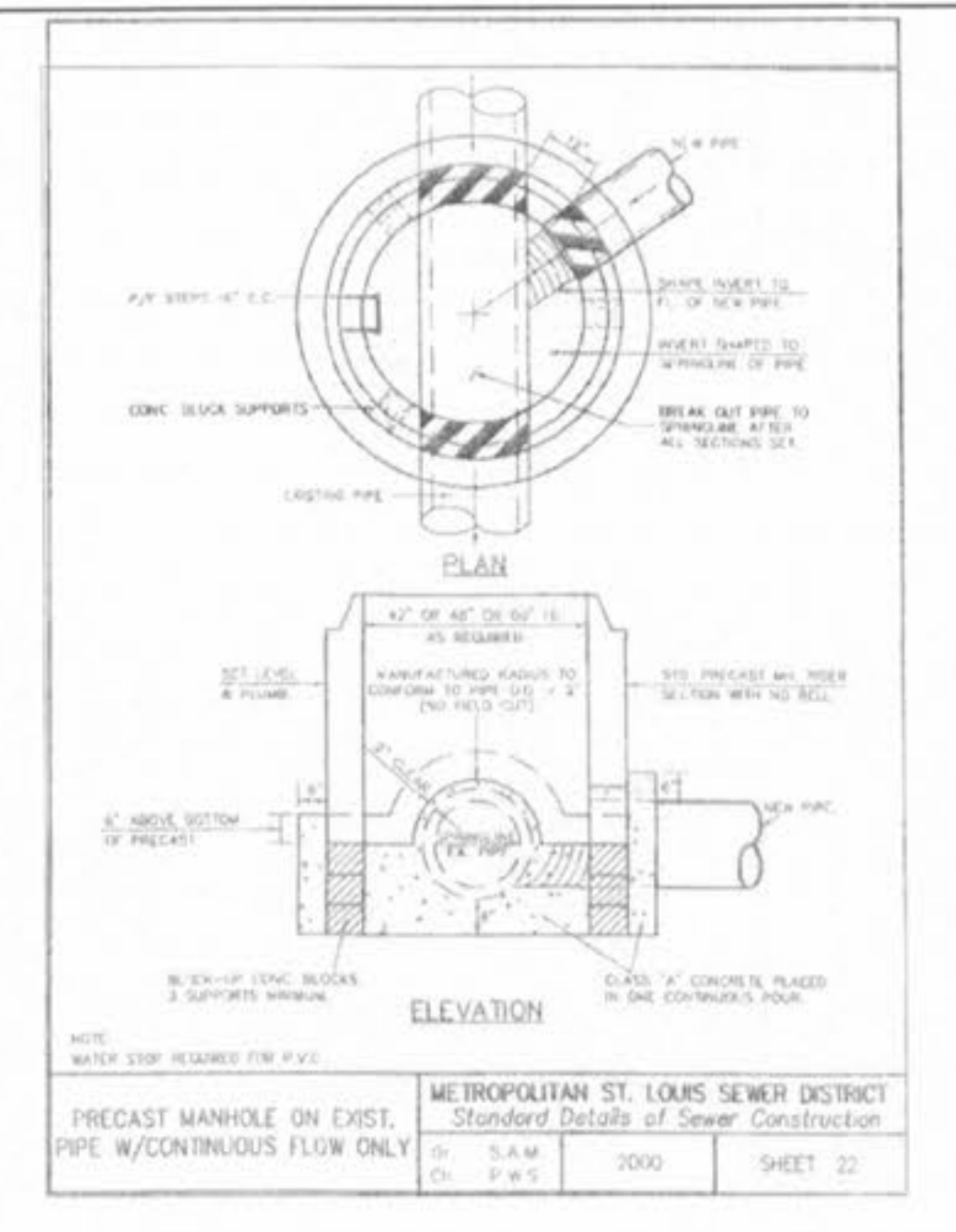
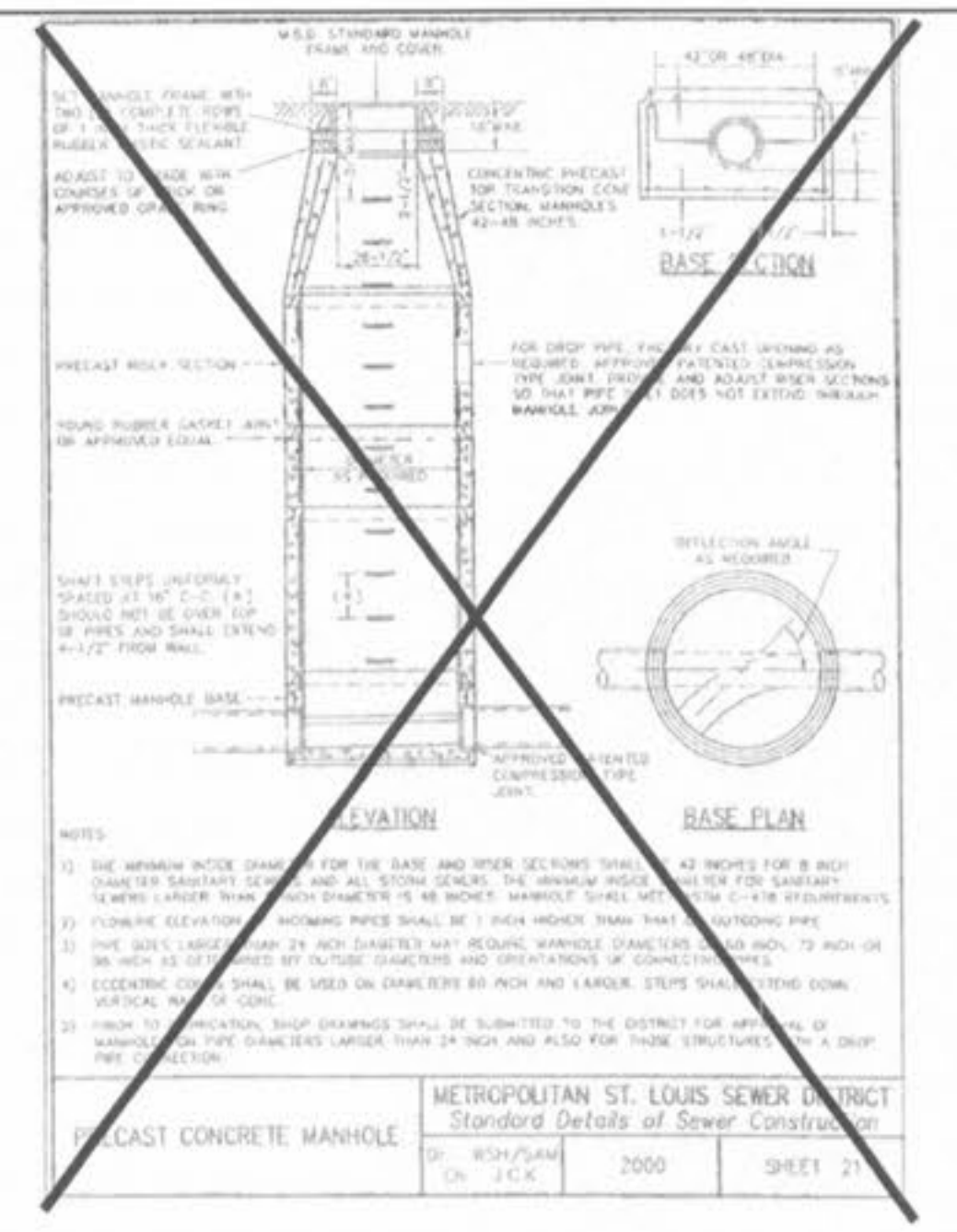
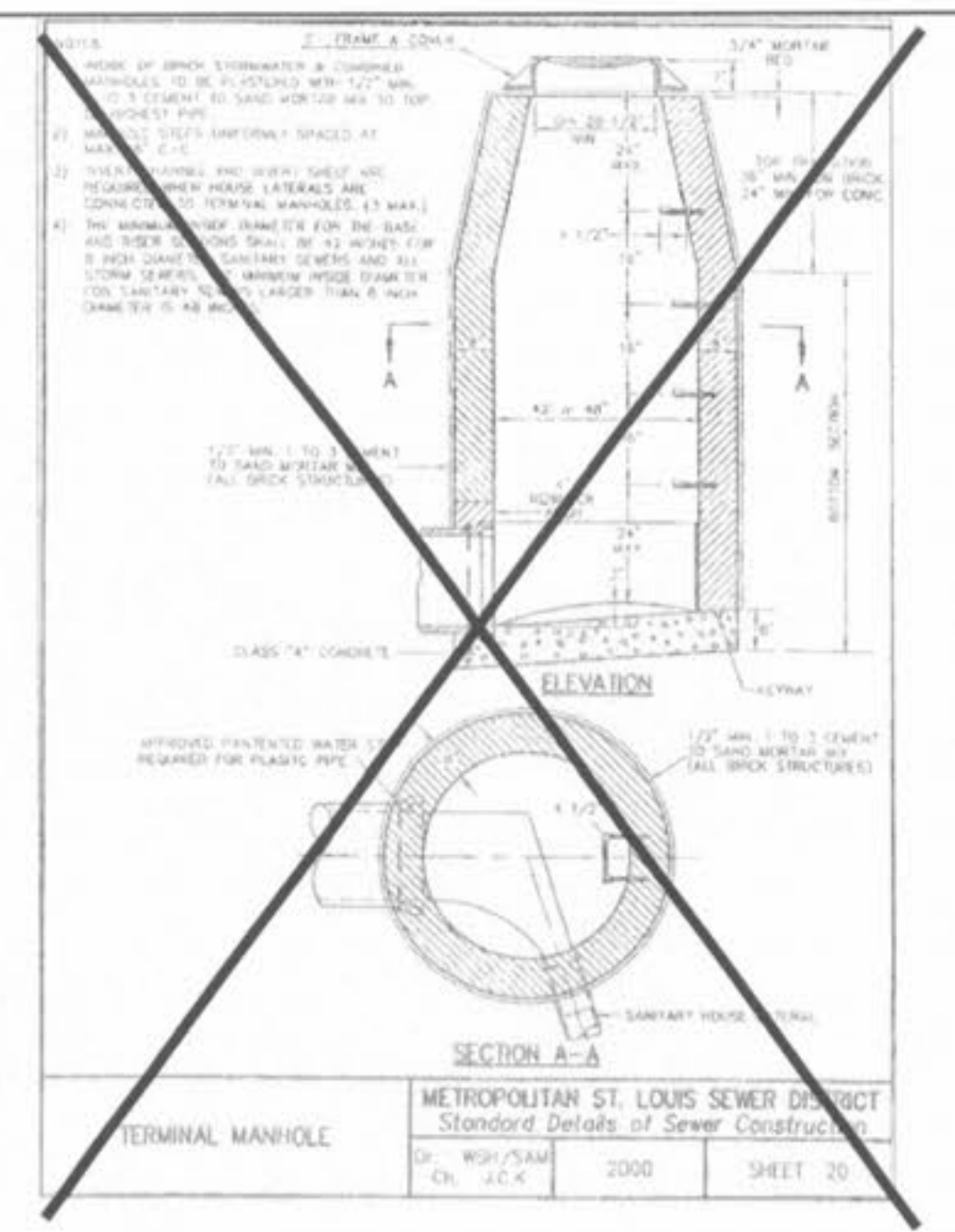
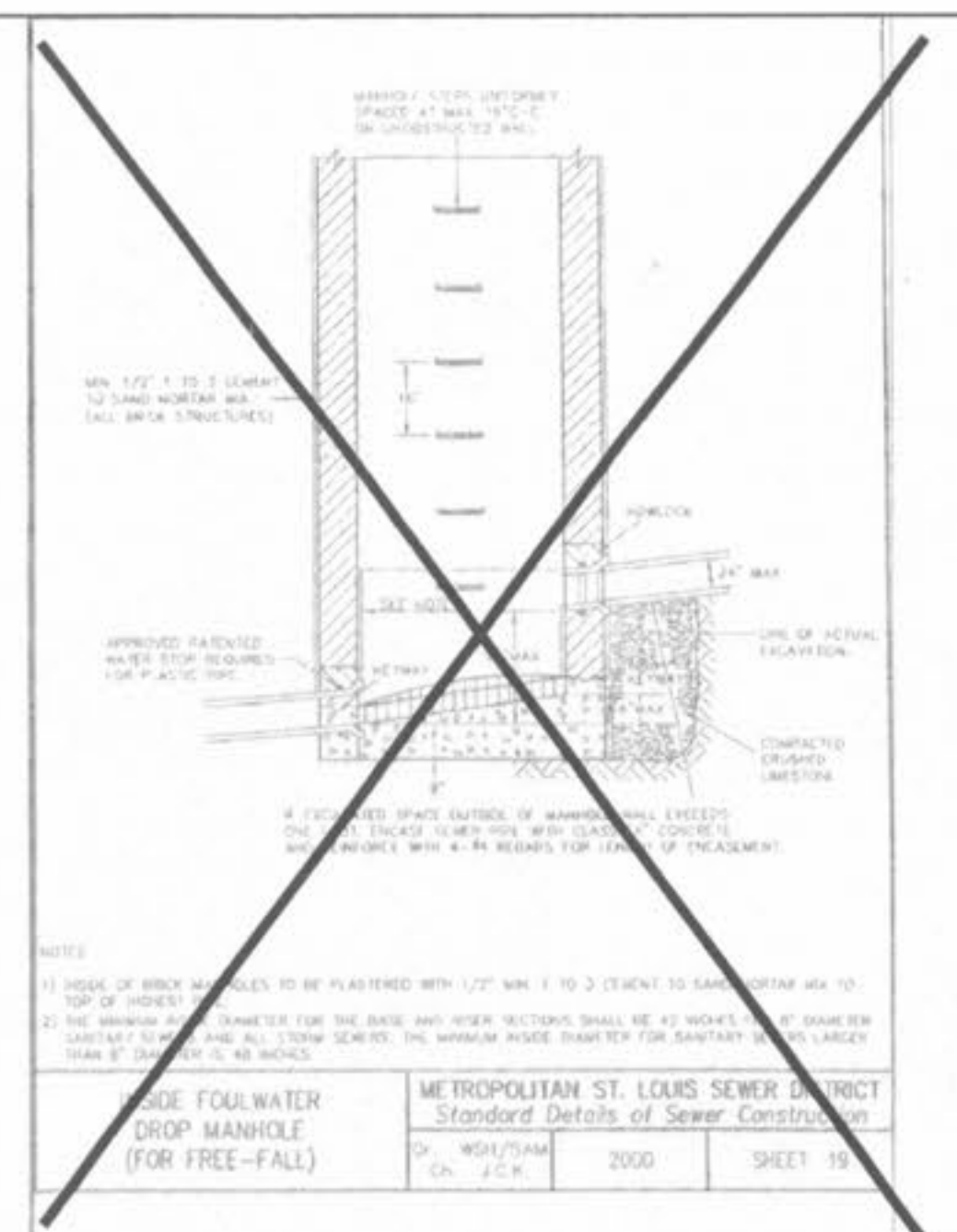


Drawing name: K:\0312269 Springshurst\Improvements\22690DETAILS.dwg Plotted on: Aug 06, 2005 - 9:00am Plotted by: jankovich



ISSUE REMARKS/DATE

NO.	DATE	REVISION
1	03-02-05	FIRST SUBMITTAL
2	04-04-05	REVISED PER CCSD COMMENTS
3	05-25-05	REVISED PER CITY OF FALLON COMMENTS
4	06-07-05	REVISED PER PWS&W COMMENTS
5	06-09-05	REVISED PER PWS&W COMMENTS
6	06-27-05	REVISED PER CITY OF FALLON COMMENTS
7	07-14-05	REVISED PER PWS&W COMMENTS
8	08-08-05	REVISED PER CITY OF FALLON COMMENTS

PREPARED FOR:  
**THE STERLING CO.**  
 ENGINEERS & SURVEYORS  
 5095 NEW BAUMGARTNER ROAD  
 ST. LOUIS, MISSOURI 63129  
 (314) 487-0440 FAX 487-8944  
 E-Mail: Sterling@sterling-eng-sur.com

PROJECT:  
**THE VILLAGES AT SPRINGHURST**

DRAWN: [Signature]  
 DESIGNED: [Signature]  
 CHECKED: [Signature]

SHEET TITLE: MSD CONSTRUCTION DETAILS

NO. 03 12 269  
 M.S.D. SHEET  
 PW CD5  
 SIGNAL FILE LOCATION: SERVER=SERV-2  
 DWG=PW