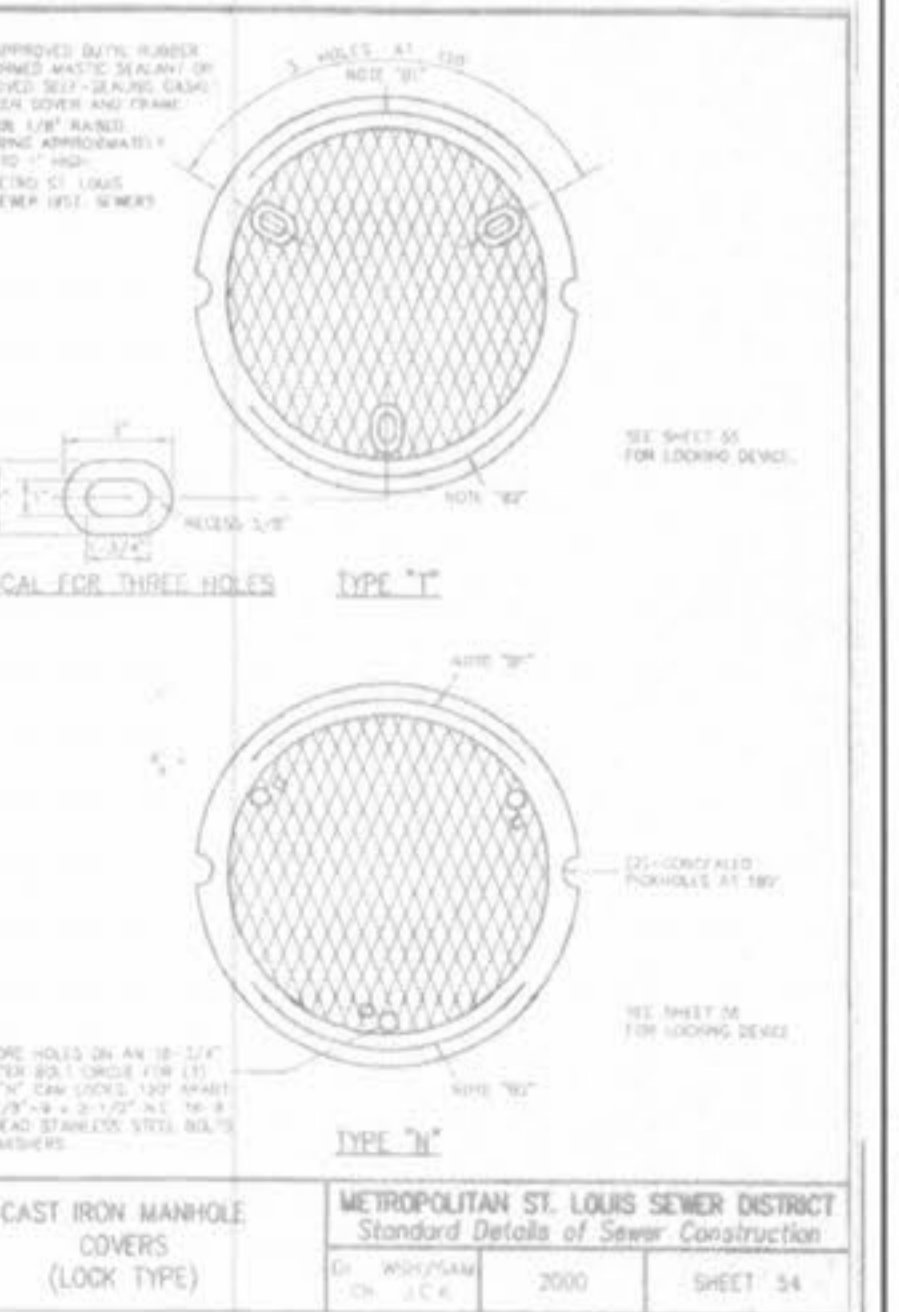
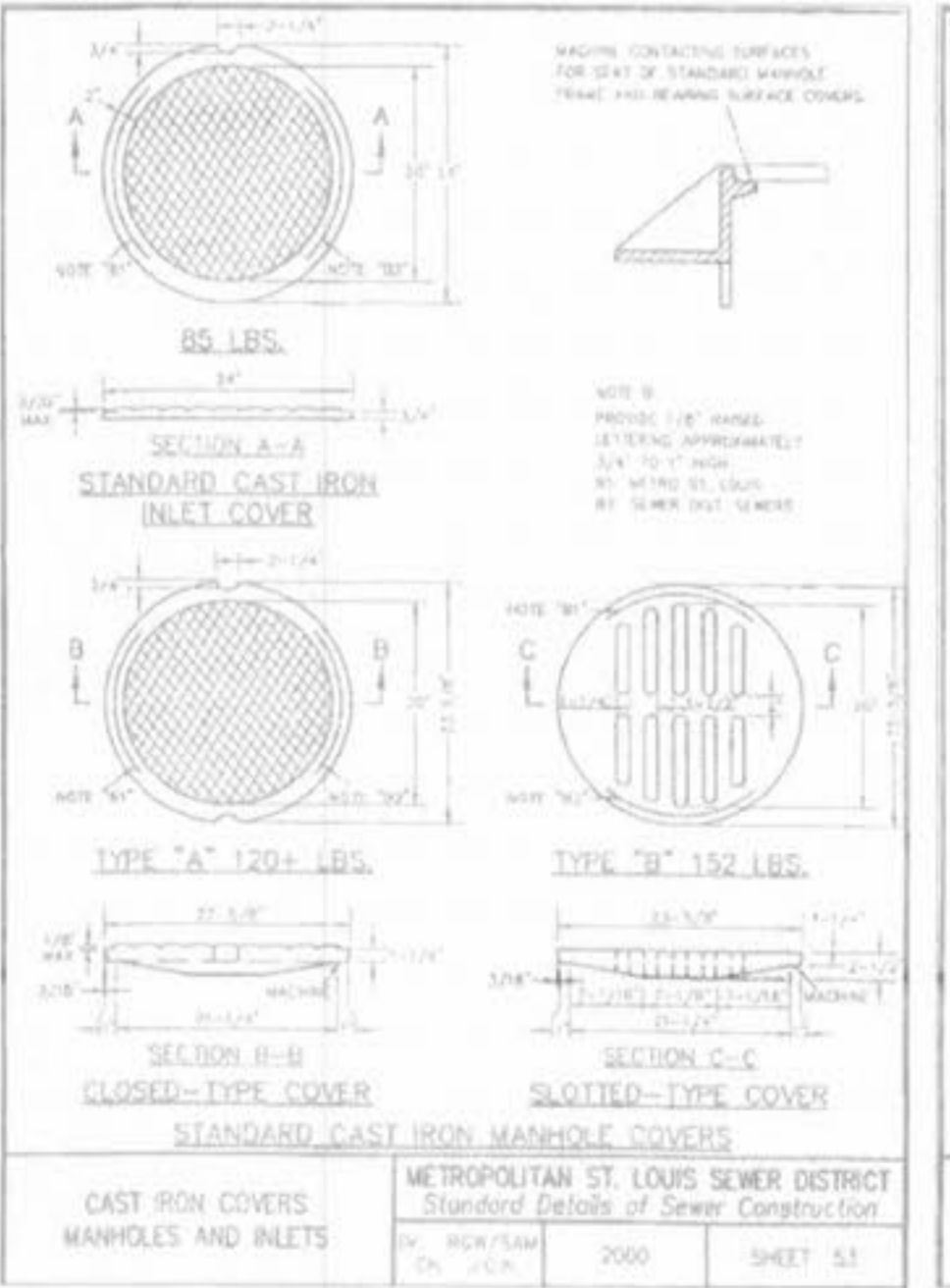
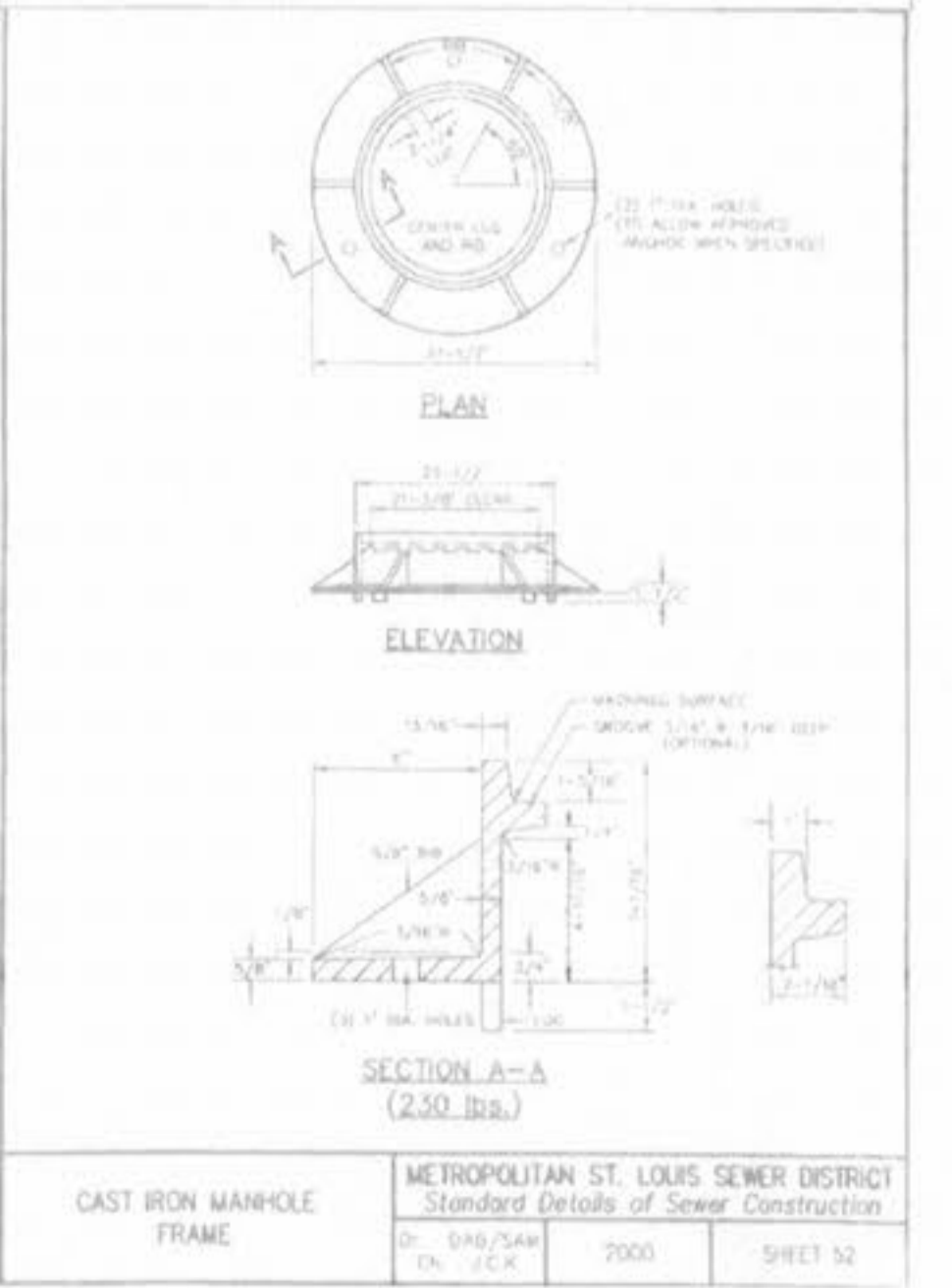
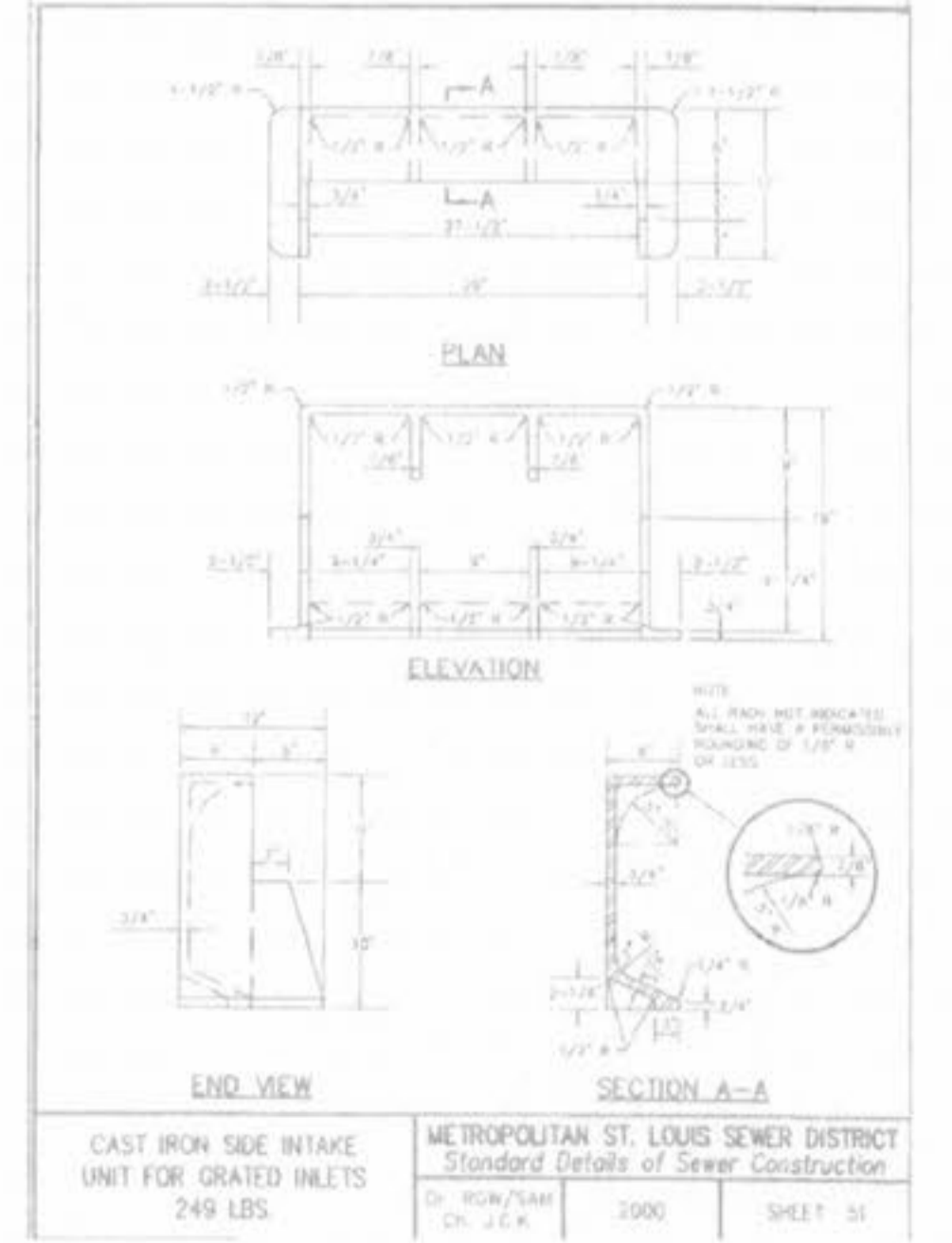
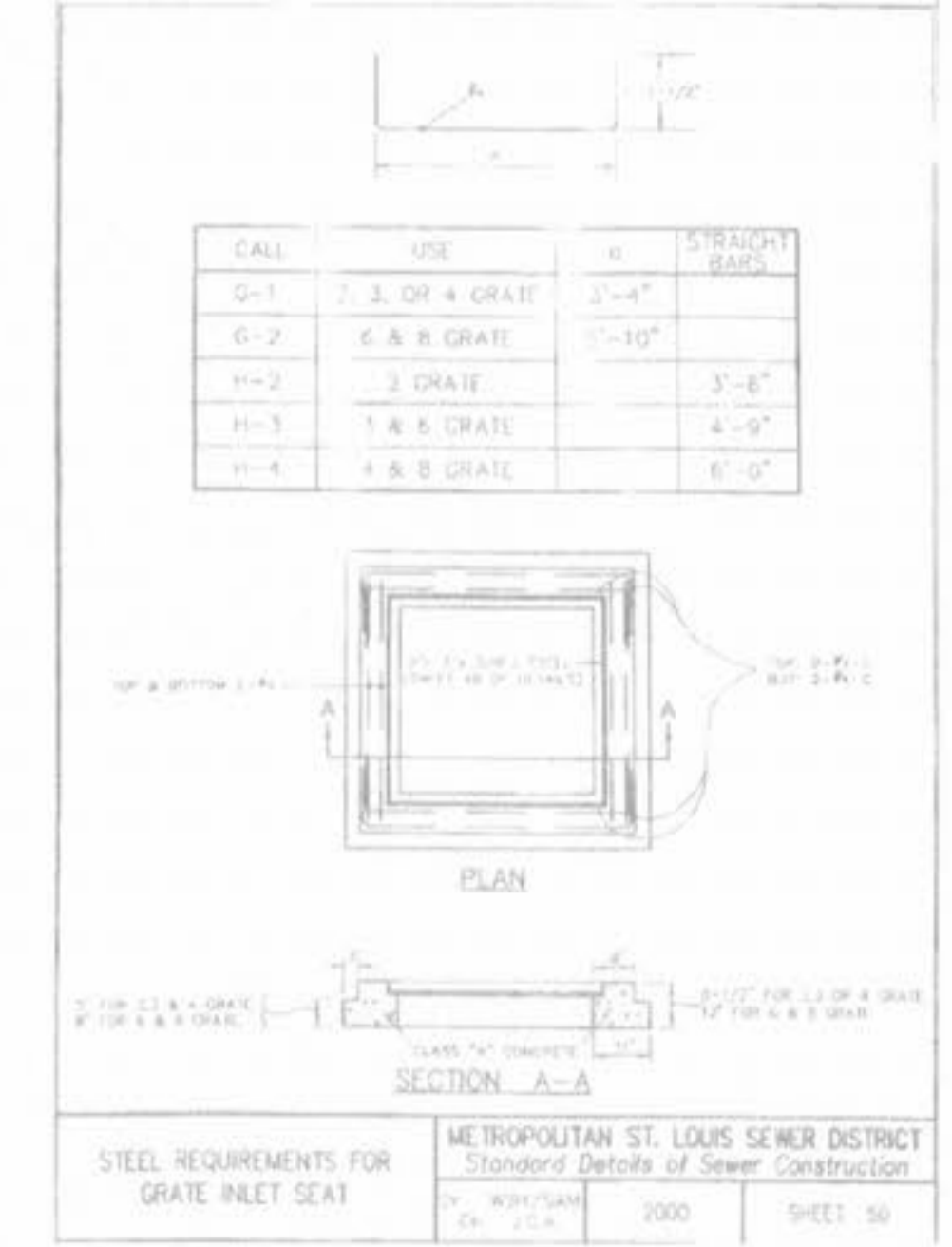
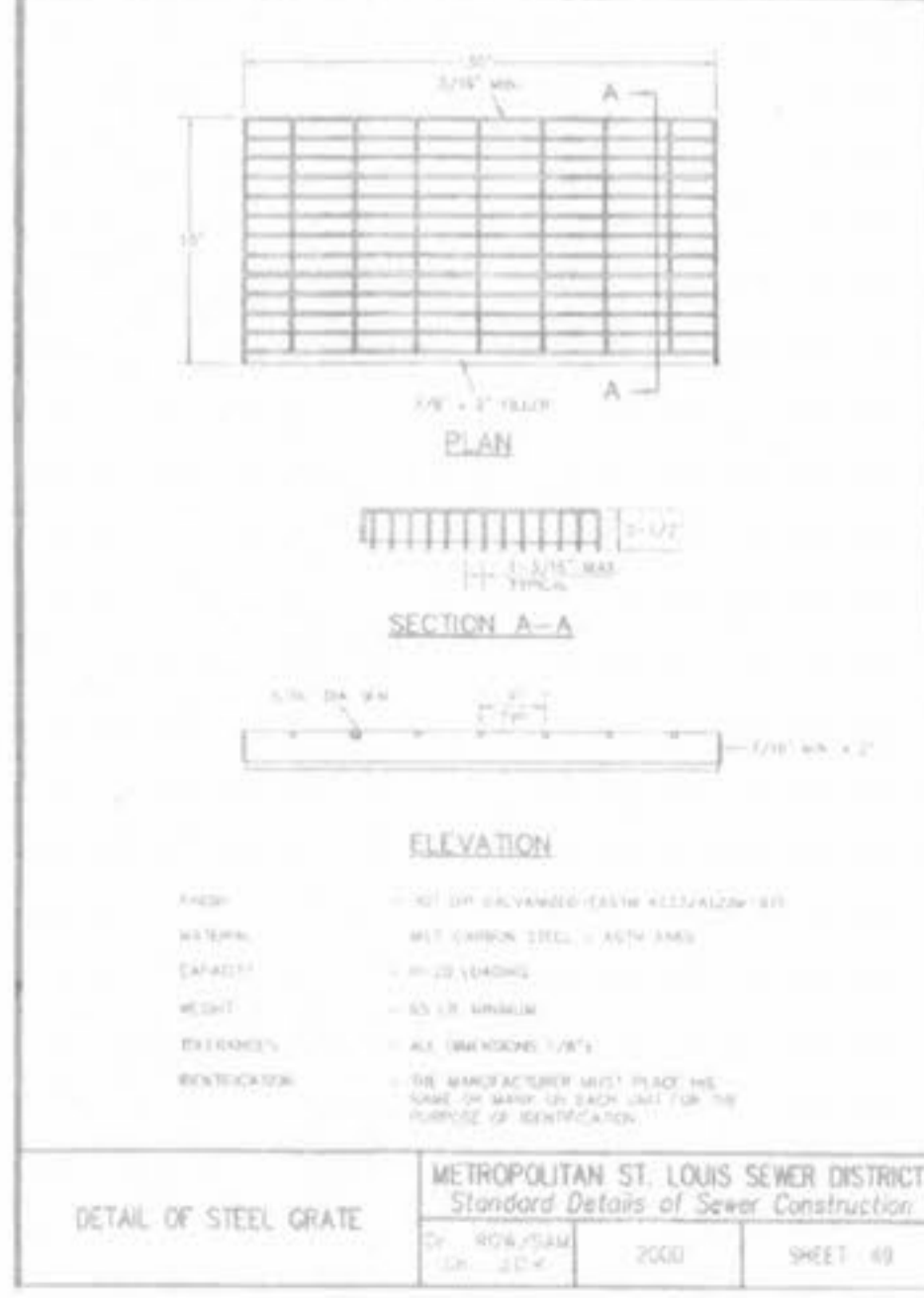
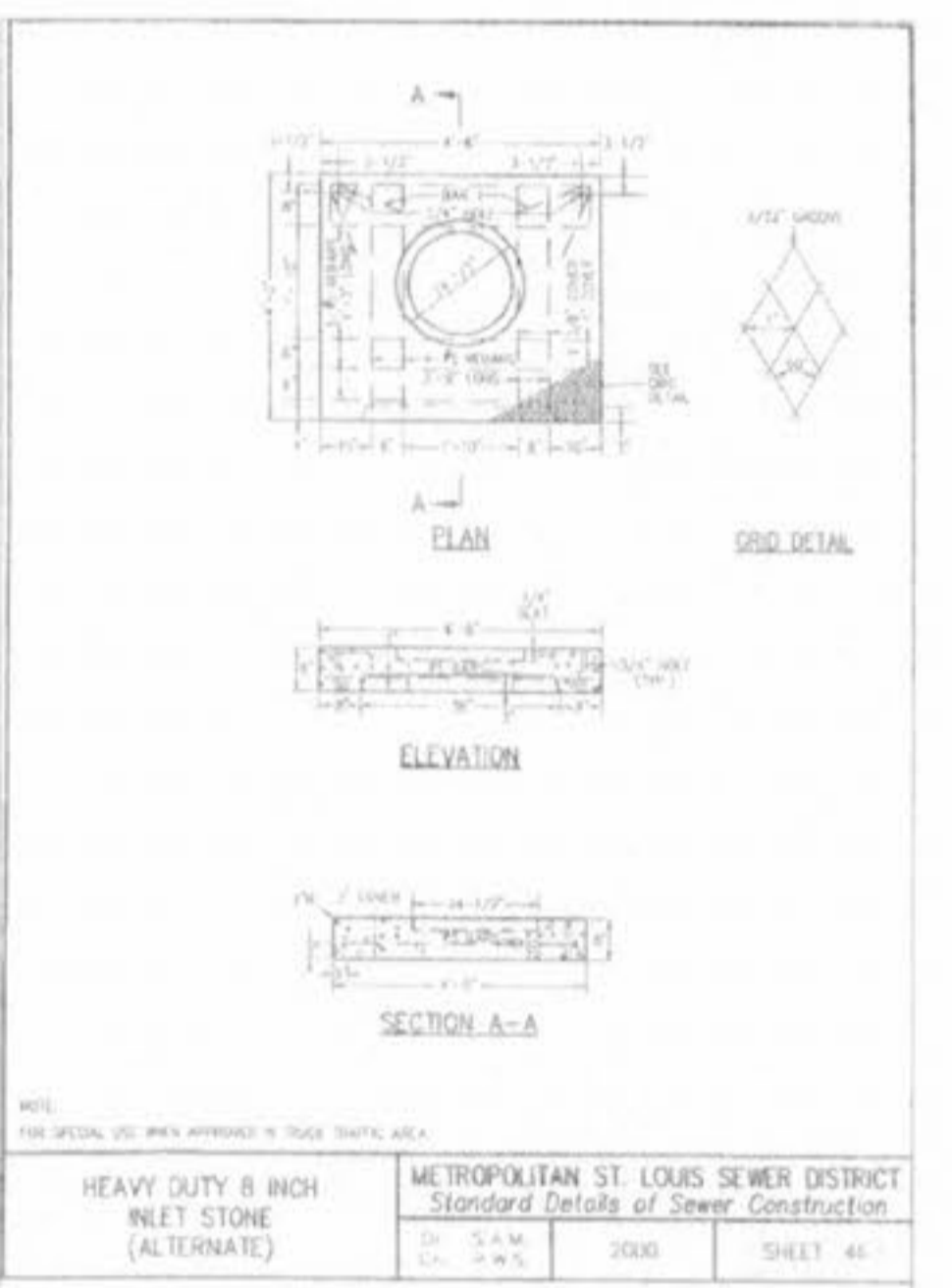
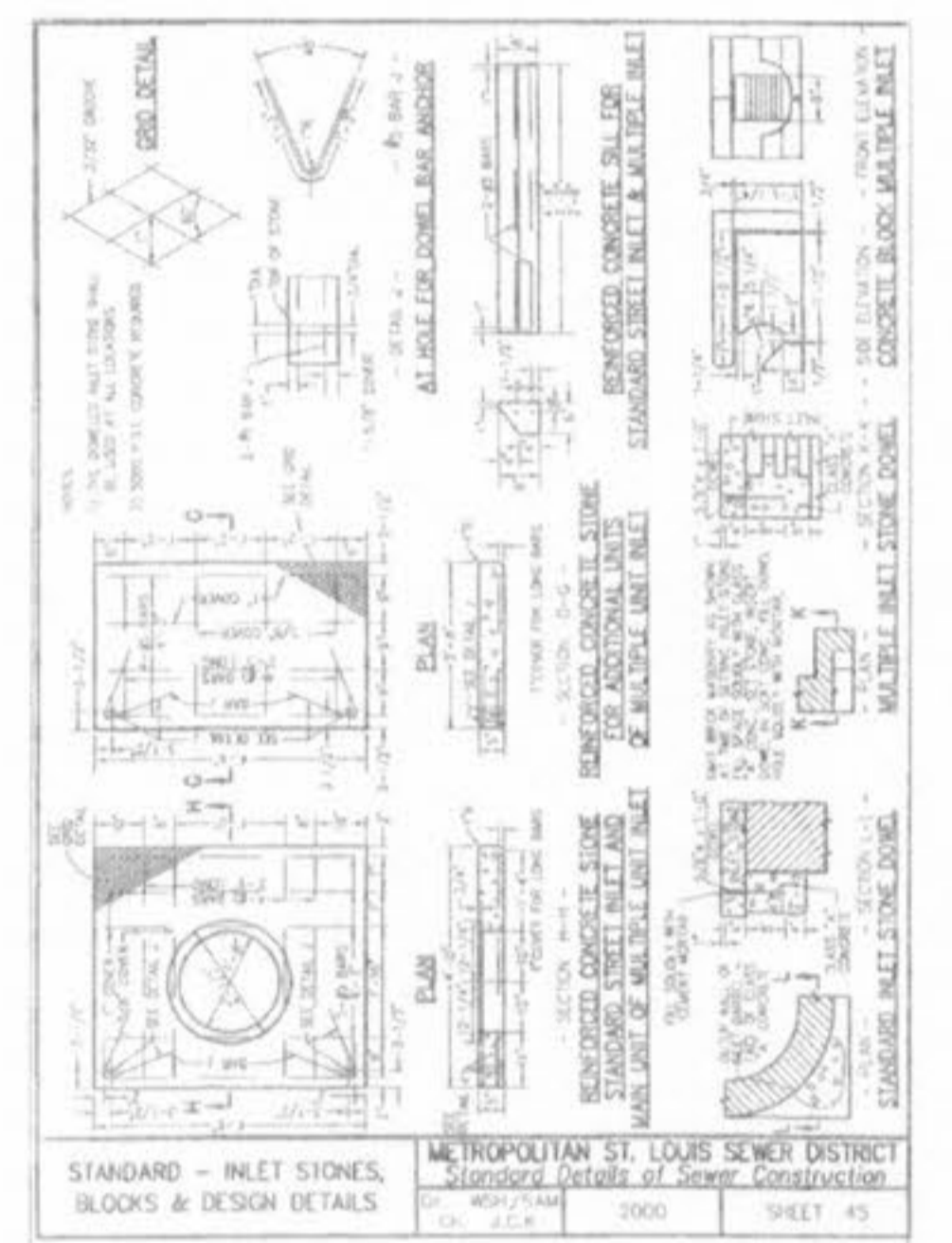
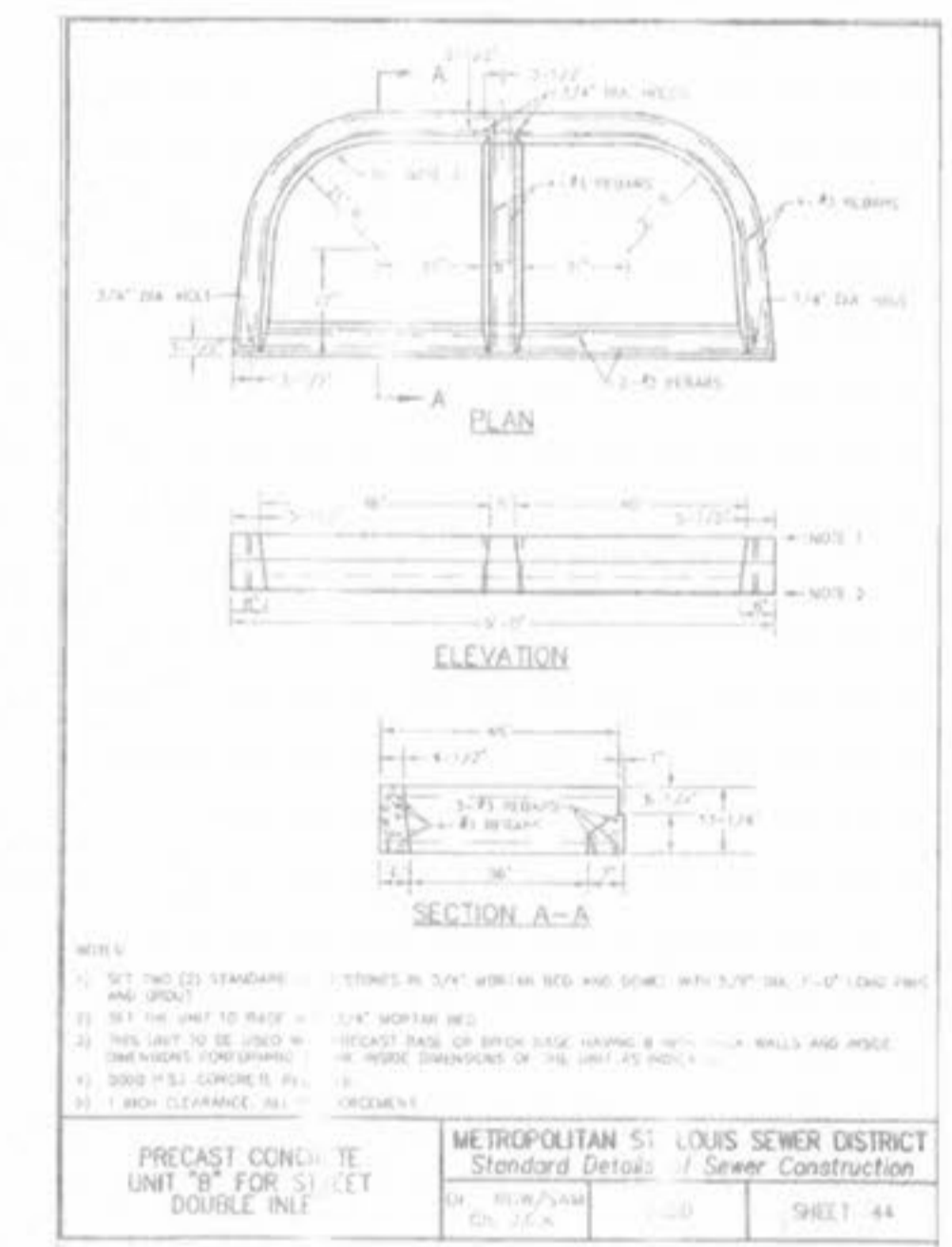
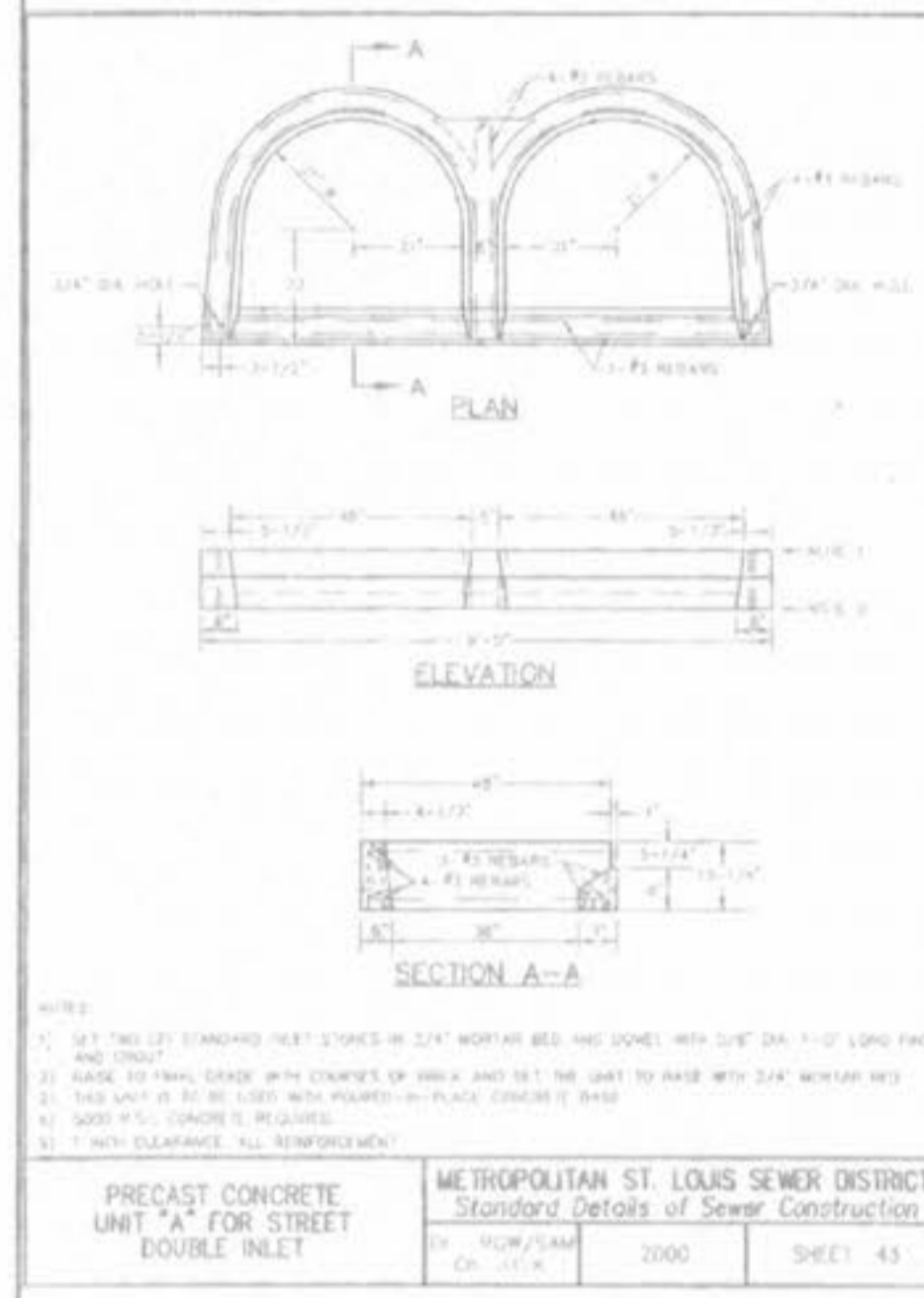
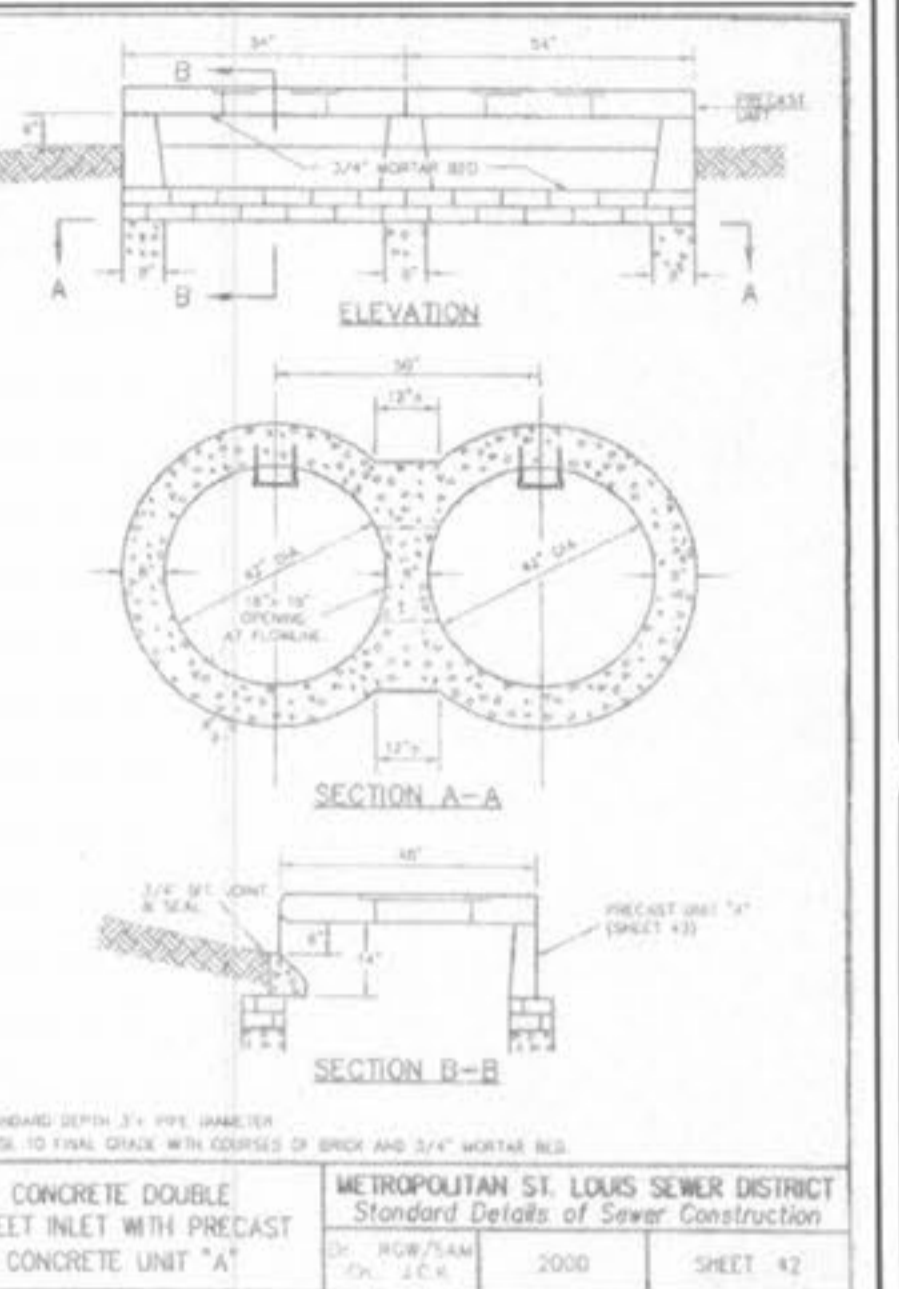
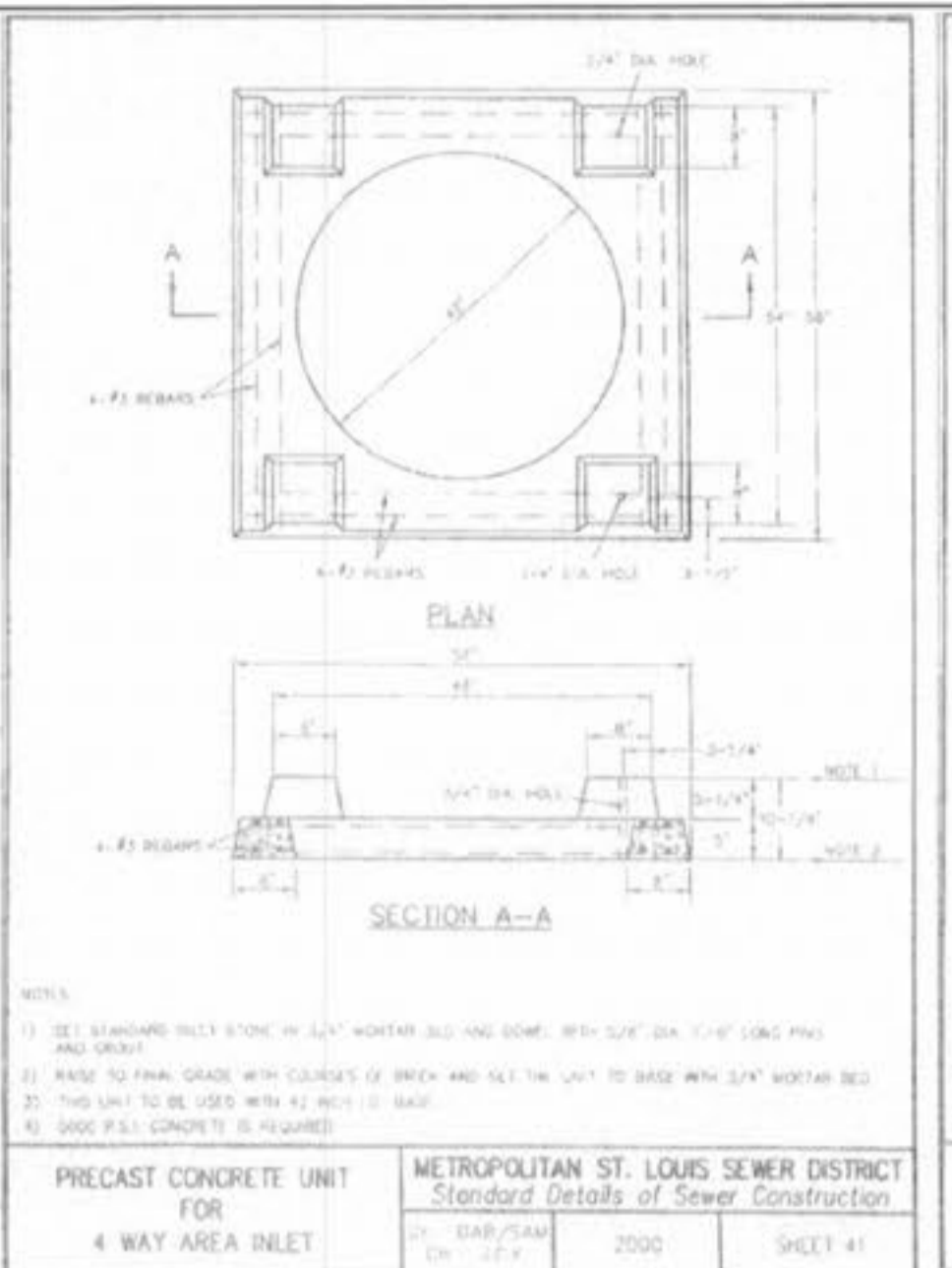
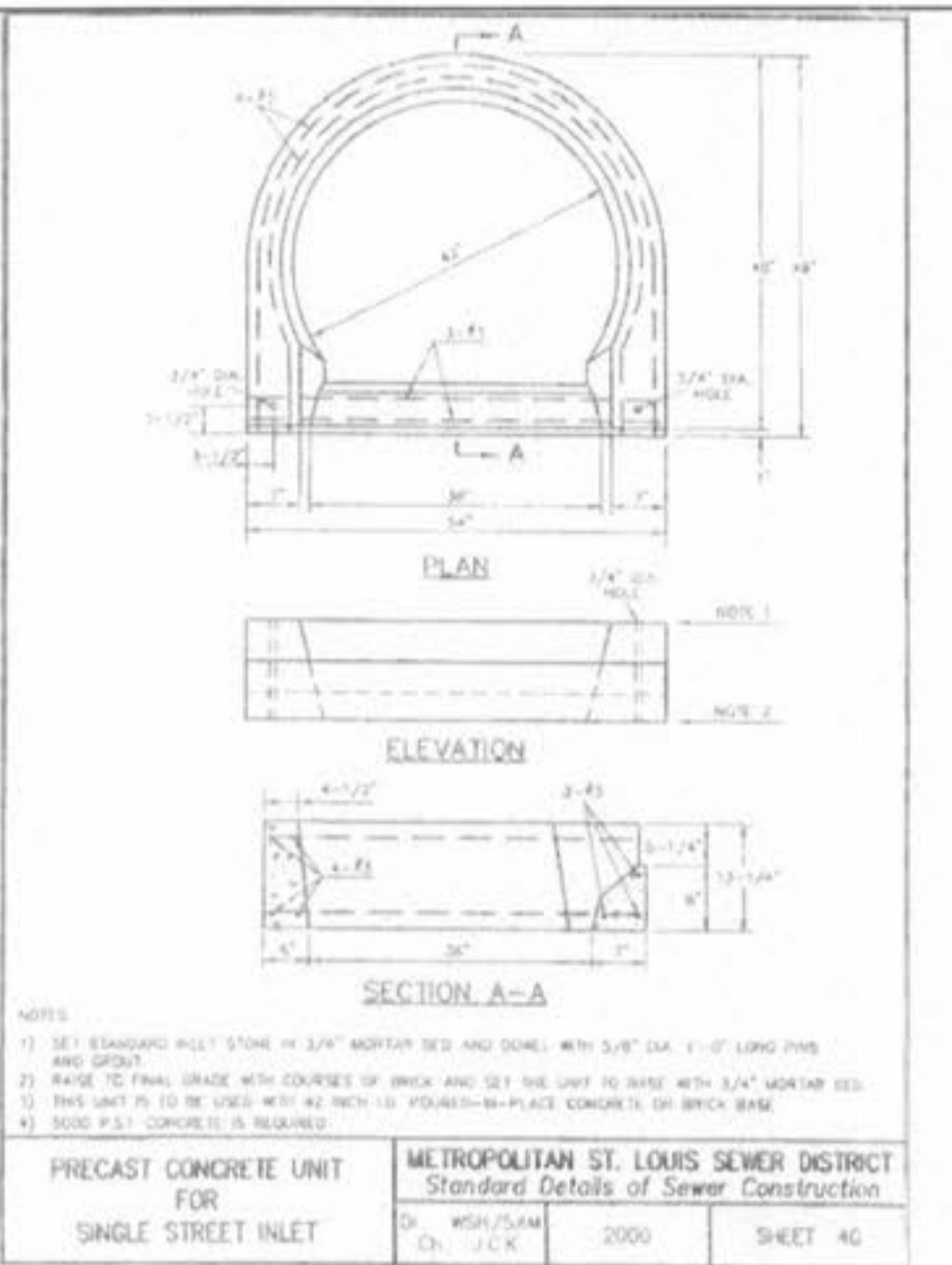
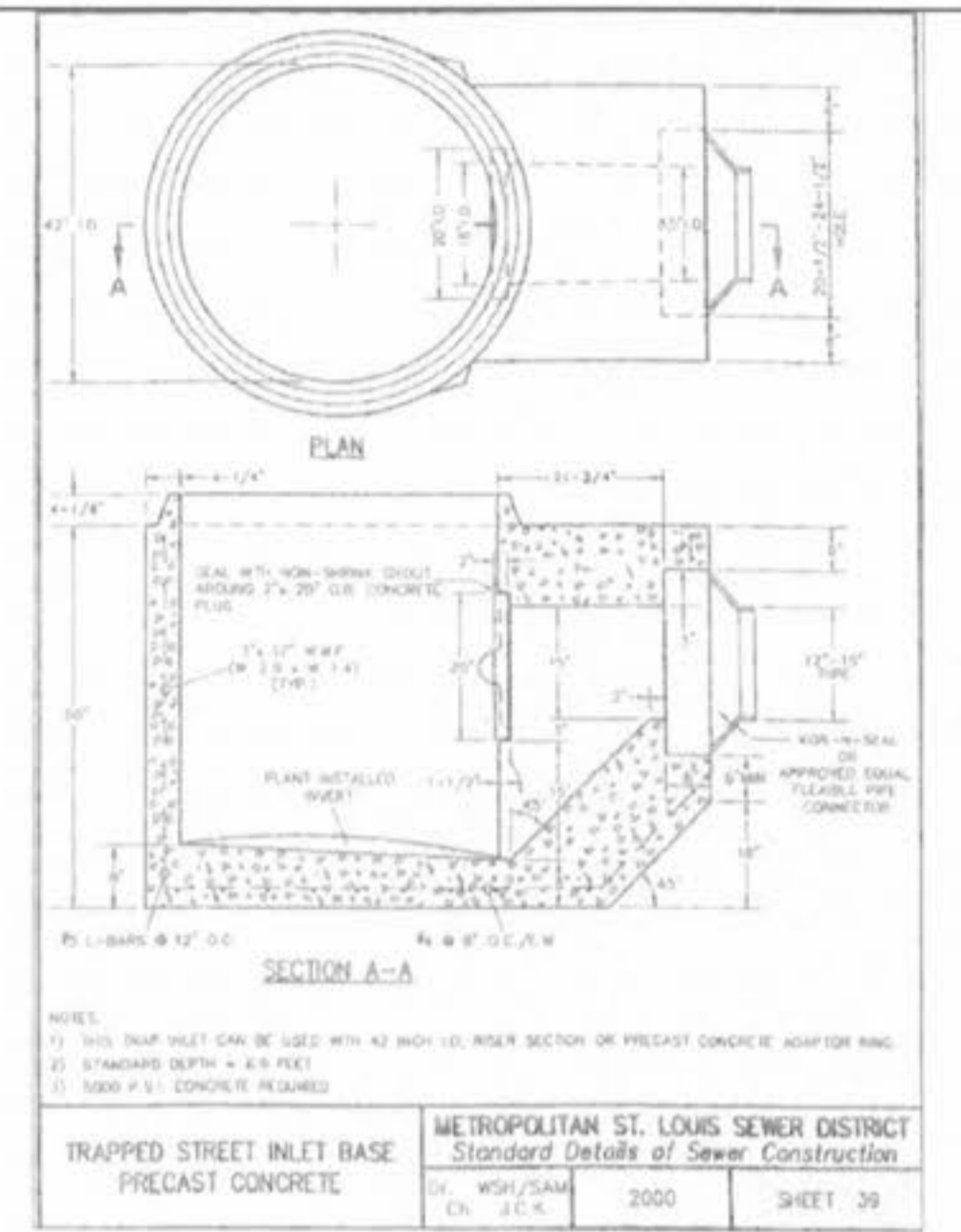
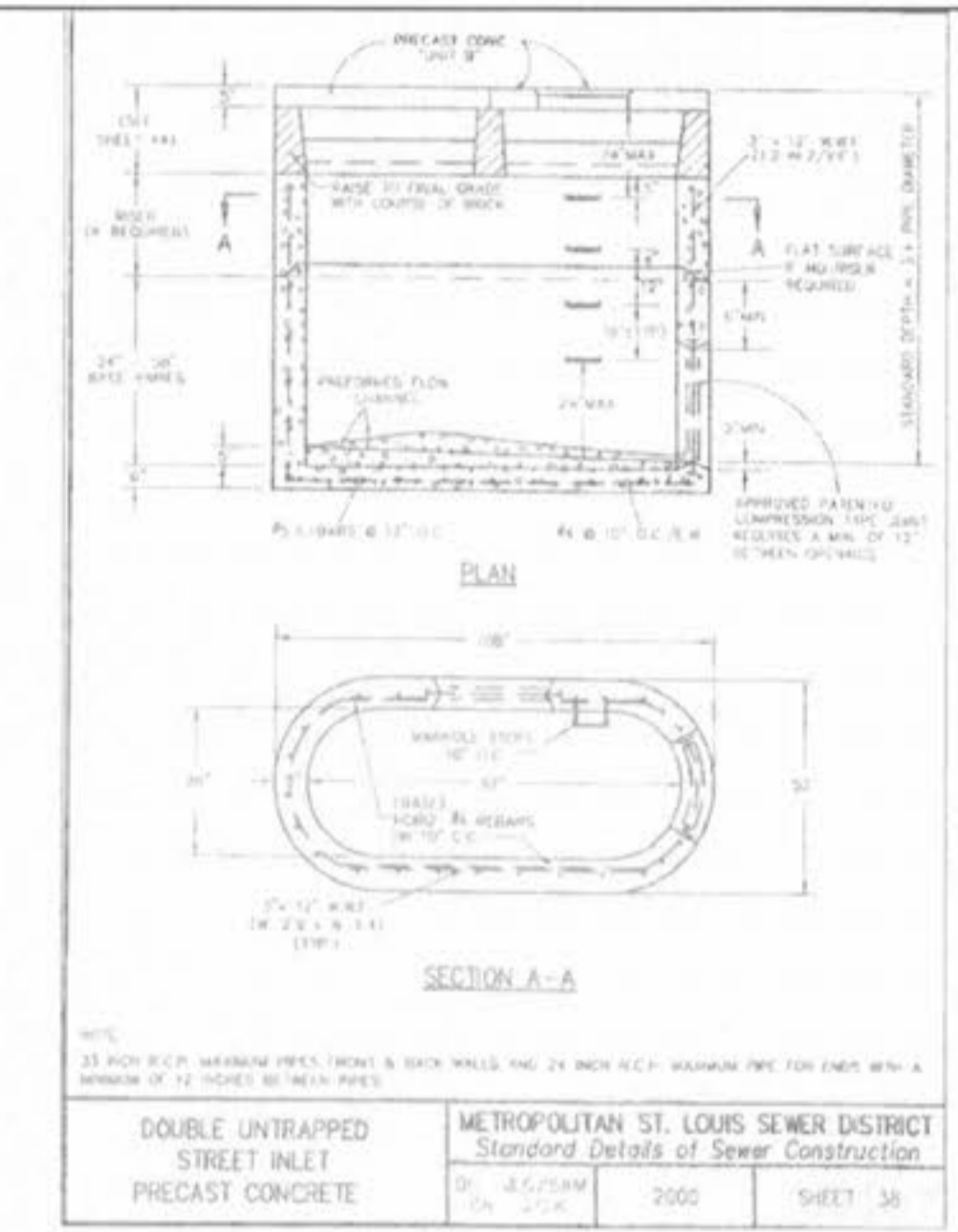
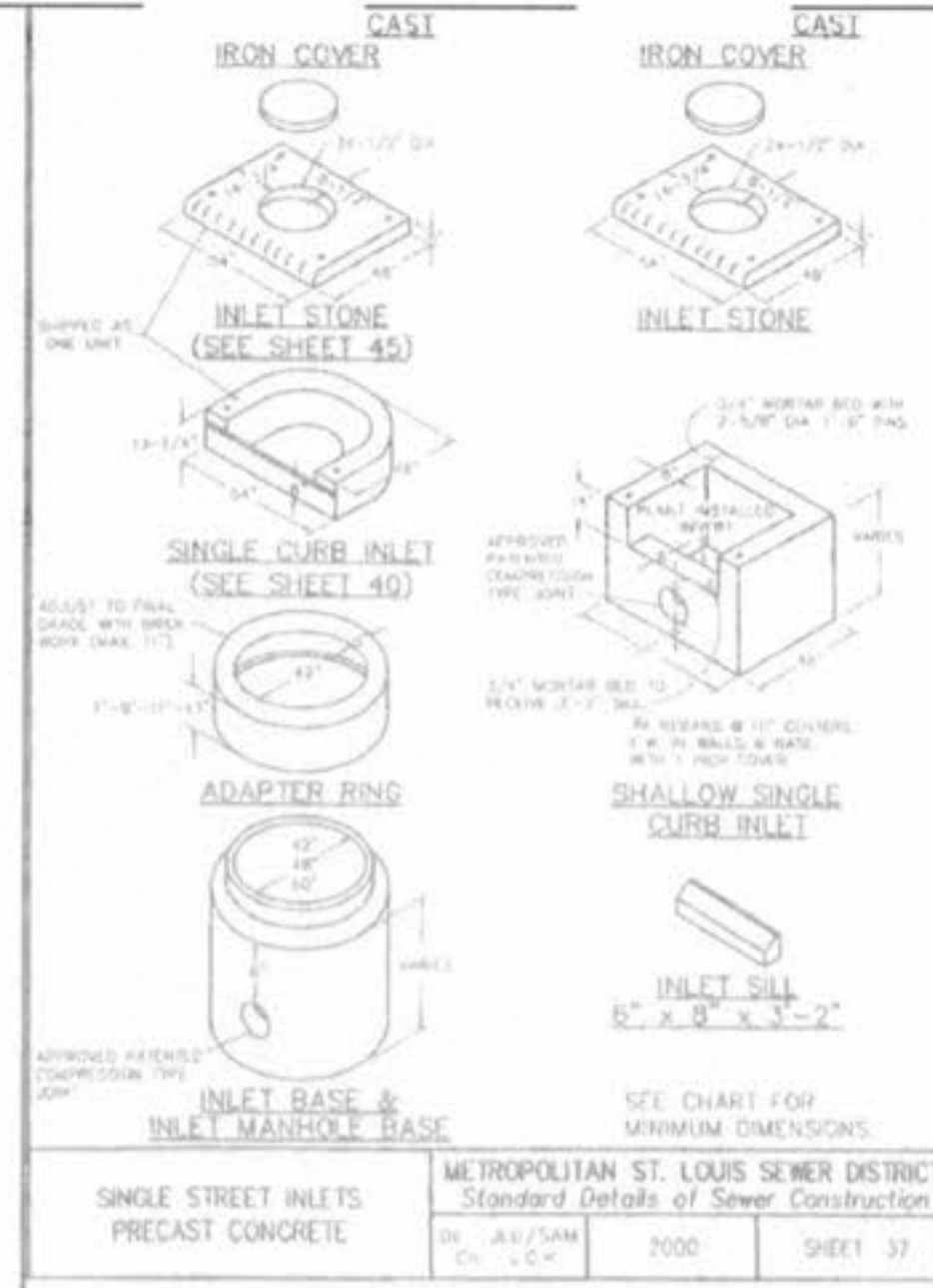


Drawing name: K:\D\121268\_Springhurst\Improvements\216802\ALS.dwg Plotted on: Aug 06, 2003 - 8:58am Plotted by: jantzen



ISSUE	REMARKS/DATE
1	03-02-05 FIRST SUBMITTAL
2	04-04-05 REVISED PER DCSD COMMENTS
3	05-23-05 REVISED PER CITY OF FALLON COMMENTS
4	06-27-05 REVISED PER DCSD COMMENTS
5	06-09-05 REVISED PER FALLON COMMENTS
6	06-22-05 REVISED PER CITY OF FALLON COMMENTS
7	07-14-05 REVISED PER FALLON COMMENTS
8	08-09-05 REVISED PER CITY OF FALLON COMMENTS

PREPARED FOR:  
**SPRINGHURST, L.L.C.**  
5091 NEW BAUMGARTNER ROAD  
ST. LOUIS, MISSOURI 63129  
(314) 487-6717



THE **STERLING** CO.  
ENGINEERS & SURVEYORS  
5055 NEW BAUMGARTNER ROAD  
ST. LOUIS, MISSOURI 63129  
E-Mail: Sterling-eng-survey.com

PROJECT:	DESIGNED:	CHECKED:
DRAWN:	THE VILLAGES AT SPRINGHURST	MSD CONSTRUCTION DETAILS
NO. 03 12 269	SHEET	CD6
P#	OF	

NO. 03 12 269	SHEET	CD6
P#	OF	