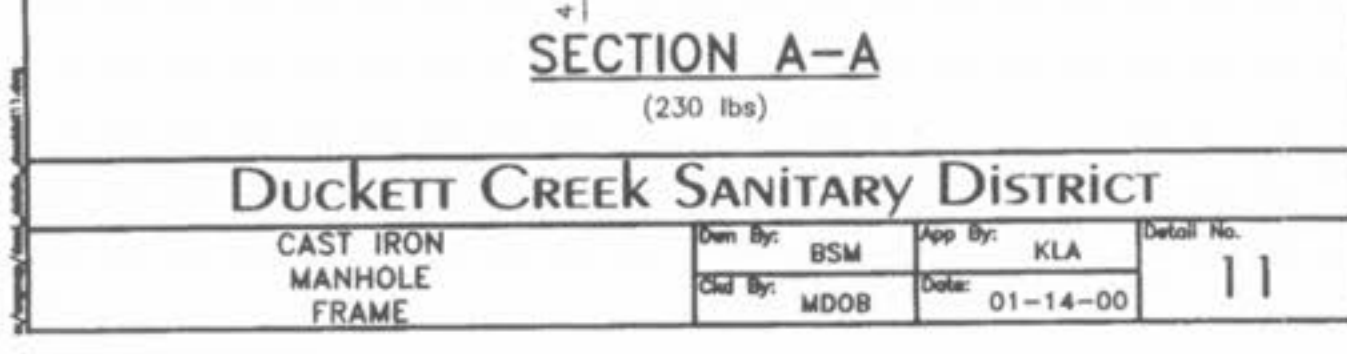
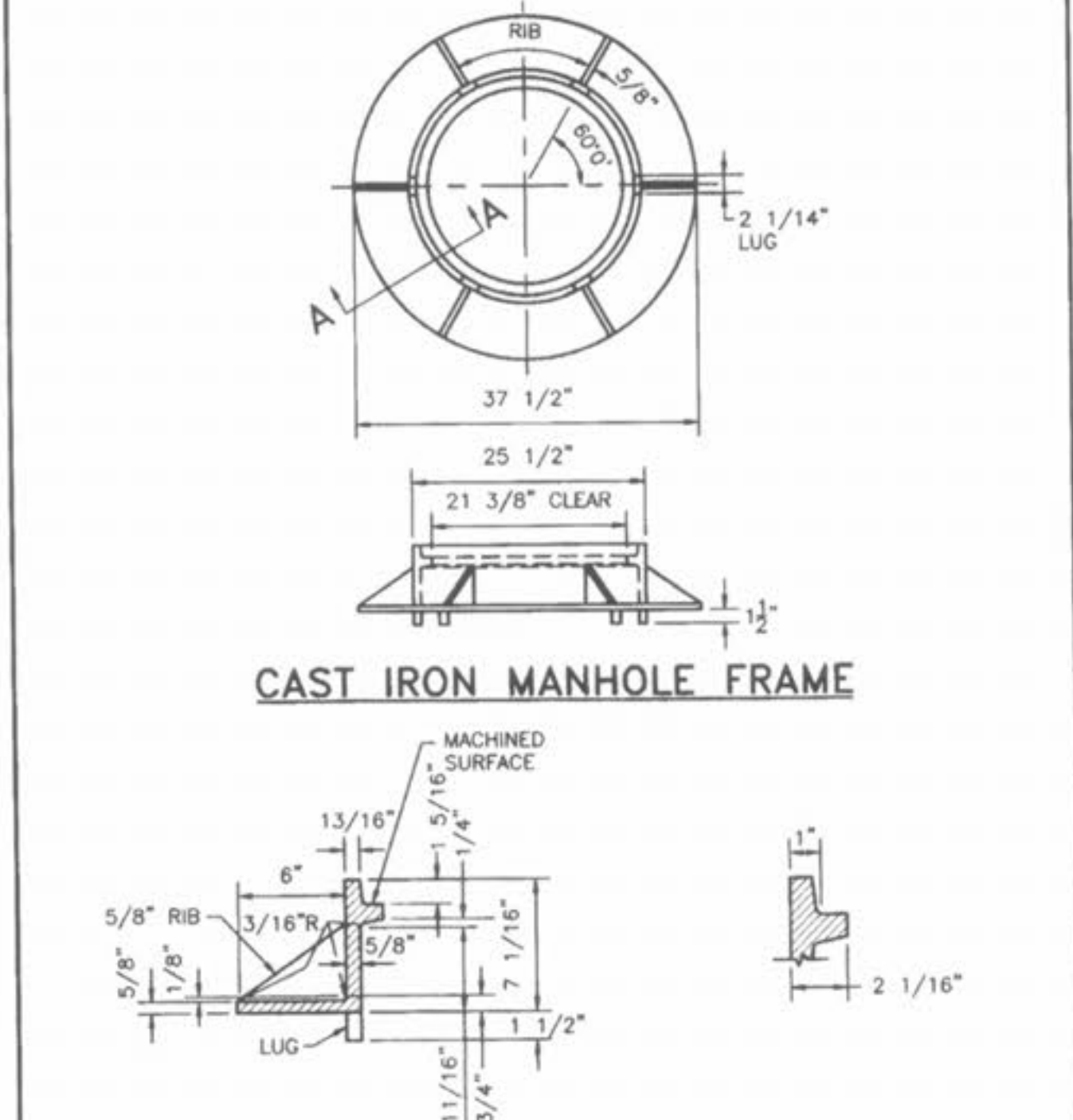


NOTE: ALL INVERTS SHALL HAVE POSITIVE DRAINAGE THROUGH MANHOLE.

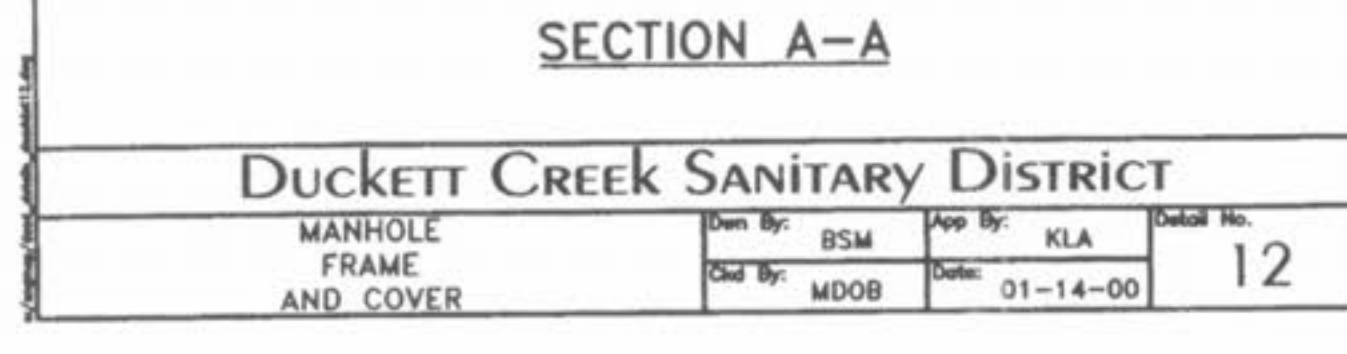
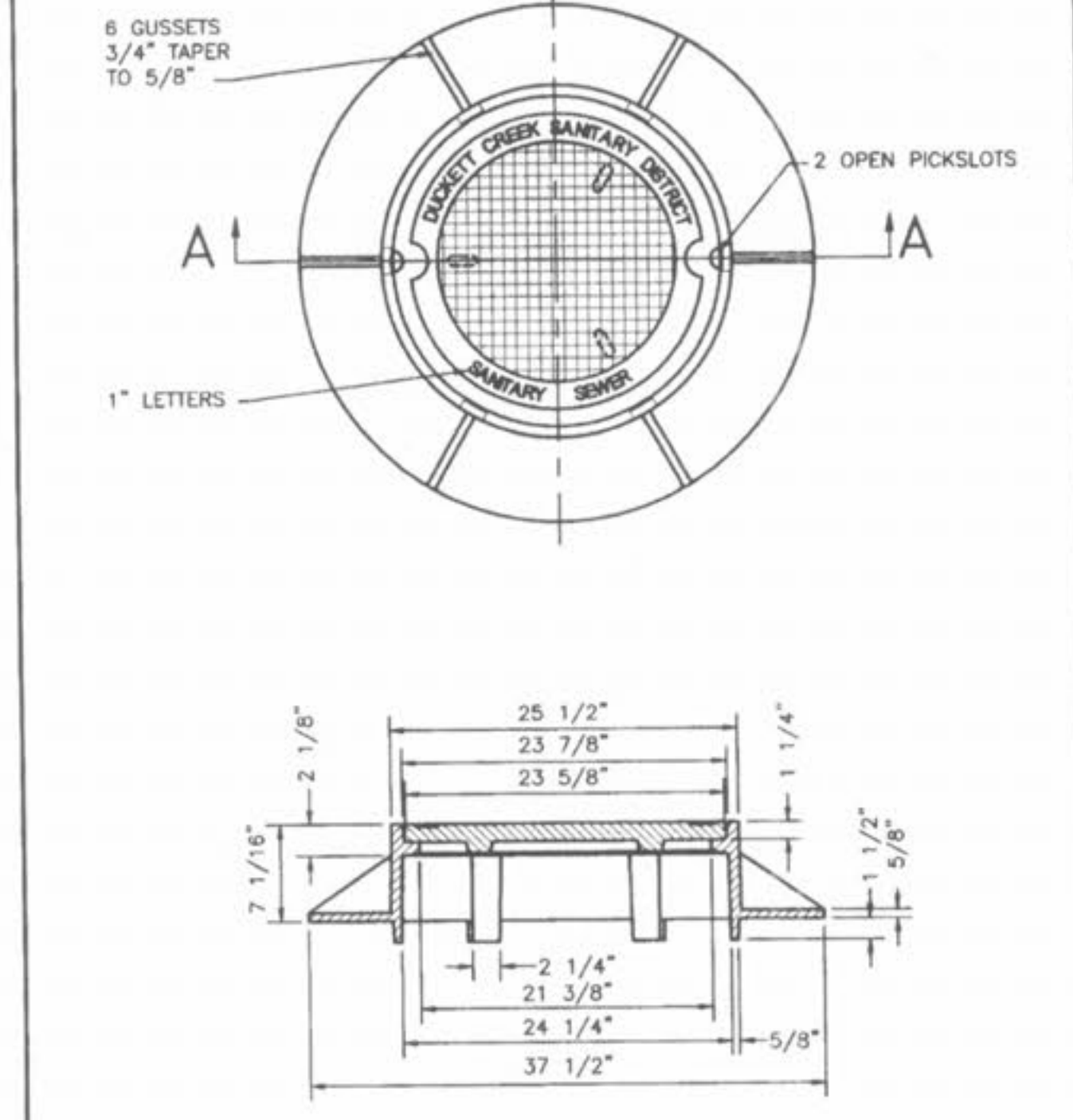
Duckett Creek Sanitary District

INSIDE DROP MANHOLE	Des. By: BSM	App. By: KLA	Detail No. 10
	Chg. By: MDOB	Date: 01-10-00	



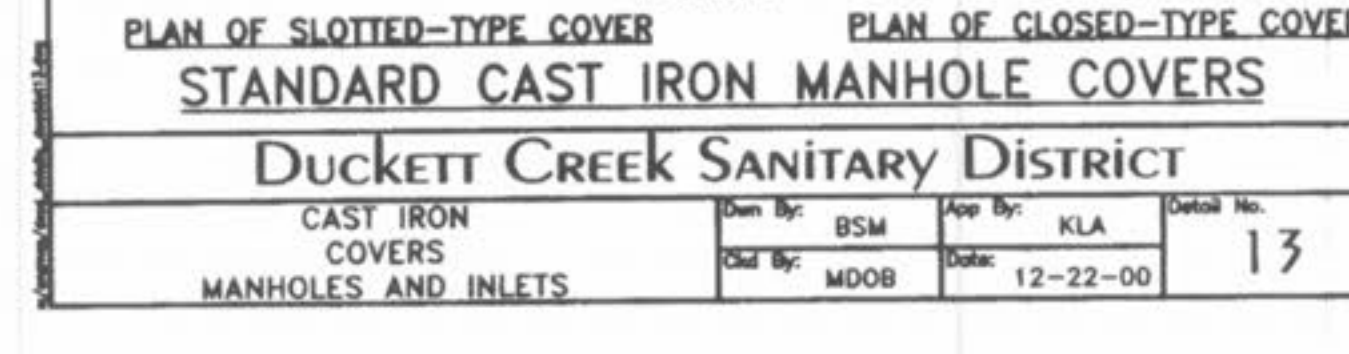
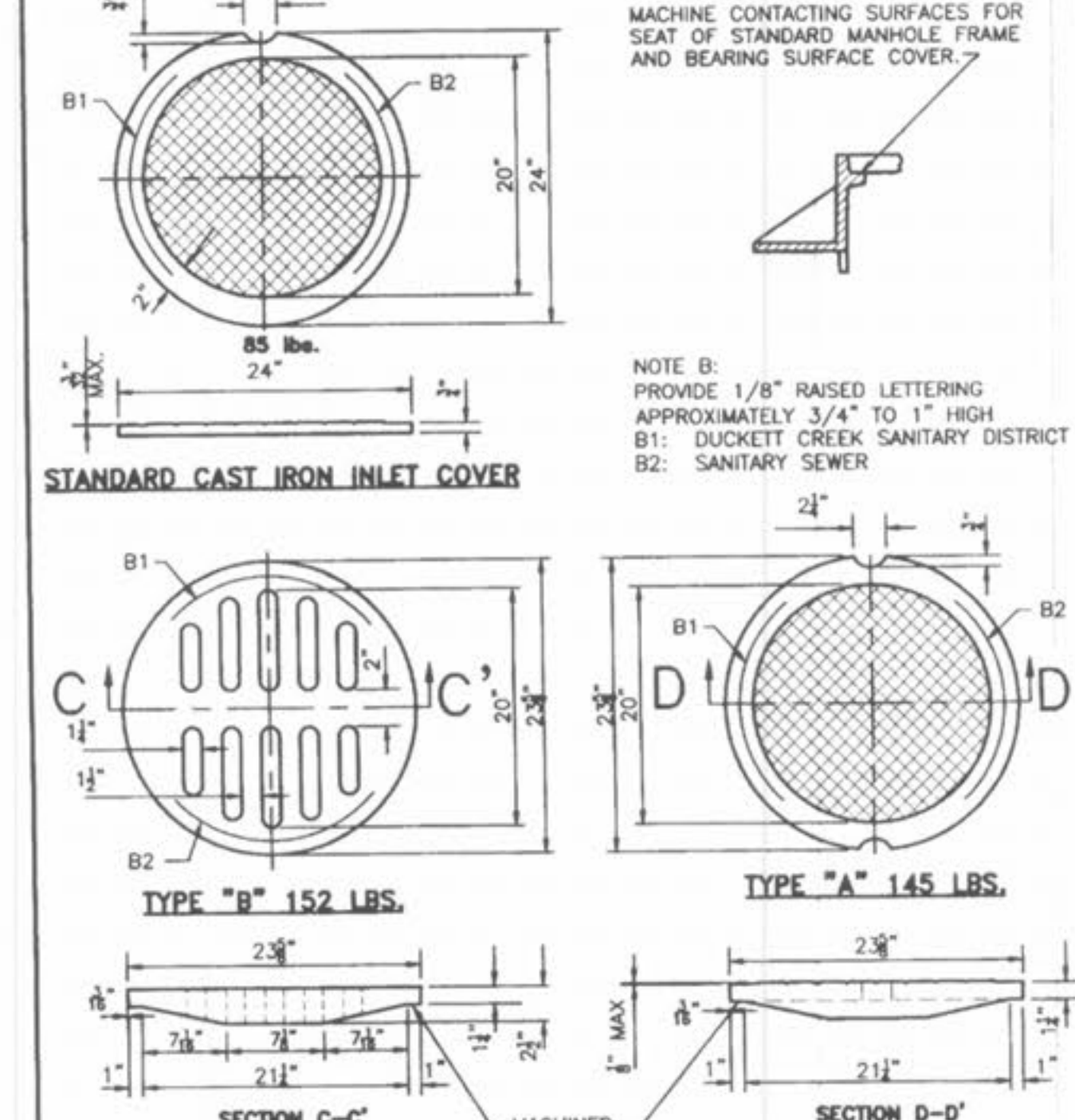
Duckett Creek Sanitary District

CAST IRON MANHOLE FRAME	Des. By: BSM	App. By: KLA	Detail No. 11
	Chg. By: MDOB	Date: 01-14-00	



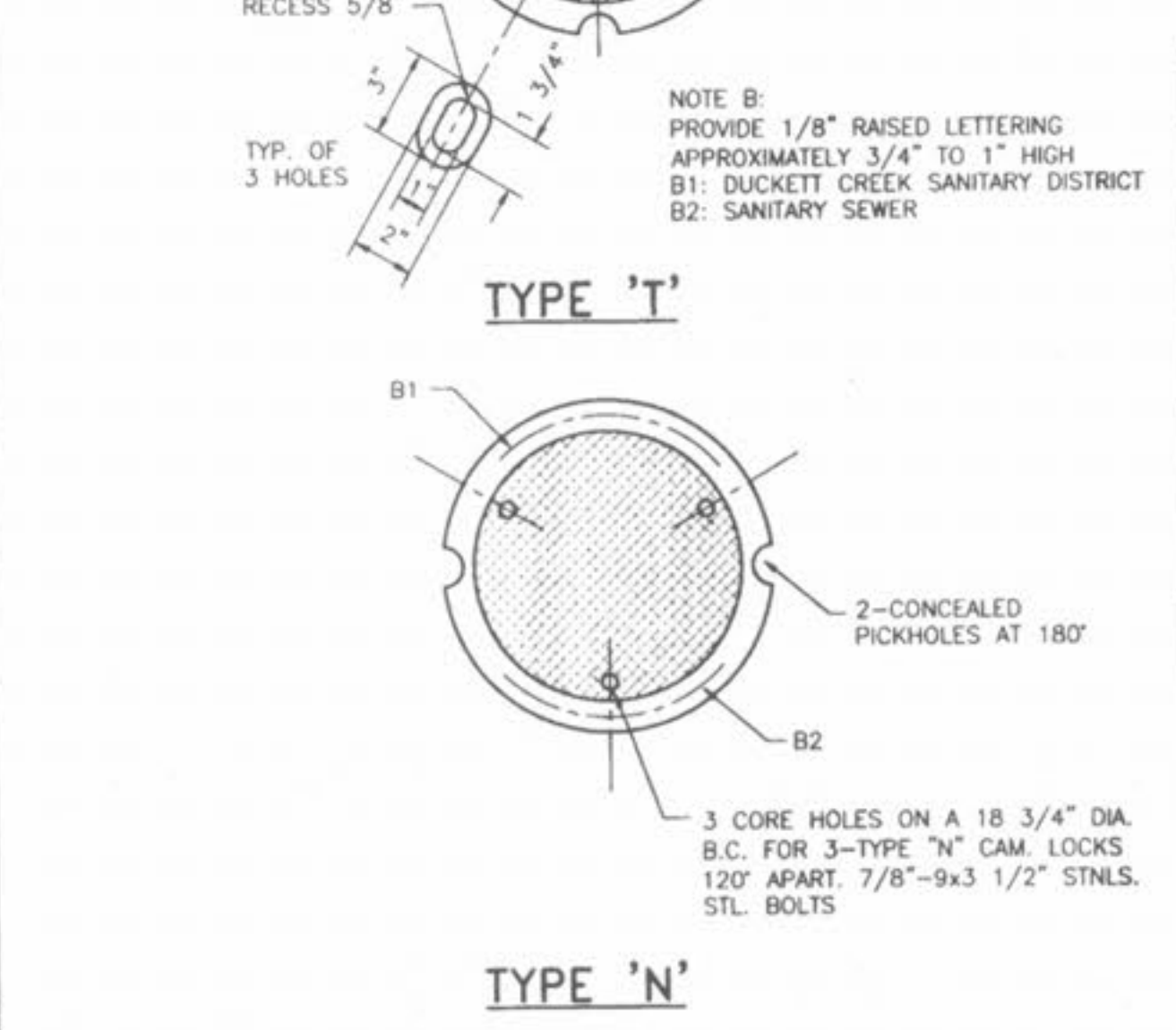
Duckett Creek Sanitary District

MANHOLE FRAME AND COVER	Des. By: BSM	App. By: KLA	Detail No. 12
	Chg. By: MDOB	Date: 01-14-00	



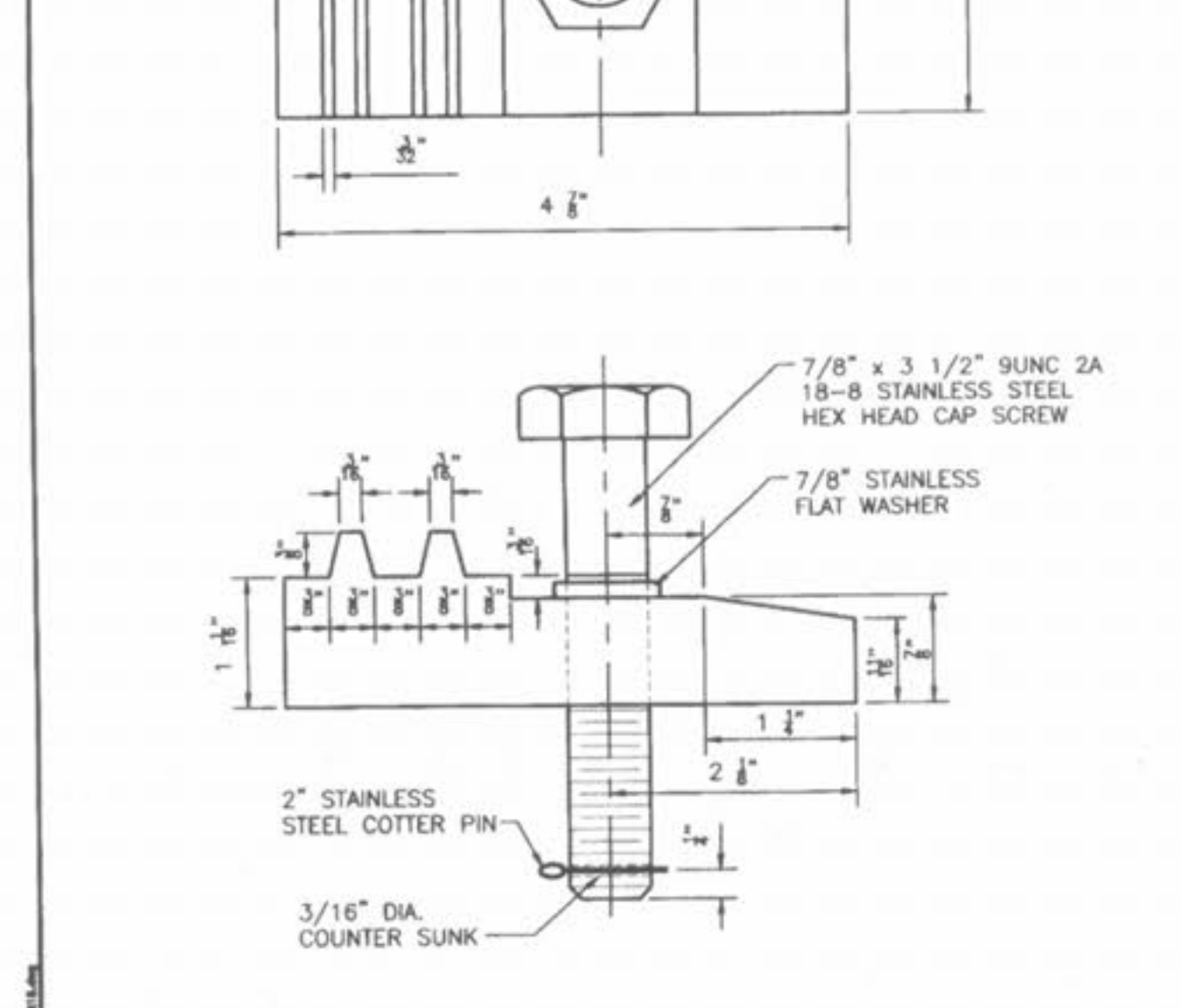
Duckett Creek Sanitary District

CAST IRON COVERS MANHOLES AND INLETS	Des. By: BSM	App. By: KLA	Detail No. 13
	Chg. By: MDOB	Date: 12-22-00	



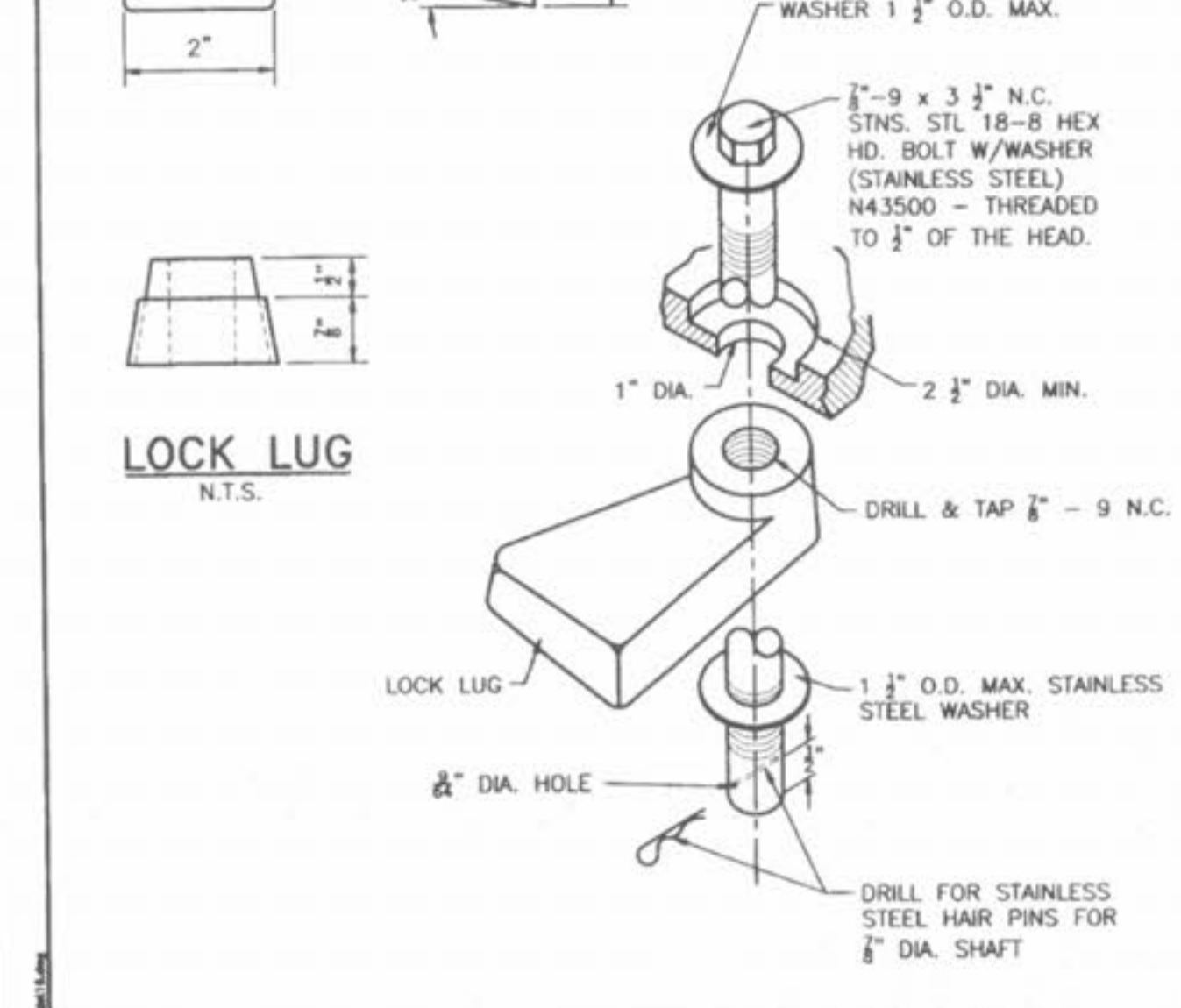
Duckett Creek Sanitary District

CAST IRON MANHOLE COVERS (LOCK TYPE)	Des. By: BSM	App. By: KLA	Detail No. 14
	Chg. By: MDOB	Date: 12-27-00	



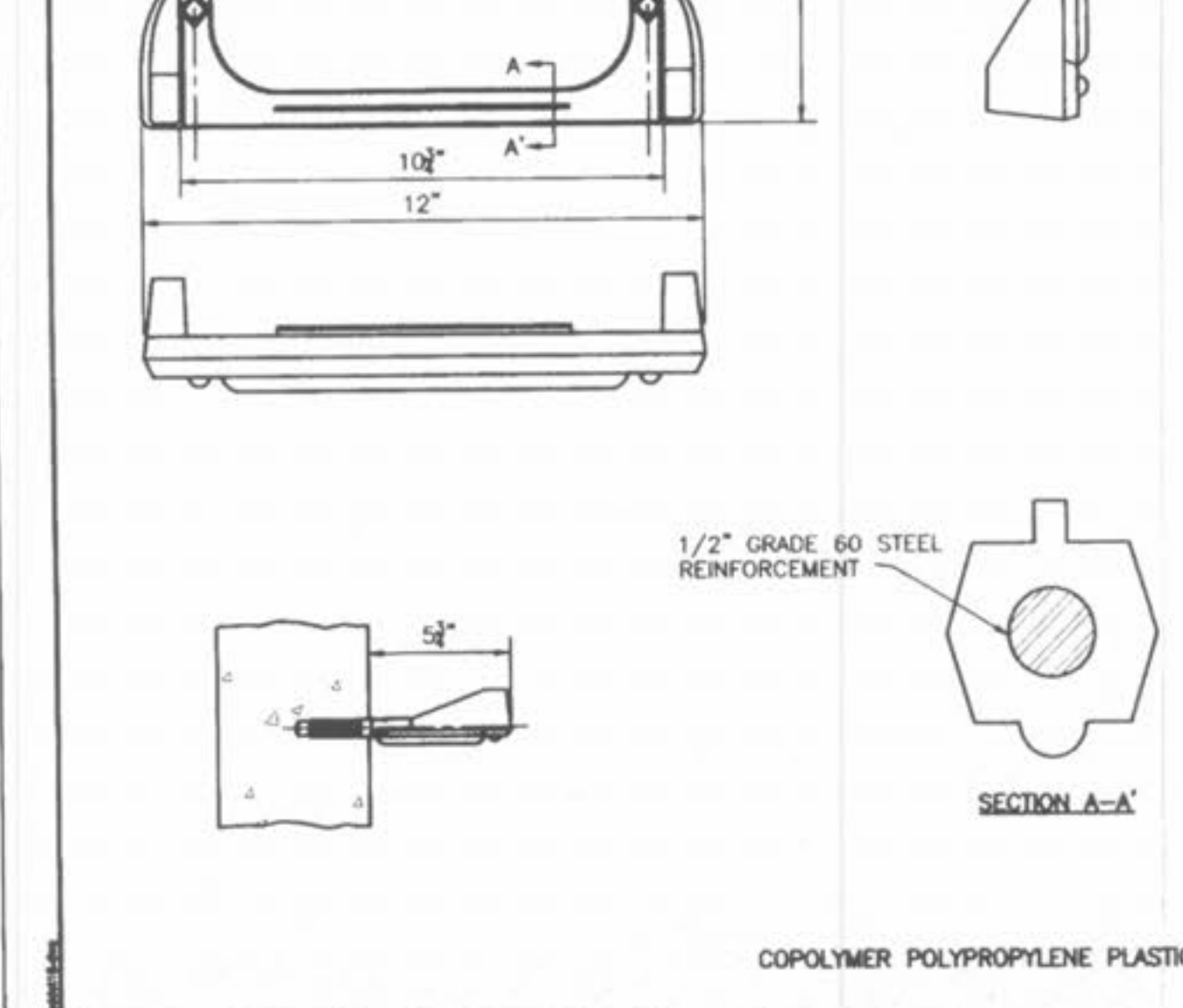
Duckett Creek Sanitary District

LOCKING DEVICE FOR TYPE "T" LOCK TYPE MANHOLE COVER	Des. By: BSM	App. By: KLA	Detail No. 15
	Chg. By: MDOB	Date: 12-27-00	



Duckett Creek Sanitary District

LOCKING DEVICE FOR TYPE "N" LOCK TYPE MANHOLE COVER	Des. By: BSM	App. By: KLA	Detail No. 16
	Chg. By: MDOB	Date: 12-28-00	



Duckett Creek Sanitary District

MANHOLE STEP PRECAST MANHOLE	Des. By: BSM	App. By: KLA	Detail No. 18
	Chg. By: MDOB	Date: 1-3-01	

ISSUE	REVISIONS
1	03-02-05 FIRST SUBMITTAL
2	04-04-05 REVISED PER DCSD COMMENTS
3	05-23-05 REVISED PER CITY OF FALLON COMMENTS
4	05-27-05 REVISED PER PASADENA COMMENTS
5	06-09-05 REVISED PER PASADENA COMMENTS
6	07-14-05 REVISED PER PASADENA COMMENTS
7	07-14-05 REVISED PER CITY OF FALLON COMMENTS
8	08-08-05 REVISED PER CITY OF FALLON COMMENTS

PREPARED FOR:
SPRINGHURST, L.L.C.
 5091 NEW BAUMGARTNER ROAD
 ST. LOUIS, MISSOURI 63129
 (314) 487-6717



PREPARED BY:
THE STERLING CO.
 ENGINEERS & SURVEYORS
 5065 NEW BAUMGARTNER ROAD
 ST. LOUIS, MISSOURI 63129
 (314) 487-2040 FAX 487-8844
 E-Mail: Sterling@sterling-eng-sur.com

PROJECT: **THE VILLAGES AT SPRINGHURST**
 SHEET TITLE: **DCSD CONSTRUCTION DETAILS**

NO. 03 12 269
M.S.D. SHEET
P# CD9
DIGITAL FILE LOCATION: SERVER=STERLING-2
DATE: 08/07/09
OF

Drawing name: K:\D\031269_Springhurst\improvements\22690DETAILS.dwg Plotted on: Aug 06, 2005 - 8:56am Plotted by: juthomas