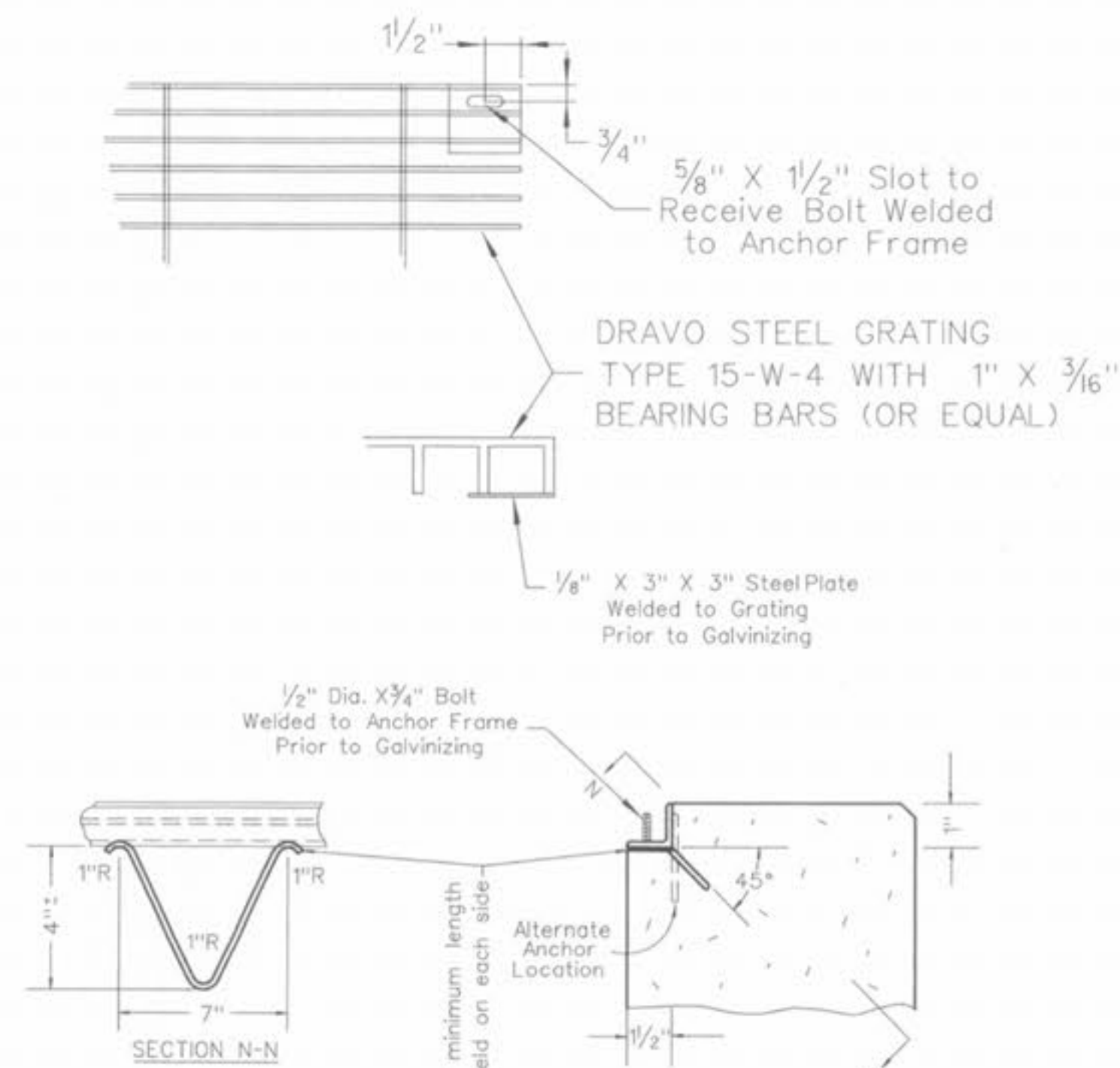


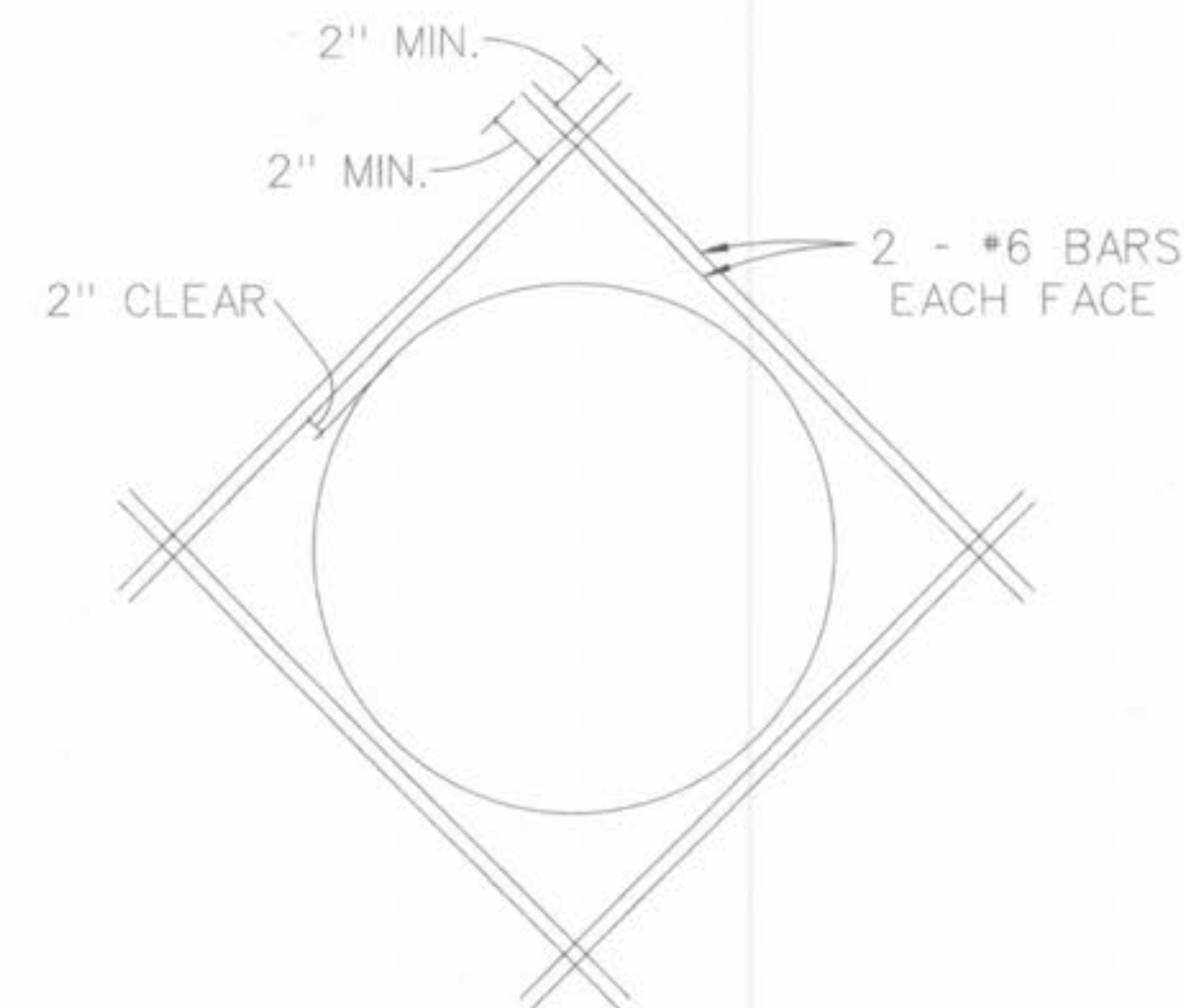
6" FLANGED GATE VALVE  
N.T.S.



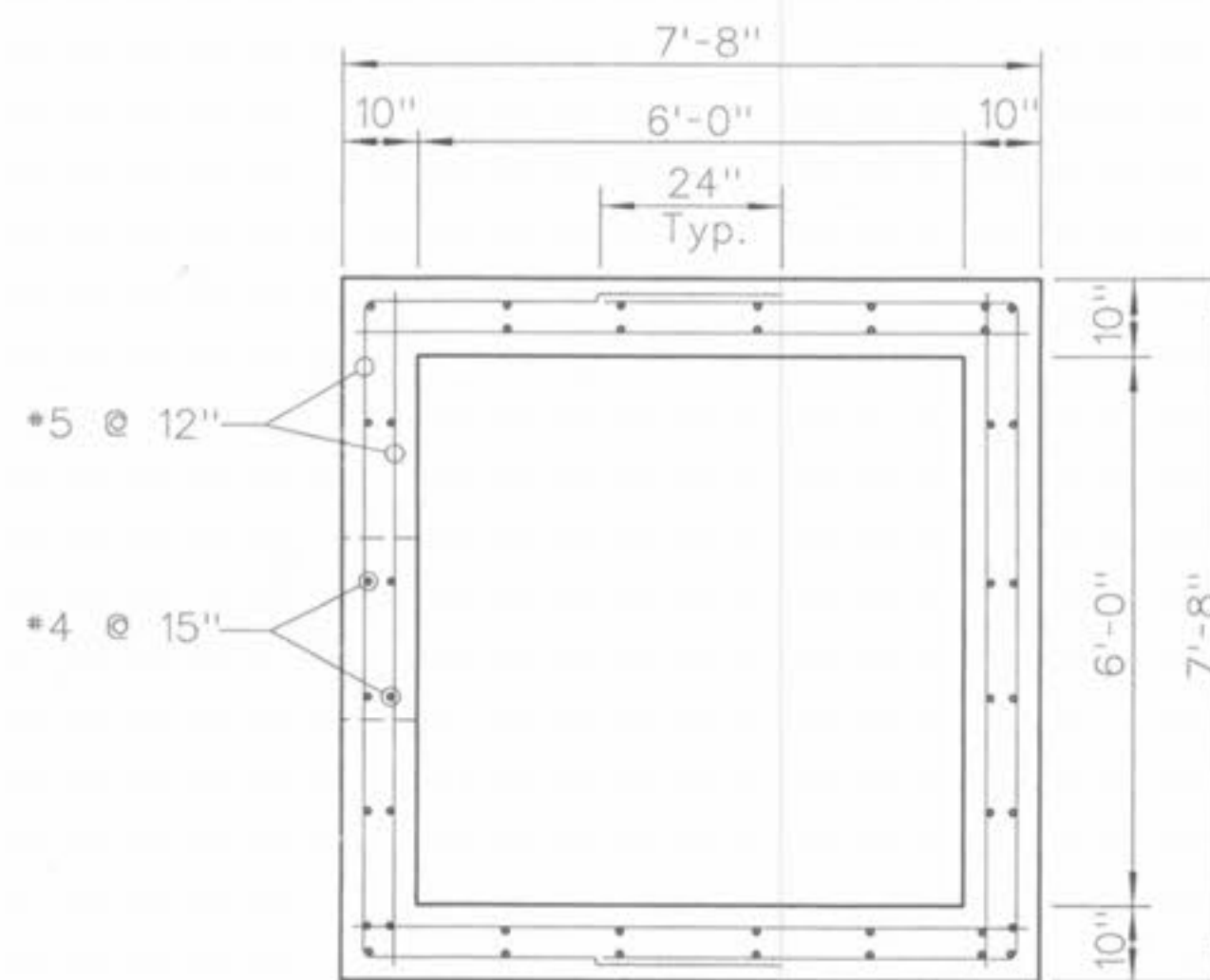
DETAIL OF CONTINUOUS ANCHOR  
FOR ANGLE SEAT & BOLT DOWN GRATE  
N.T.S.

CONSTRUCTION NOTES:

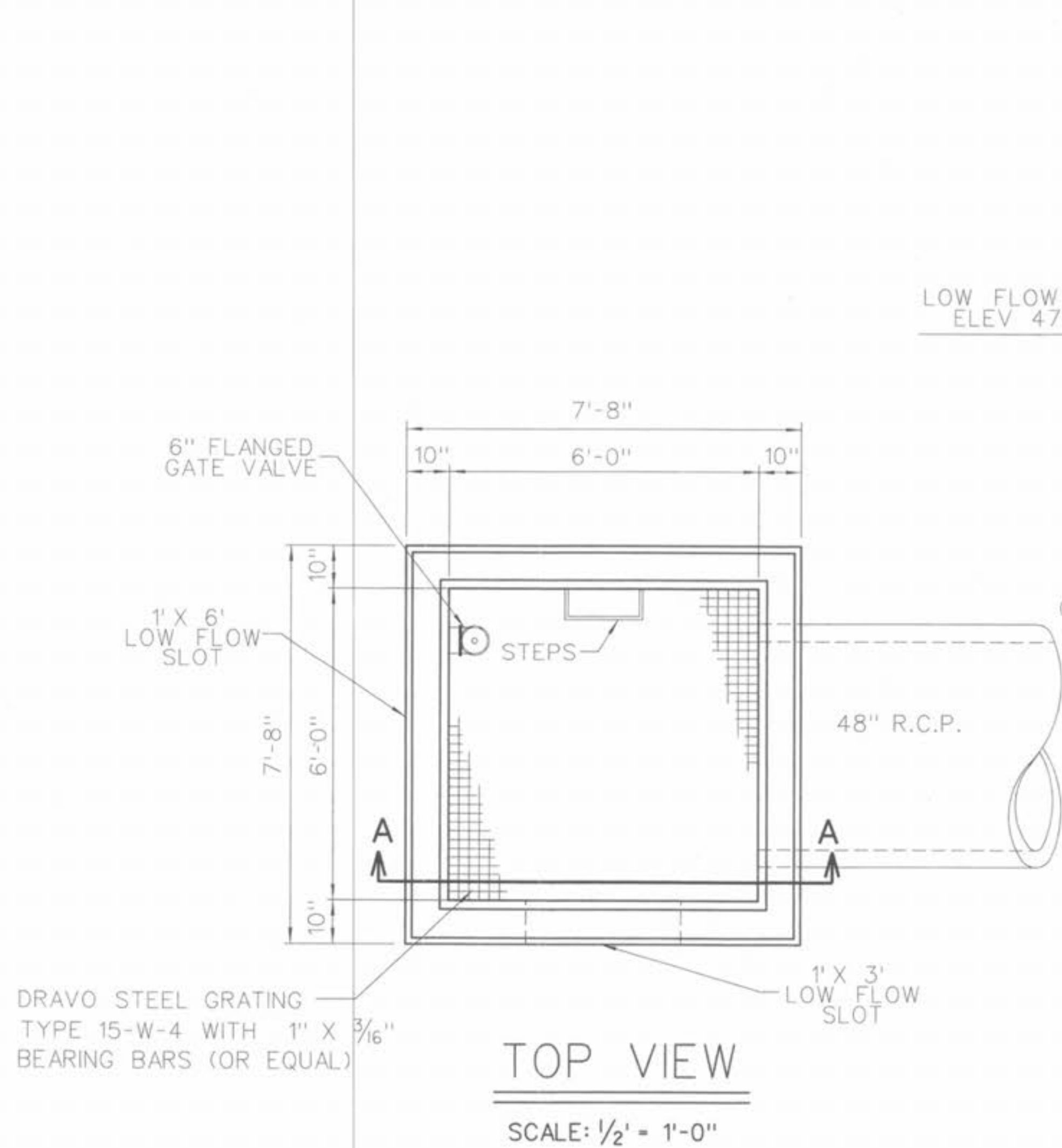
1. Concrete for the structure shall be "air entrained" and contain at least 6 sacks Class "A" Portland Cement per cubic yard. The concrete shall be placed at a slump of 4 inches +/- 1/2 inch. The concrete shall be proportioned and transported in accordance with ASTM C-94.
2. Reinforcing steel shall conform to ASTM C-615-60 with deformations conforming to ASTM A-305 and shall have a minimum cover of 2 inches except for 3 inches where concrete is poured against earth.
3. Laps and/or splices in reinforcing steel shall be a minimum of 30 bar diameters.
4. Keyed joints shown are to be 2-inch x 2-inch keyed construction joints.
5.  $f_c = 24,000$  psi.
6.  $f_s = 3,750$  psi.
7. All exposed edges to have a 3/4-inch chamfer.
8. Contractor to provide for bypass of stormwater during construction of structure.
9. All soil specifications shall be directed by soils engineer.



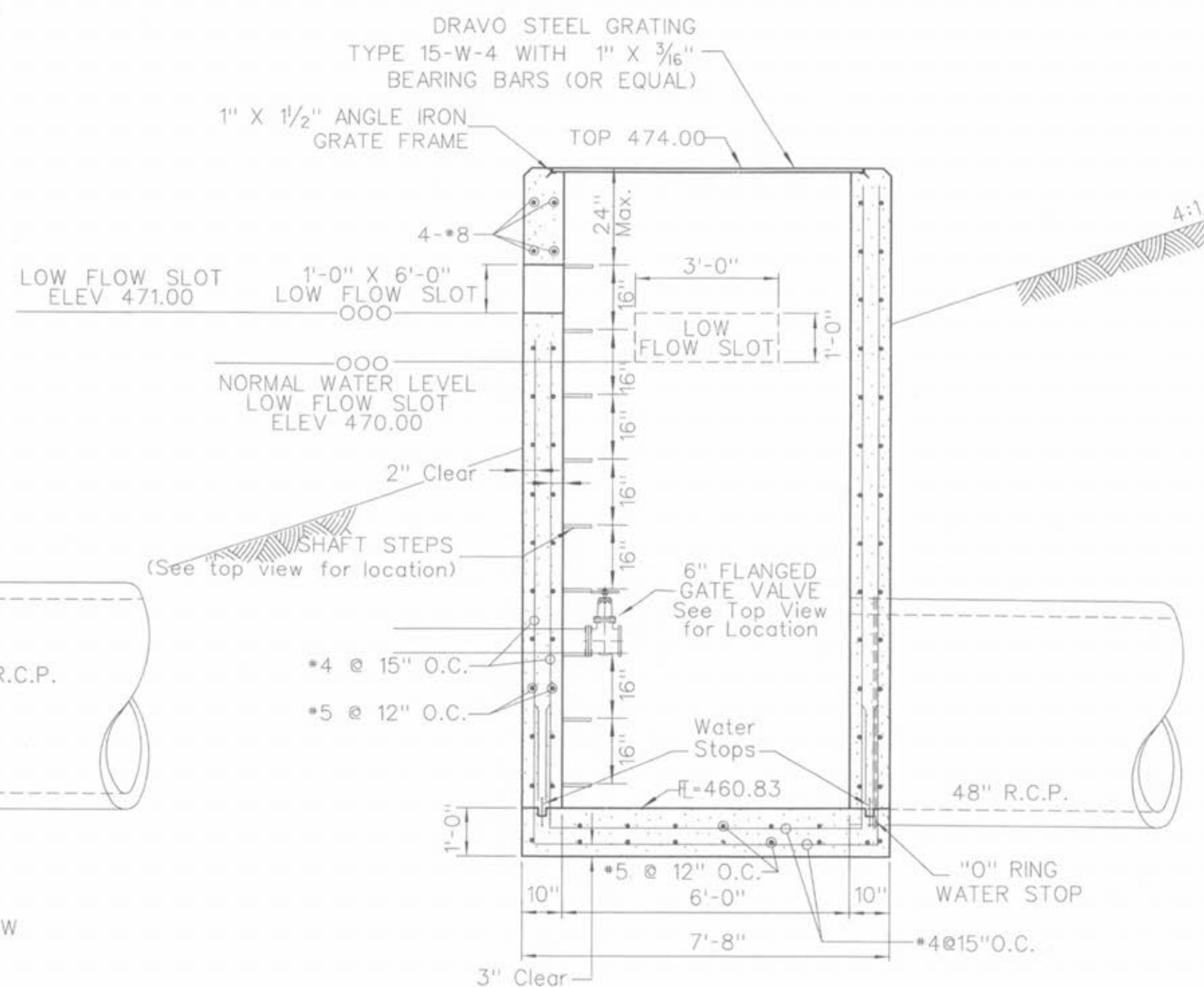
DETAIL SHOWING REINFORCING  
AROUND OPENING  
N.T.S.



STEEL SPLICE DETAIL  
SCALE: 1/2" = 1'-0"



TOP VIEW  
SCALE: 1/2" = 1'-0"



SECTION A-A  
REINFORCED DETENTION  
STRUCTURE  
SCALE: 1/2" = 1'-0"

WALDEN POND,  
L.L.C.  
2529 LEMAY  
FERRY RD.  
ST. LOUIS, MO. 63125



THE VILLAGES AT  
WALDEN POND

DETENTION STRUCTURE  
NO. 201  
Design By: E.A.K.  
Drawn By: G.A.S.  
Checked By: E.A.K.  
12A