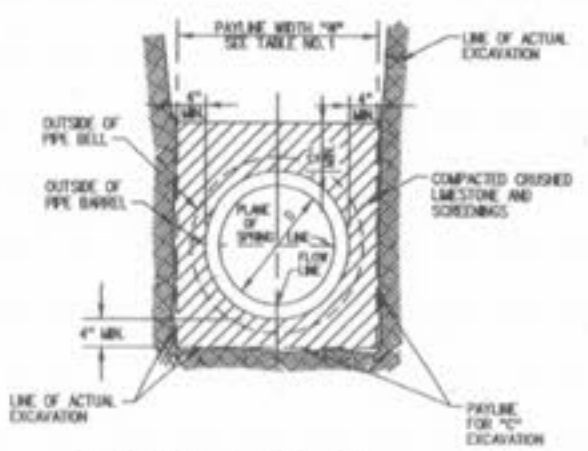
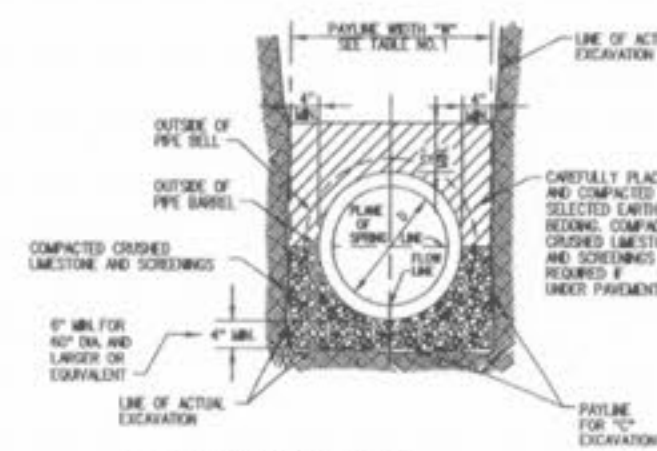


ROUND PIPE		HORIZONTAL ELLIPTICAL PIPE	
MINIMUM DEPTH OF TRENCH (INCHES)	MINIMUM DEPTH OF TRENCH (INCHES)	MINIMUM DEPTH OF TRENCH (INCHES)	MINIMUM DEPTH OF TRENCH (INCHES)
12"	18"	12"	18"
15"	21"	15"	21"
18"	24"	18"	24"
21"	27"	21"	27"
24"	30"	24"	30"
27"	33"	27"	33"
30"	36"	30"	36"
36"	42"	36"	42"
42"	48"	42"	48"
48"	54"	48"	54"
54"	60"	54"	60"
60"	66"	60"	66"
66"	72"	66"	72"
72"	78"	72"	78"
78"	84"	78"	84"
84"	90"	84"	90"
90"	96"	90"	96"
96"	102"	96"	102"
102"	108"	102"	108"
108"	114"	108"	114"
114"	120"	114"	120"
120"	126"	120"	126"
126"	132"	126"	132"
132"	138"	132"	138"
138"	144"	138"	144"
144"	150"	144"	150"
150"	156"	150"	156"
156"	162"	156"	162"
162"	168"	162"	168"
168"	174"	168"	174"
174"	180"	174"	180"
180"	186"	180"	186"
186"	192"	186"	192"
192"	198"	192"	198"
198"	204"	198"	204"
204"	210"	204"	210"
210"	216"	210"	216"
216"	222"	216"	222"
222"	228"	222"	228"
228"	234"	228"	234"
234"	240"	234"	240"
240"	246"	240"	246"
246"	252"	246"	252"
252"	258"	252"	258"
258"	264"	258"	264"
264"	270"	264"	270"
270"	276"	270"	276"
276"	282"	276"	282"
282"	288"	282"	288"
288"	294"	288"	294"
294"	300"	294"	300"
300"	306"	300"	306"
306"	312"	306"	312"
312"	318"	312"	318"
318"	324"	318"	324"
324"	330"	324"	330"
330"	336"	330"	336"
336"	342"	336"	342"
342"	348"	342"	348"
348"	354"	348"	354"
354"	360"	354"	360"

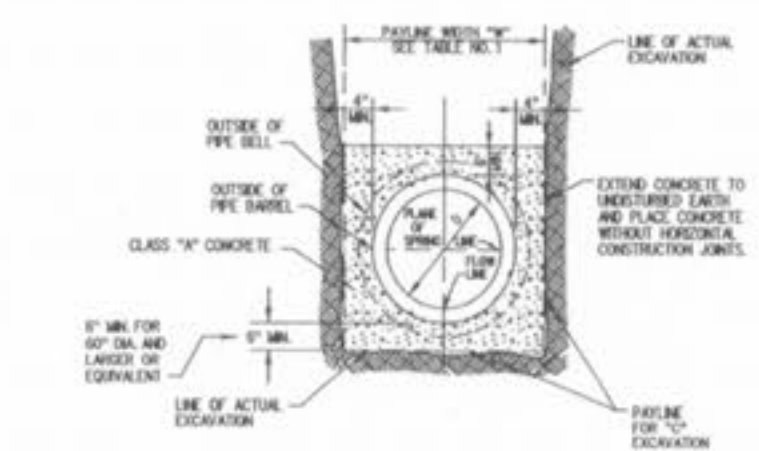
TABLE 1
PAYLINE WIDTHS OF TRENCHES
AND PAY-QUANTITIES OF CONCRETE



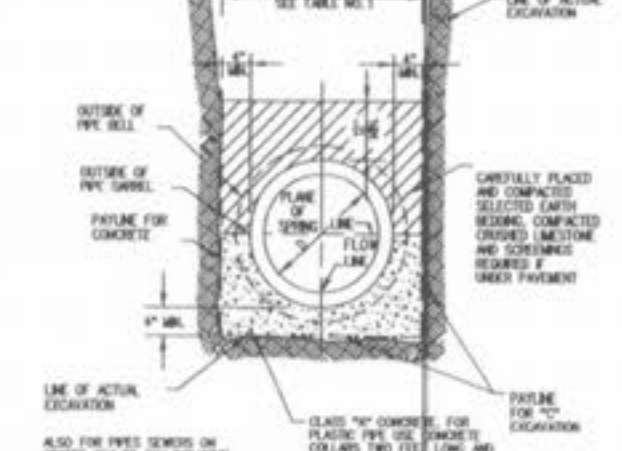
PIPE BEDDING CLASS "C"
(FOR ALL PIPE EXCEPT
REINFORCED CONCRETE PIPE)



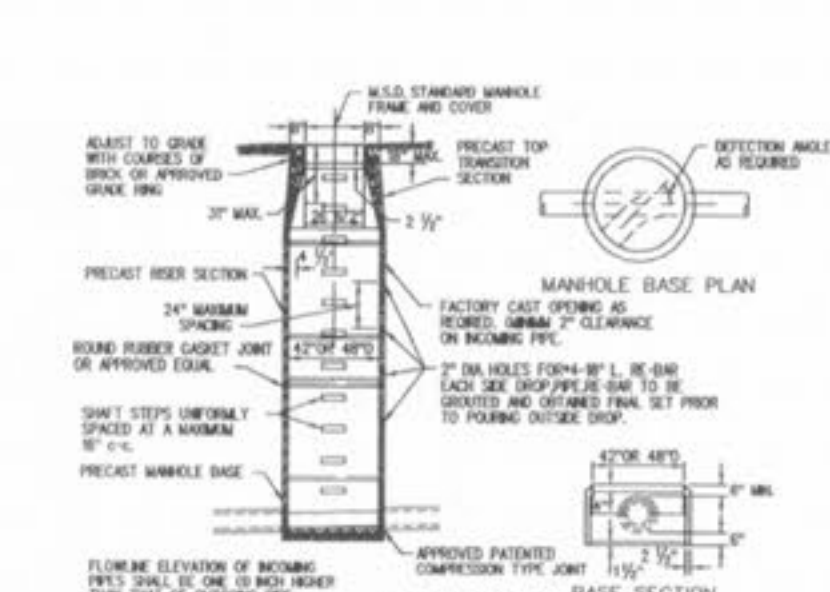
PIPE BEDDING CLASS "C"
(MODIFIED FOR
REINFORCED CONCRETE PIPE)



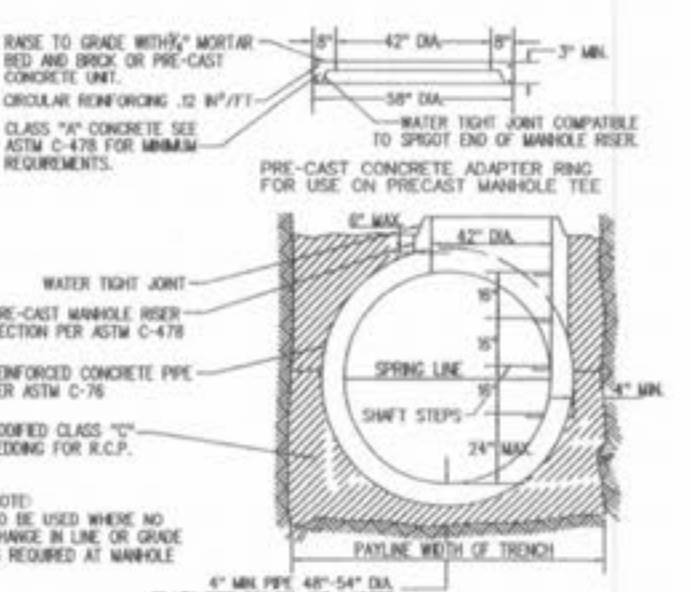
CONCRETE ENCASUREMENT



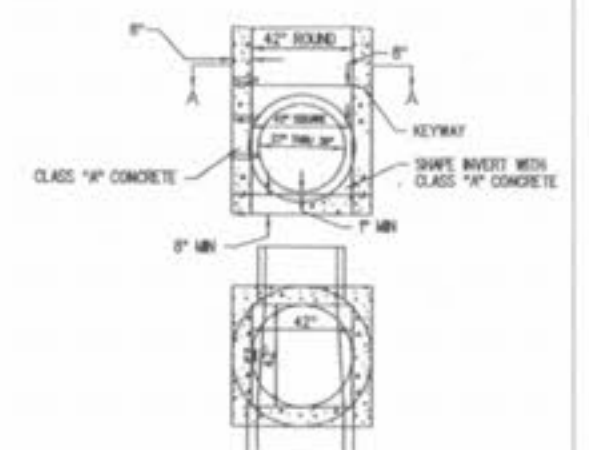
CONCRETE CRADLE



PRECAST CONCRETE
MANHOLE FOR SEWERS 8" THRU 18"



TYPICAL PRE-CAST MAN TEE FOR
REINFORCED CONCRETE PIPE SEWERS
48" AND LARGER IN DIAMETER

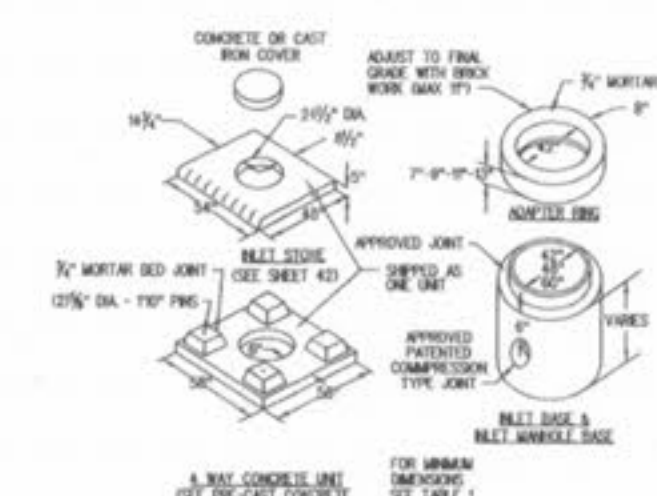


MANHOLE ON
PIPE SEWER 27" THRU 36" (ALTERNATED)

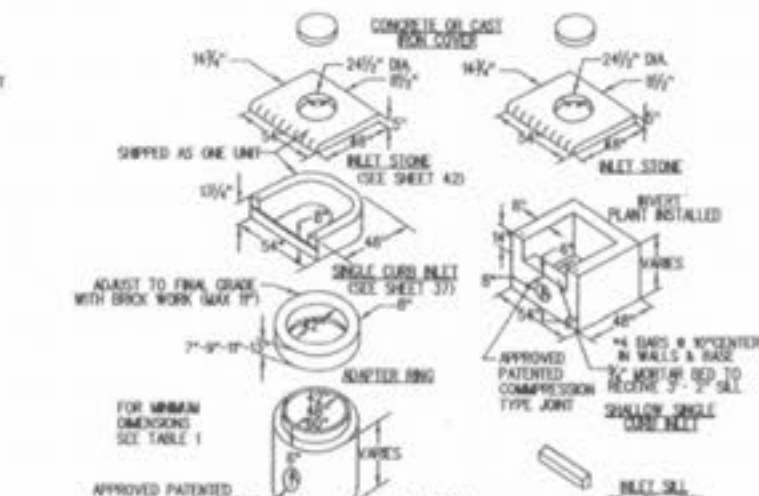
PIPE DIA.	AREA INLET	AREA INLET	AREA INLET
12"	12"	12"	12"
15"	15"	15"	15"
18"	18"	18"	18"
21"	21"	21"	21"
24"	24"	24"	24"
27"	27"	27"	27"
30"	30"	30"	30"
36"	36"	36"	36"
42"	42"	42"	42"
48"	48"	48"	48"
54"	54"	54"	54"
60"	60"	60"	60"
66"	66"	66"	66"
72"	72"	72"	72"
78"	78"	78"	78"
84"	84"	84"	84"
90"	90"	90"	90"
96"	96"	96"	96"
102"	102"	102"	102"
108"	108"	108"	108"
114"	114"	114"	114"
120"	120"	120"	120"
126"	126"	126"	126"
132"	132"	132"	132"
138"	138"	138"	138"
144"	144"	144"	144"
150"	150"	150"	150"
156"	156"	156"	156"
162"	162"	162"	162"
168"	168"	168"	168"
174"	174"	174"	174"
180"	180"	180"	180"
186"	186"	186"	186"
192"	192"	192"	192"
198"	198"	198"	198"
204"	204"	204"	204"
210"	210"	210"	210"
216"	216"	216"	216"
222"	222"	222"	222"
228"	228"	228"	228"
234"	234"	234"	234"
240"	240"	240"	240"
246"	246"	246"	246"
252"	252"	252"	252"
258"	258"	258"	258"
264"	264"	264"	264"
270"	270"	270"	270"
276"	276"	276"	276"
282"	282"	282"	282"
288"	288"	288"	288"
294"	294"	294"	294"
300"	300"	300"	300"
306"	306"	306"	306"
312"	312"	312"	312"
318"	318"	318"	318"
324"	324"	324"	324"
330"	330"	330"	330"
336"	336"	336"	336"
342"	342"	342"	342"
348"	348"	348"	348"
354"	354"	354"	354"
360"	360"	360"	360"

TABLE 1
PRECAST CONCRETE STORMWATER STRUCTURES
MINIMUM DISTANCE FROM TOP OF STONE OR GRATE

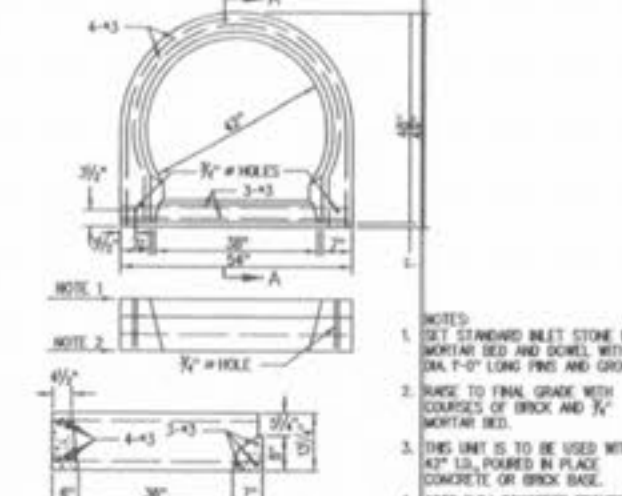
PRECAST CONCRETE
STORMWATER STRUCTURES



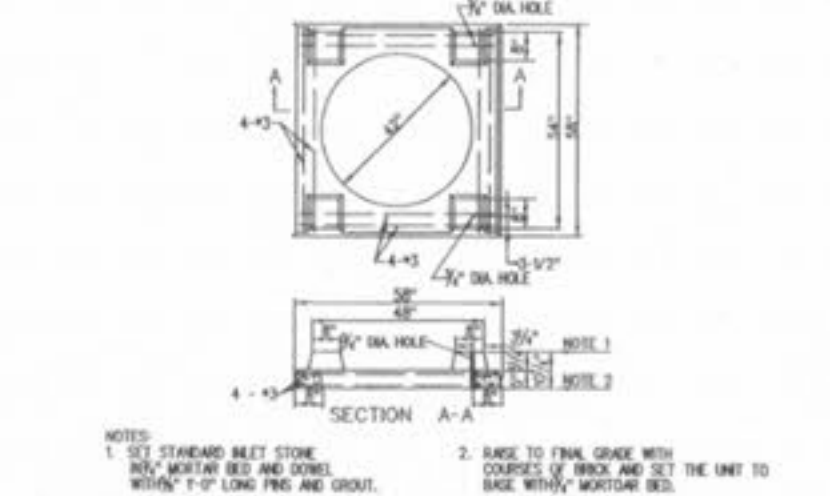
AREA INLETS PRECAST CONCRETE



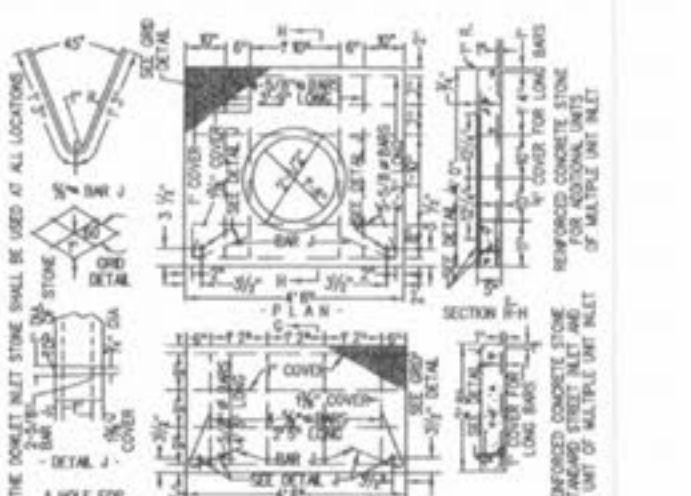
SINGLE STREET
INLETS PRECAST CONCRETE



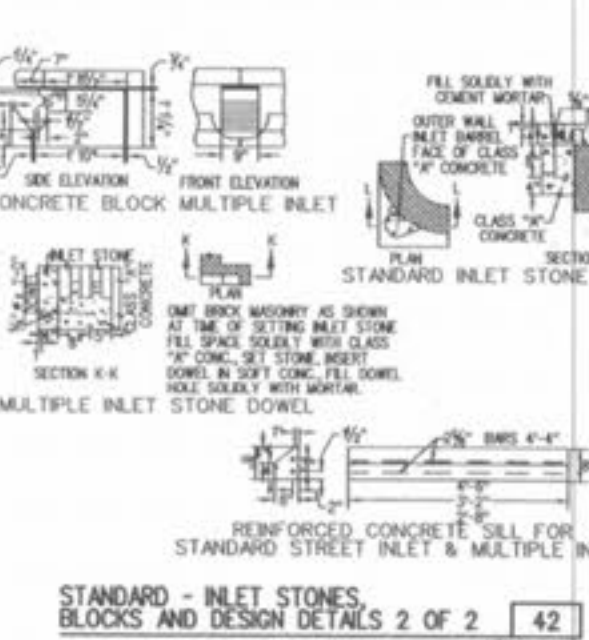
PRECAST CONCRETE
UNIT FOR SINGLE STREET INLET



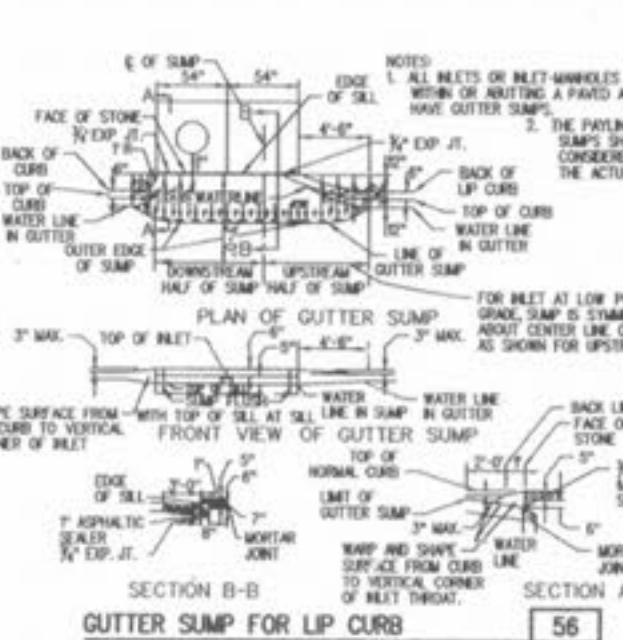
PRECAST CONCRETE
UNIT FOR 4 WAY AREA INLET



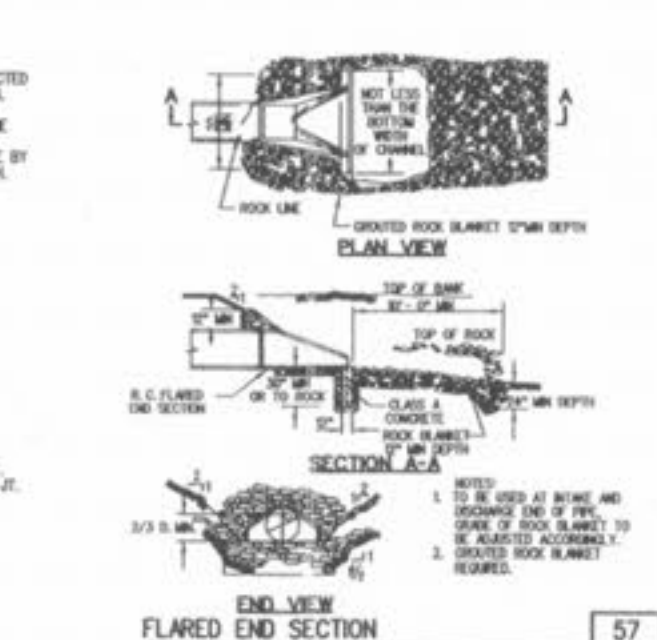
STANDARD - INLET STONES,
BLOCKS AND DESIGN DETAILS 1 OF 2



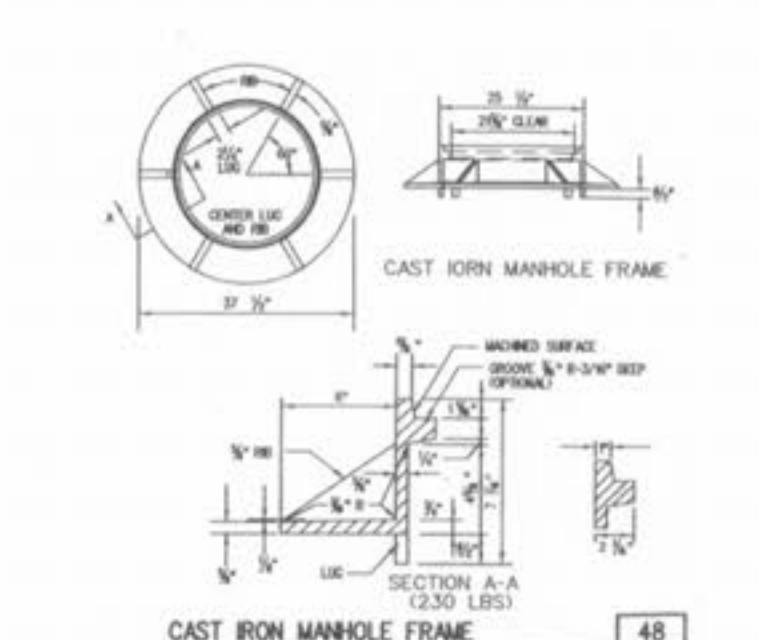
STANDARD - INLET STONES,
BLOCKS AND DESIGN DETAILS 2 OF 2



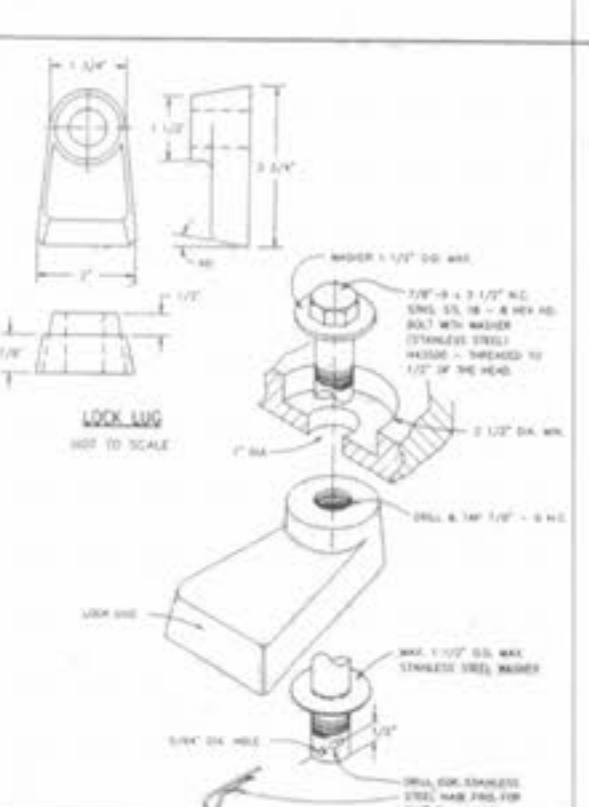
GUTTER SUMP FOR LIP CURB



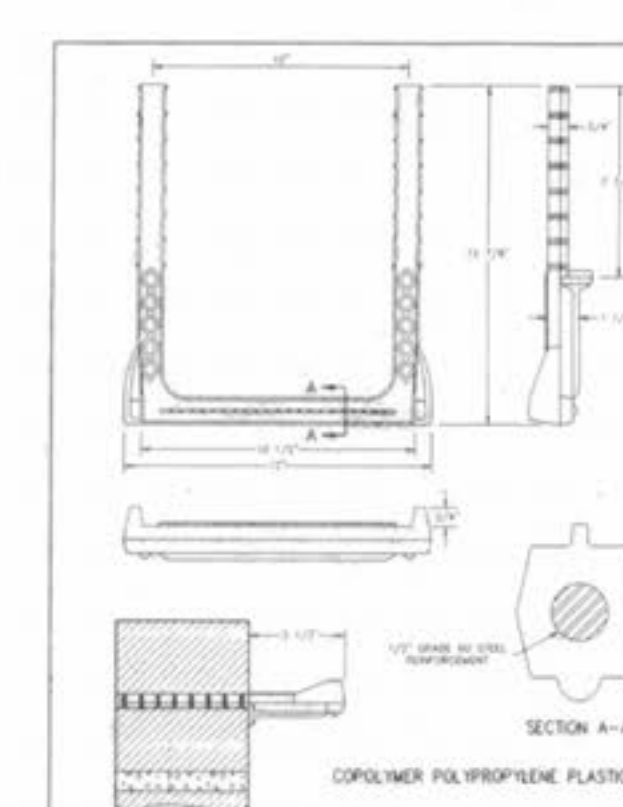
END VIEW
FLARED END SECTION



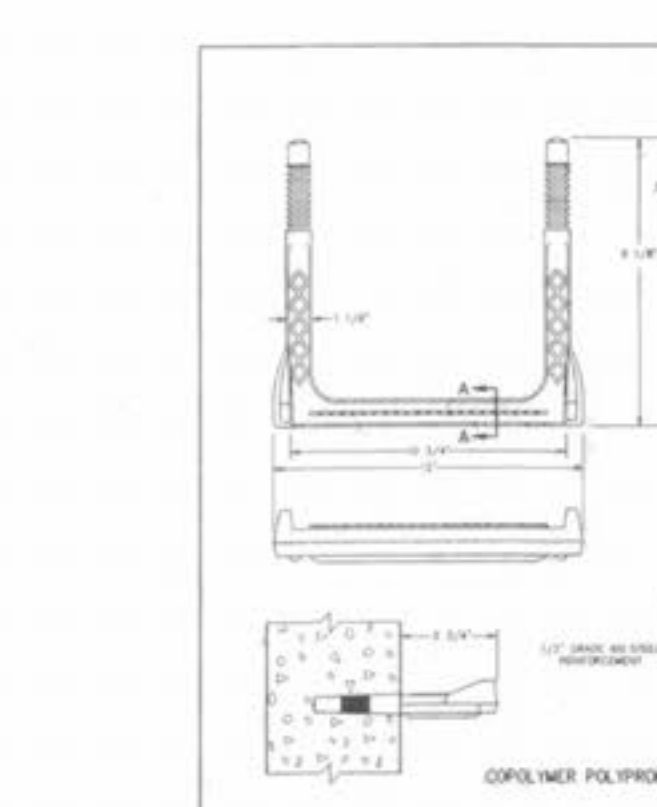
CAST IRON MANHOLE FRAME



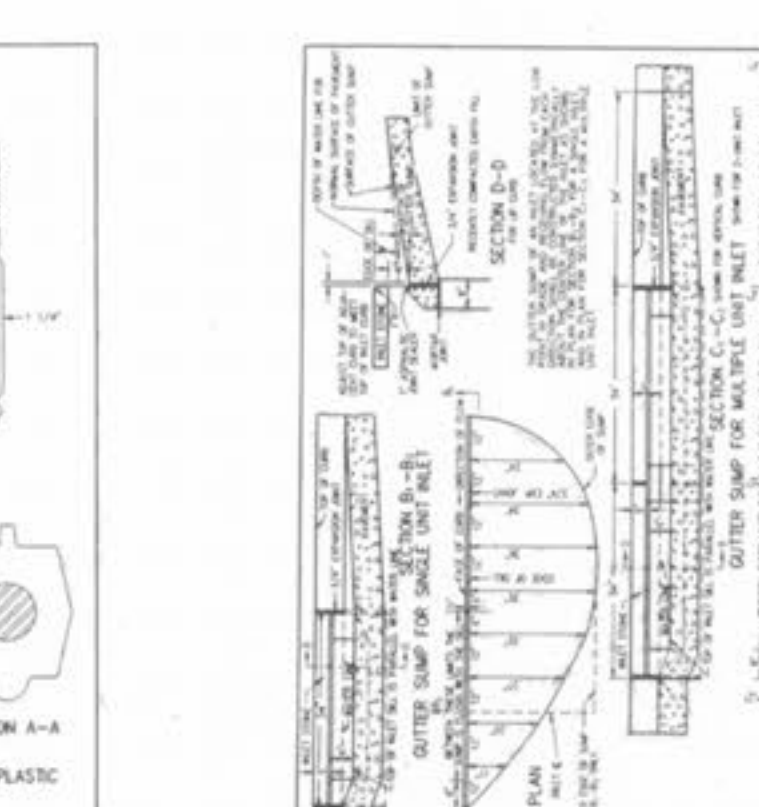
LOCKING DEVICE
FOR TYPE "N"
LOCK TYPE MANHOLE COVER



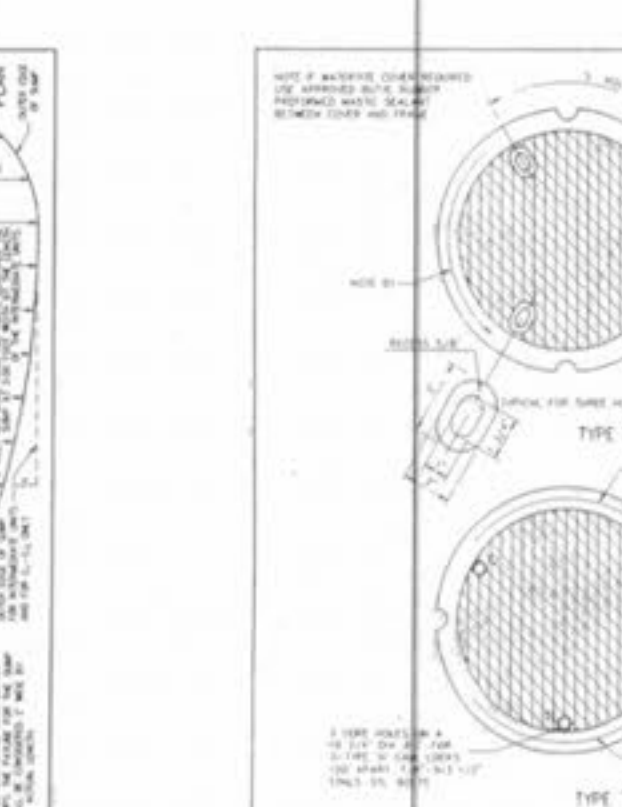
MANHOLE STEP
FOR PRECAST MANHOLE



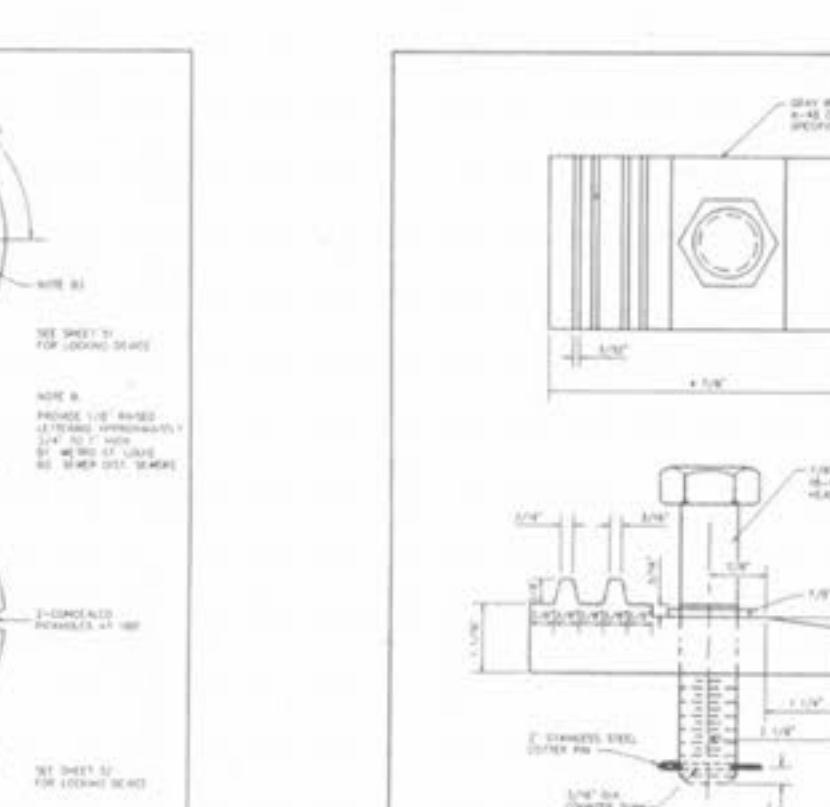
MANHOLE STEP FOR
PRECAST MANHOLE



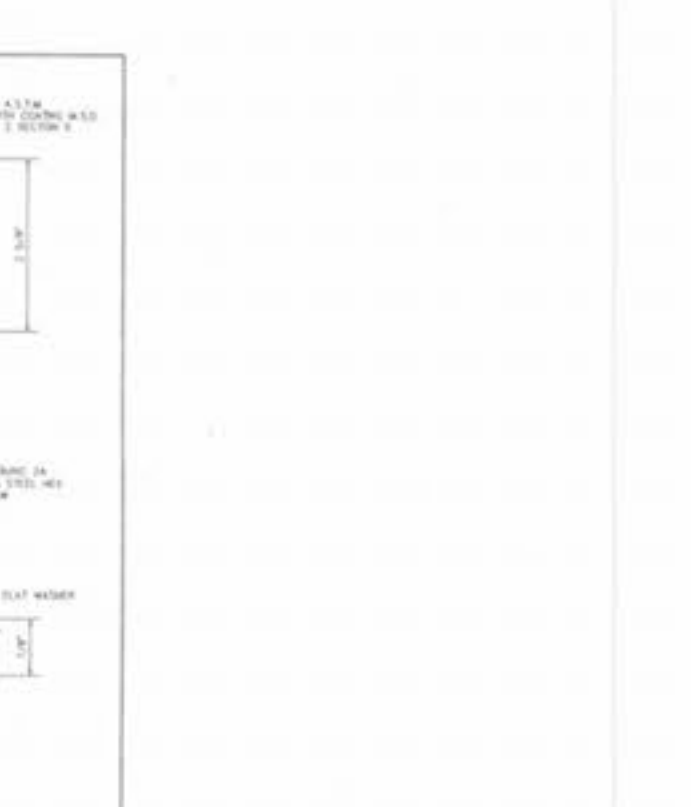
GUTTER SUMPS FOR
VERTICAL CURB



CAST IRON MANHOLE
COVER
(BLOCK TYPE)



LOCKING DEVICE
FOR TYPE "T"
LOCK TYPE MANHOLE COVER



LOCKING DEVICE
FOR TYPE "T"
LOCK TYPE MANHOLE COVER

WALDEN POND,
L.L.C.
2529 LEMAY
FERRY RD.
ST. LOUIS, MO. 63125



THE VILLAGES AT WALDEN POND

CONSTRUCTION DETAILS
Design By: G.A.S.
Drawn By: G.A.S.
Checked By: E.A.K.
B-5973
12-22-99
17