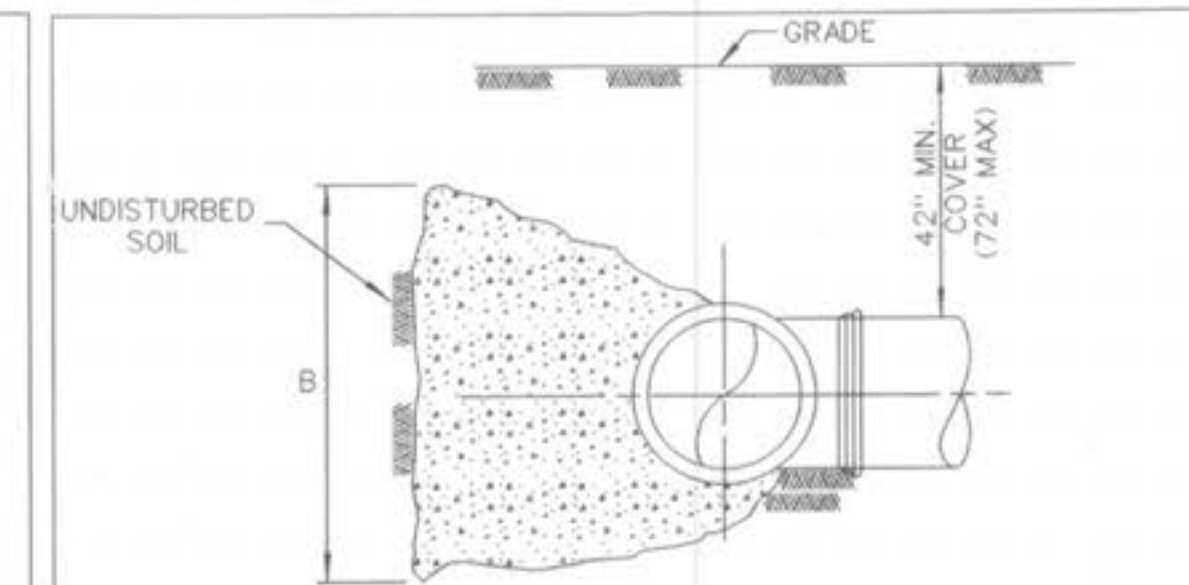
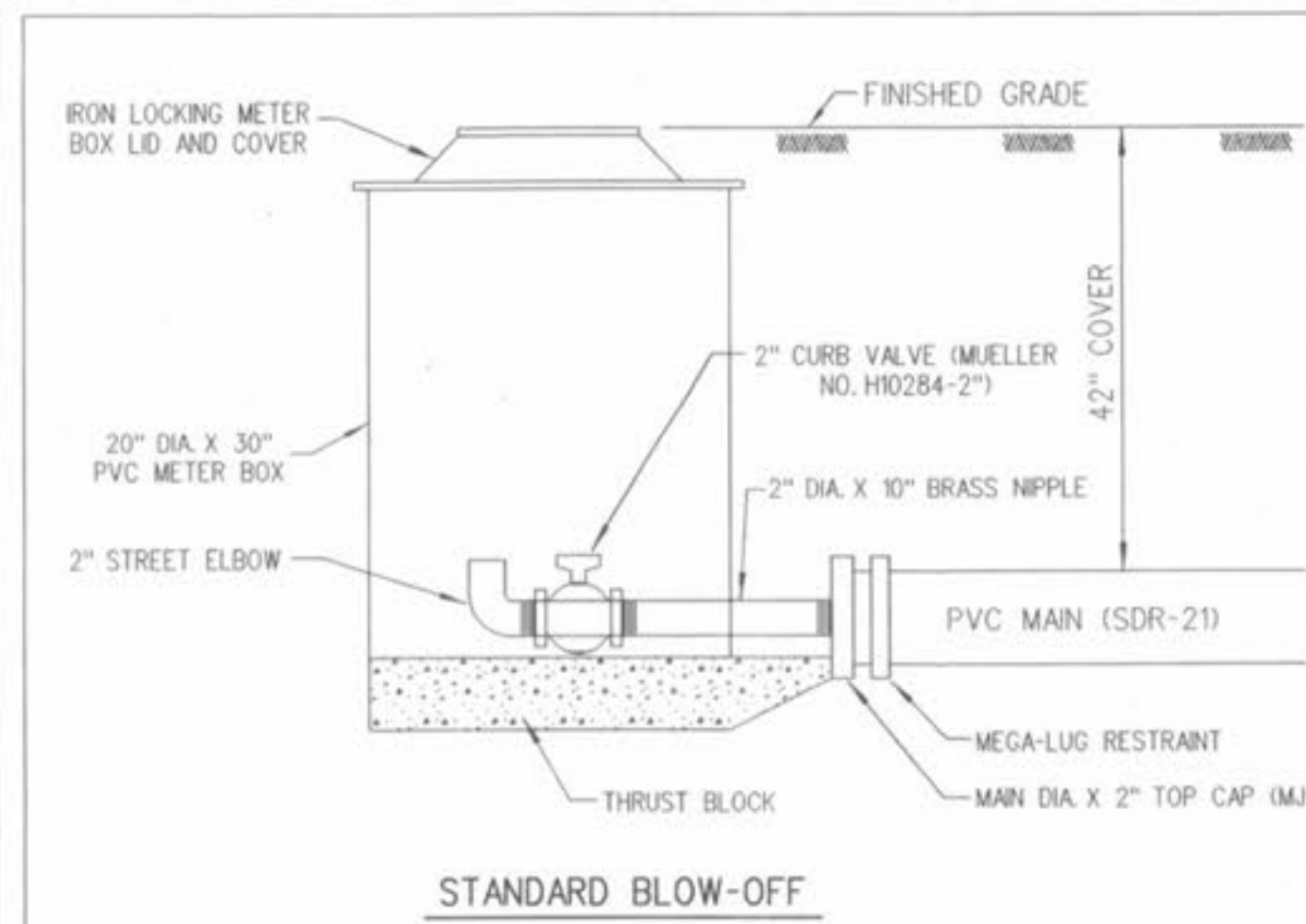
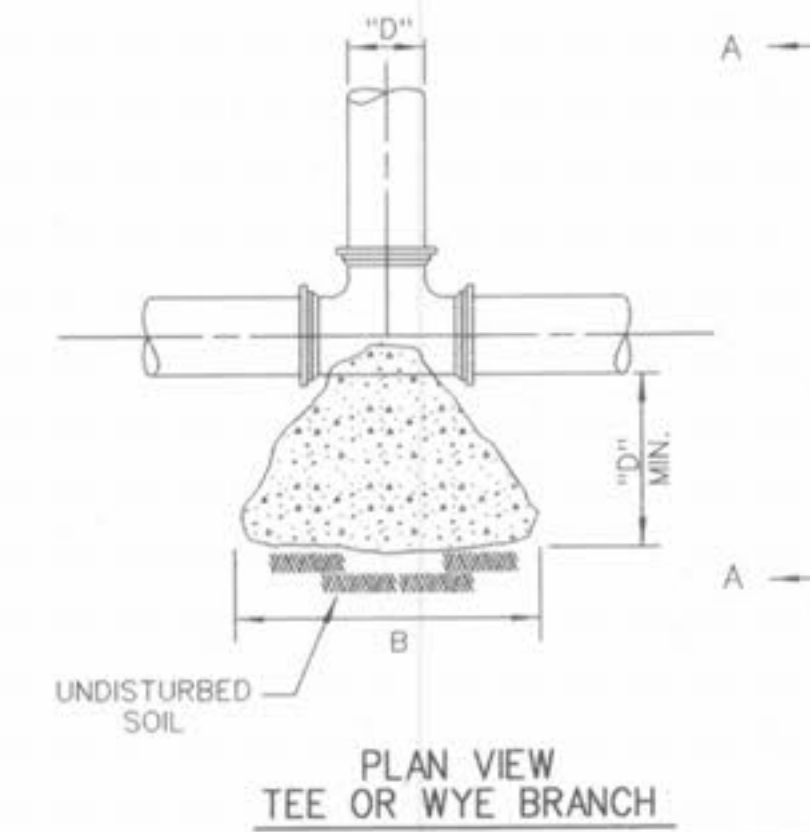


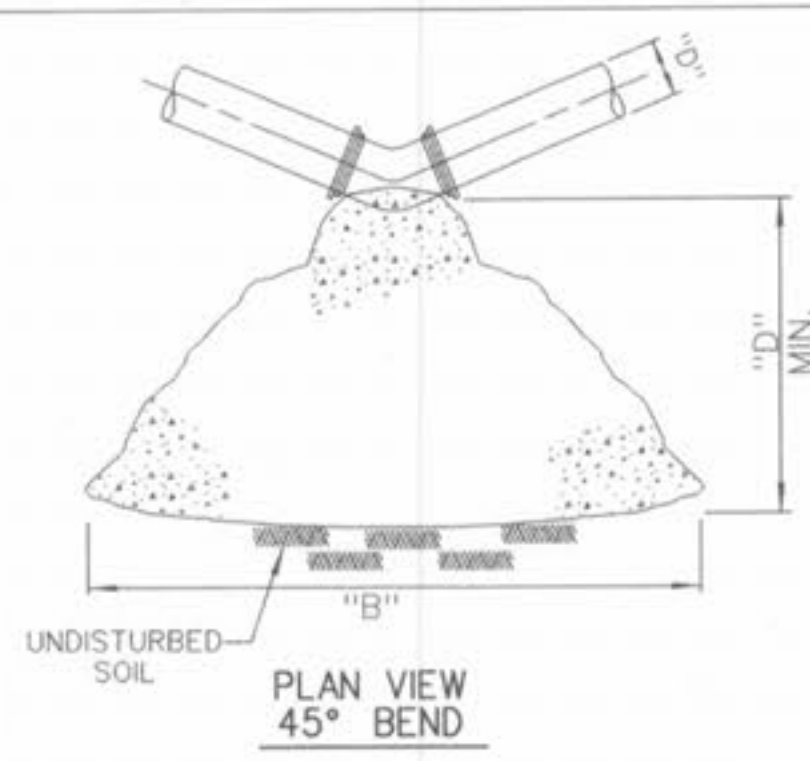
- MATERIAL LIST - 1" WATER METER SERVICE**
- 1" Sensus SR11 MTR, TRPL, 100 GL PLAS BNT
  - 1" Meter Yoke with 12" Rise and Locking Ball Valve (B2404-1")
  - 1" Corporation Stop (H25008-1")
  - 2 - 1" End Connectors, Compression (H-14227-1")
  - 20 6150 MTR Box Cover LN w/TR
  - 20" X 30" Meter Tile (MIDSTATES)
  - 1" X 8" Tapping Saddle, PVC (H13433-1")
  - 1" X 10" Tapping Saddle, PVC (H13434-1")
  - 1" X 6" Tapping Saddle, PVC



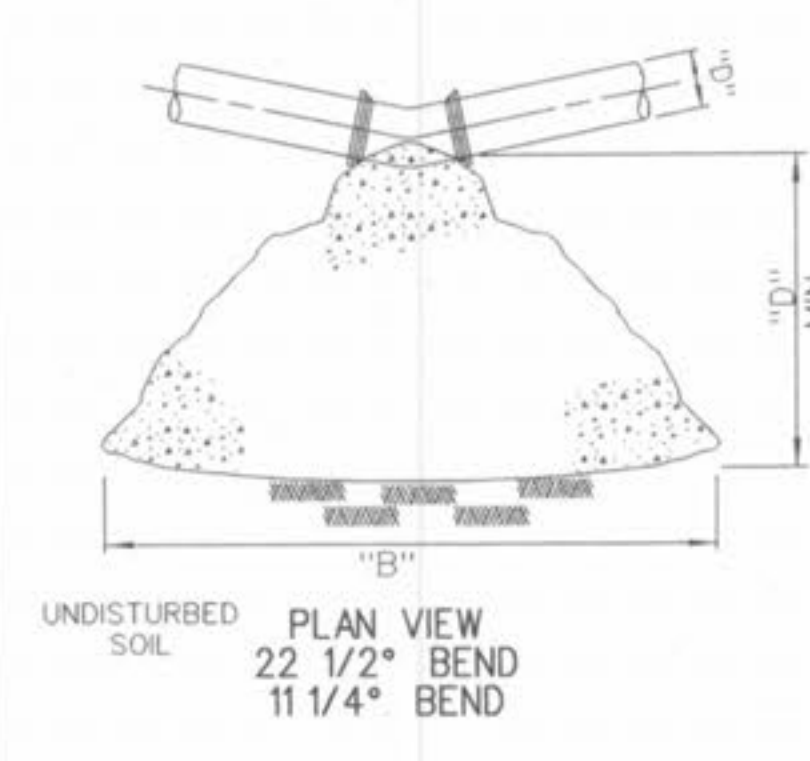
SECTION "A - A"  
TYPICAL FOR ALL THRUST BLOCKS EXCEPT AS NOTED



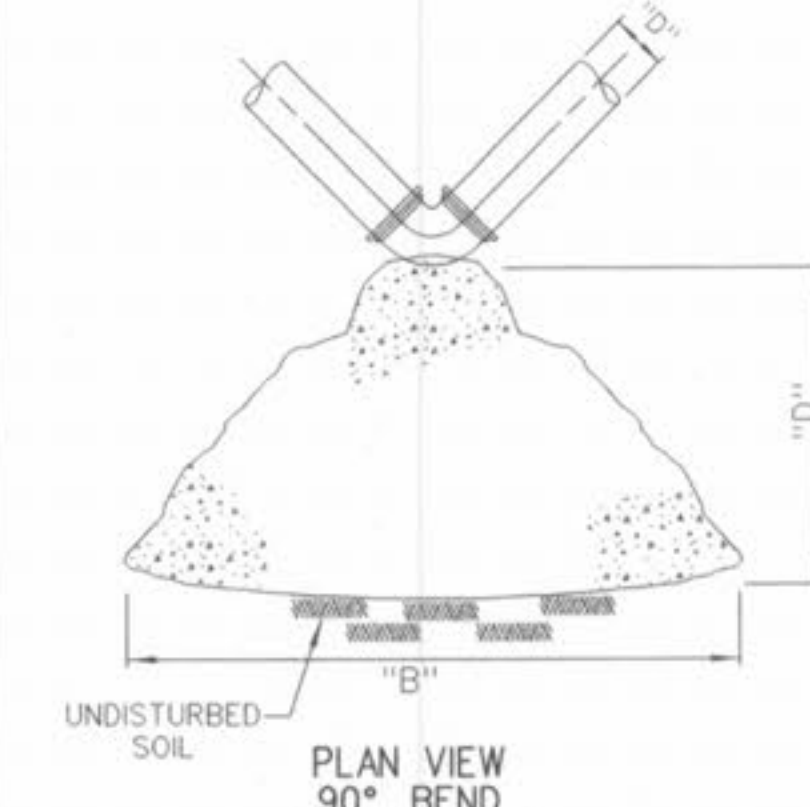
PLAN VIEW  
TEE OR WYE BRANCH



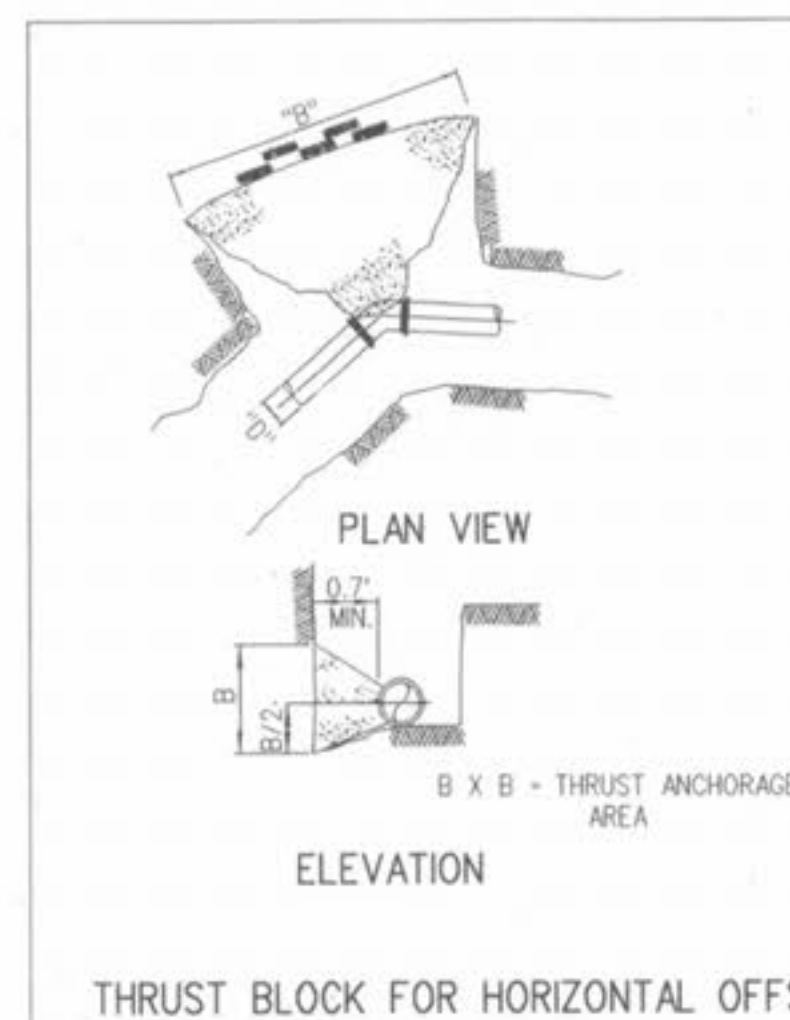
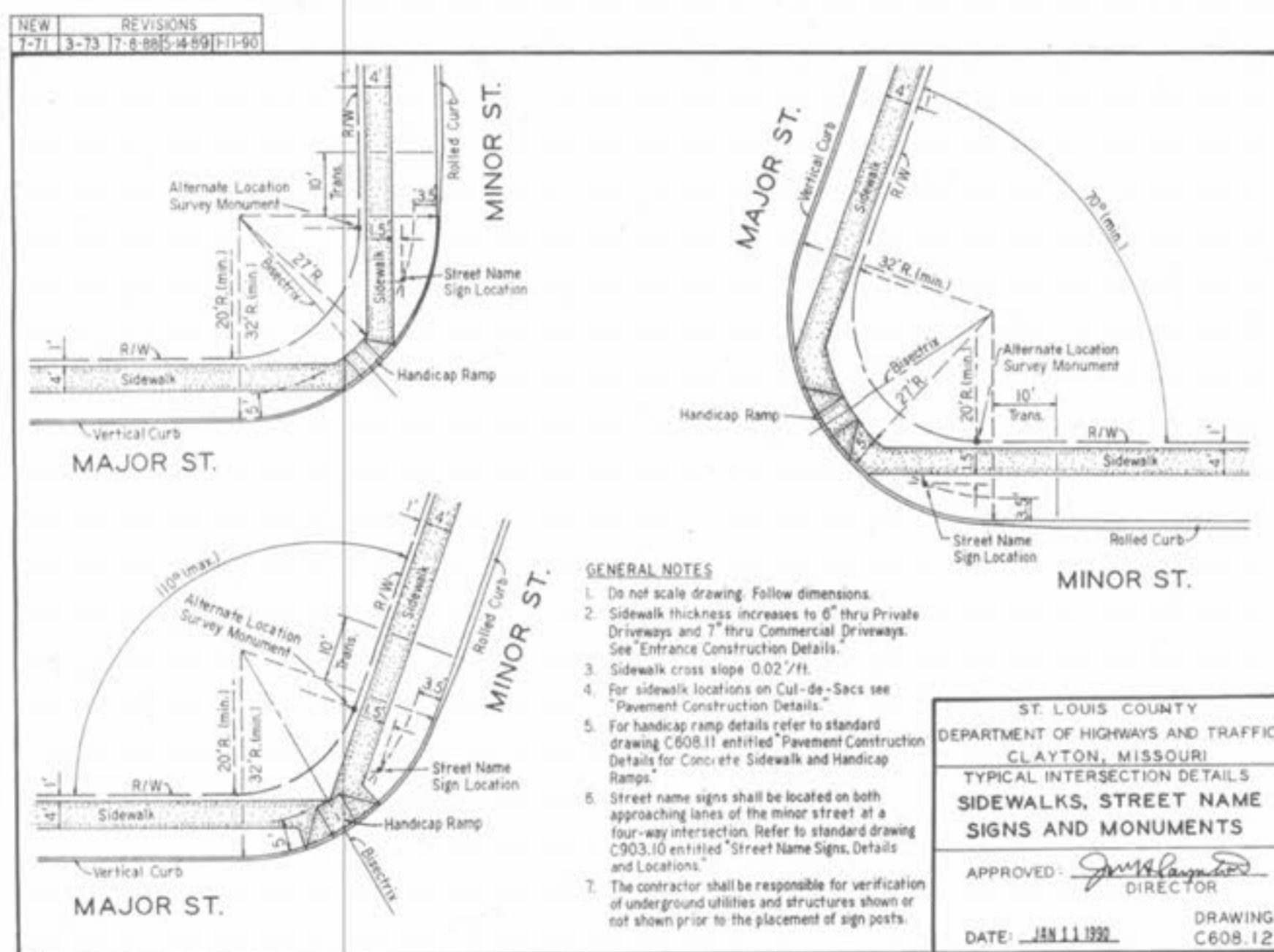
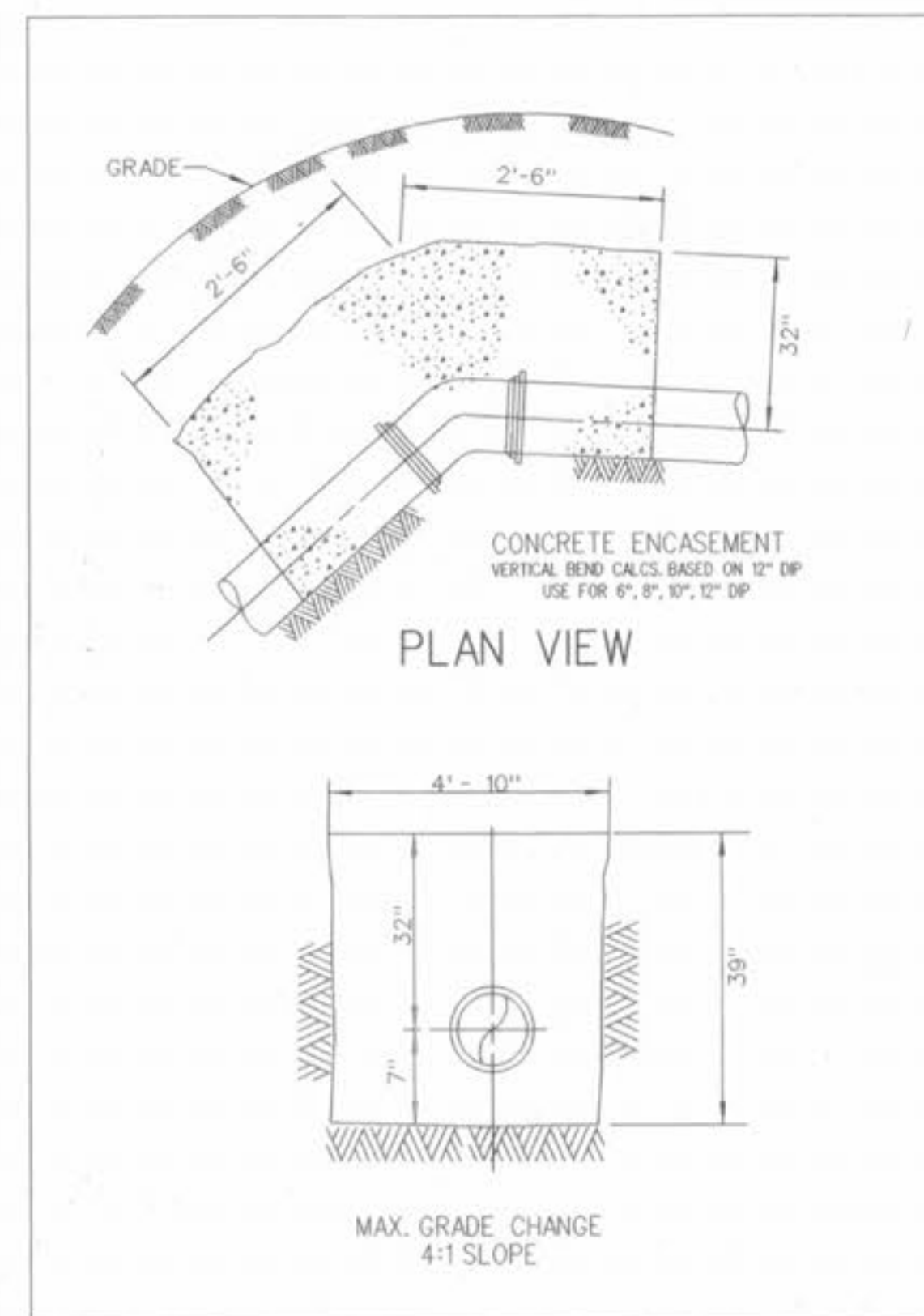
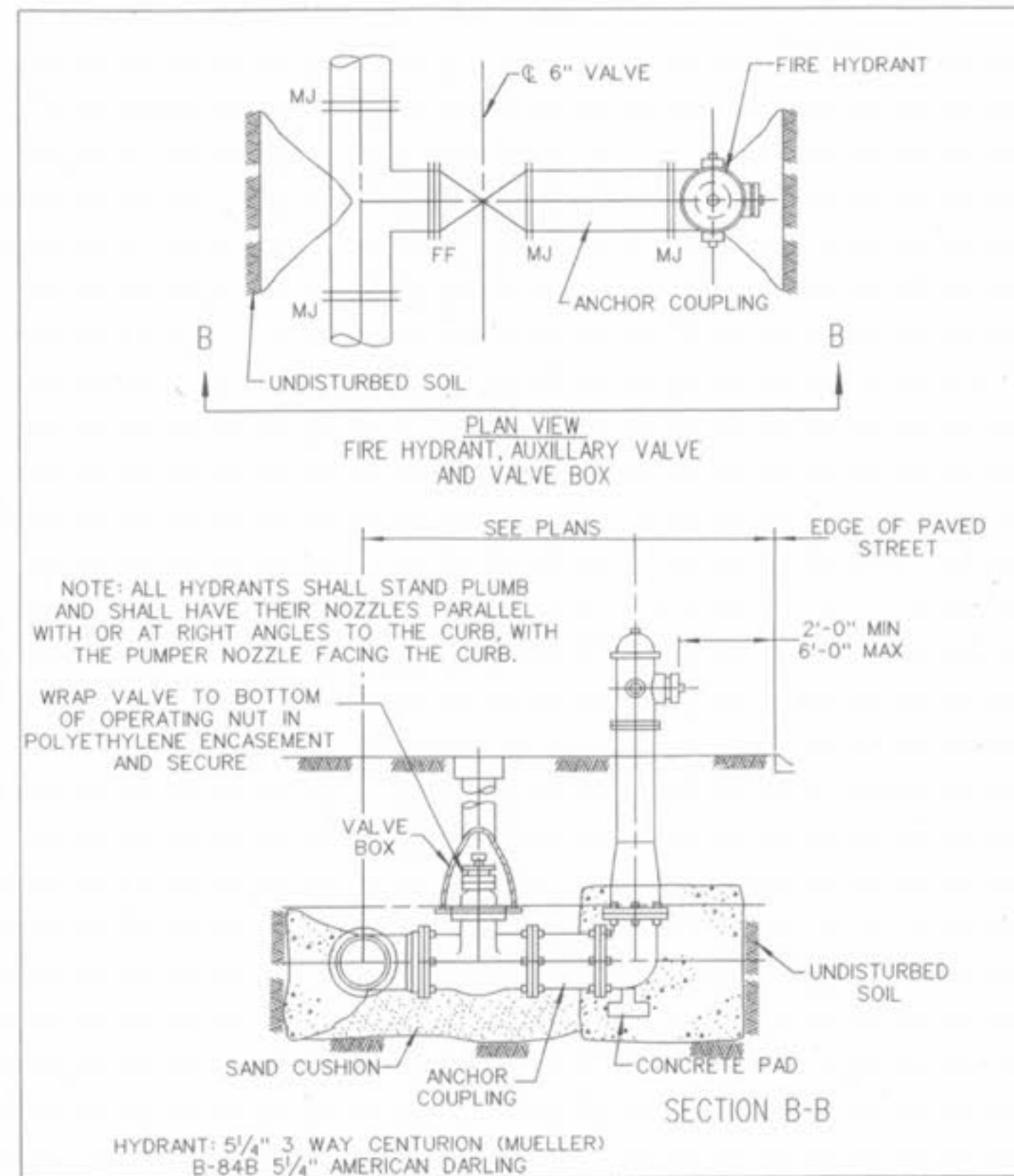
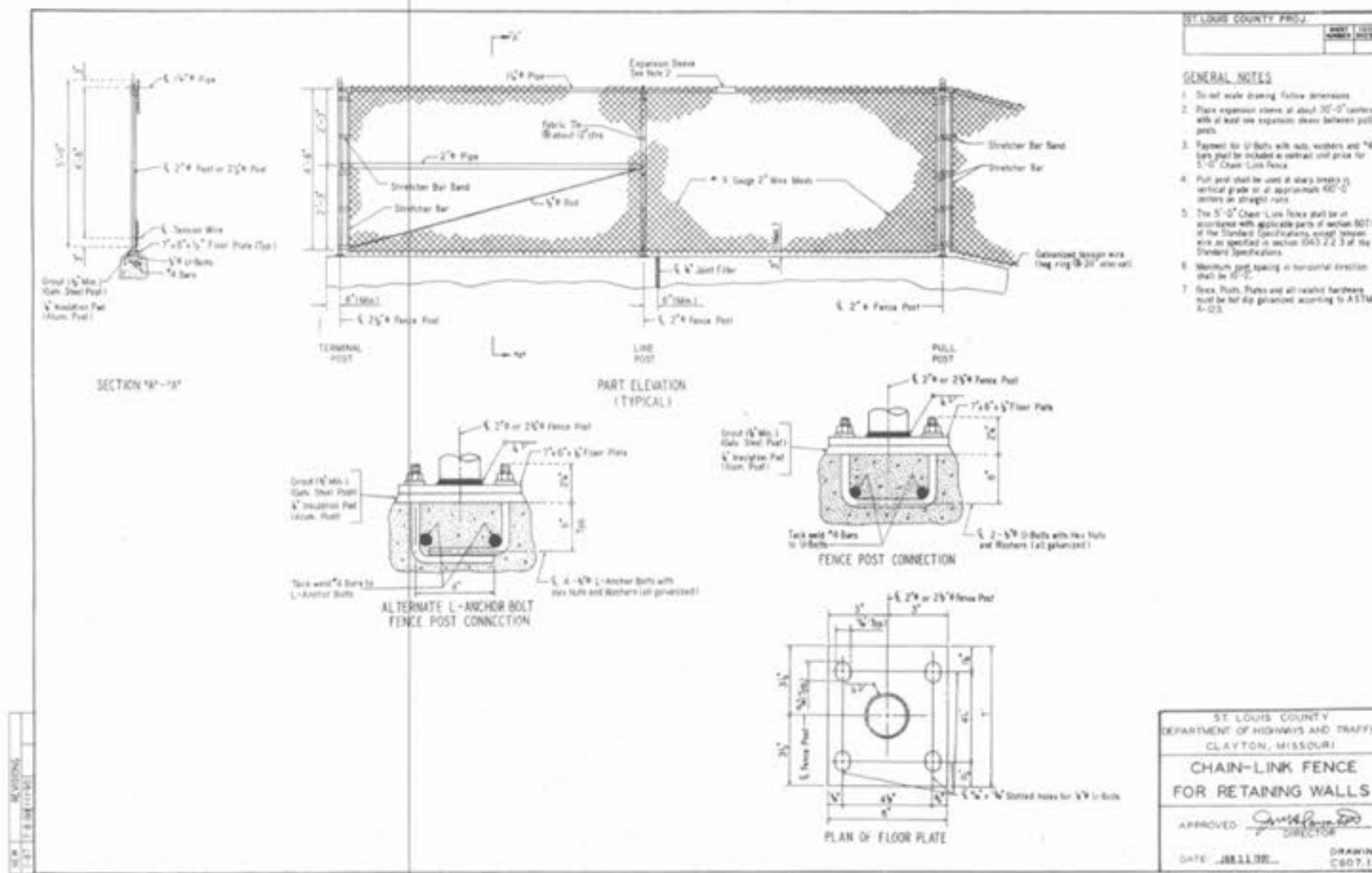
PLAN VIEW  
45° BEND



PLAN VIEW  
22 1/2° BEND  
11 1/4° BEND



PLAN VIEW  
90° BEND



PIPE DIA.	90° BENDS		45° BENDS		22.5° BENDS		WYES & TEES	
	B	D	B	D	B	D	B	D
2"	1.0	0.7	1.0	0.7	1.0	0.7	1.0	0.7
3"	1.0	0.7	1.0	0.7	1.0	0.7	1.0	0.7
4"	1.0	0.7	1.0	0.7	1.0	0.7	1.0	0.7
6"	1.4	1.0	1.0	1.0	1.0	1.0	1.0	1.0
8"	1.8	1.0	1.0	1.0	1.0	1.0	2.2	1.0
10"	2.3	1.2	1.7	1.2	1.2	1.2	2.7	1.2
12"	2.7	1.4	2.0	1.4	1.4	1.4	3.2	1.4
14"	3.2	1.5	2.4	1.5	1.7	1.5	3.2	1.5
16"	3.6	1.7	2.7	1.7	1.9	1.7	4.3	1.7

Dimensions are in feet. Use above thrust block dimensions unless poor soil conditions (organics, saturated clay, etc.) dictate use of larger thrust area. See chart at top center of this sheet for determination of area of thrust block in poor soil conditions.