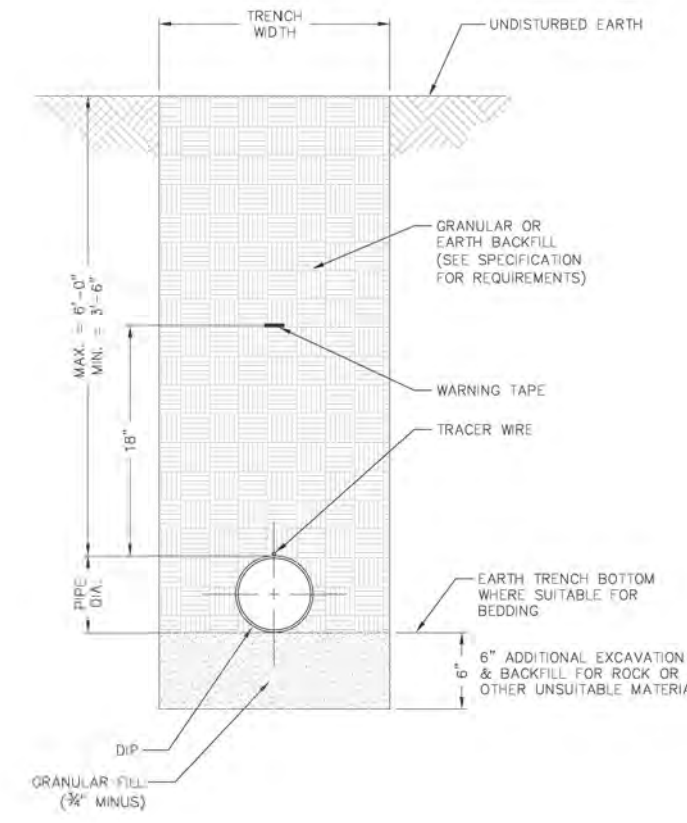
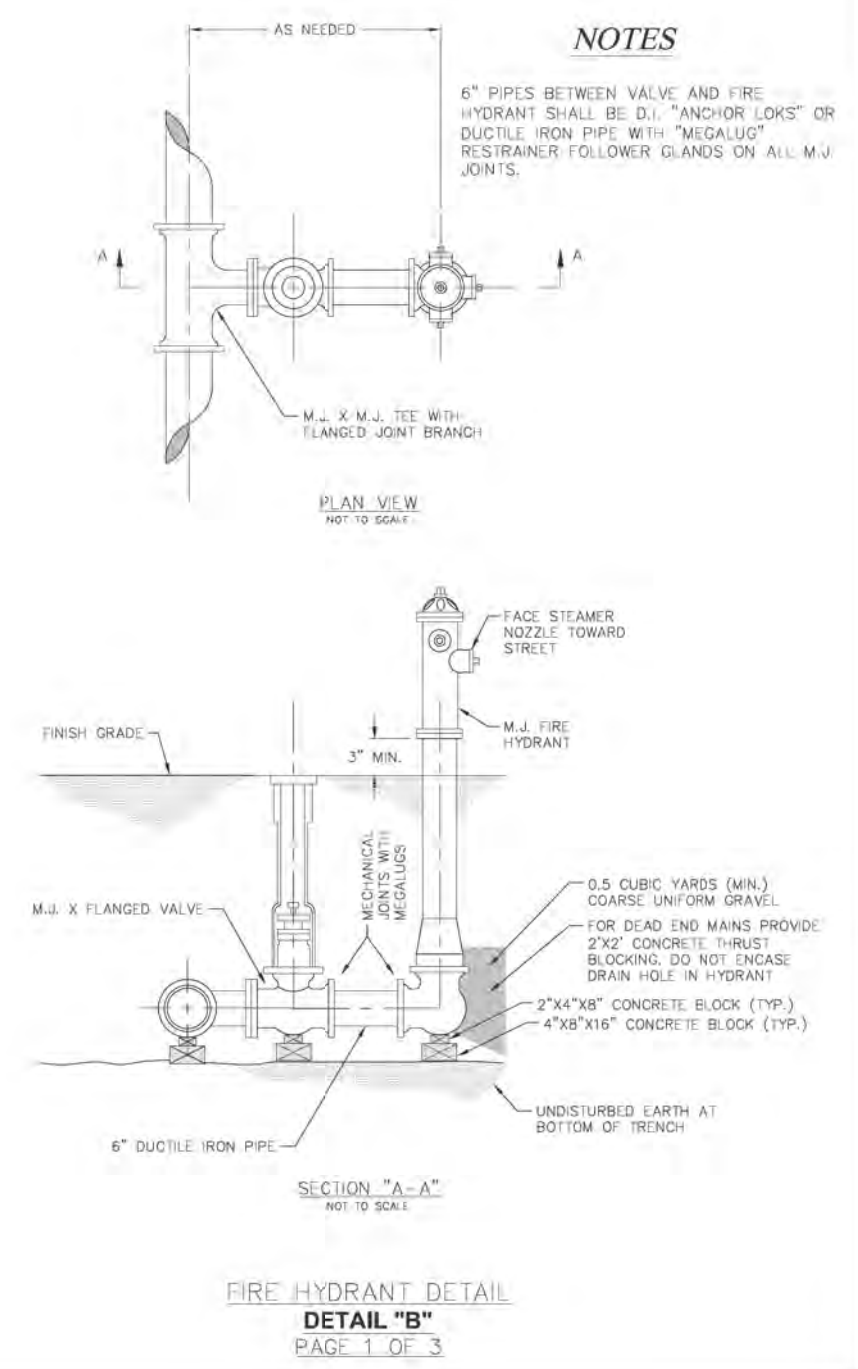


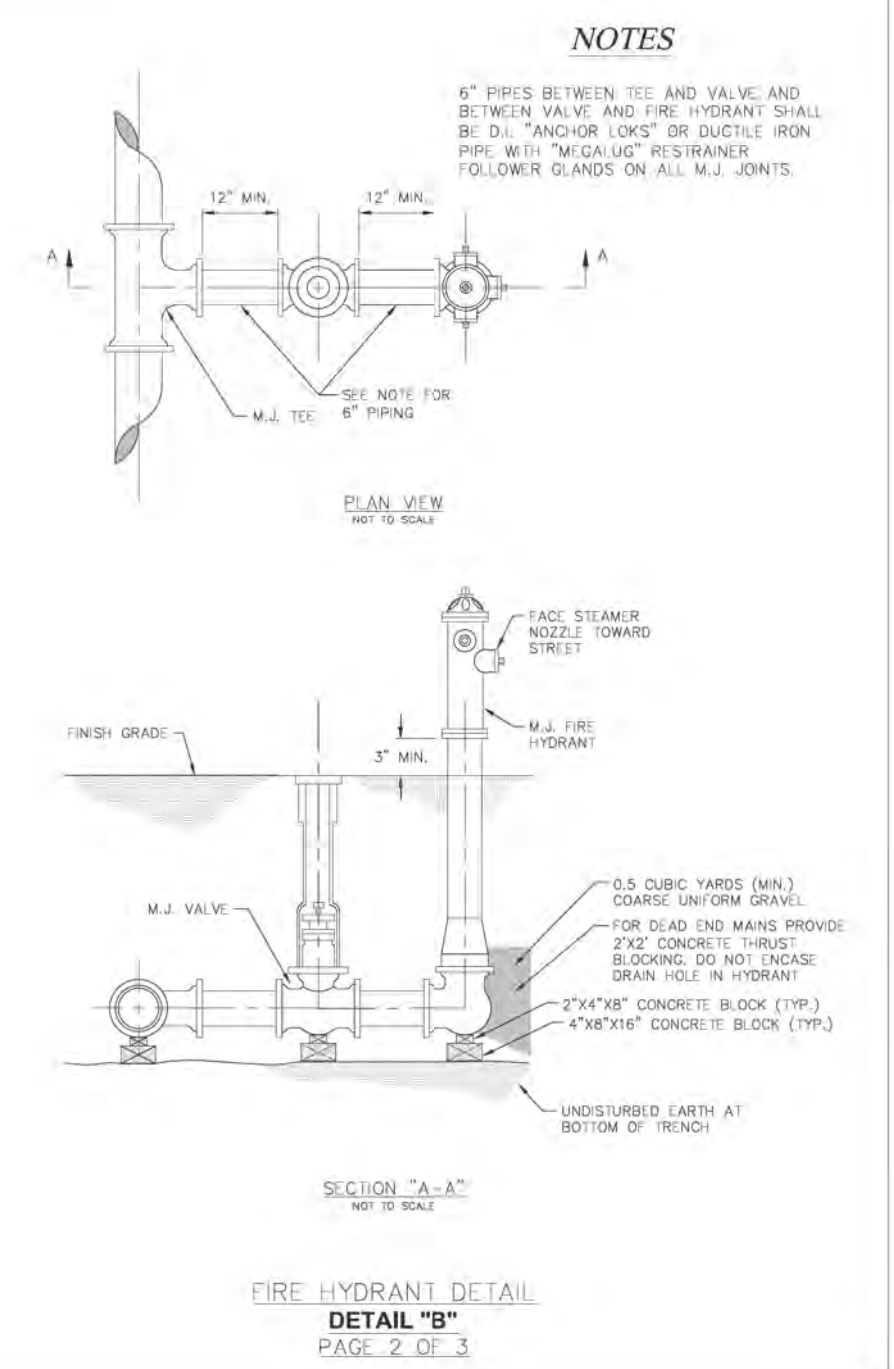
NOTES
1) SEE SPECIFICATIONS FOR ADDITIONAL DETAILS FOR BEDDING AND BACKFILL.
TYPICAL TRENCH SECTION FOR PVC PIPE
DETAIL "A"
PAGE 1 OF 2



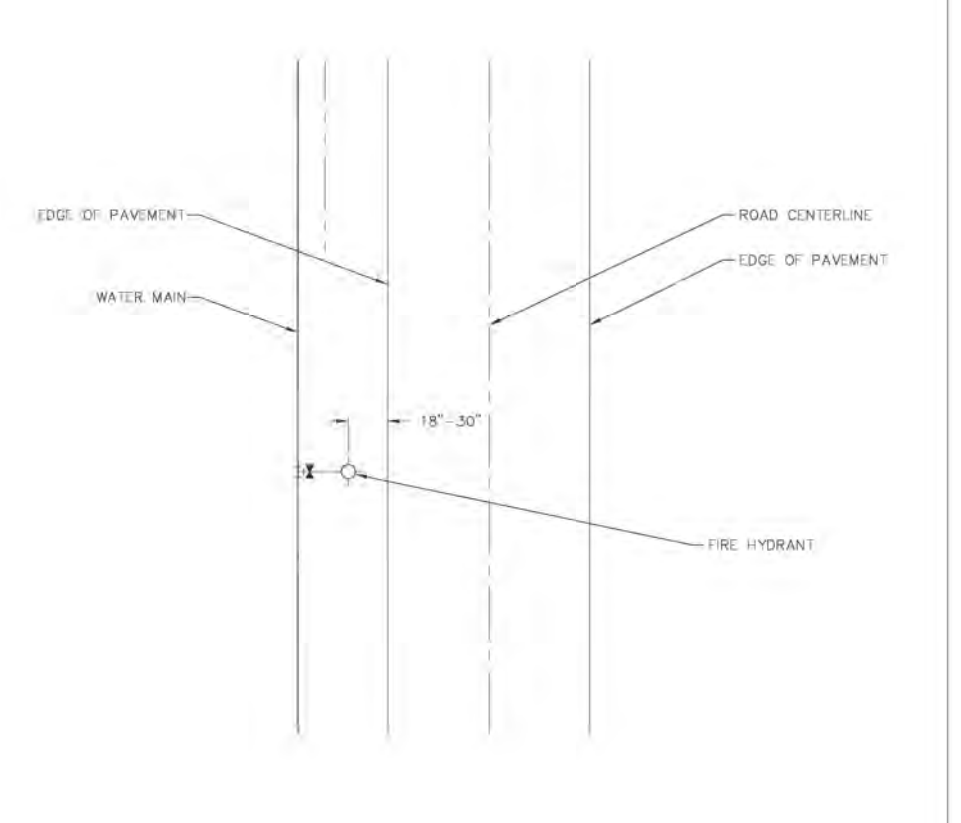
NOTES
1) POLYWRAP REQUIRED FOR DUCTILE IRON PIPE
2) SEE SPECIFICATIONS FOR ADDITIONAL DETAILS FOR BEDDING AND BACKFILL.
TYPICAL TRENCH SECTION FOR DUCTILE IRON PIPE
DETAIL "A"
PAGE 2 OF 2



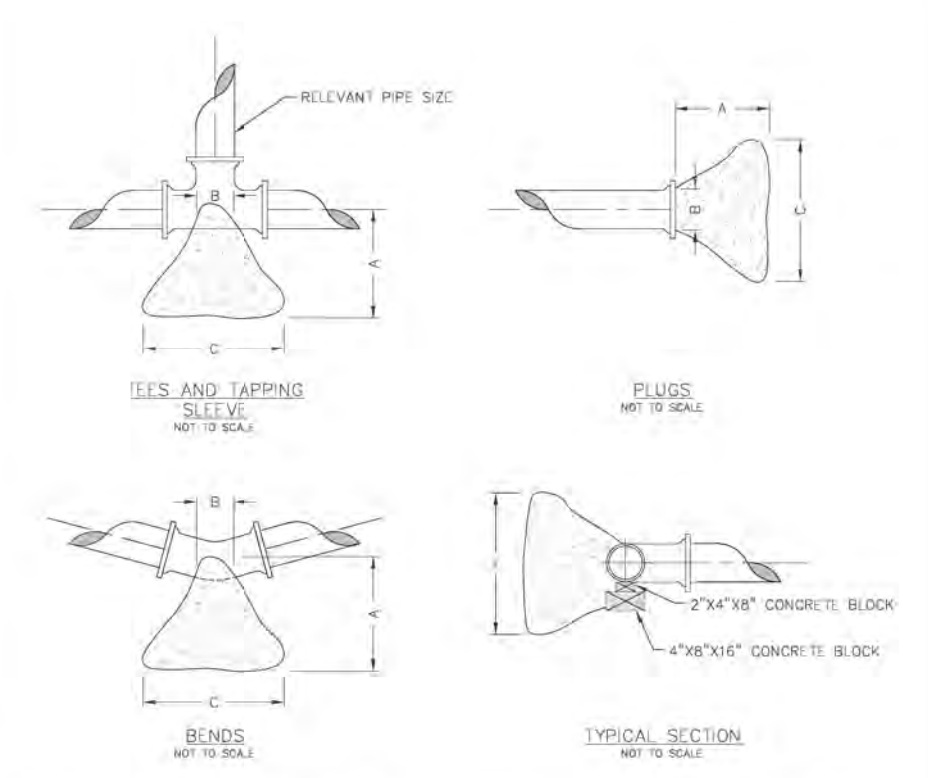
FIRE HYDRANT DETAIL
DETAIL "B"
PAGE 1 OF 3



FIRE HYDRANT DETAIL
DETAIL "B"
PAGE 2 OF 3



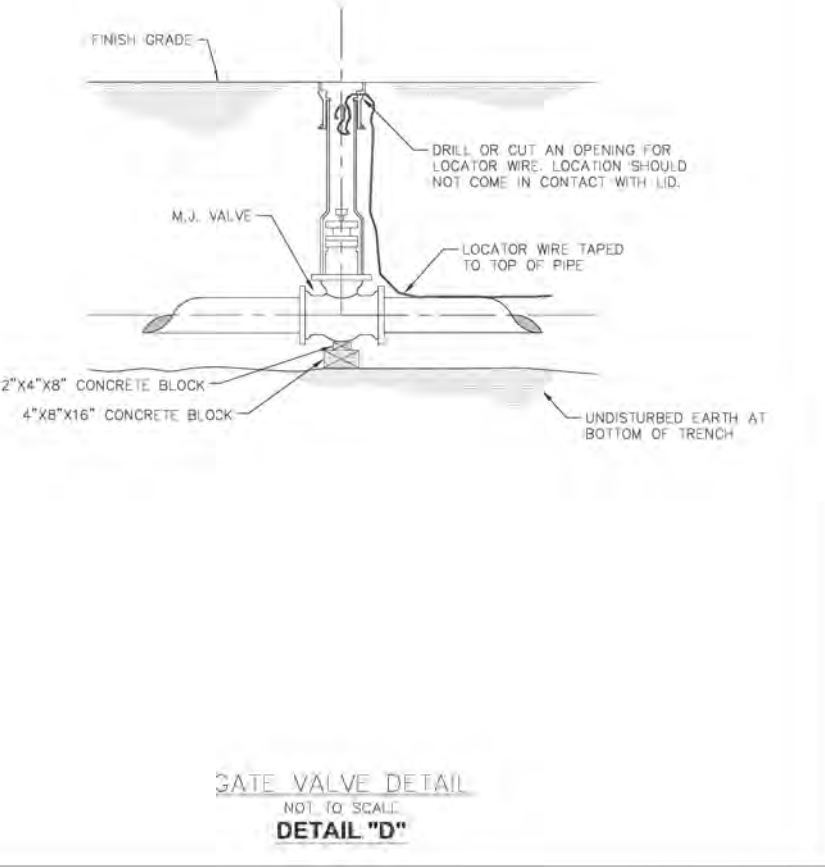
FIRE HYDRANT LOCATION
DETAIL "B"
PAGE 3 OF 3



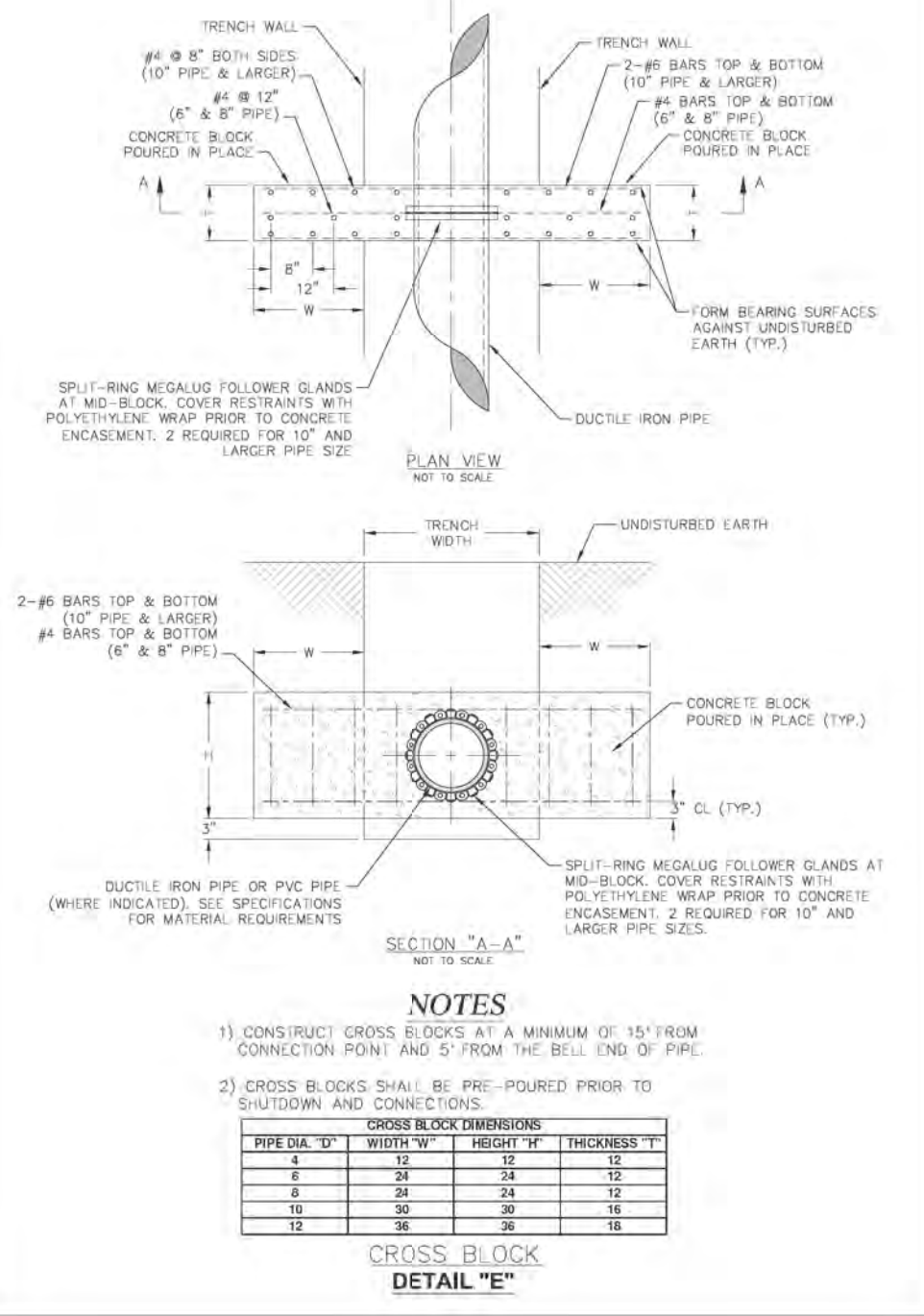
THRUST BLOCK DIMENSIONS - INCHES

PIPE DIA.	ALL FTGS.		TEE PLUG TAPPING		90 DEGREE BEND		45 DEGREE BEND		22-1/2 BEND		11-1/4 BEND	
	A	B	C	H	C	H	C	H	C	H	C	H
4	14	4	24	12	26	15	18	12	12	12	12	12
6	16	6	36	18	38	24	30	18	24	12	12	12
8	20	8	50	30	42	36	36	24	24	18	18	12
10	26	10	66	36	58	42	42	30	24	24	18	18
12	32	12	82	42	74	52	52	36	30	24	24	18

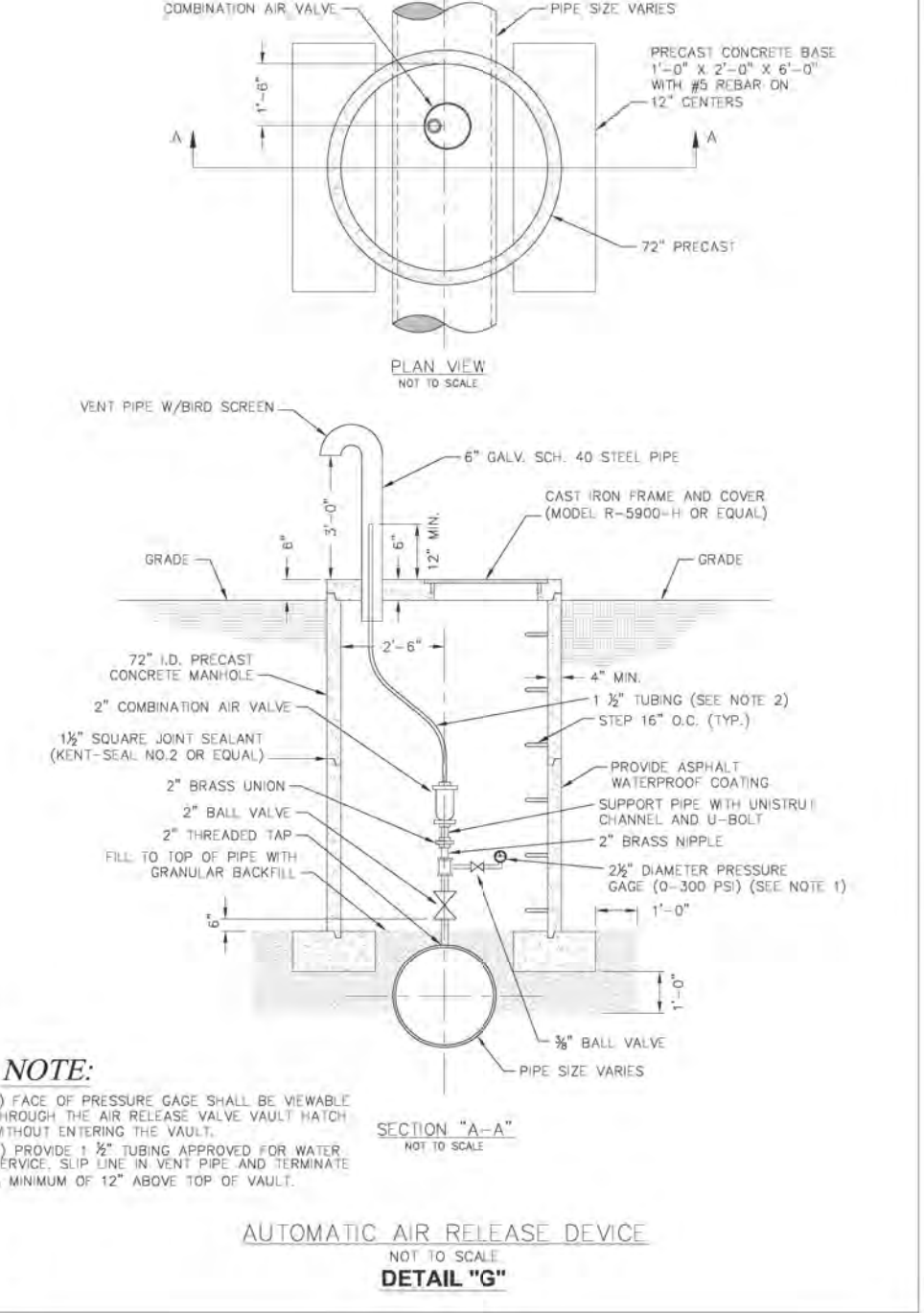
NOTE
FOR FITTINGS LARGER THAN 12" SPECIAL RESTRAINT DESIGNS ARE REQUIRED.
HORIZONTAL THRUST BLOCKING
DETAIL "C"



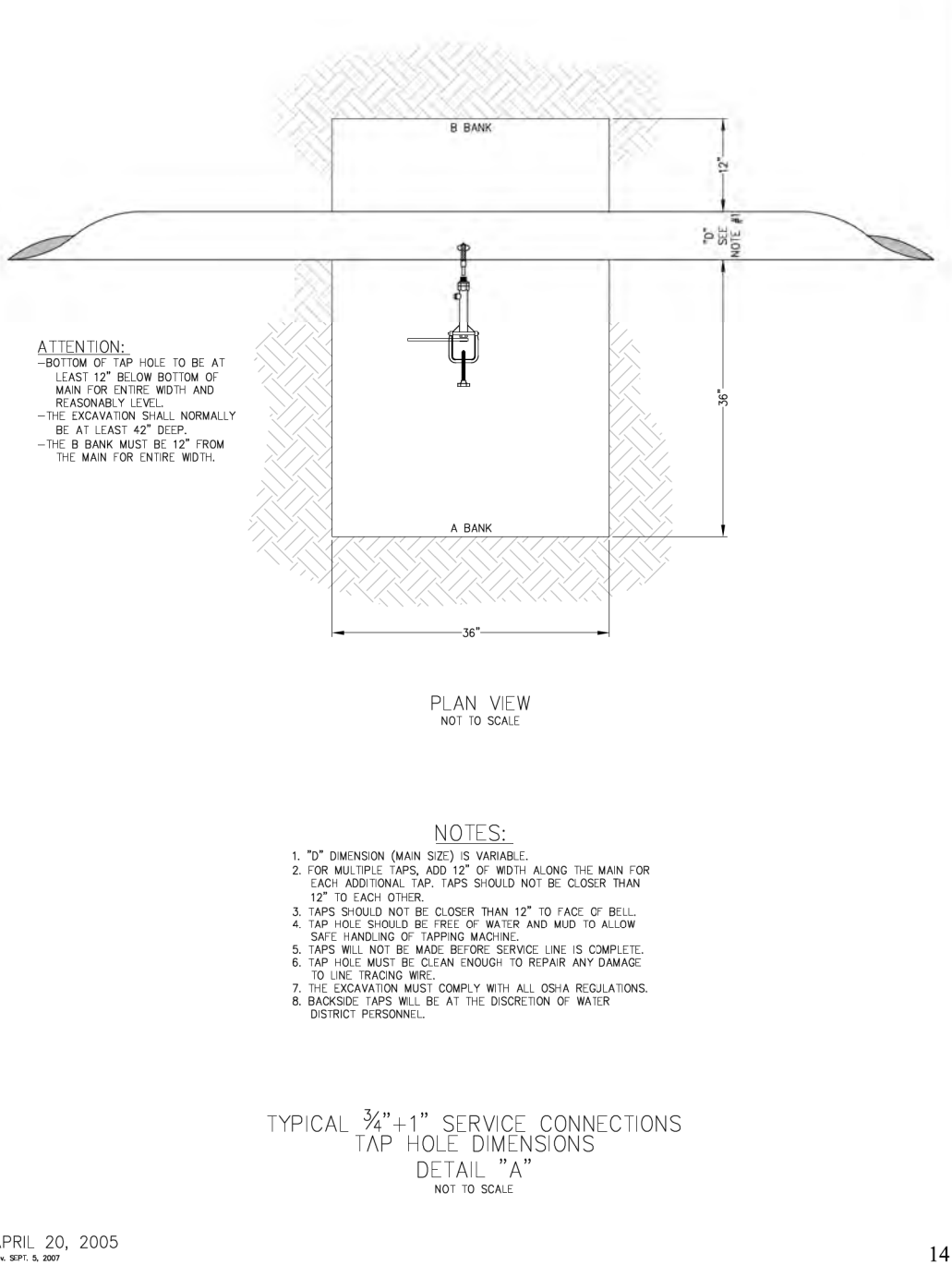
GATE VALVE DETAIL
DETAIL "D"



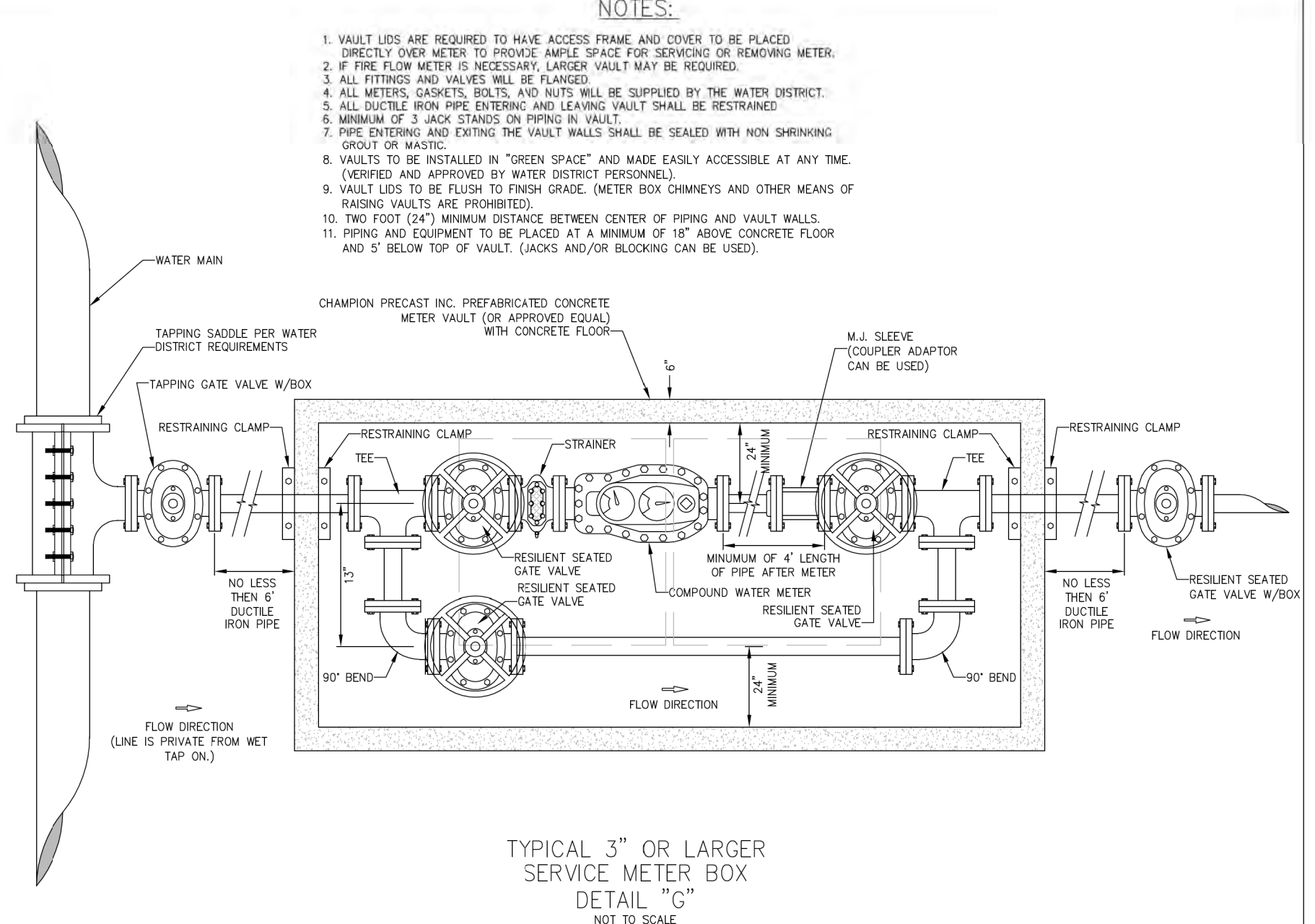
CROSS BLOCK DETAIL
DETAIL "E"



AUTOMATIC AIR RELEASE DEVICE
DETAIL "G"



TYPICAL 3/4" SERVICE CONNECTIONS TAP HOLE DIMENSIONS
DETAIL "A"



TYPICAL 3" OR LARGER SERVICE METER BOX
DETAIL "G"

APRIL 20, 2005