

LEGEND

TREES			
TYPE	QTY	NAME	SIZE
93	Street Tree	Tree Lilac / Coral Burst Crab / Sagentina Crab	2"
35	Shade Tree	Red Maple / Locust / Linden	2"
85	Evergreen Tree	Green Giant / White Pine / Norway Spruce	6"
36	Flowering Tree	Tree Lilac / Coral Burst Crab / Sagentina Crab	2"
230	Upright Evergreen	Taylor Juniper / Dragon Holly / Emerald Green	6"
SHRUBS			
49	Evergreen Shrub	China Holly / Sea Green / Boxwood	5 gal
97	Deciduous Shrub	Nine Bark / Lilac / Knock out Rose	5 gal
132	Flowering Shrub	Spiraea / Weigela / Pygmy Barberry	5 gal
340	Evergreen Shrub	China Holly / Sea Green / Boxwood	5 gal
MULCH			
130	Mulch		Cy.
180	Rock		Ton

For every one hundred (100) feet of frontage where the buffer yard is required: A total of three (3) plant units shall be provided with in a minimum fifty (50) foot wide buffer yard area.

A plant unit shall consist of a combination of landscape materials which shall equal thirty (30) points where deciduous canopy trees measuring two (2) to two and one-half (2.5) inch caliper equal ten (10) points each, evergreen trees measuring six (6) to eight (8) feet tall equal ten (10) points each, ornamental deciduous trees measuring one and one-half (1.5) to two (2) inch caliper equal five (5) points each, and shrubs measuring eighteen (18) to twenty-four (24) inches tall or three (3) to four (4) feet wide equal one (1) point each.

Units Required

1454 x 3	Plant Unit = 43.62	Plant Unit
603 x 3	Plant Unit = 18.09	Plant Unit
	62	Total

1 Plant Unit = 30 Points

	Points	Qty Provided	Points Provided
Canopy Tree	10	35	350
Evergreen Tree	10	85	850
Ornamental Deciduous	5	36	180
Shrub	1	618	618
Total Points			1998
Total Units			67

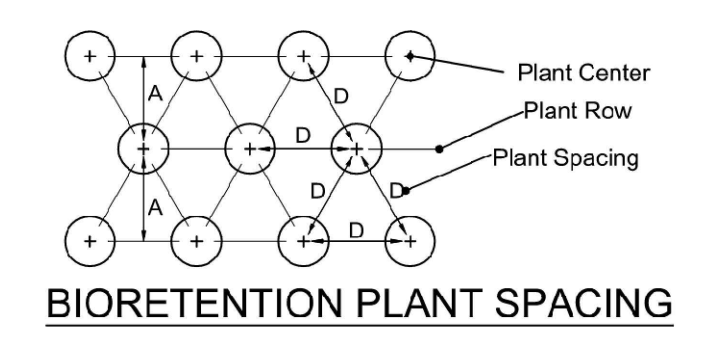
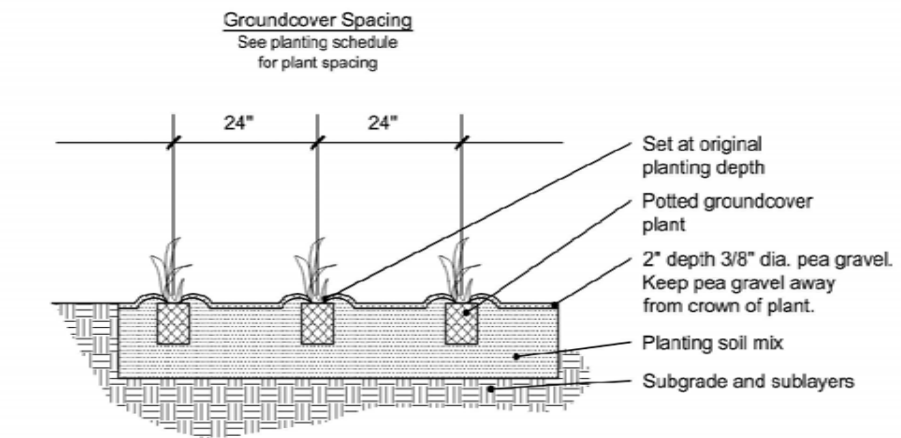
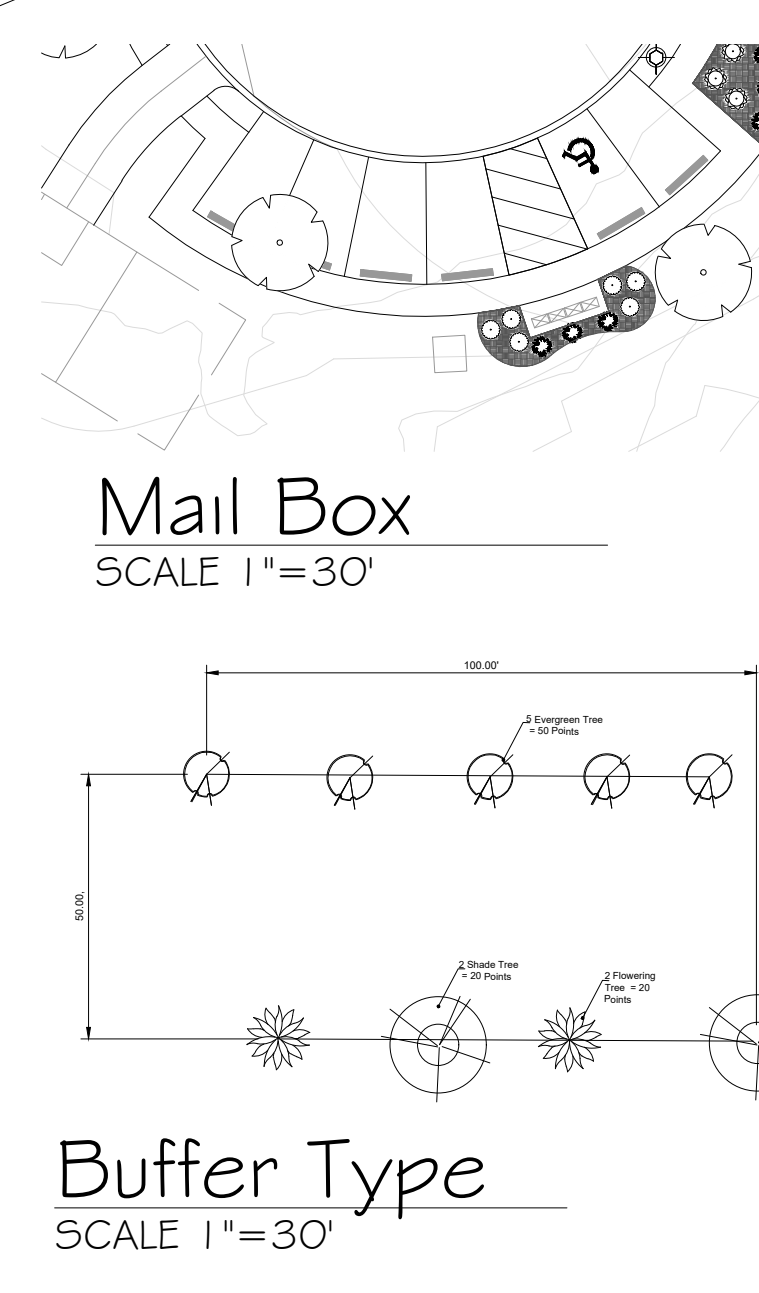
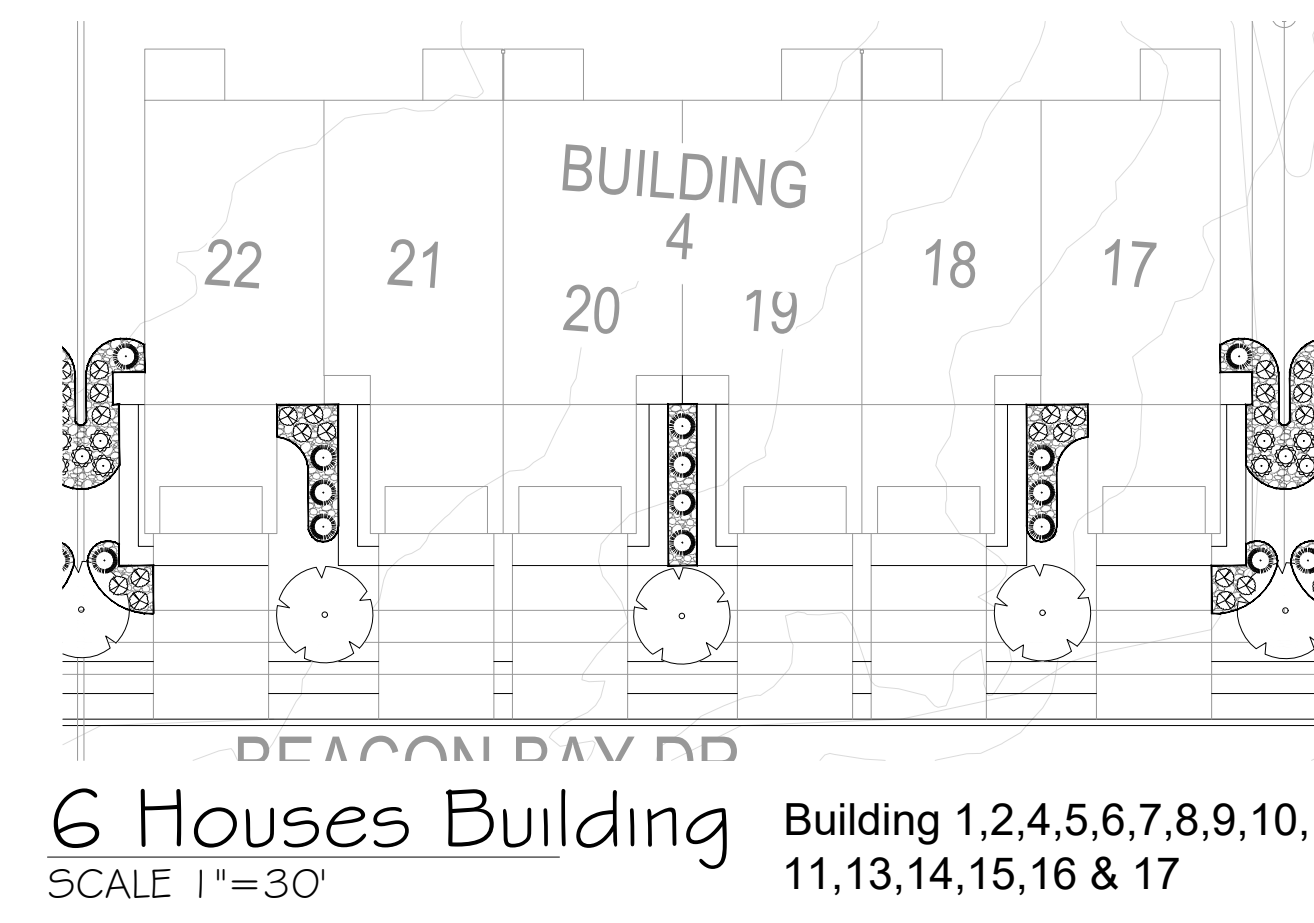
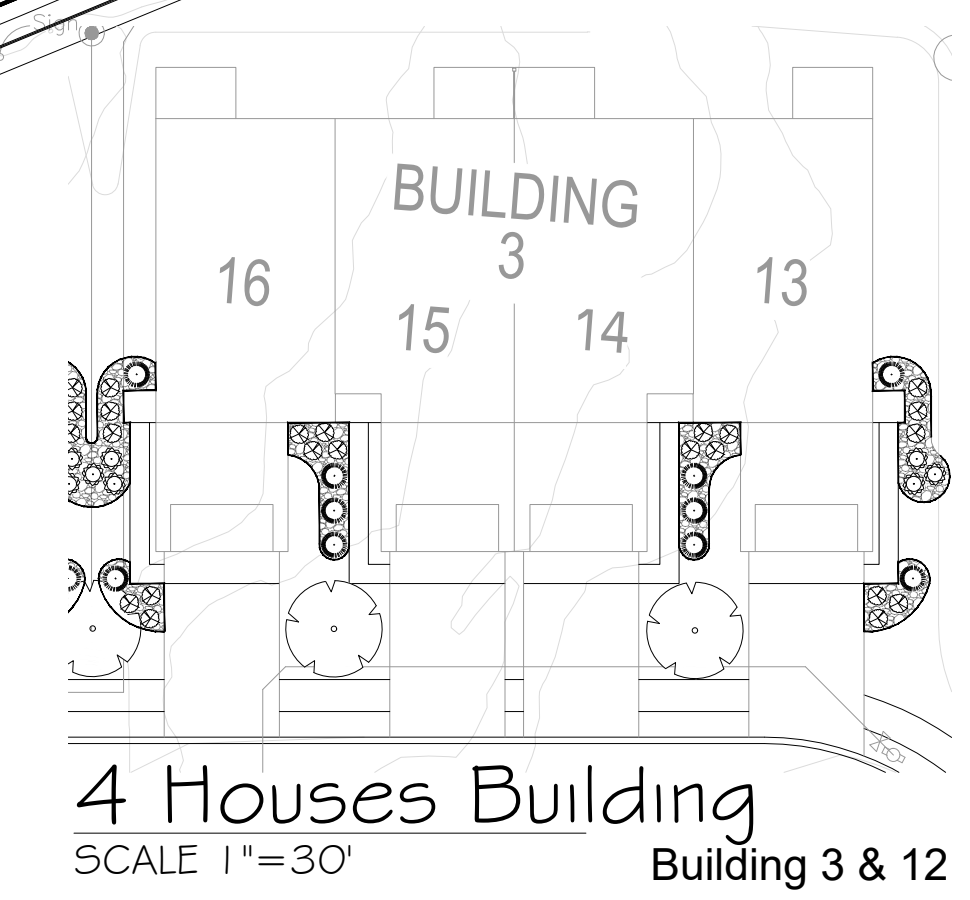
LANDSCAPE SCHEDULE

Symbol	Common name	Botanical Name	Size	Remarks
BIORETENTION PLANTS				
ww	Sideoats Grama	Bouteloua curtipendula	Type 38DCP	24" o.c.
xx	Prairie Dropseed	Sporobolus heterolepis	Type 38DCP	24" o.c.
yy	Switchgrass	Panicum virgatum	Type 38DCP	24" o.c.
zz	Little Bluestem	Schizachyrium scoparium	Type 38DCP	24" o.c.

Table 1: Planting, Water, and Mulch Requirements

WATER AVAILABILITY	REQUIRED PLANTING PERIOD	MINIMUM CONTAINER SIZE	WATER REQUIREMENT FIRS 3 WEEKS	WATER REQUIREMENT AFTER 3 WEEKS*	MAXIMUM MULCH DEPTH****
No ability to water after initial planting	Late Feb.-April only	2.25"x3.75" or larger (plug)	Water each plug immediately after planting		1.5" for plugs
Manual watering with standard sprinkler	Late Feb.-Early June Sept.-Oct.	4.5"x5" (quart) or larger in summer and fall	1" (60 min) every 4 days in spring and fall	1" (60 min) every 7 days until established***	1.5" for plugs 2.5" for plugs
Automatic irrigation (set to water more frequently than normal during first two months after planting)	Late Feb.-Early Oct.	2.25"x3.75" (plug) or larger in spring 4.5"x5" (quart) or larger in summer and fall	1" (60 min) every 4 days in spring and fall 1" (60min) every 3 days in summer	1" (60 min) every 7 days until plants established***	1.5" for plugs 2.5" for quarts

*This water amount includes natural rainfall. If you get a 1/2 inch of natural rain, then you will need to add a 1/2 inch of water to meet the 1 inch requirement.
 **Requires transport of water to the planting site in large containers and pouring enough water onto each plant (after planting) to moisten the entire planting pit.
 ***Plants are established when roots have grown out of the container soil and into the native soil by 3-5 inches. This normally takes 3-4 months for most perennials and grasses and up to 6-7 months for trees and shrubs.
 ****2" depth 3/8" dia. pea gravel.



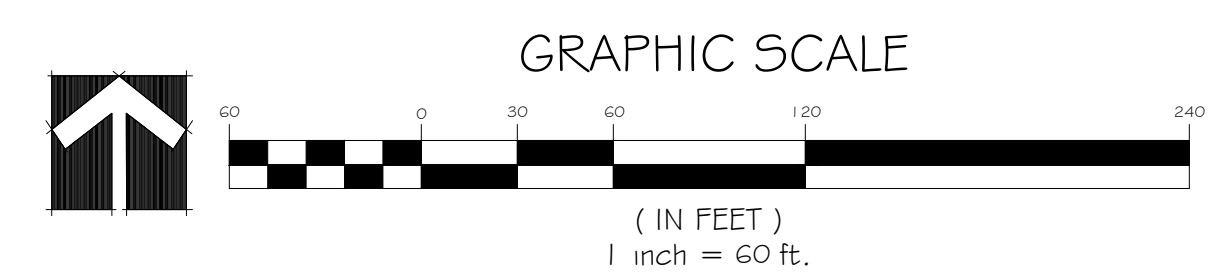
PLANT SPACING TABLE

SPACING 'D'	ROW 'A'	NUMBER OF PLANTS/SQ. FT.
30"	28"	.16
24"	20.8"	.25
18"	15.6"	.45
15"	13"	.64
12"	10.4"	1.00
10"	8.66"	1.44
8"	6.93"	2.25

BIORETENTION PLANT SPACING SECTION

Notes:
 1. Remove spent flowers prior to planting.
 2. Loosen root mass at bottom of rootball.
 3. Top of rootball stripped of 1/4" surface growing media and covered with 1/4" landscape bed mix plus surface mulch.

Note: Plant quantities to be determined by multiplying area (sq.ft.) by number of plants/sq.ft. for required spacing. Table and diagram taken from "Landscape Guide for Stormwater Best Management Practice Design" by MSD with a revised date of May 2, 2012.



1 Sheet Key
SCALE 1" = 60"

NOTICE
 This drawing is the property of A. Waldbart and Sons Nursery. Each plan formulated by our firm involves original thought and ideas; therefore, we reserve the copyright to any design prepared by our staff. Use of this plan and/or any portion thereof for competitive bids, pricing, or related purposes is illegal without our written permission.

895-4589

SA WALDBART AND SONS
Nursery

Established 1872

Landscape Designers, Landscape Contractors & Nurserymen
1420 Teson Rd., Hazelwood, MO 63042

The Villas at Aragon
Veterans Memorial Parkway O'Fallon, MO.

PROJECT # 452
 \BACKUP-SEPER\Spada, Gomez\Plans CAD\452_Aragon_Apartments\landscape.dwg

Date	4/19/22	Revised	5/4/22	Sheet	L-1
Scale	1" = 60"	Approved	7/26/22	Drawn By	SGZ