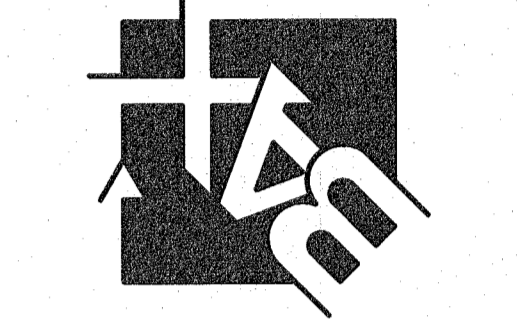


ENGINEERING
PLANNING
SURVEYING

221 Point West Blvd.
St. Charles, MO 63301
636-928-6552
FAX 928-1718



DISCLAIMER OF RESPONSIBILITY
I hereby specify that this document is intended to be authorized by my seal and signature. I am not responsible for any errors or omissions in this document or for any consequences resulting therefrom. I am not responsible for any construction details or specifications not shown on this sheet.

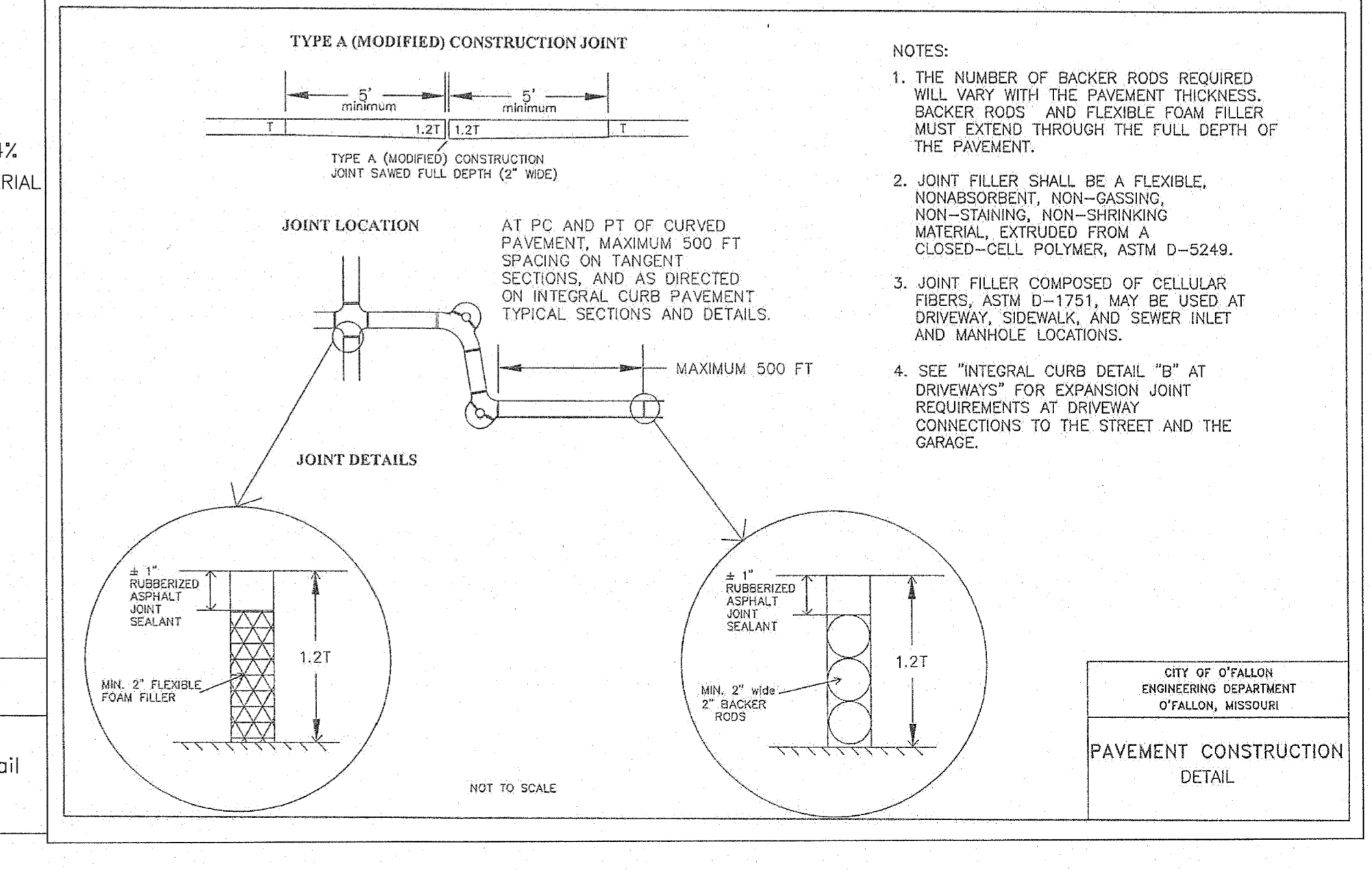
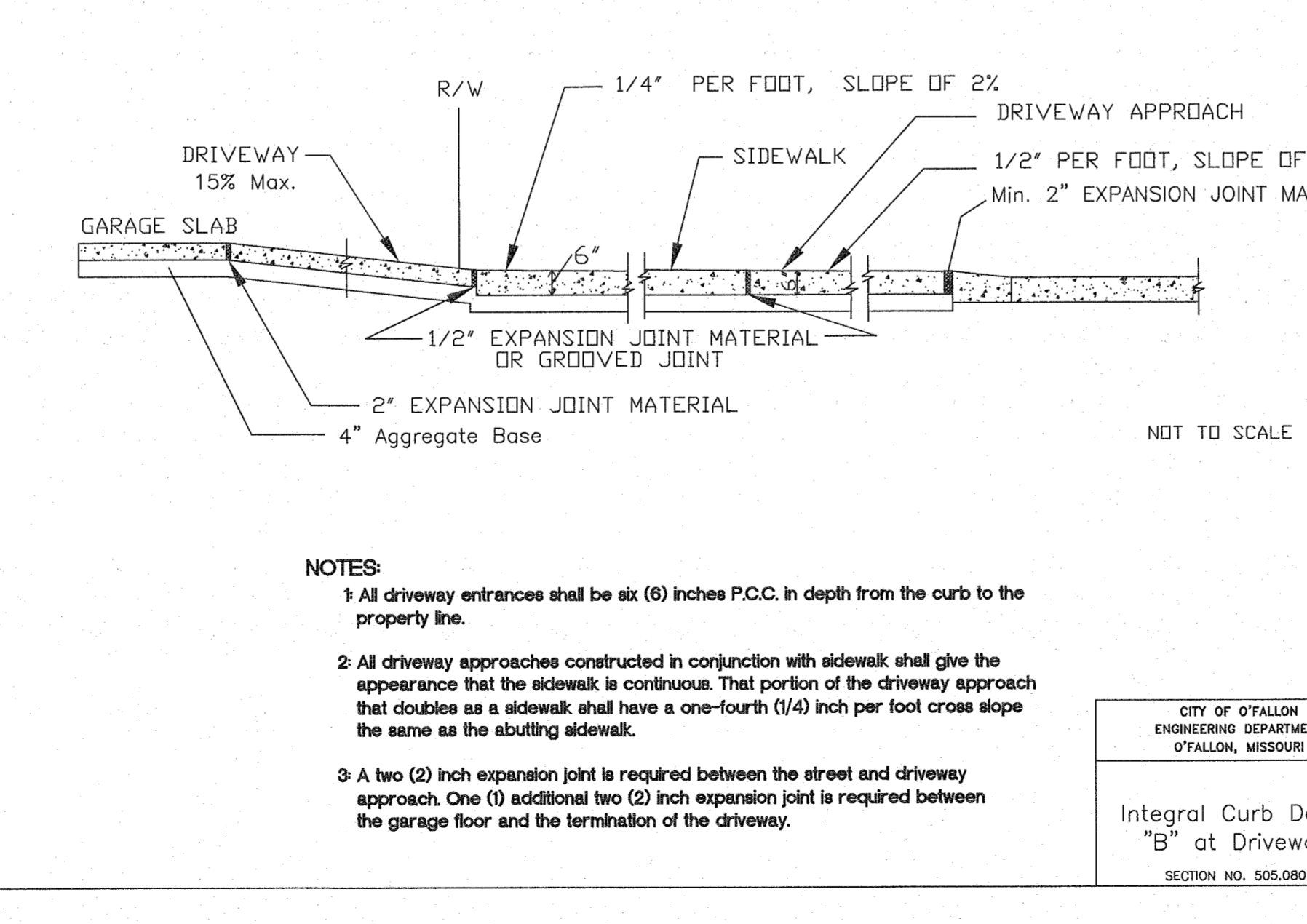
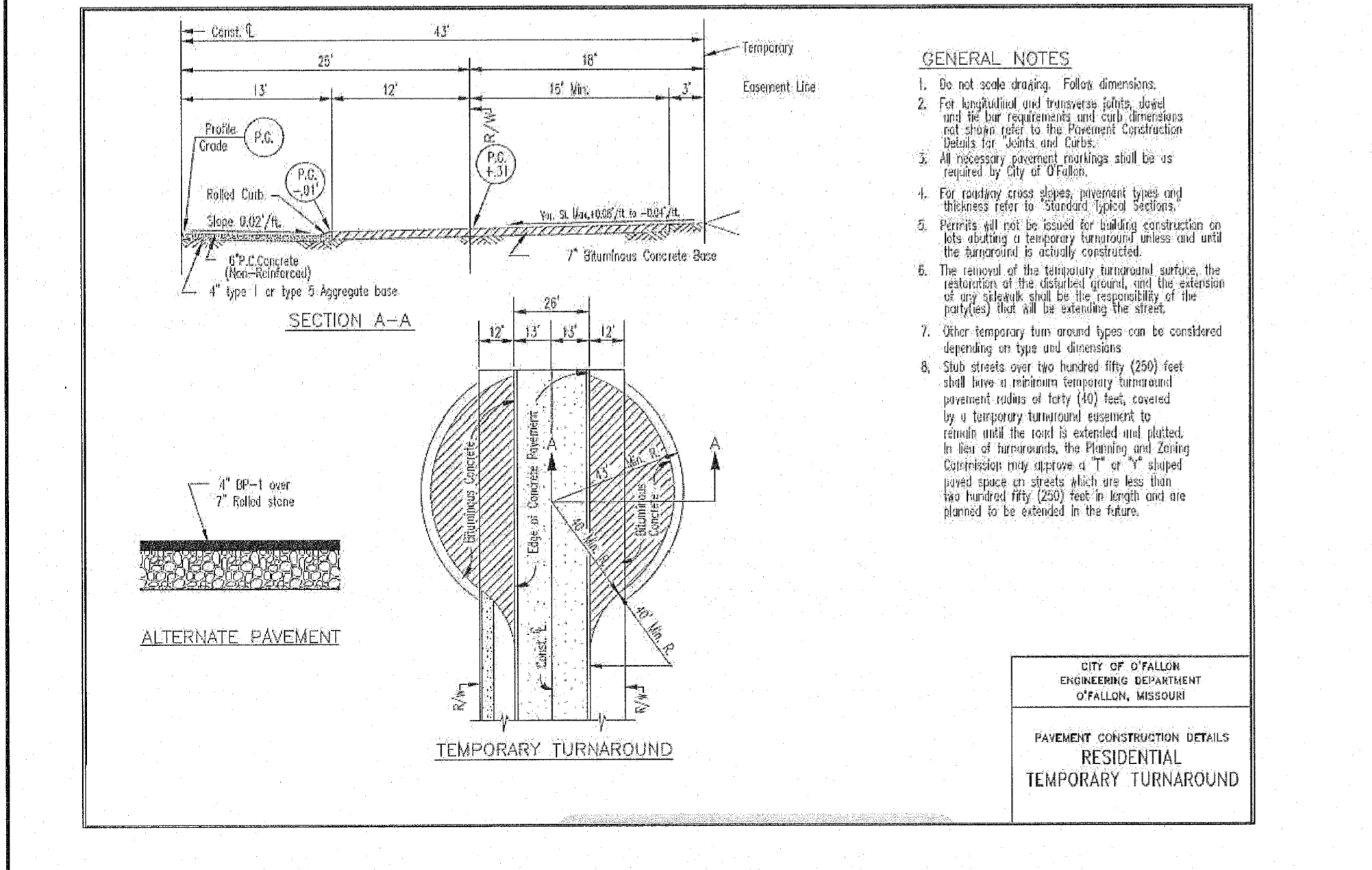
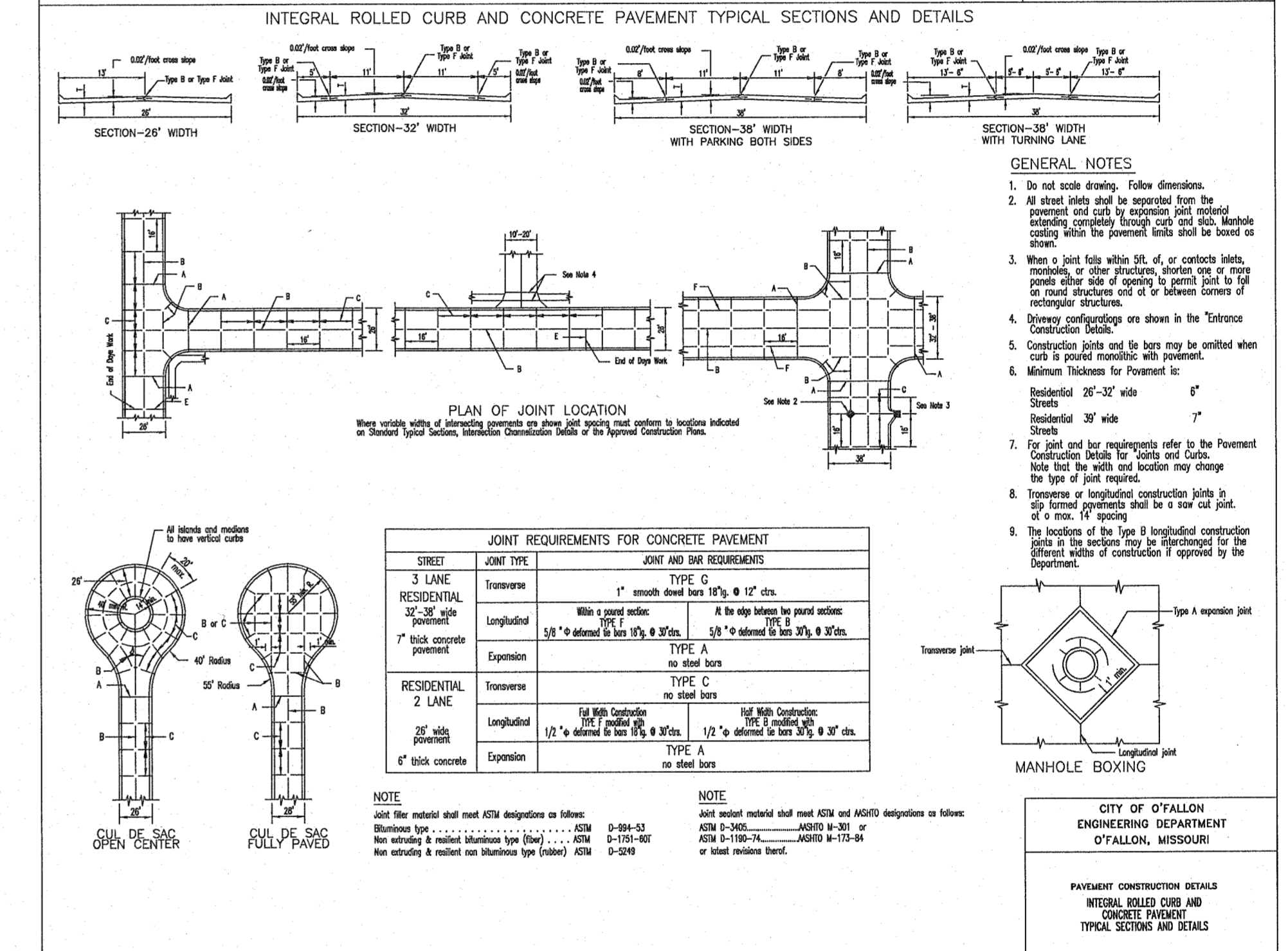
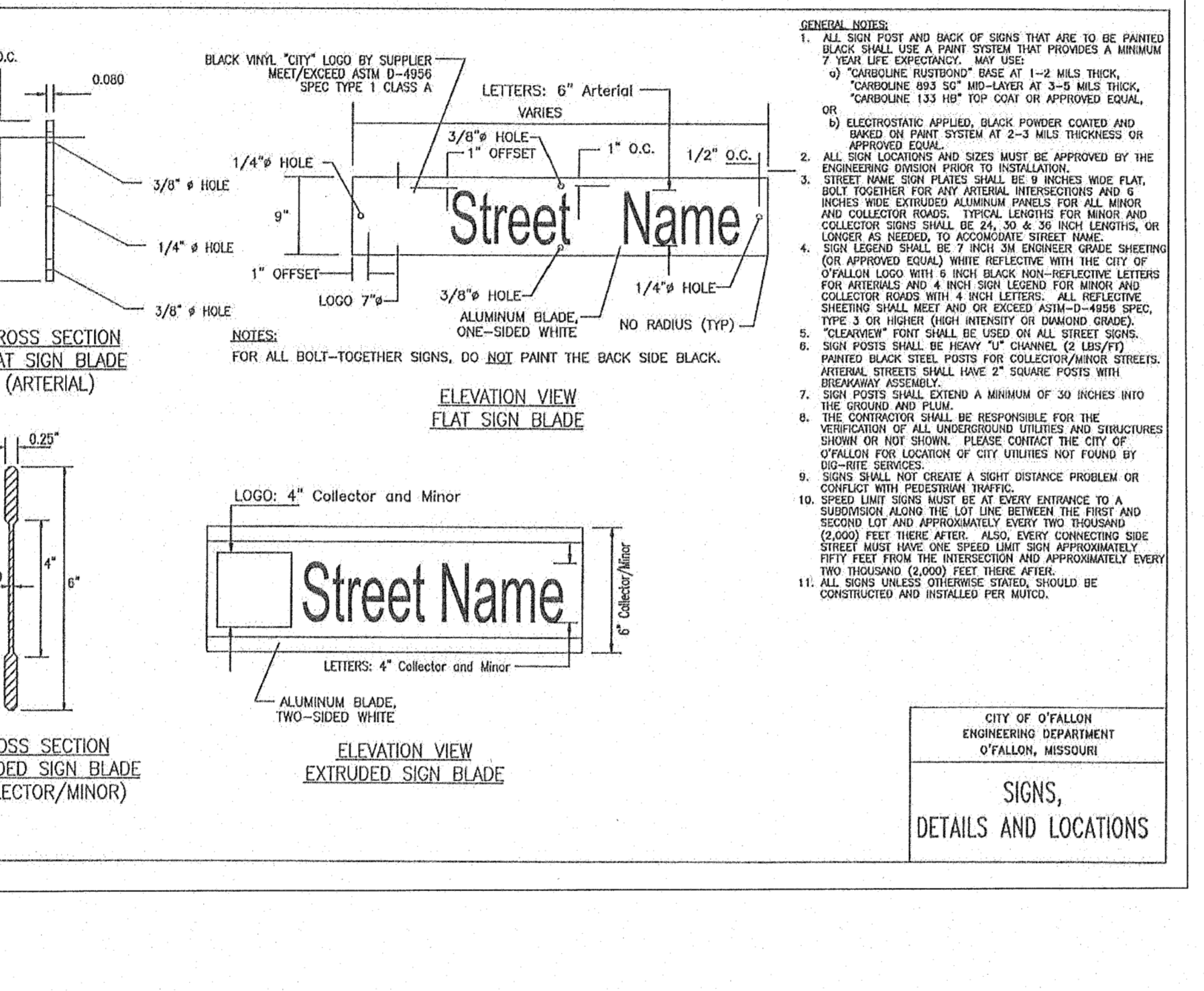
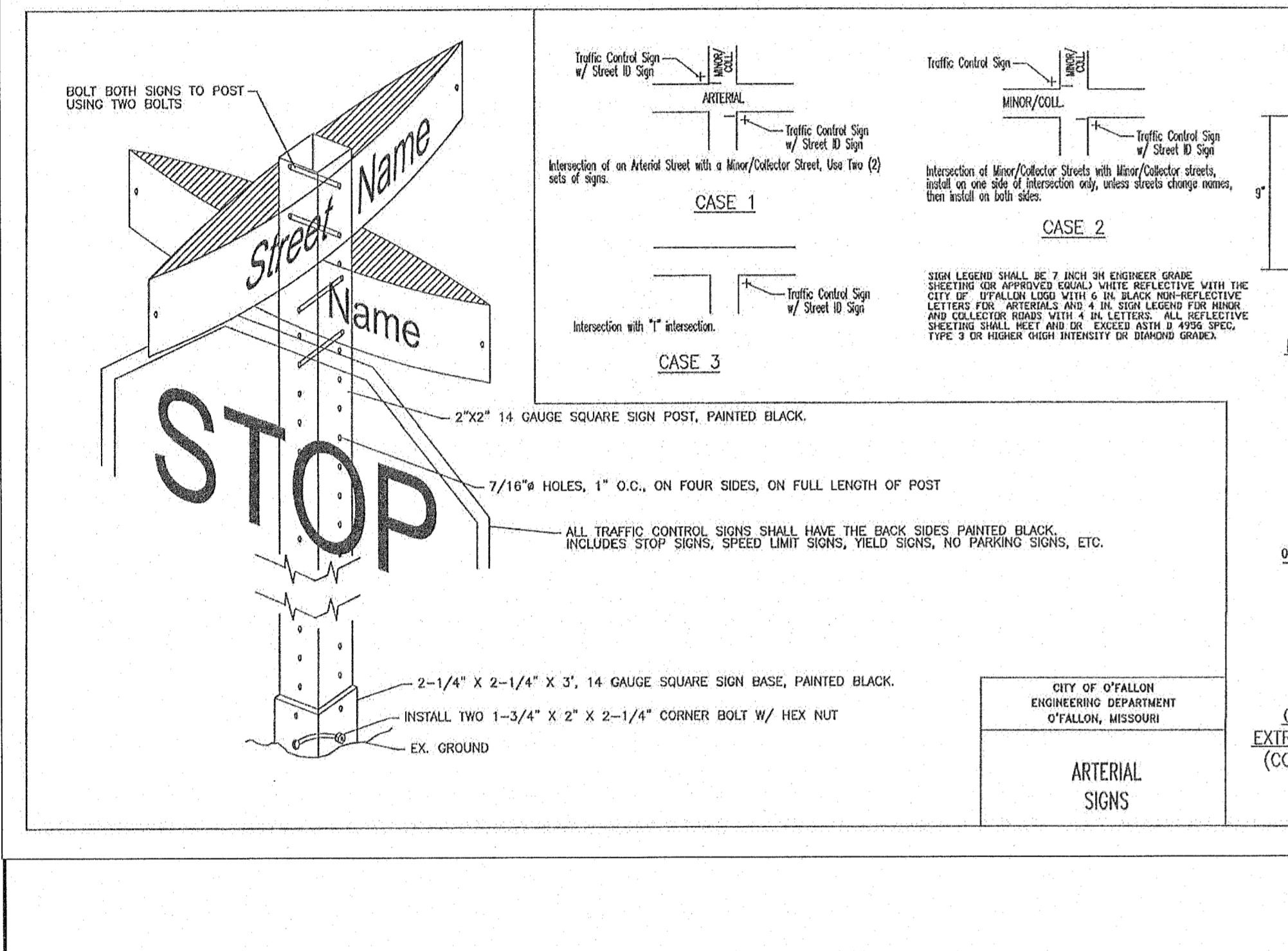
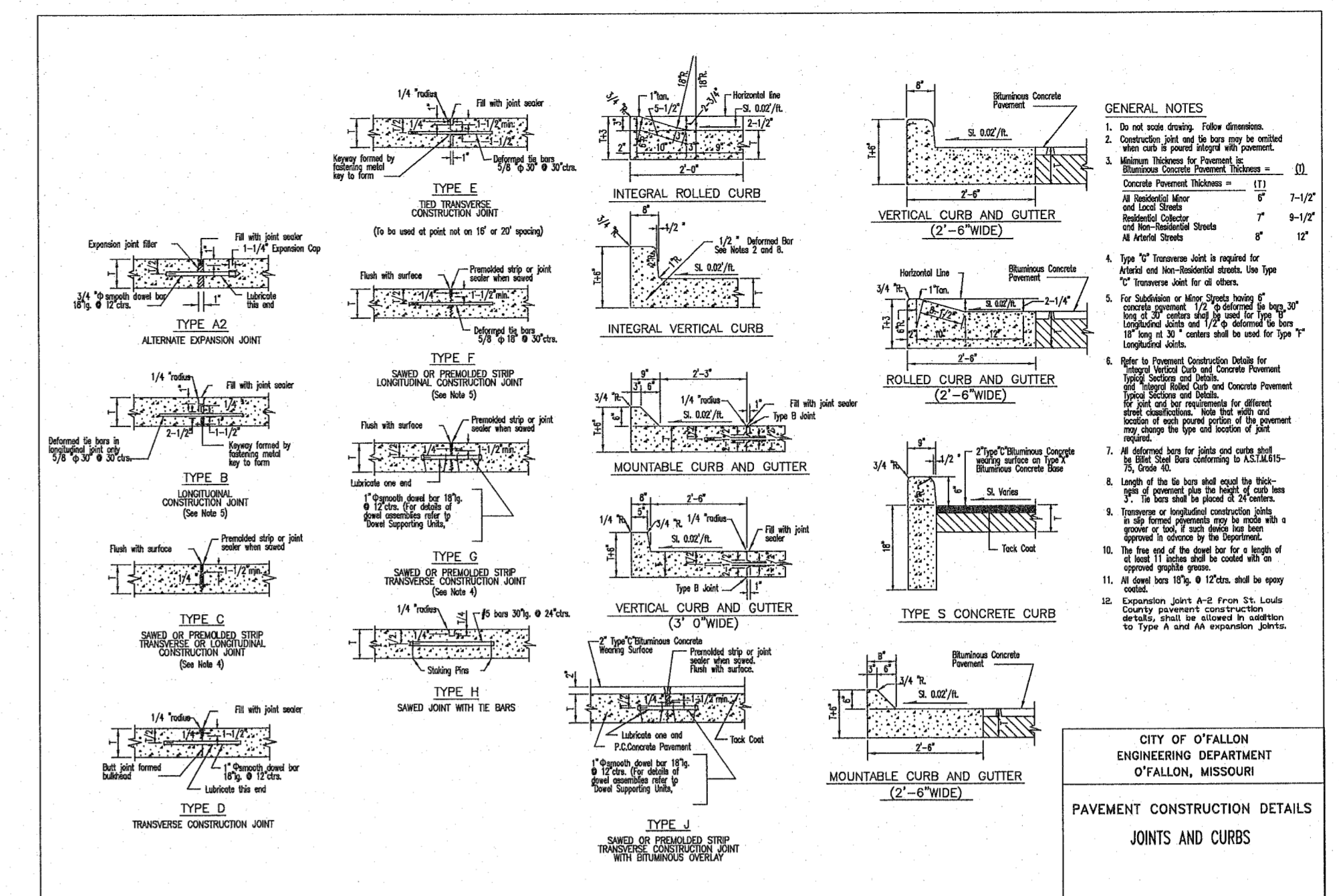
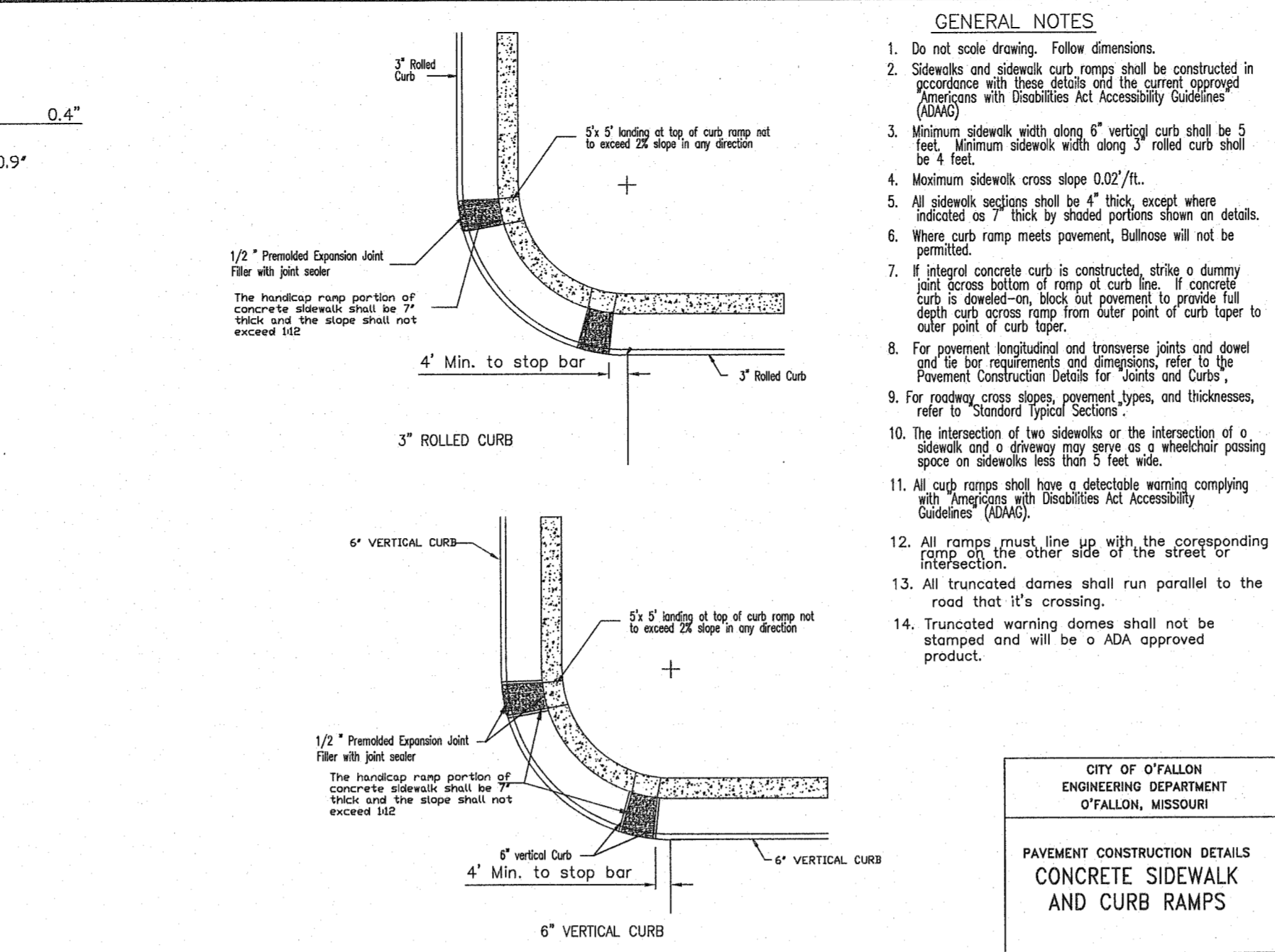
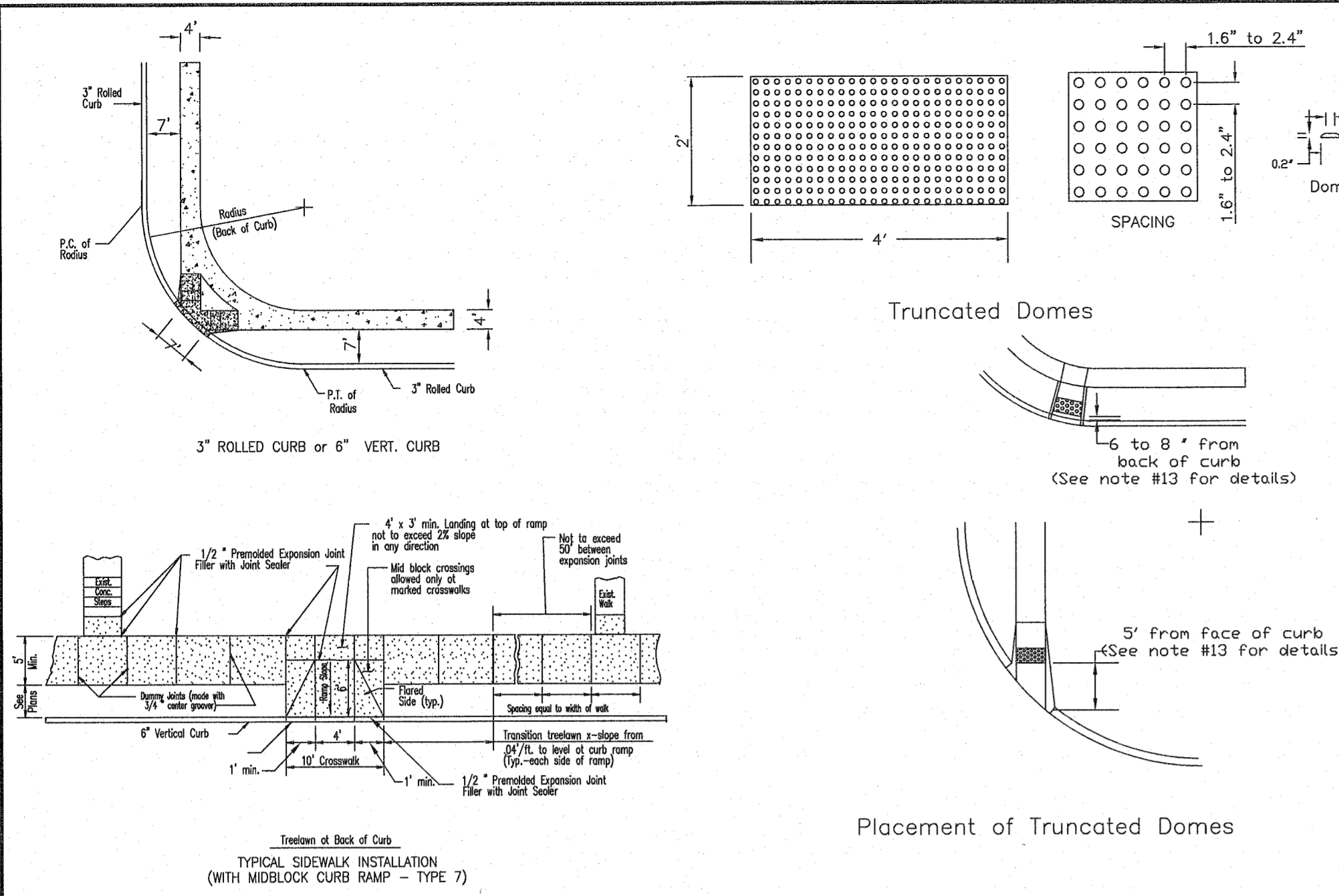
REFERENCE ONLY

REVISIONS

12/19/16	P.W.S.D.#2 DUCKETT
01/05/17	P.W.S.D.#2 COMMENTS
02/20/17	CITY COMMENTS
03/17/17	CITY COMMENTS
09/20/18	CITY COMMENTS
11/06/18	CITY COMMENTS
12/14/18	CITY COMMENTS
12/28/18	CITY COMMENTS

Developer / Owner:
Bridgewater Communities, Inc.
P.O. Box 4607
Chesterfield, Missouri 63005
636-294-6020

P+Z No. 18-003986
June 7, 2018
City No. #18-009384
Permit #RSP18-000006
Page No.



ENGINEERS SEAL DOES NOT APPLY TO CITY OF O'FALLON DETAILS ON THIS SHEET.