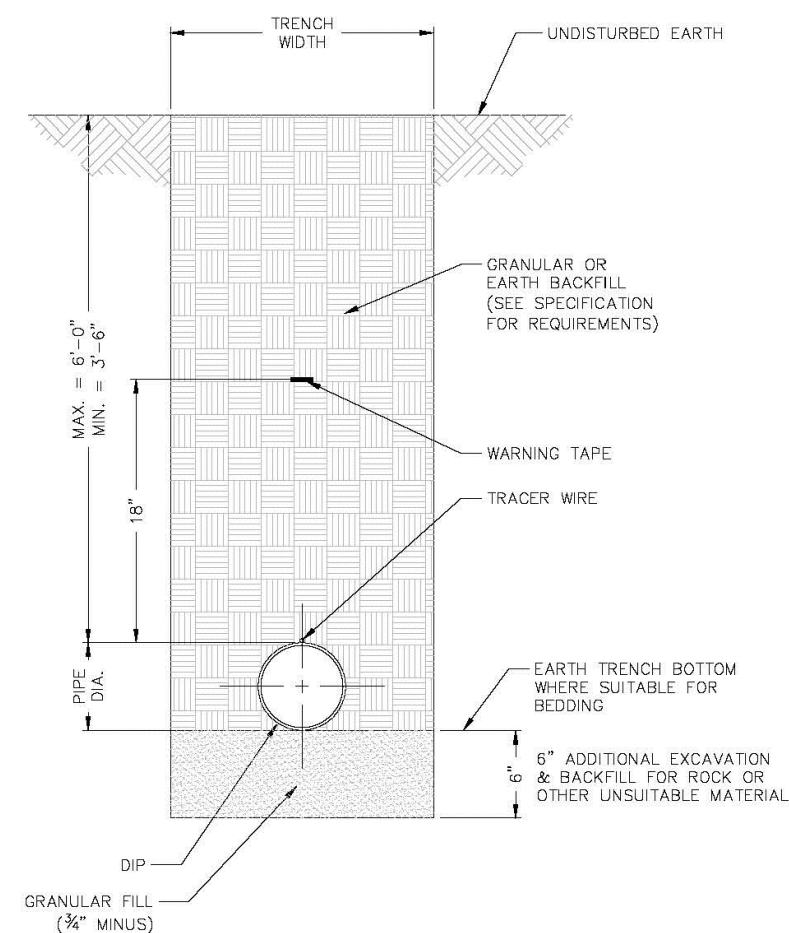


NOTES

- 1) SEE SPECIFICATIONS FOR ADDITIONAL DETAILS FOR BEDDING AND BACKFILL.

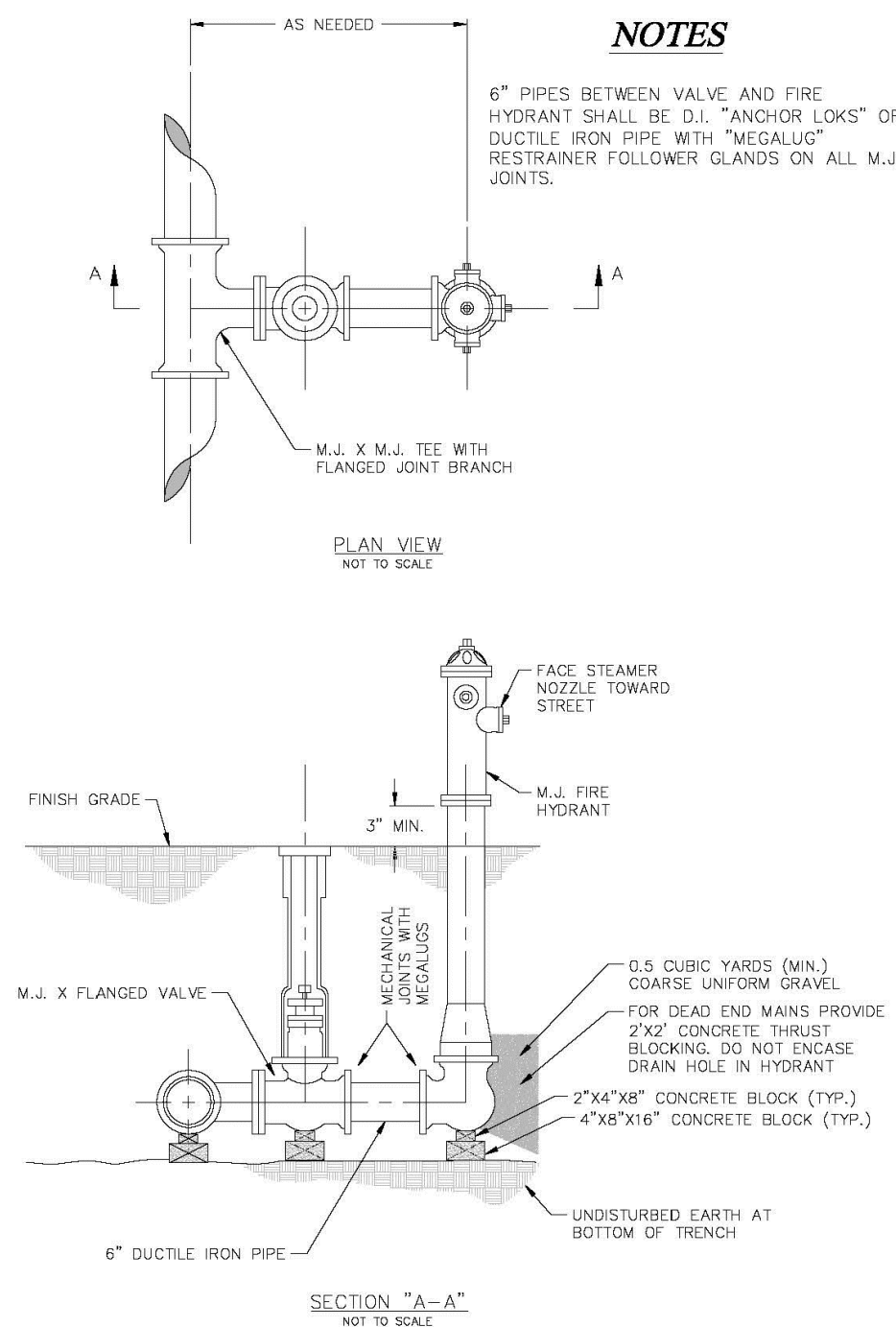
TYPICAL TRENCH SECTION FOR PVC PIPE
DETAIL "A"
PAGE 1 OF 2



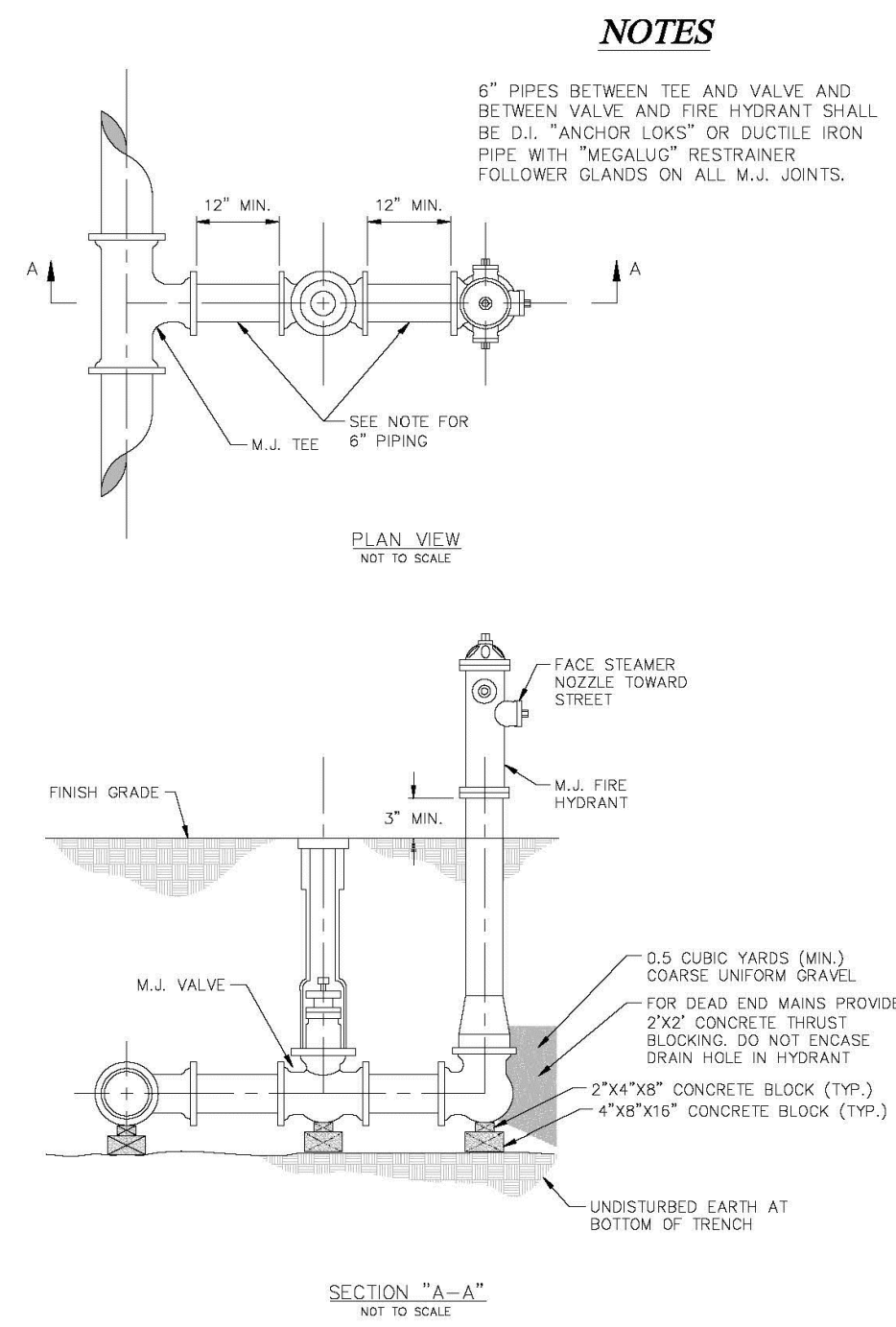
NOTES

- 1) POLYWRAP REQUIRED FOR DUCTILE IRON PIPE
- 2) SEE SPECIFICATIONS FOR ADDITIONAL DETAILS FOR BEDDING AND BACKFILL.

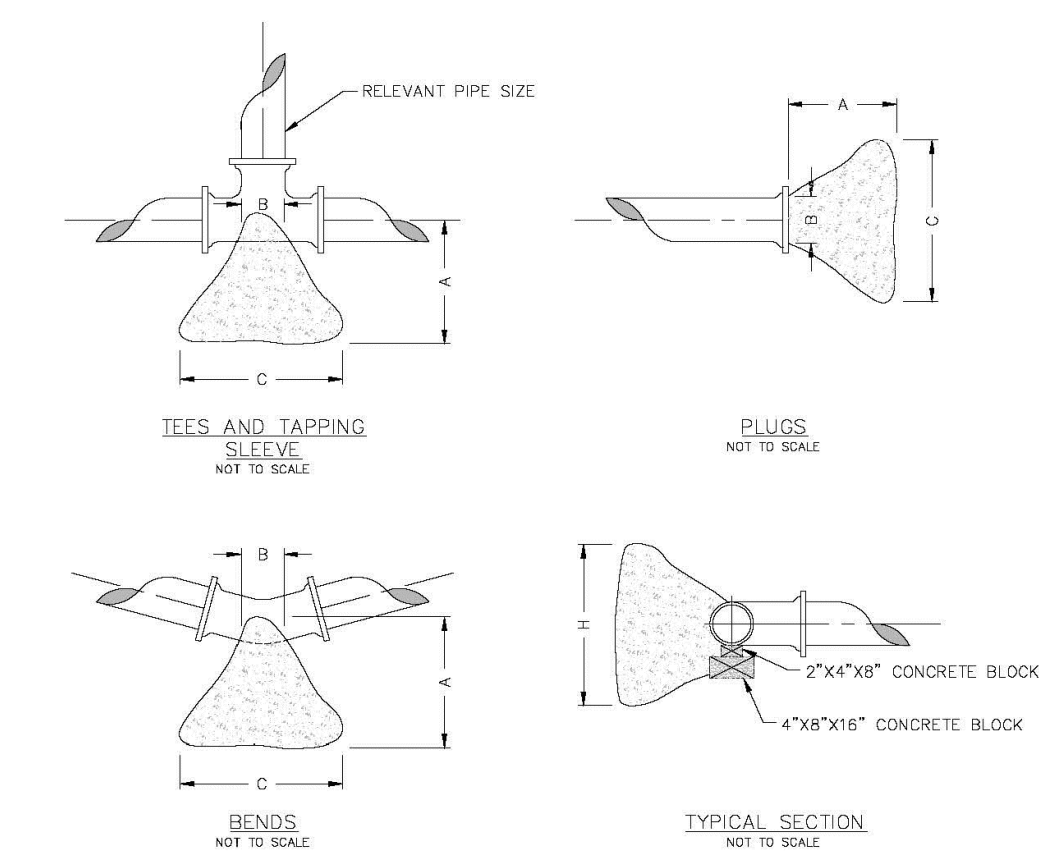
TYPICAL TRENCH SECTION FOR DUCTILE IRON PIPE
DETAIL "A"
PAGE 2 OF 2



FIRE HYDRANT DETAIL
DETAIL "B"
PAGE 1 OF 3

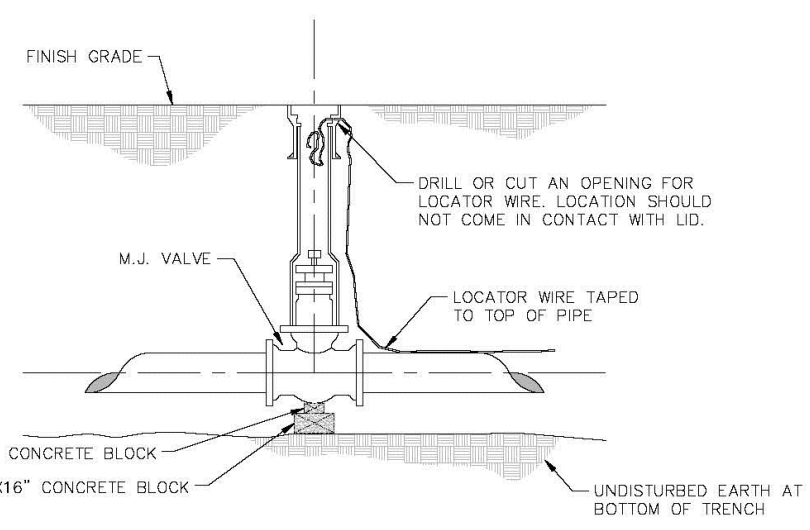


FIRE HYDRANT DETAIL
DETAIL "B"
PAGE 2 OF 3

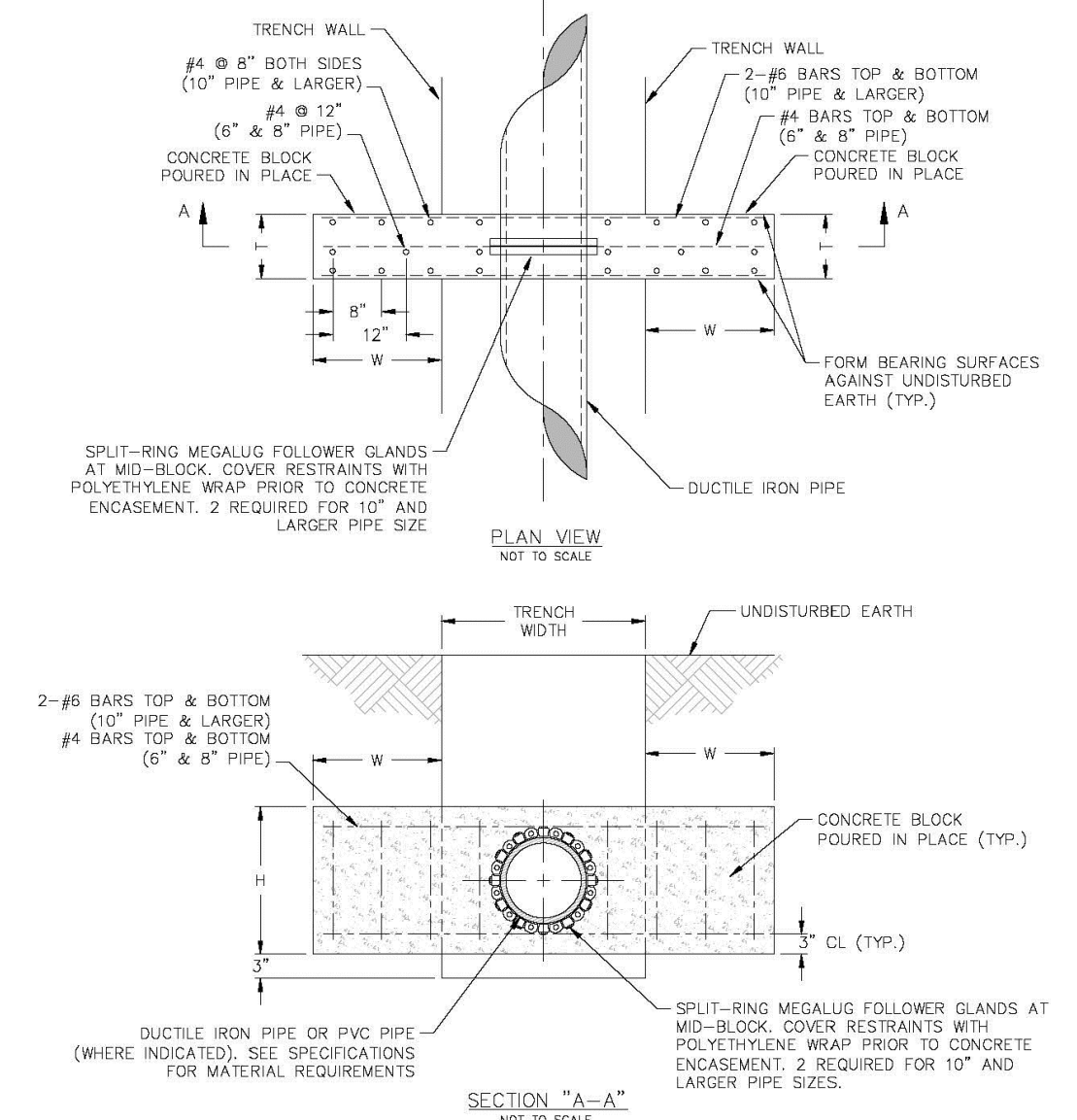


PIPE DIA.	ALL FTGS.		TEE PLUG TAPPING		90 DEGREE BEND		45 DEGREE BEND		22-1/2 BEND		11-1/4 BEND	
	A	B	C	H	C	H	C	H	C	H	C	H
4	14	4	24	12	28	15	18	12	12	12	12	12
6	18	6	36	18	36	24	30	18	24	12	12	12
8	20	8	36	30	42	36	36	24	24	18	18	12
10	20	10	48	36	66	36	36	36	28	24	18	18
12	24	12	68	36	82	42	62	36	40	24	28	18

NOTE
FOR FITTINGS LARGER THAN 12", SPECIAL RESTRAINT DESIGNS ARE REQUIRED.
HORIZONTAL THRUST BLOCKING
DETAIL "C"



GATE VALVE DETAIL
DETAIL "D"

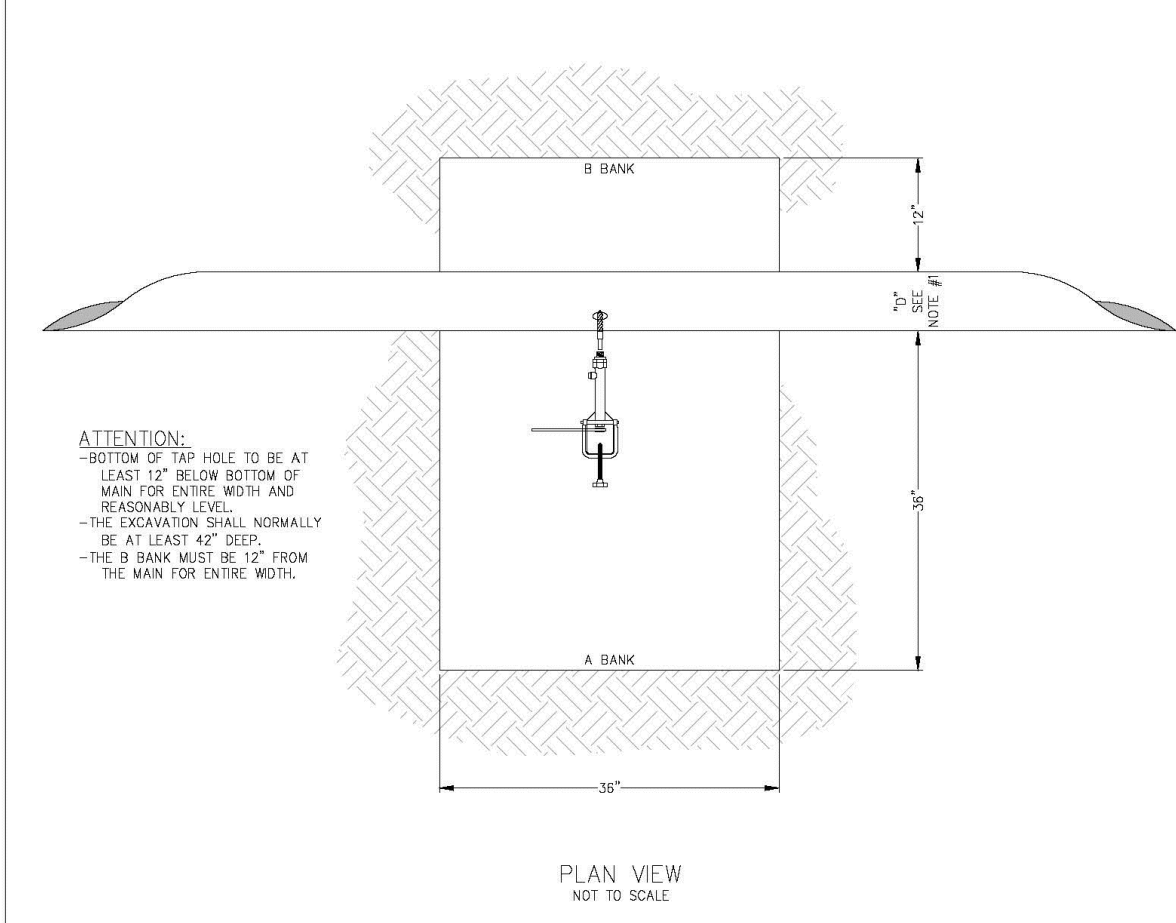


NOTES

- 1) CONSTRUCT CROSS BLOCKS AT A MINIMUM OF 15' FROM CONNECTION POINT AND 5' FROM THE BELL END OF PIPE.
- 2) CROSS BLOCKS SHALL BE PRE-POURED PRIOR TO SHUTDOWN AND CONNECTIONS.

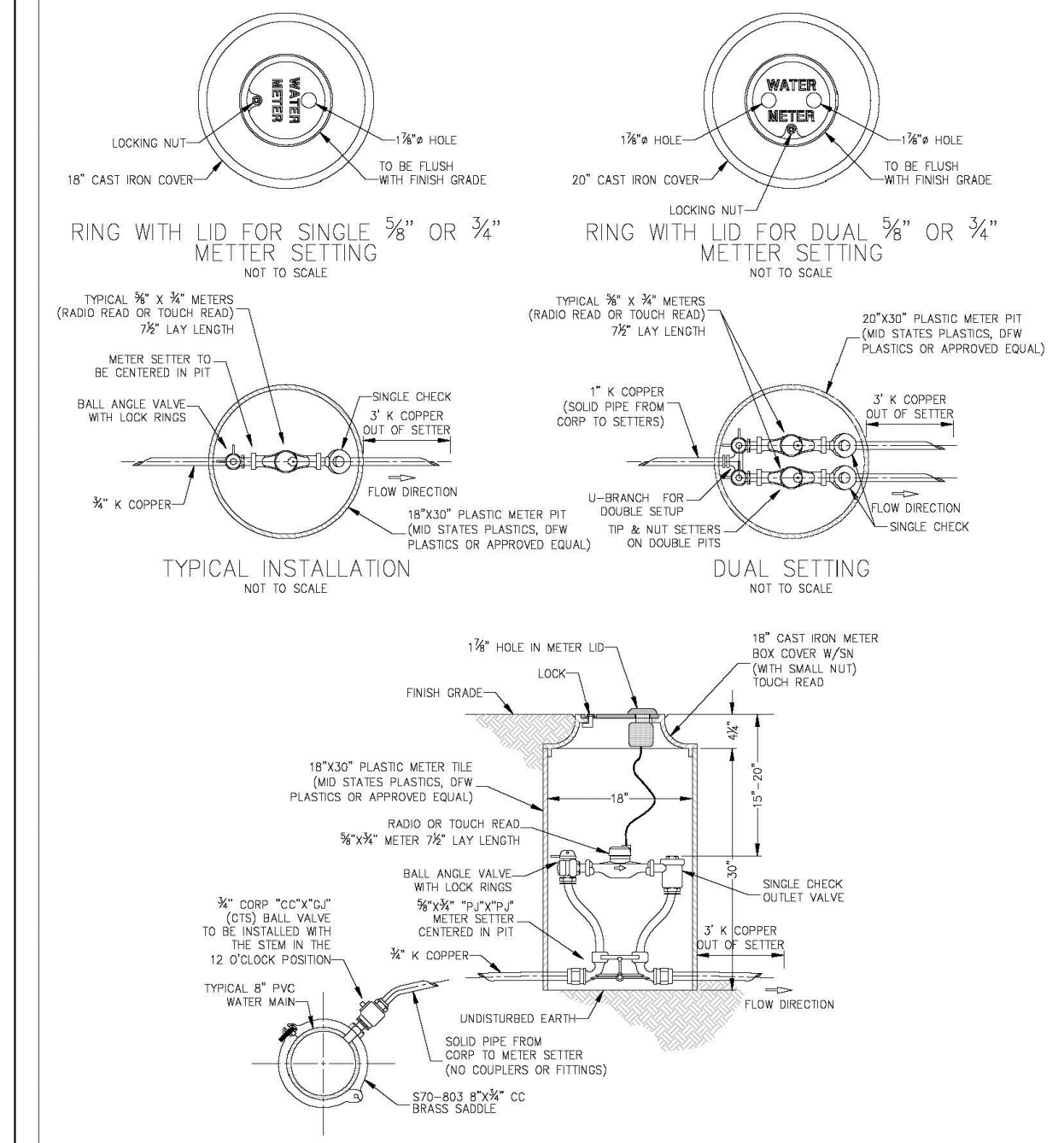
PIPE DIA. "D"	WIDTH "W"	HEIGHT "H"	THICKNESS "T"
4	12	12	12
6	24	24	12
8	24	24	12
10	36	36	18
12	36	36	18

CROSS BLOCK
DETAIL "E"



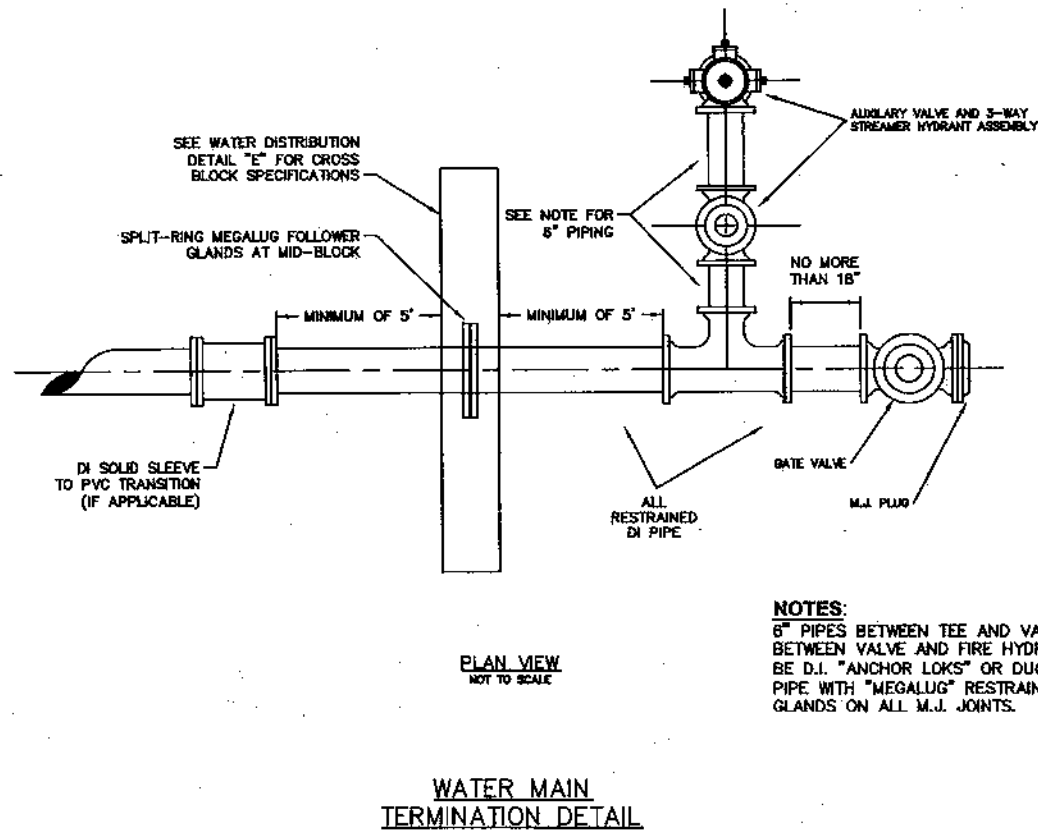
TYPICAL 3/4" SERVICE CONNECTIONS TAP HOLE DIMENSIONS
DETAIL "A"

APRIL 20, 2005



TYPICAL 3/4" RESIDENTIAL WATER SERVICE
DETAIL "B"

APRIL 20, 2005

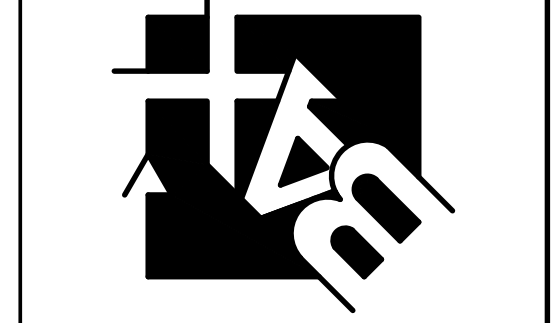


WATER MAIN TERMINATION DETAIL

NOTES:
6" PIPES BETWEEN TEE AND VALVE AND BETWEEN VALVE AND FIRE HYDRANT SHALL BE D.I. "ANCHOR LOCKS" OR DUCTILE IRON PIPE WITH "MEGALOG" RESTRAINER FOLLOWER GLANDS ON ALL M.J. JOINTS.

PROJECT TITLE:
THE VILLAS AT KEATON WOODS

ENGINEERING PLANNING SURVEYING
221 Point View Blvd.
St. Charles, MO 63301
636-928-5562
FAX 928-1718



DISCLAIMER OF RESPONSIBILITY
I hereby specify that the documents intended to be authorized by my seal are limited to this sheet, and I hereby disclaim any responsibility for all other drawings, specifications, estimates, reports or other documents or instruments relating to or intended to be used for any part or parts of the architectural or engineering project or survey.

REFERENCE ONLY

REVISIONS

DATE	CITY COMMENTS
02/20/17	CITY COMMENTS
03/17/17	CITY COMMENTS
09/20/18	CITY COMMENTS
11/06/18	CITY COMMENTS
12/14/18	CITY COMMENTS
12/28/18	CITY COMMENTS
06/11/21	CLIENT COMMENTS
03/01/22	CITY COMMENTS

Developer / Owner:
Bridgewater Communities, Inc.
P.O. Box 4607
Chesterfield, Missouri 63005
636-294-6020

P+Z No.: 18-003986
June 7, 2018
City No.: #18-009384
Permit #RSP18-000006

Page No.: 31 of 32

ENGINEERS SEAL DOES NOT APPLY TO DETAILS ON THIS SHEET.

WATER DETAILS

Issue Date: 03/25/2016