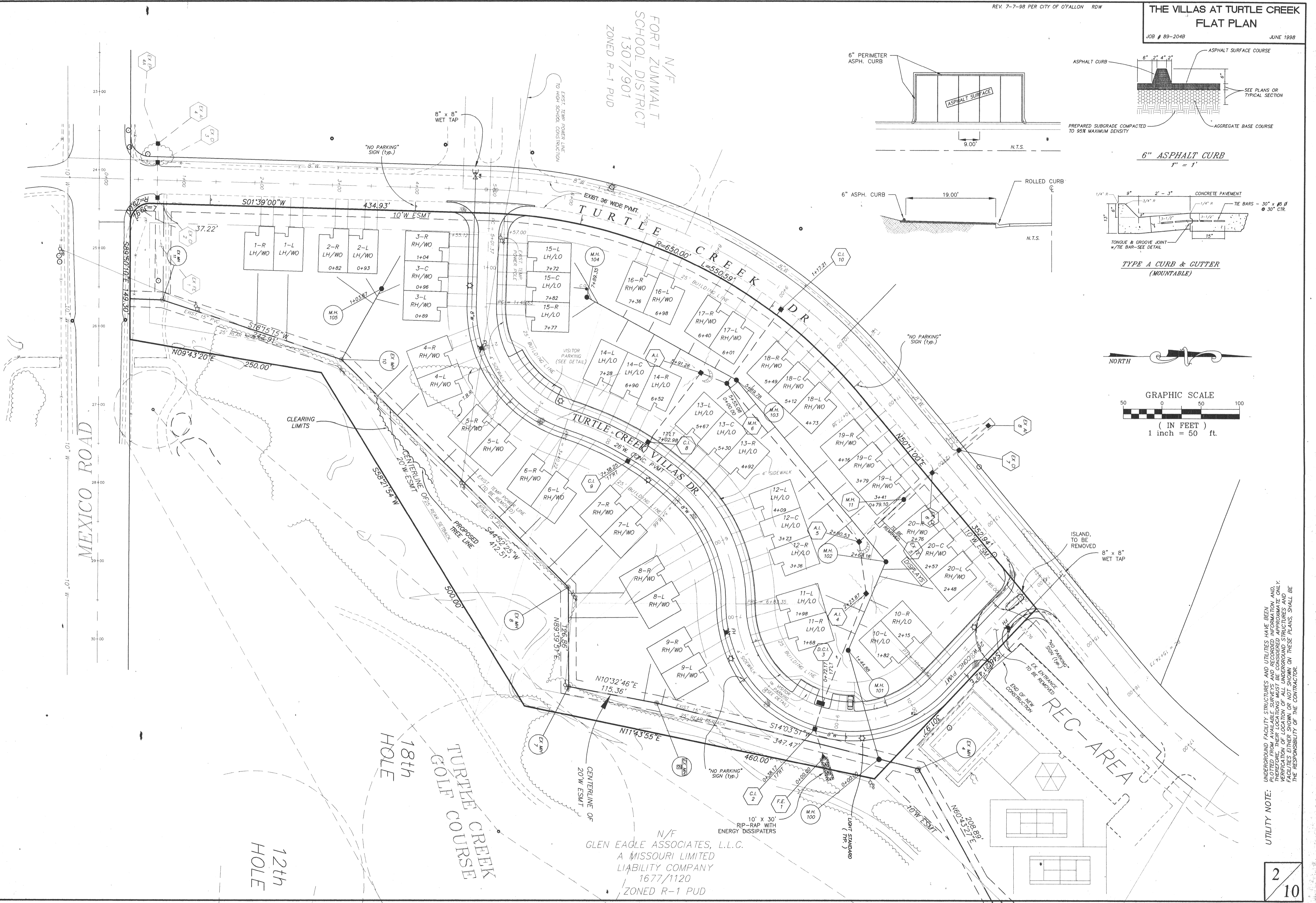
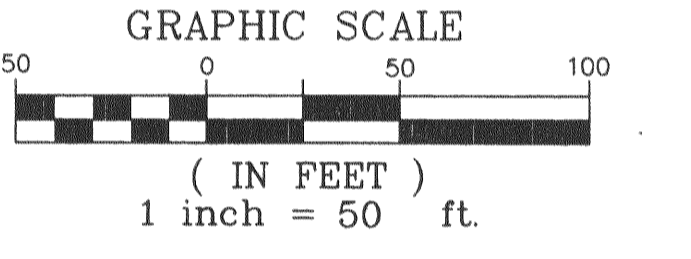
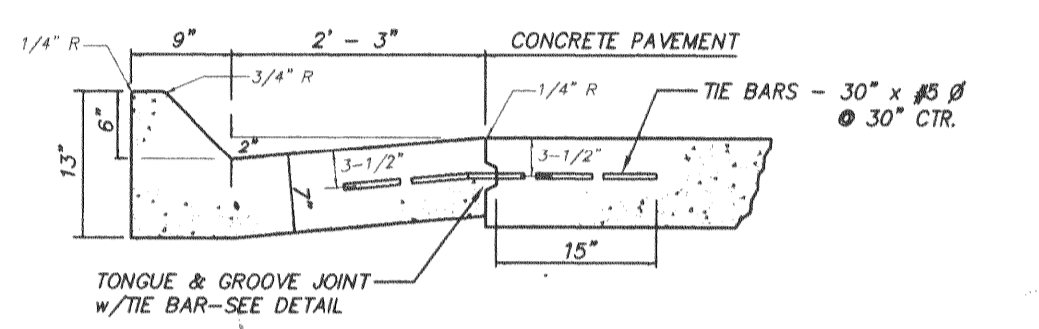
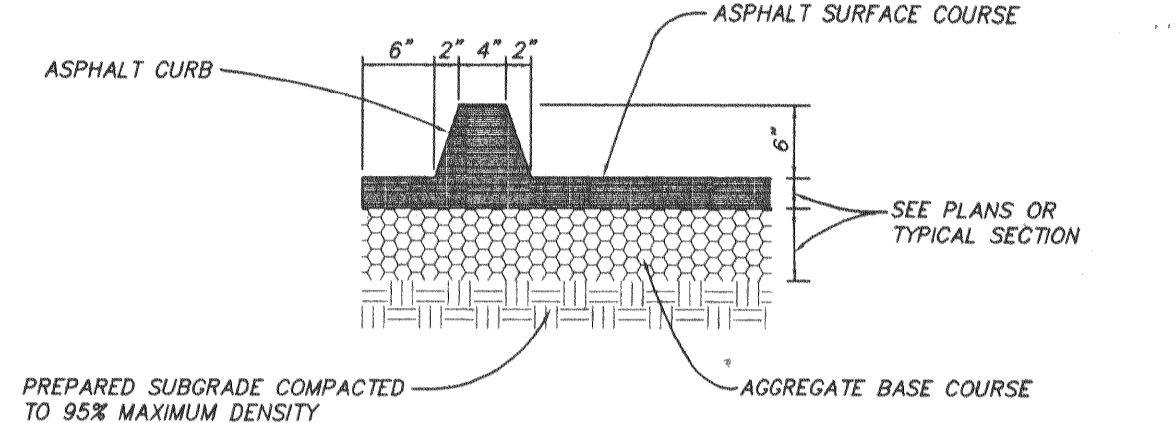
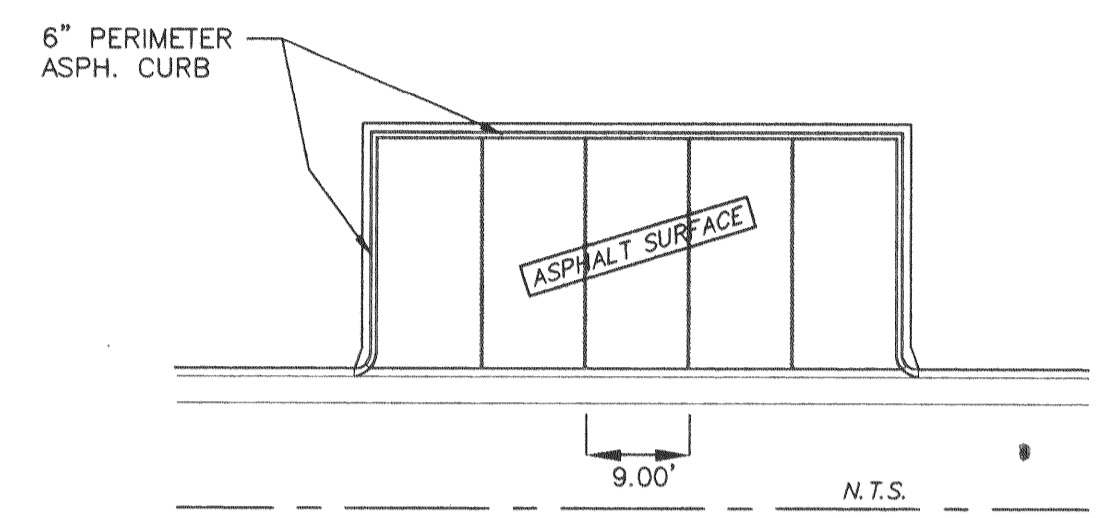


THE VILLAS AT TURTLE CREEK FLAT PLAN

JOB # 89-204B JUNE 1998

N/F
FORT ZUMWALT
SCHOOL DISTRICT
1307/901
ZONED R-1 PUD



N/F
GLEN EAGLE ASSOCIATES, L.L.C.
A MISSOURI LIMITED
LIABILITY COMPANY
1677/1120
ZONED R-1 PUD

UTILITY NOTE:
UNDERGROUND FACILITY STRUCTURES AND UTILITIES HAVE BEEN PLOTTED FROM AVAILABLE SURVEYS AND RECORDED INFORMATION AND THE CONTRACTOR SHALL VERIFY THE LOCATION OF ALL UNDERGROUND STRUCTURES AND FACILITIES EITHER SHOWN OR NOT SHOWN ON THESE PLANS. SHALL BE THE RESPONSIBILITY OF THE CONTRACTOR.