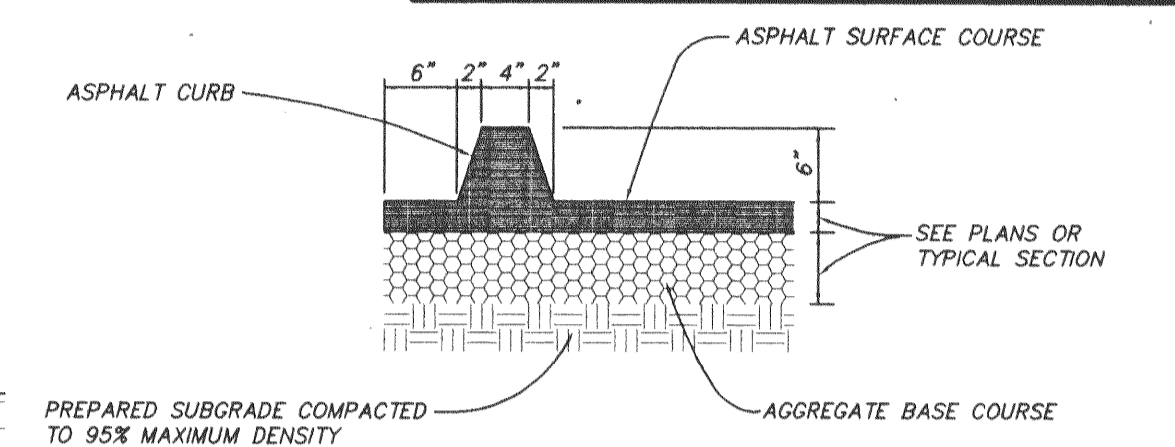
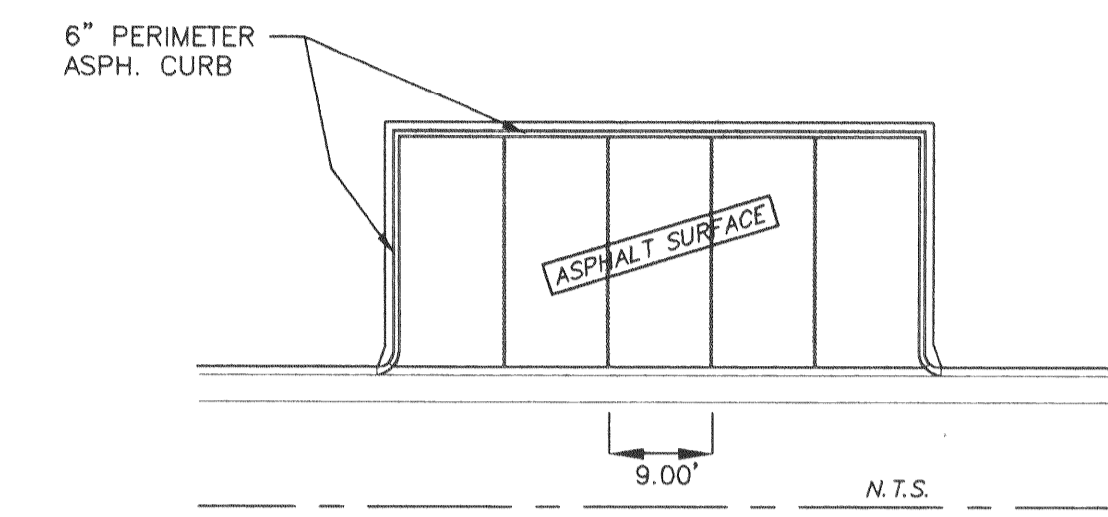
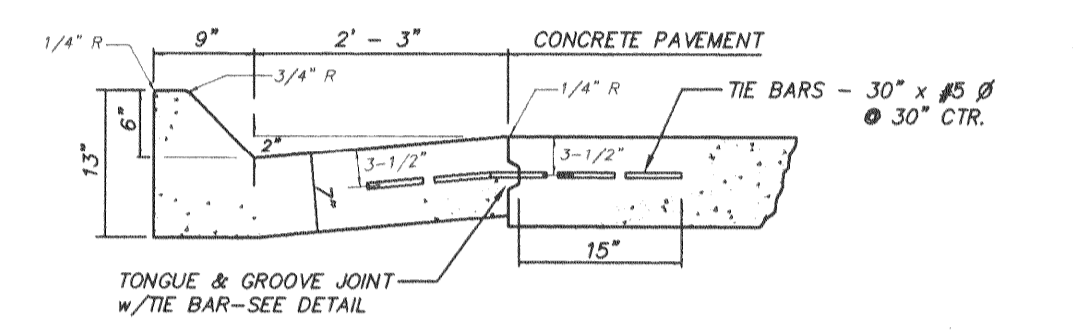
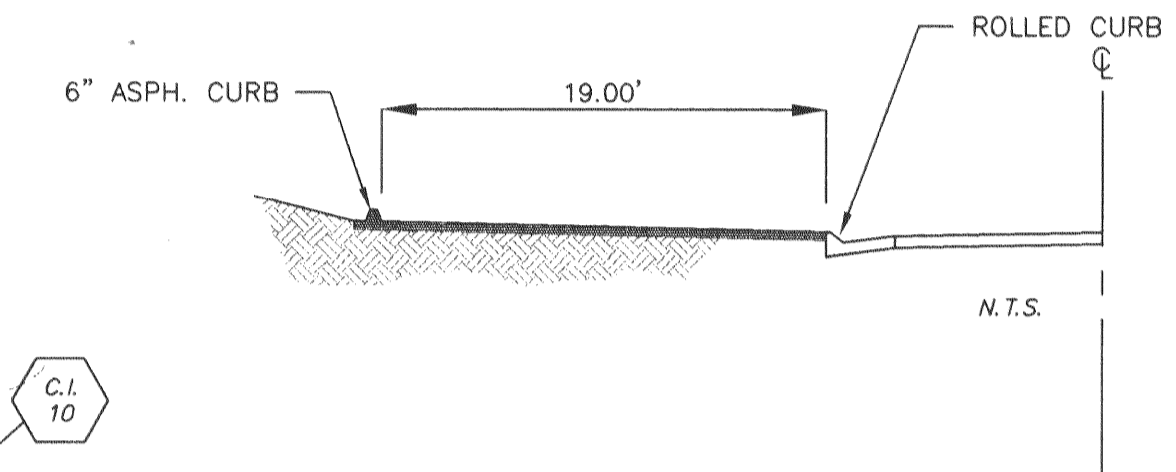


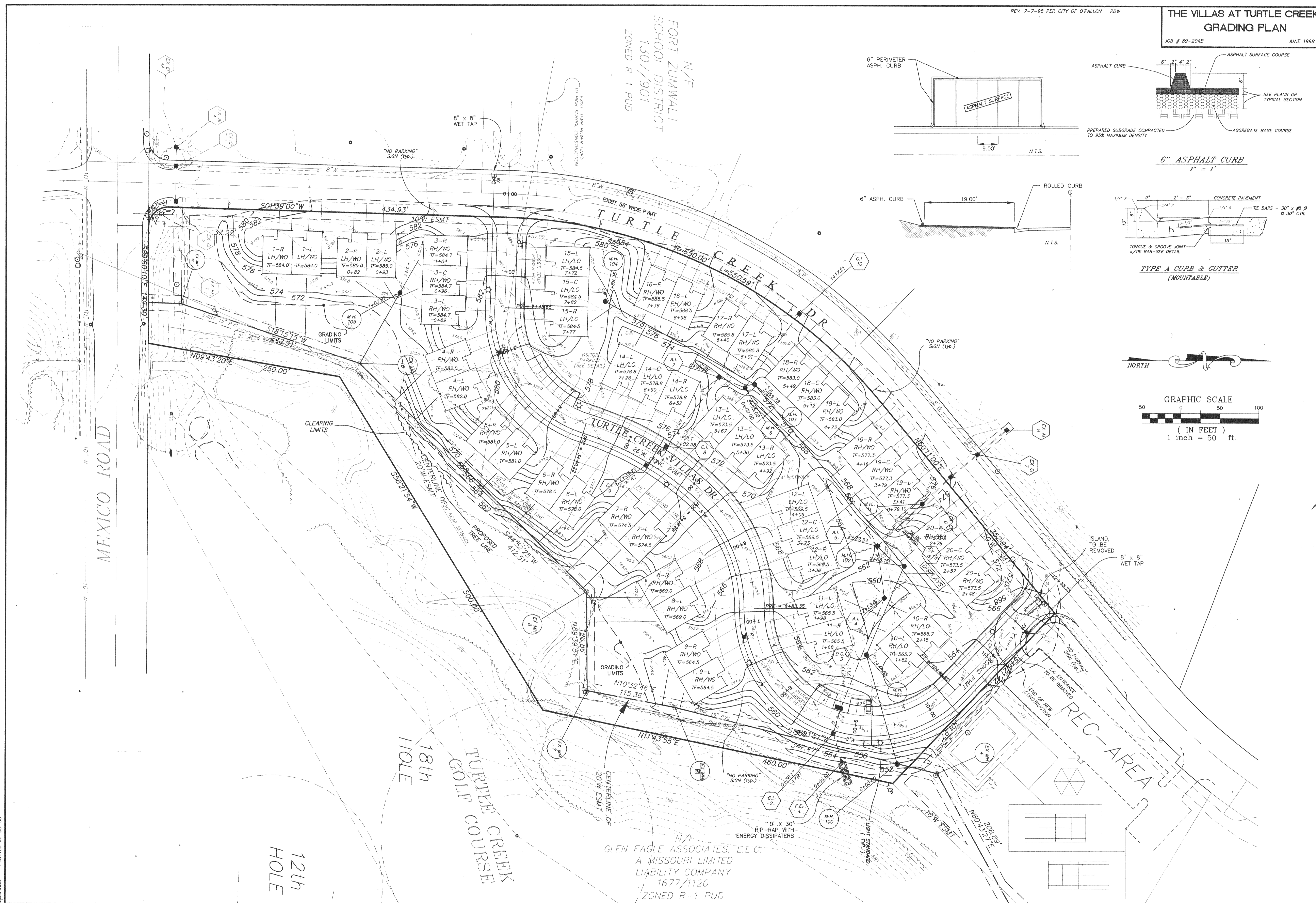
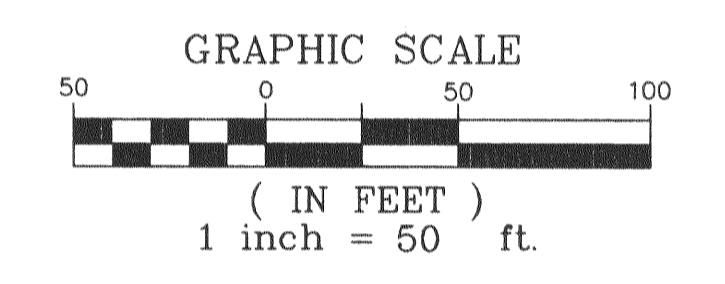
N/F
FORT ZUMWALT
SCHOOL DISTRICT
1307/901
ZONED R-1 PUD



6" ASPHALT CURB
1" = 1"



TYPE A CURB & CUTTER
(MOUNTABLE)



N/F
GLEN EAGLE ASSOCIATES, L.L.C.
A MISSOURI LIMITED
LIABILITY COMPANY
1677/1120
ZONED R-1 PUD