

**PRECAST CONCRETE**  
STORMWATER STRUCTURES

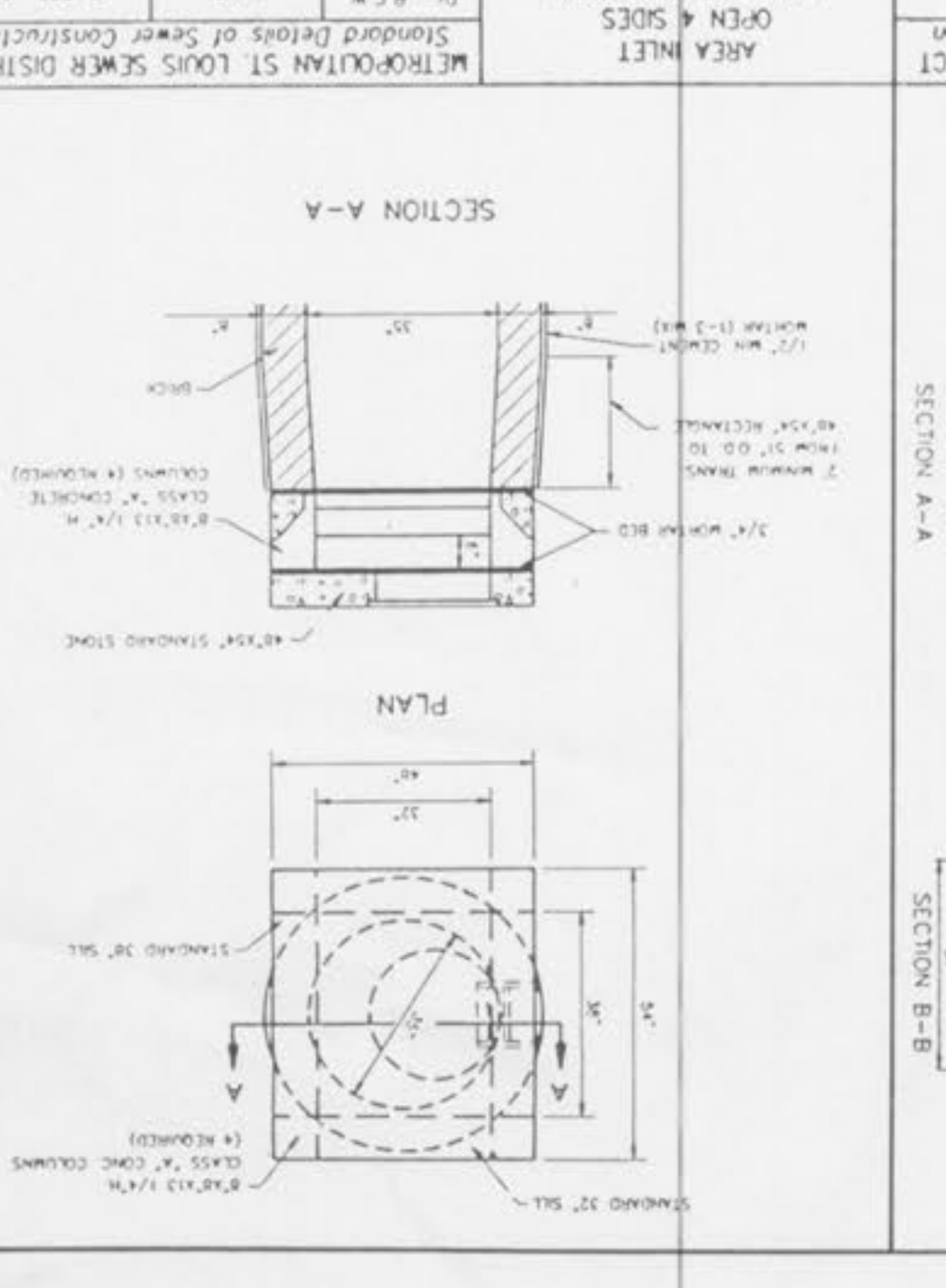
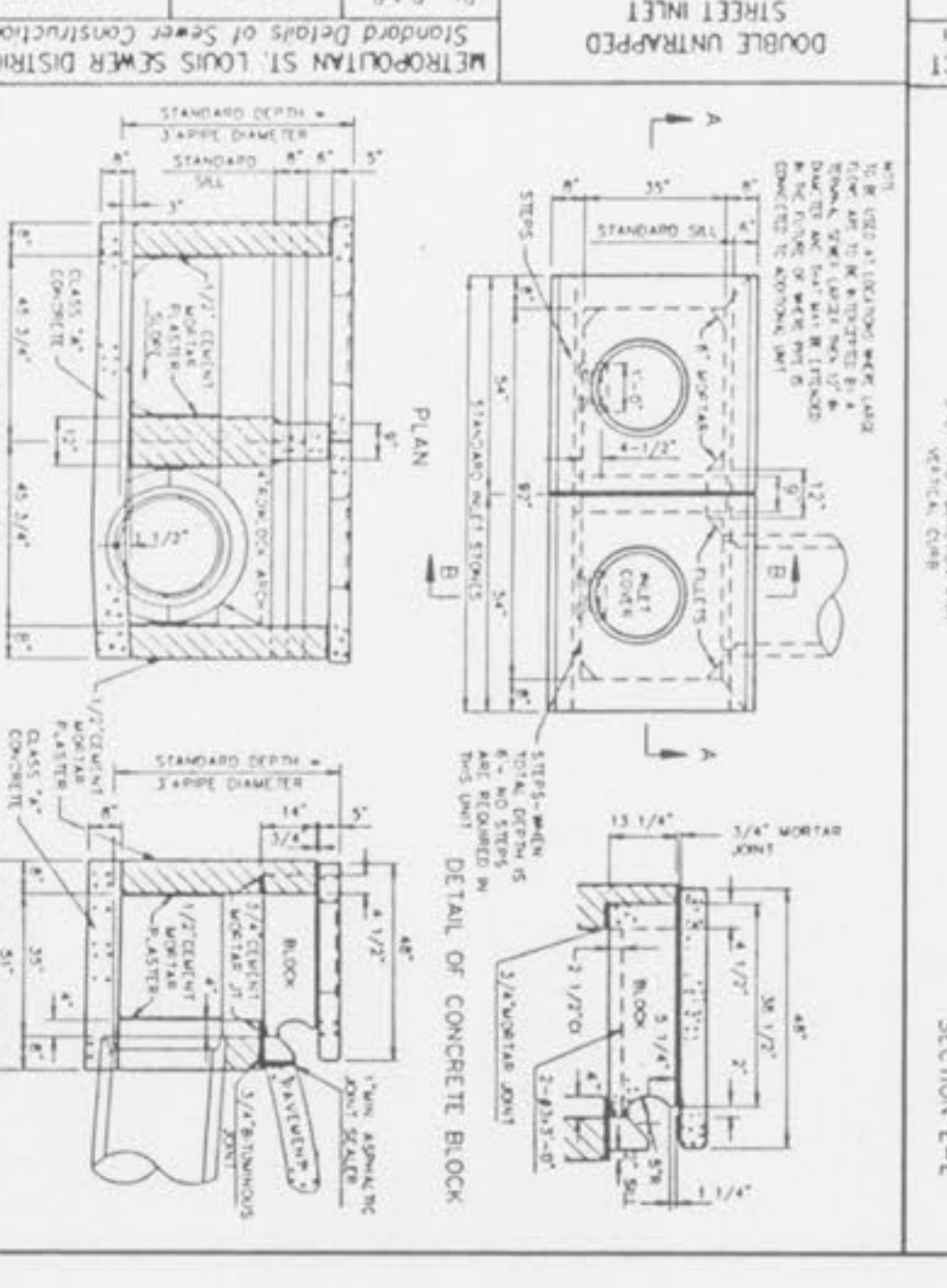
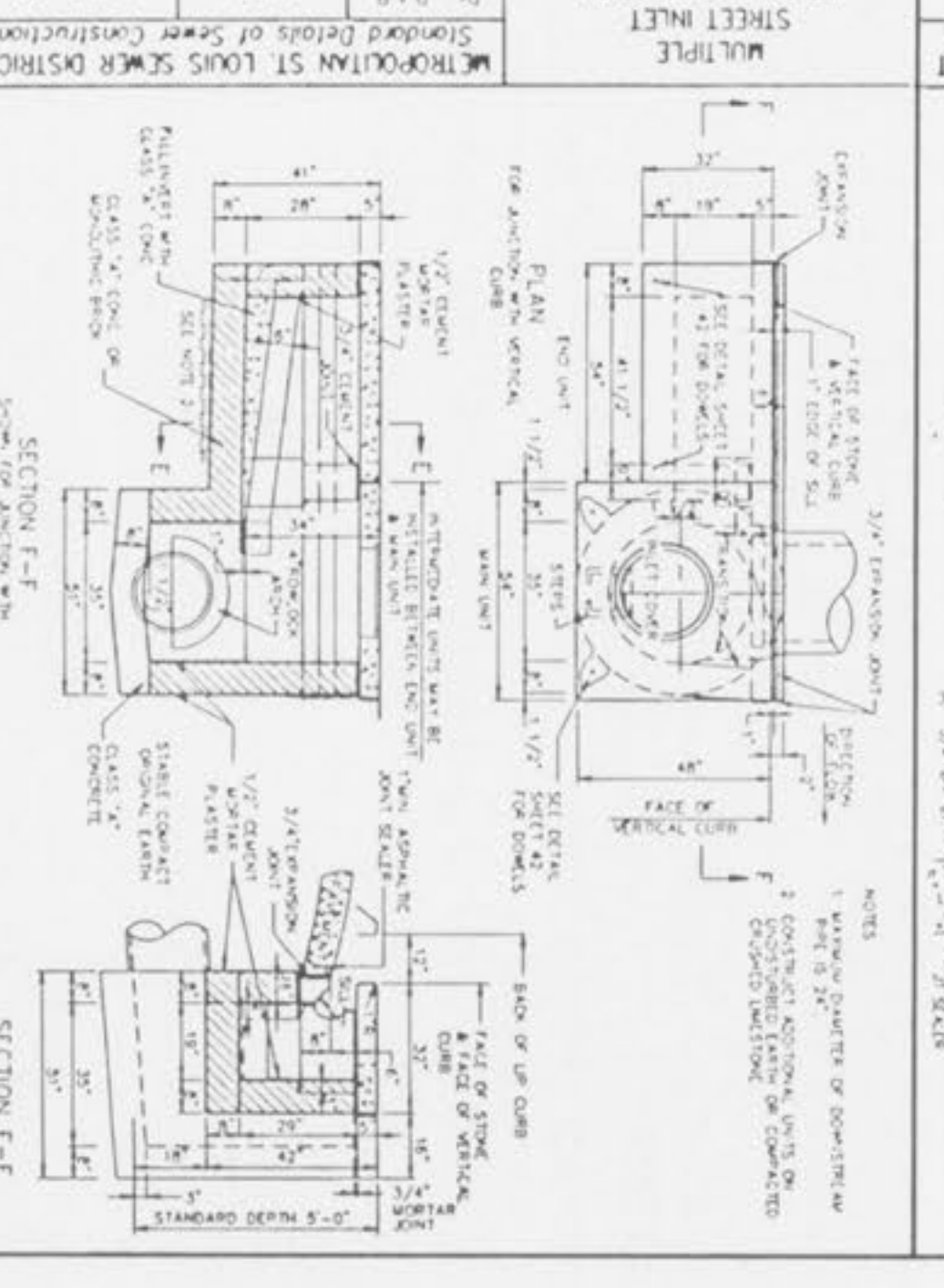
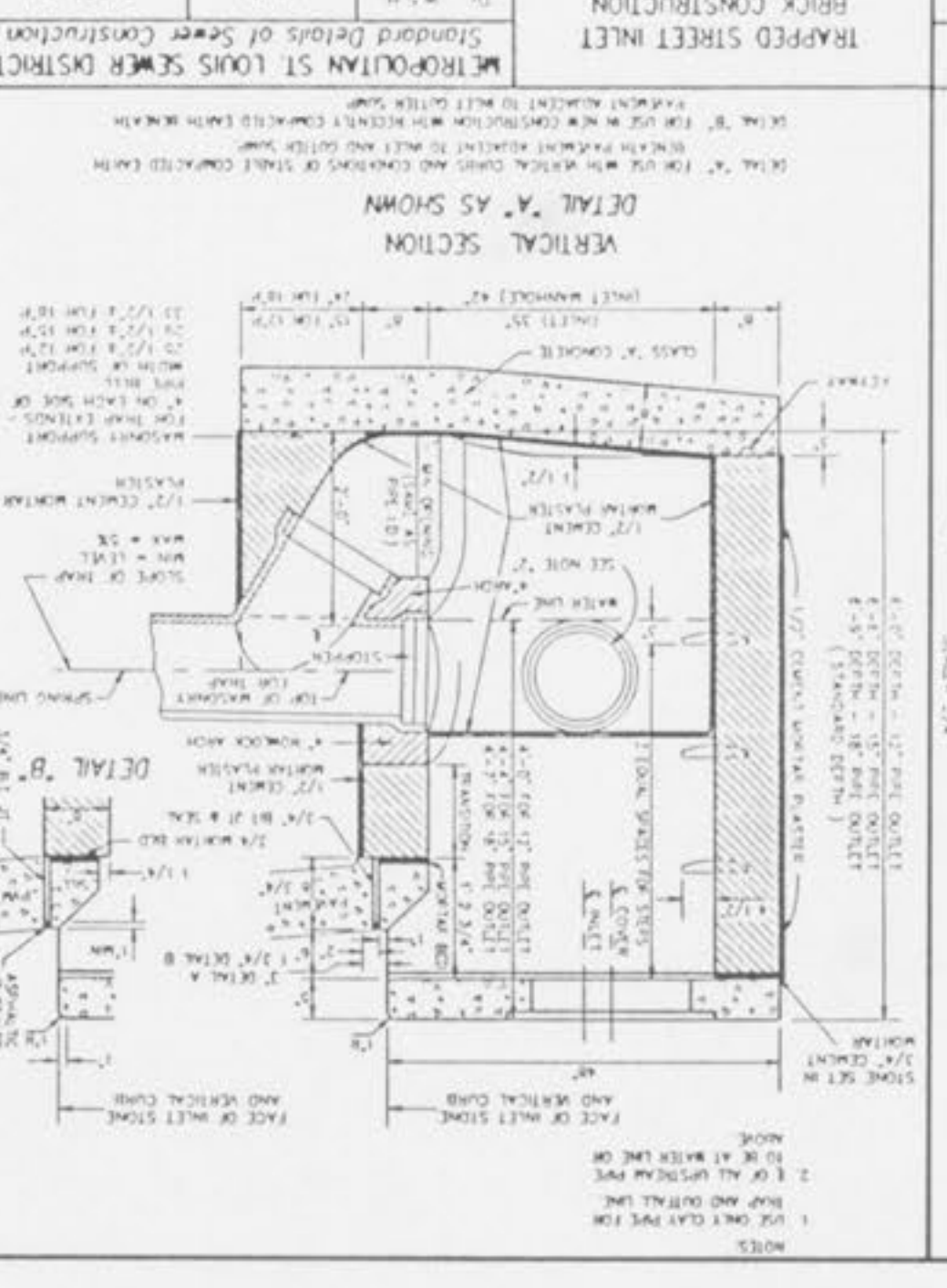
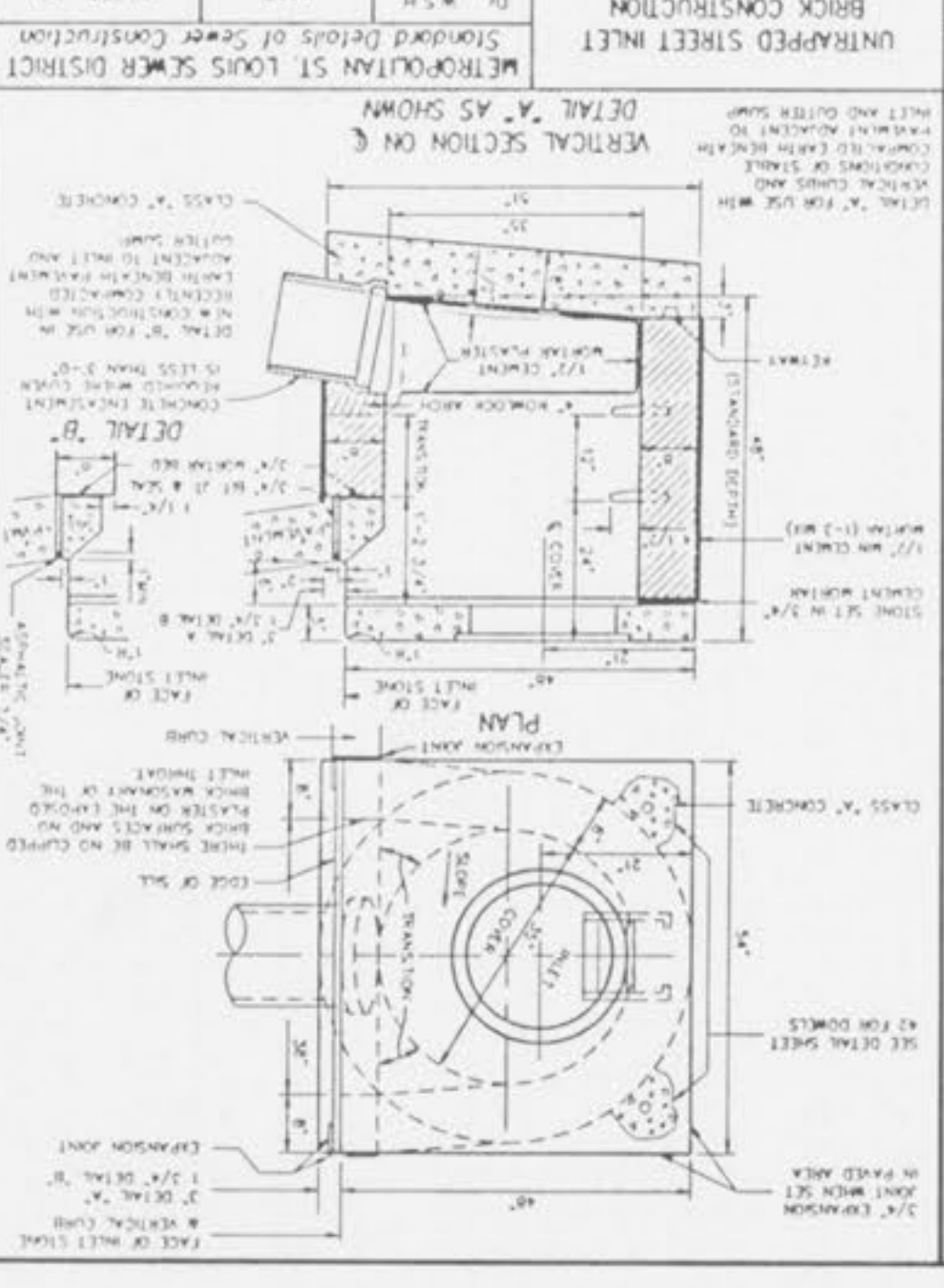
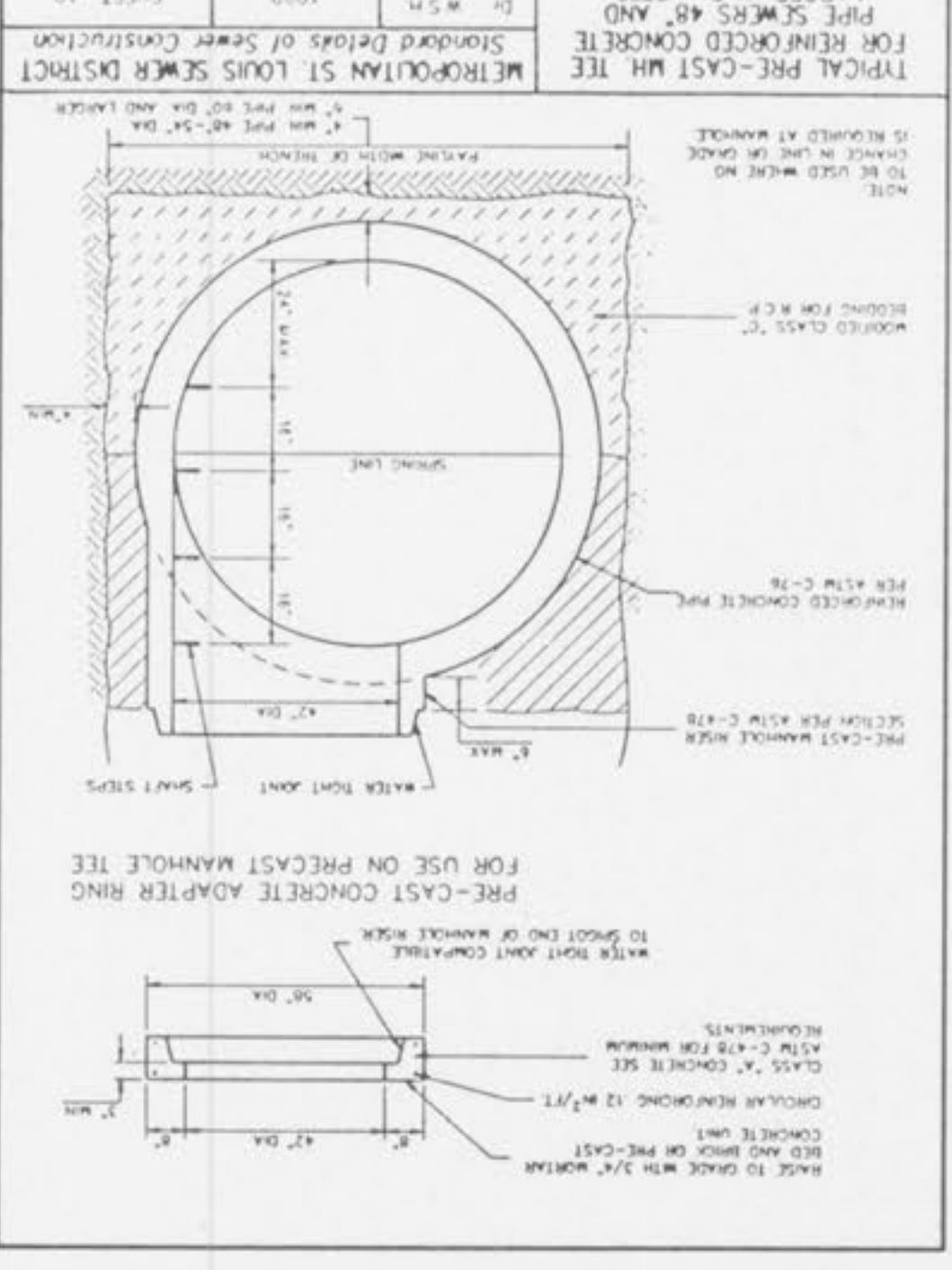
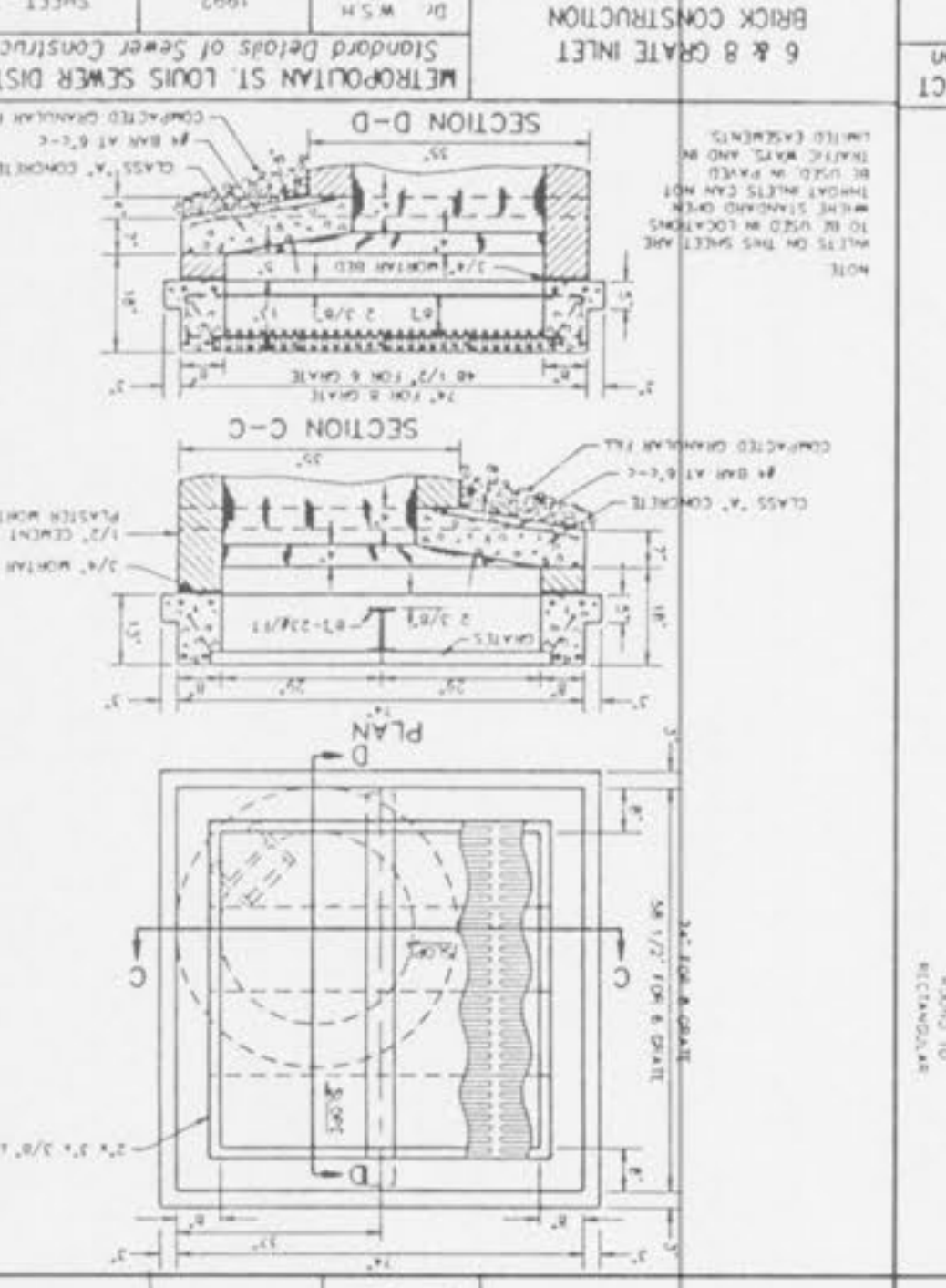
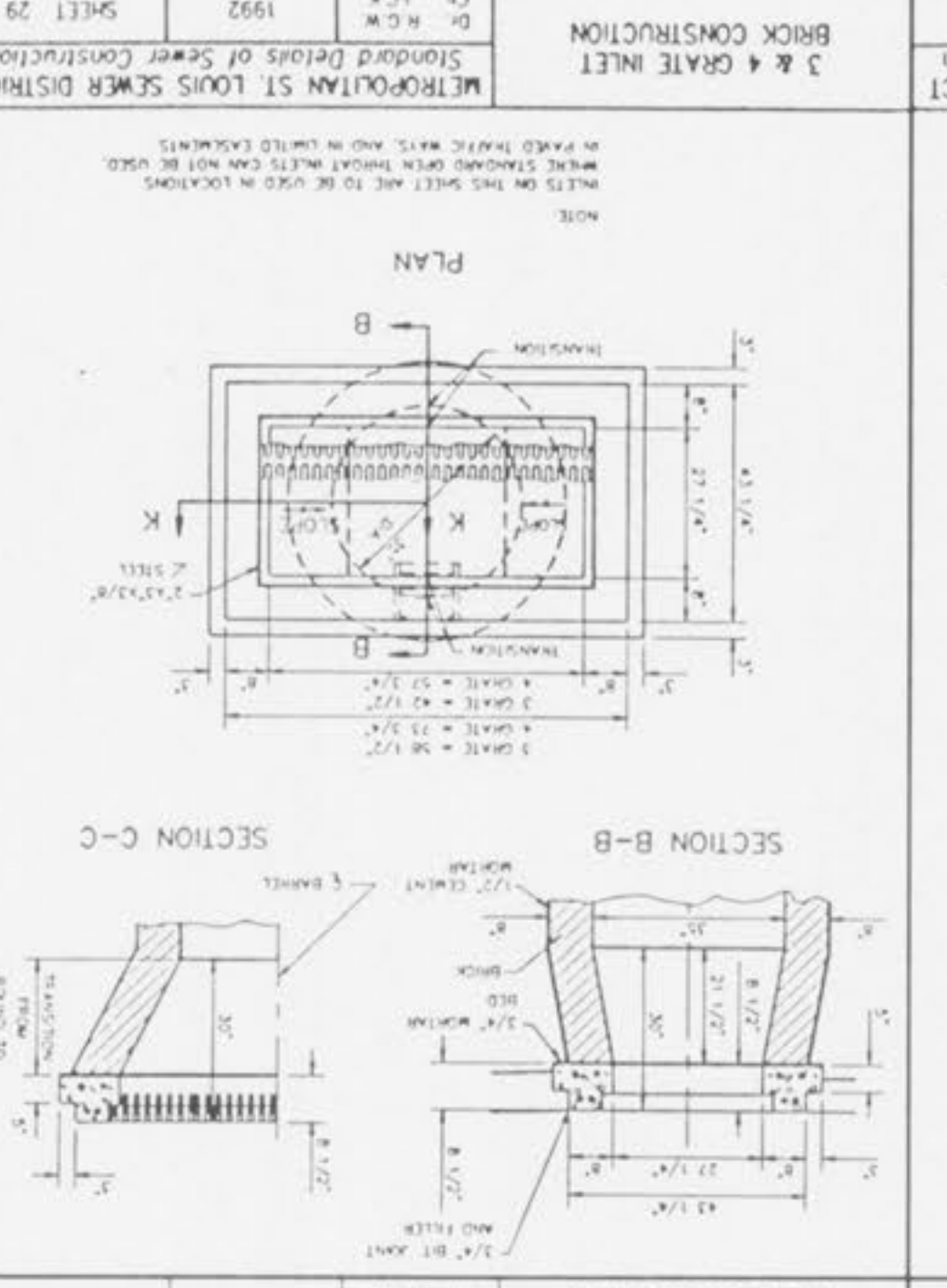
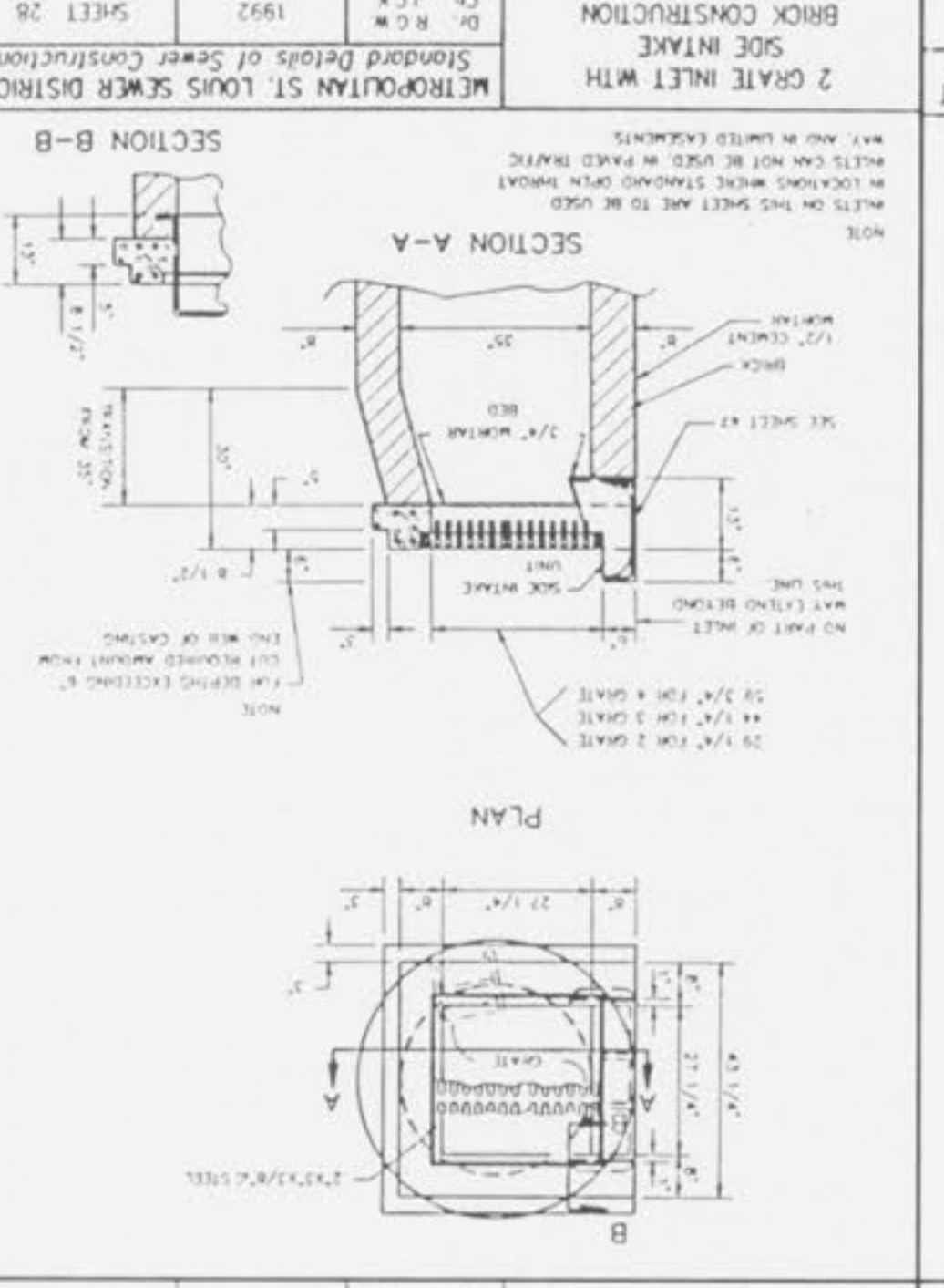
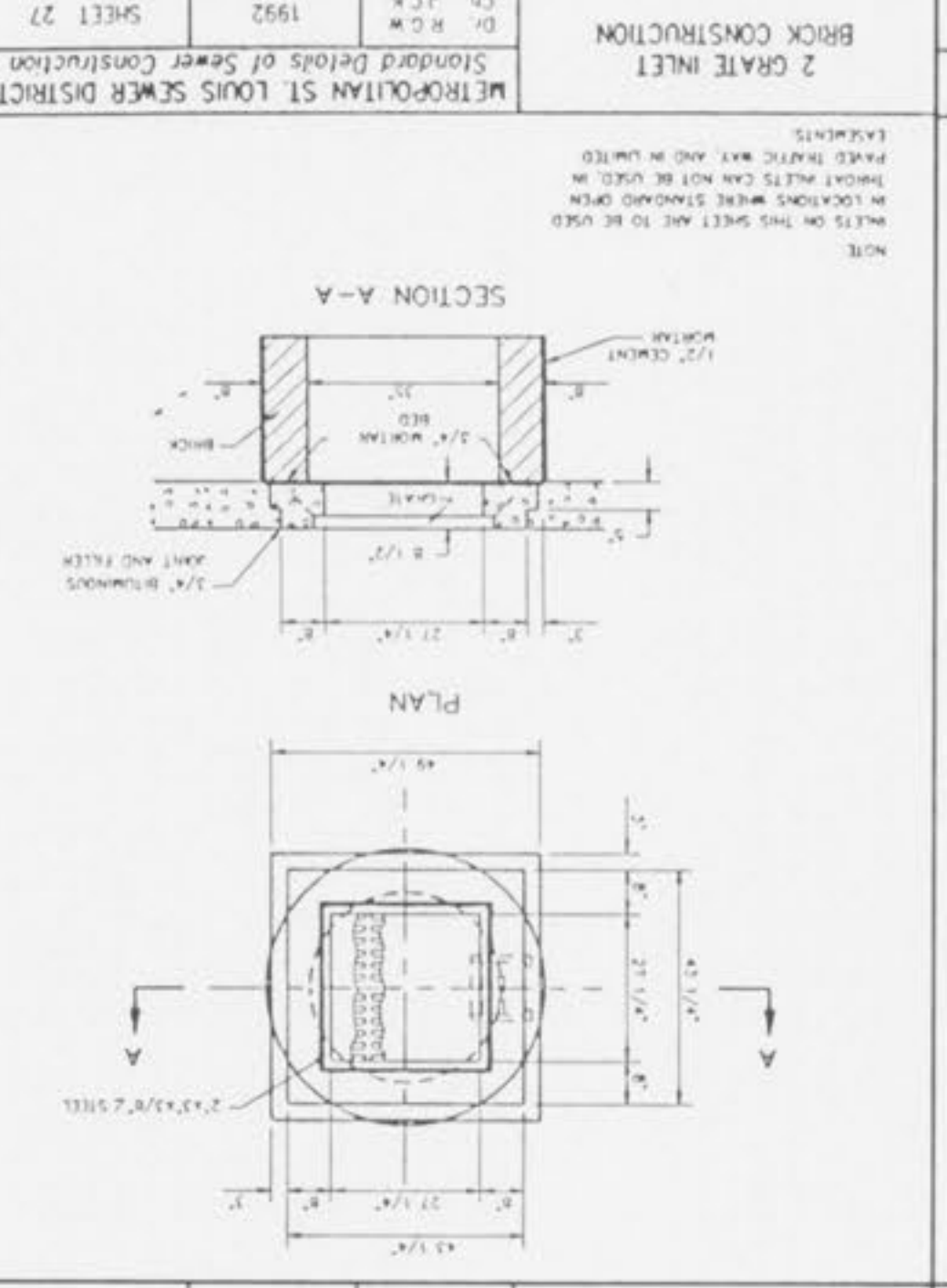
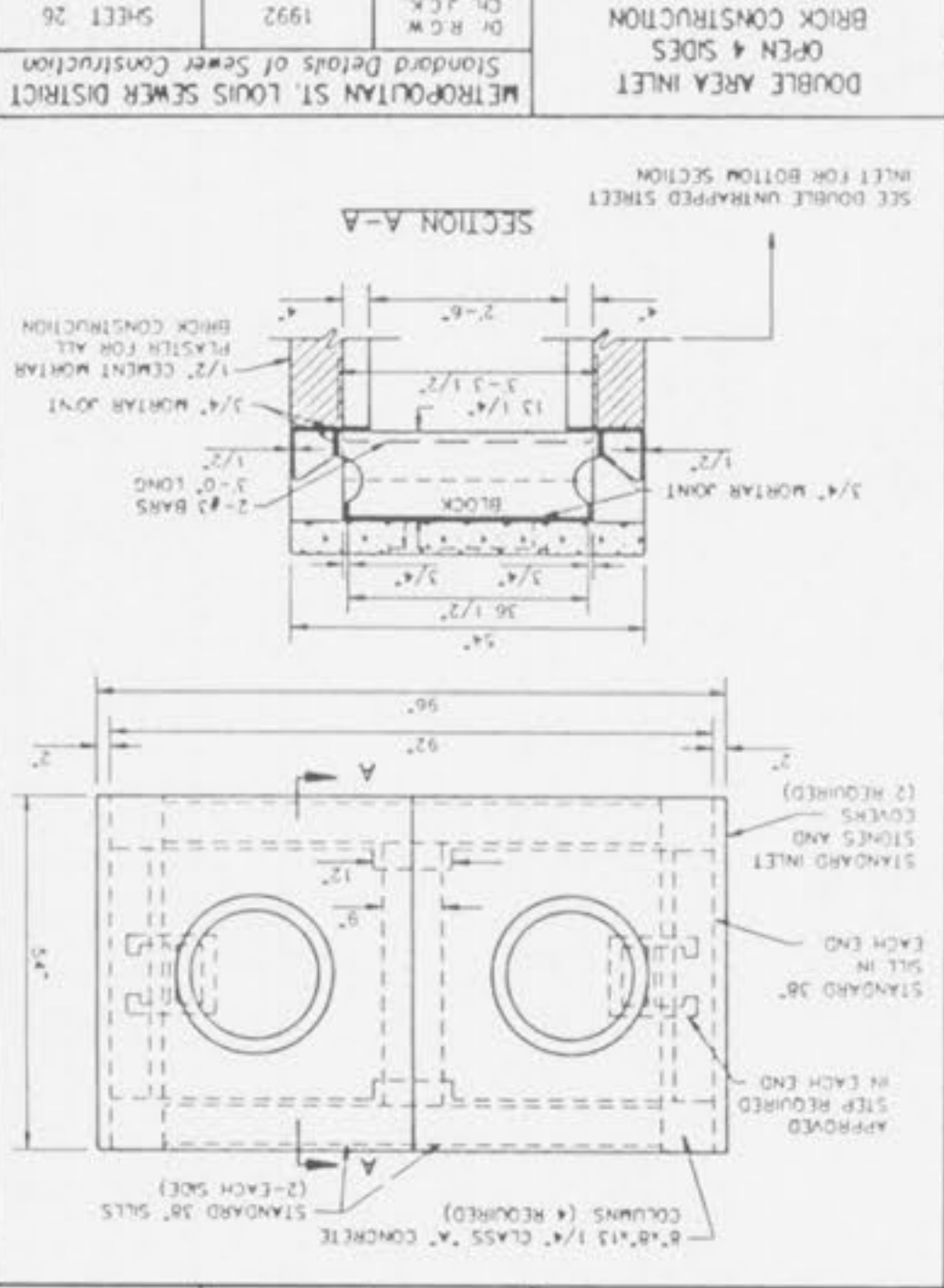
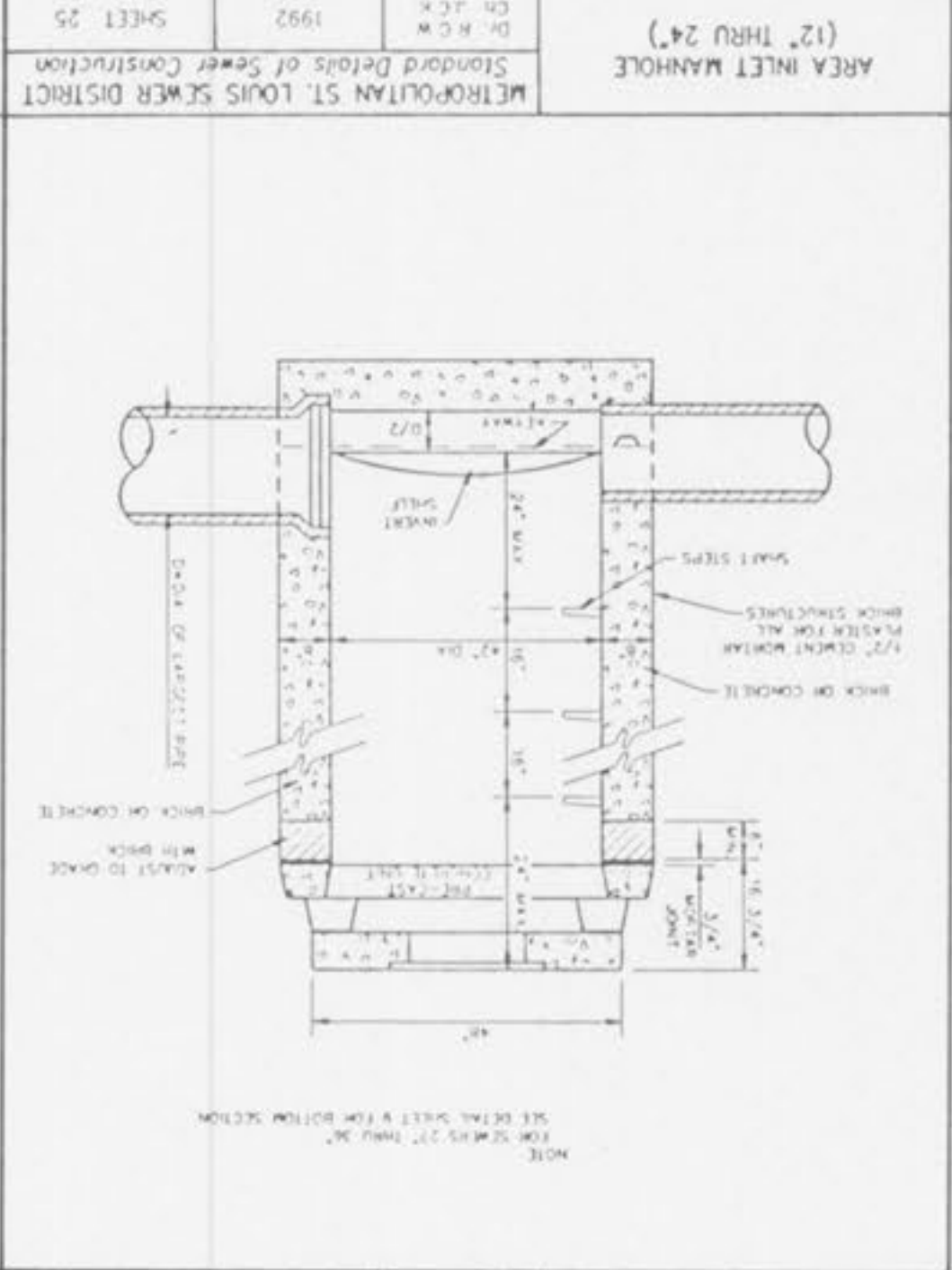
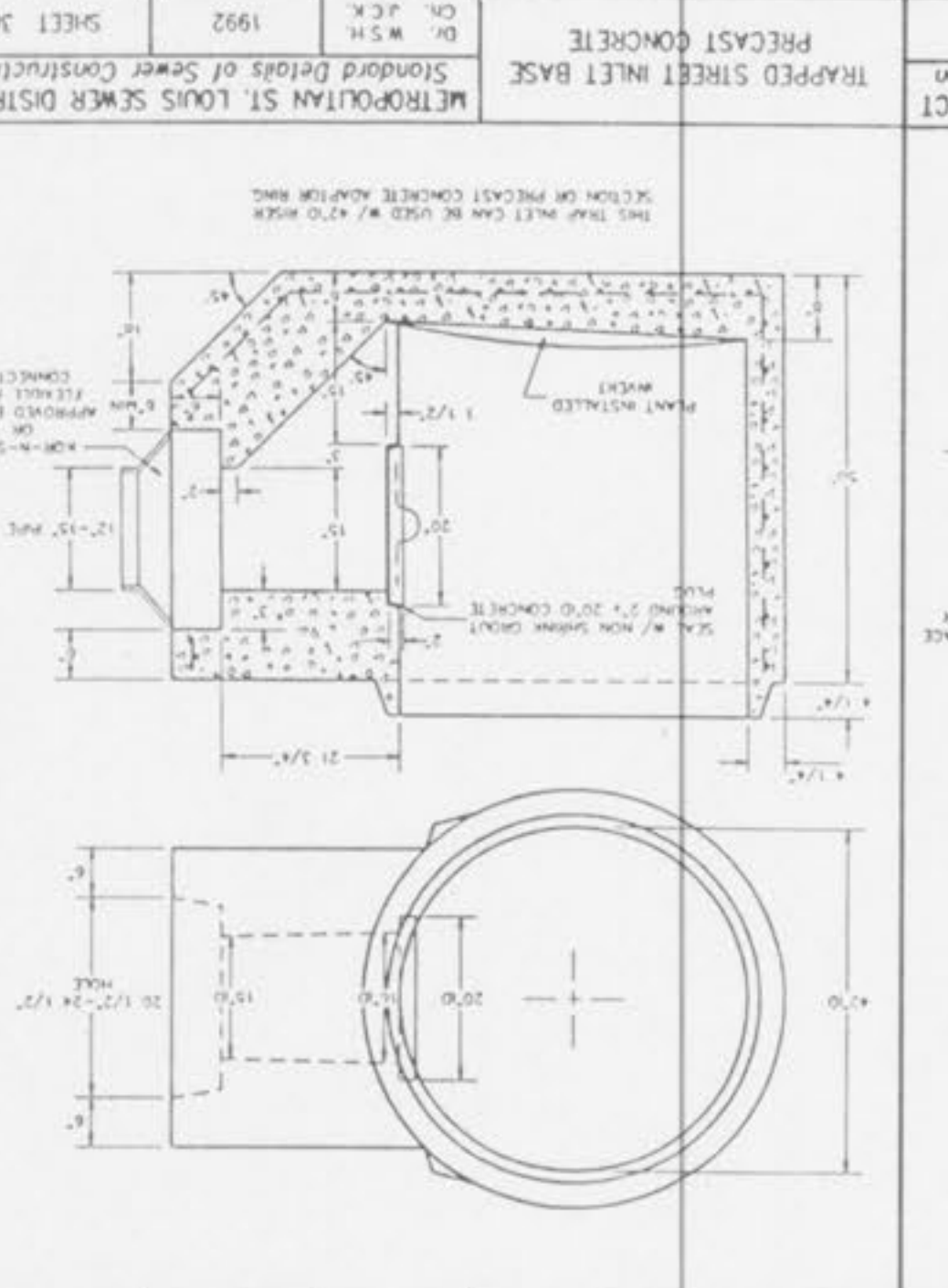
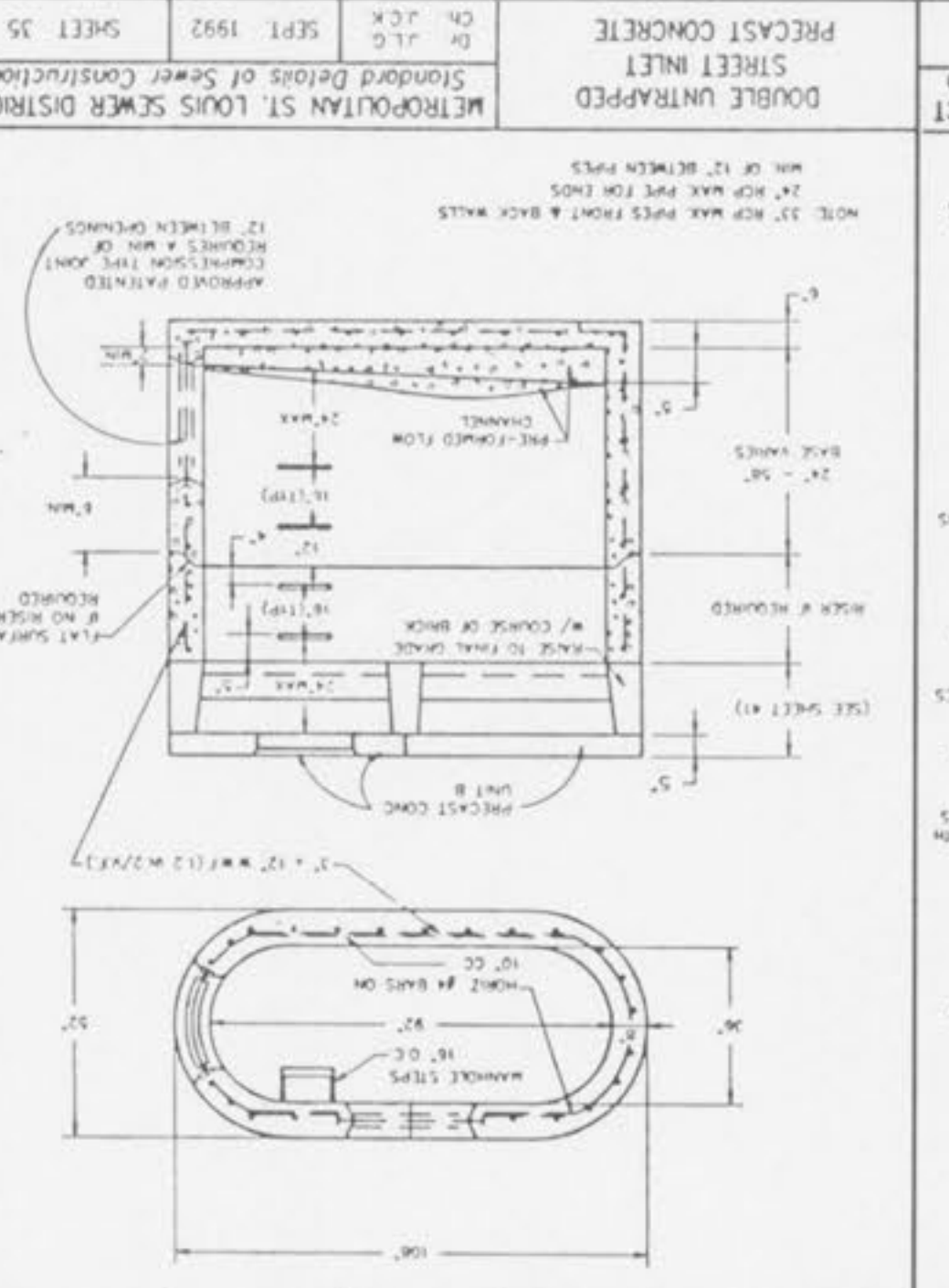
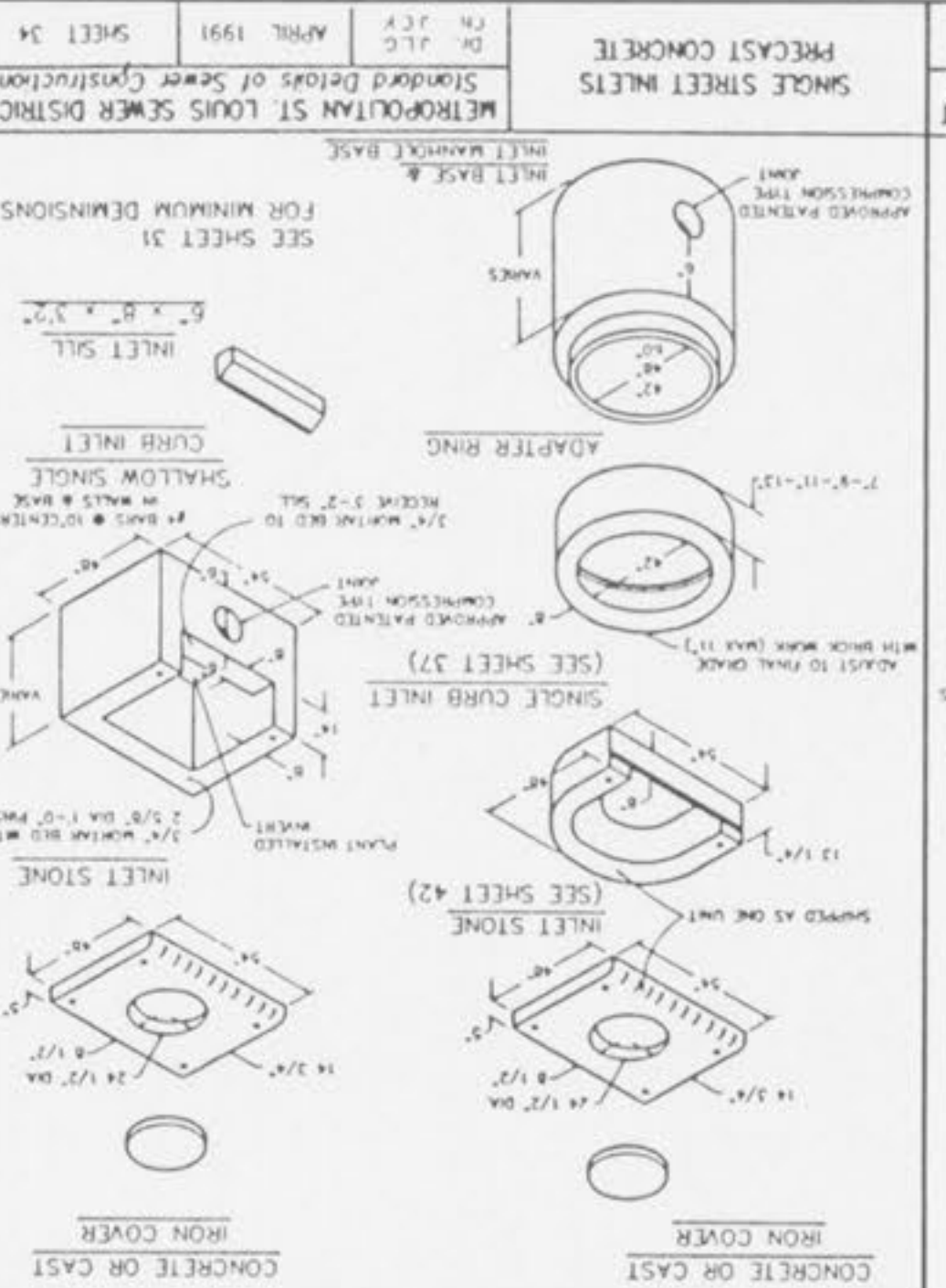
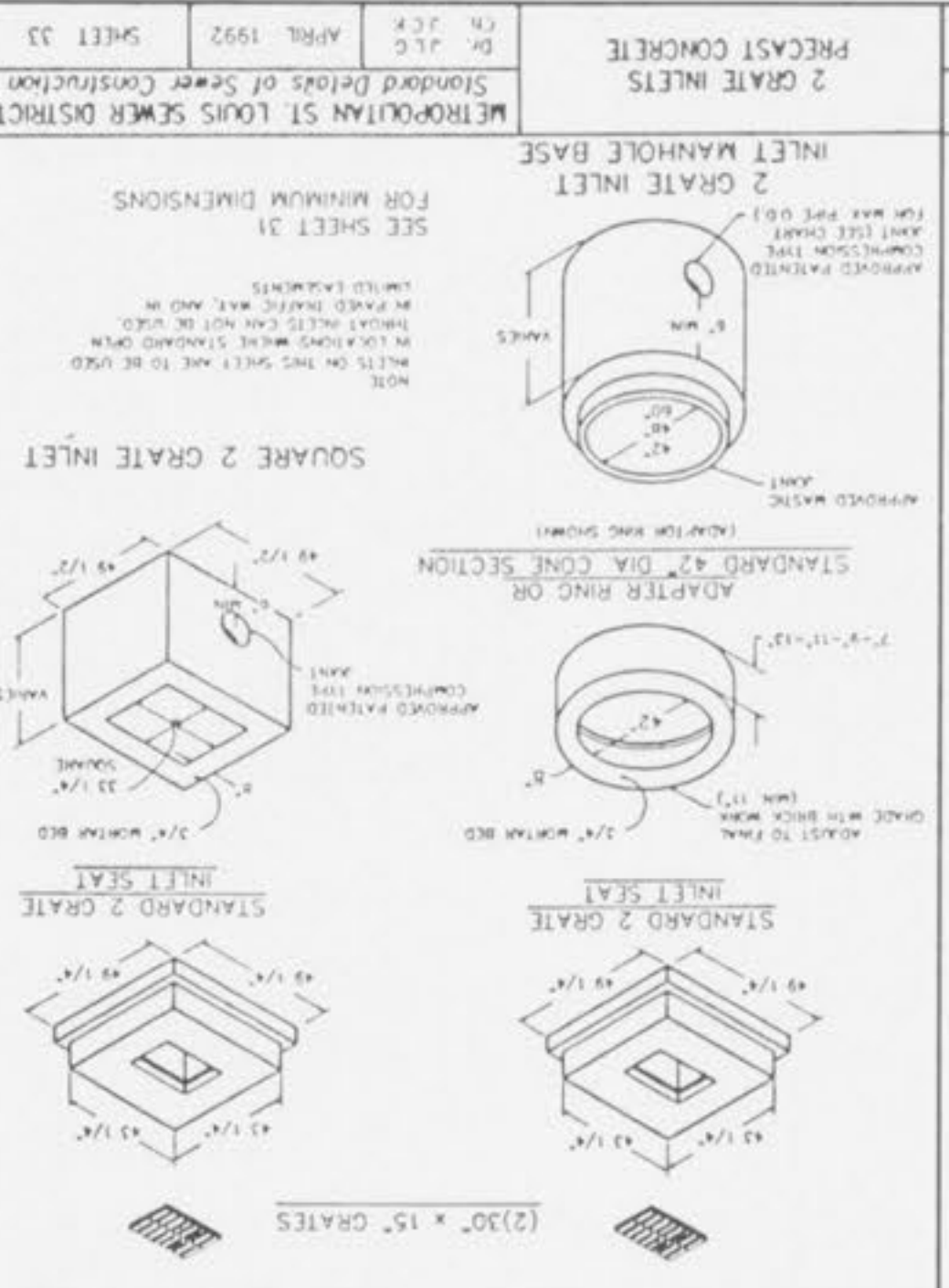
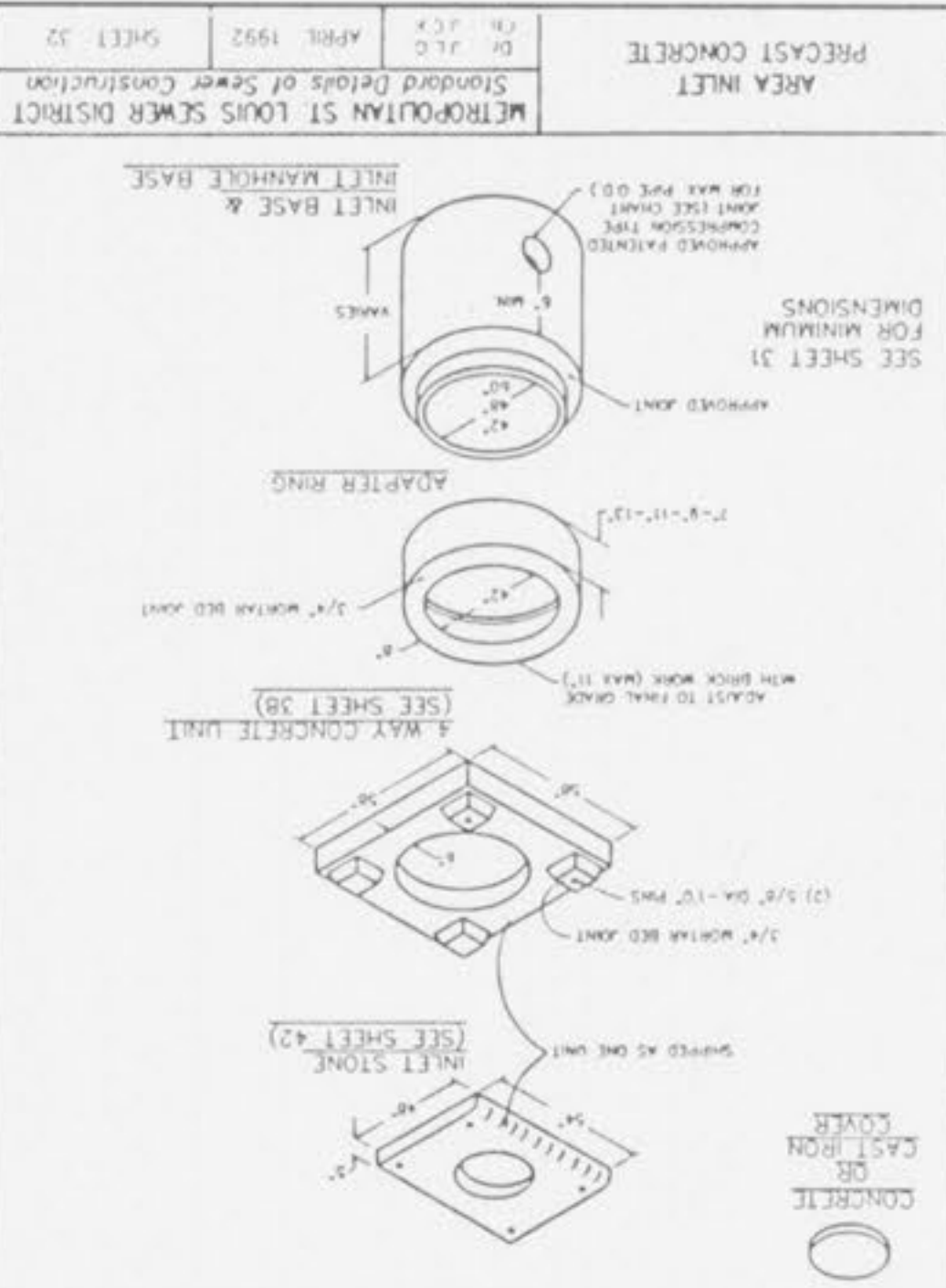
Standard Details of Sewer Construction  
METROPOLITAN ST. LOUIS SEWER DISTRICT

DR. J.L.C. CH. J.C.K. APRIL 1992 SHEET 31

ITEM NO.	DESCRIPTION	QTY	UNIT	PRICE	TOTAL
1	1. PRECAST MANHOLE	1	EA	120.00	120.00
2	2. PRECAST MANHOLE ADAPTER RING	1	EA	100.00	100.00
3	3. PRECAST MANHOLE INLET	1	EA	80.00	80.00
4	4. PRECAST MANHOLE COVER	1	EA	60.00	60.00
5	5. PRECAST MANHOLE INLET STONE	1	EA	40.00	40.00
6	6. PRECAST MANHOLE INLET SEAL	1	EA	20.00	20.00
7	7. PRECAST MANHOLE INLET GRATE	1	EA	15.00	15.00
8	8. PRECAST MANHOLE INLET MANHOLE BASE	1	EA	10.00	10.00
9	9. PRECAST MANHOLE INLET MANHOLE RING	1	EA	5.00	5.00
10	10. PRECAST MANHOLE INLET MANHOLE COVER	1	EA	5.00	5.00
11	11. PRECAST MANHOLE INLET MANHOLE INLET STONE	1	EA	5.00	5.00
12	12. PRECAST MANHOLE INLET MANHOLE INLET SEAL	1	EA	5.00	5.00
13	13. PRECAST MANHOLE INLET MANHOLE INLET GRATE	1	EA	5.00	5.00
14	14. PRECAST MANHOLE INLET MANHOLE INLET MANHOLE BASE	1	EA	5.00	5.00
15	15. PRECAST MANHOLE INLET MANHOLE INLET MANHOLE RING	1	EA	5.00	5.00
16	16. PRECAST MANHOLE INLET MANHOLE INLET MANHOLE COVER	1	EA	5.00	5.00
17	17. PRECAST MANHOLE INLET MANHOLE INLET MANHOLE INLET STONE	1	EA	5.00	5.00
18	18. PRECAST MANHOLE INLET MANHOLE INLET MANHOLE INLET SEAL	1	EA	5.00	5.00
19	19. PRECAST MANHOLE INLET MANHOLE INLET MANHOLE INLET GRATE	1	EA	5.00	5.00
20	20. PRECAST MANHOLE INLET MANHOLE INLET MANHOLE INLET MANHOLE BASE	1	EA	5.00	5.00
21	21. PRECAST MANHOLE INLET MANHOLE INLET MANHOLE INLET MANHOLE RING	1	EA	5.00	5.00
22	22. PRECAST MANHOLE INLET MANHOLE INLET MANHOLE INLET MANHOLE COVER	1	EA	5.00	5.00
23	23. PRECAST MANHOLE INLET MANHOLE INLET MANHOLE INLET MANHOLE INLET STONE	1	EA	5.00	5.00
24	24. PRECAST MANHOLE INLET MANHOLE INLET MANHOLE INLET MANHOLE INLET SEAL	1	EA	5.00	5.00
25	25. PRECAST MANHOLE INLET MANHOLE INLET MANHOLE INLET MANHOLE INLET GRATE	1	EA	5.00	5.00
26	26. PRECAST MANHOLE INLET MANHOLE INLET MANHOLE INLET MANHOLE INLET MANHOLE BASE	1	EA	5.00	5.00
27	27. PRECAST MANHOLE INLET MANHOLE INLET MANHOLE INLET MANHOLE INLET MANHOLE RING	1	EA	5.00	5.00
28	28. PRECAST MANHOLE INLET MANHOLE INLET MANHOLE INLET MANHOLE INLET MANHOLE COVER	1	EA	5.00	5.00
29	29. PRECAST MANHOLE INLET MANHOLE INLET MANHOLE INLET MANHOLE INLET MANHOLE INLET STONE	1	EA	5.00	5.00
30	30. PRECAST MANHOLE INLET MANHOLE INLET MANHOLE INLET MANHOLE INLET MANHOLE INLET SEAL	1	EA	5.00	5.00
31	31. PRECAST MANHOLE INLET MANHOLE INLET MANHOLE INLET MANHOLE INLET MANHOLE INLET GRATE	1	EA	5.00	5.00
32	32. PRECAST MANHOLE INLET MANHOLE INLET MANHOLE INLET MANHOLE INLET MANHOLE INLET MANHOLE BASE	1	EA	5.00	5.00
33	33. PRECAST MANHOLE INLET MANHOLE INLET MANHOLE INLET MANHOLE INLET MANHOLE INLET MANHOLE RING	1	EA	5.00	5.00
34	34. PRECAST MANHOLE INLET MANHOLE INLET MANHOLE INLET MANHOLE INLET MANHOLE INLET MANHOLE COVER	1	EA	5.00	5.00
35	35. PRECAST MANHOLE INLET MANHOLE INLET MANHOLE INLET MANHOLE INLET MANHOLE INLET MANHOLE INLET STONE	1	EA	5.00	5.00
36	36. PRECAST MANHOLE INLET MANHOLE INLET MANHOLE INLET MANHOLE INLET MANHOLE INLET MANHOLE INLET SEAL	1	EA	5.00	5.00
37	37. PRECAST MANHOLE INLET MANHOLE INLET MANHOLE INLET MANHOLE INLET MANHOLE INLET MANHOLE INLET GRATE	1	EA	5.00	5.00
38	38. PRECAST MANHOLE INLET MANHOLE INLET MANHOLE INLET MANHOLE INLET MANHOLE INLET MANHOLE INLET MANHOLE BASE	1	EA	5.00	5.00
39	39. PRECAST MANHOLE INLET MANHOLE INLET MANHOLE INLET MANHOLE INLET MANHOLE INLET MANHOLE INLET MANHOLE RING	1	EA	5.00	5.00
40	40. PRECAST MANHOLE INLET MANHOLE INLET MANHOLE INLET MANHOLE INLET MANHOLE INLET MANHOLE INLET MANHOLE COVER	1	EA	5.00	5.00
41	41. PRECAST MANHOLE INLET MANHOLE INLET MANHOLE INLET MANHOLE INLET MANHOLE INLET MANHOLE INLET MANHOLE INLET STONE	1	EA	5.00	5.00
42	42. PRECAST MANHOLE INLET MANHOLE INLET MANHOLE INLET MANHOLE INLET MANHOLE INLET MANHOLE INLET MANHOLE INLET SEAL	1	EA	5.00	5.00
43	43. PRECAST MANHOLE INLET MANHOLE INLET MANHOLE INLET MANHOLE INLET MANHOLE INLET MANHOLE INLET MANHOLE INLET GRATE	1	EA	5.00	5.00
44	44. PRECAST MANHOLE INLET MANHOLE INLET MANHOLE INLET MANHOLE INLET MANHOLE INLET MANHOLE INLET MANHOLE INLET MANHOLE BASE	1	EA	5.00	5.00
45	45. PRECAST MANHOLE INLET MANHOLE INLET MANHOLE INLET MANHOLE INLET MANHOLE INLET MANHOLE INLET MANHOLE INLET MANHOLE RING	1	EA	5.00	5.00
46	46. PRECAST MANHOLE INLET MANHOLE INLET MANHOLE INLET MANHOLE INLET MANHOLE INLET MANHOLE INLET MANHOLE INLET MANHOLE COVER	1	EA	5.00	5.00
47	47. PRECAST MANHOLE INLET MANHOLE INLET MANHOLE INLET MANHOLE INLET MANHOLE INLET MANHOLE INLET MANHOLE INLET MANHOLE INLET STONE	1	EA	5.00	5.00
48	48. PRECAST MANHOLE INLET MANHOLE INLET MANHOLE INLET MANHOLE INLET MANHOLE INLET MANHOLE INLET MANHOLE INLET MANHOLE INLET SEAL	1	EA	5.00	5.00
49	49. PRECAST MANHOLE INLET MANHOLE INLET MANHOLE INLET MANHOLE INLET MANHOLE INLET MANHOLE INLET MANHOLE INLET MANHOLE INLET GRATE	1	EA	5.00	5.00
50	50. PRECAST MANHOLE INLET MANHOLE INLET MANHOLE INLET MANHOLE INLET MANHOLE INLET MANHOLE INLET MANHOLE INLET MANHOLE INLET MANHOLE BASE	1	EA	5.00	5.00

MINIMUM DISTANCE FROM TOP OF STONE OR GRATE

CONCRETE  
CAST OR PRECAST



CONSTRUCTION DETAILS

CONSTRUCTION DETAILS

CONSTRUCTION DETAILS

CONSTRUCTION DETAILS

CONSTRUCTION DETAILS

CONSTRUCTION DETAILS