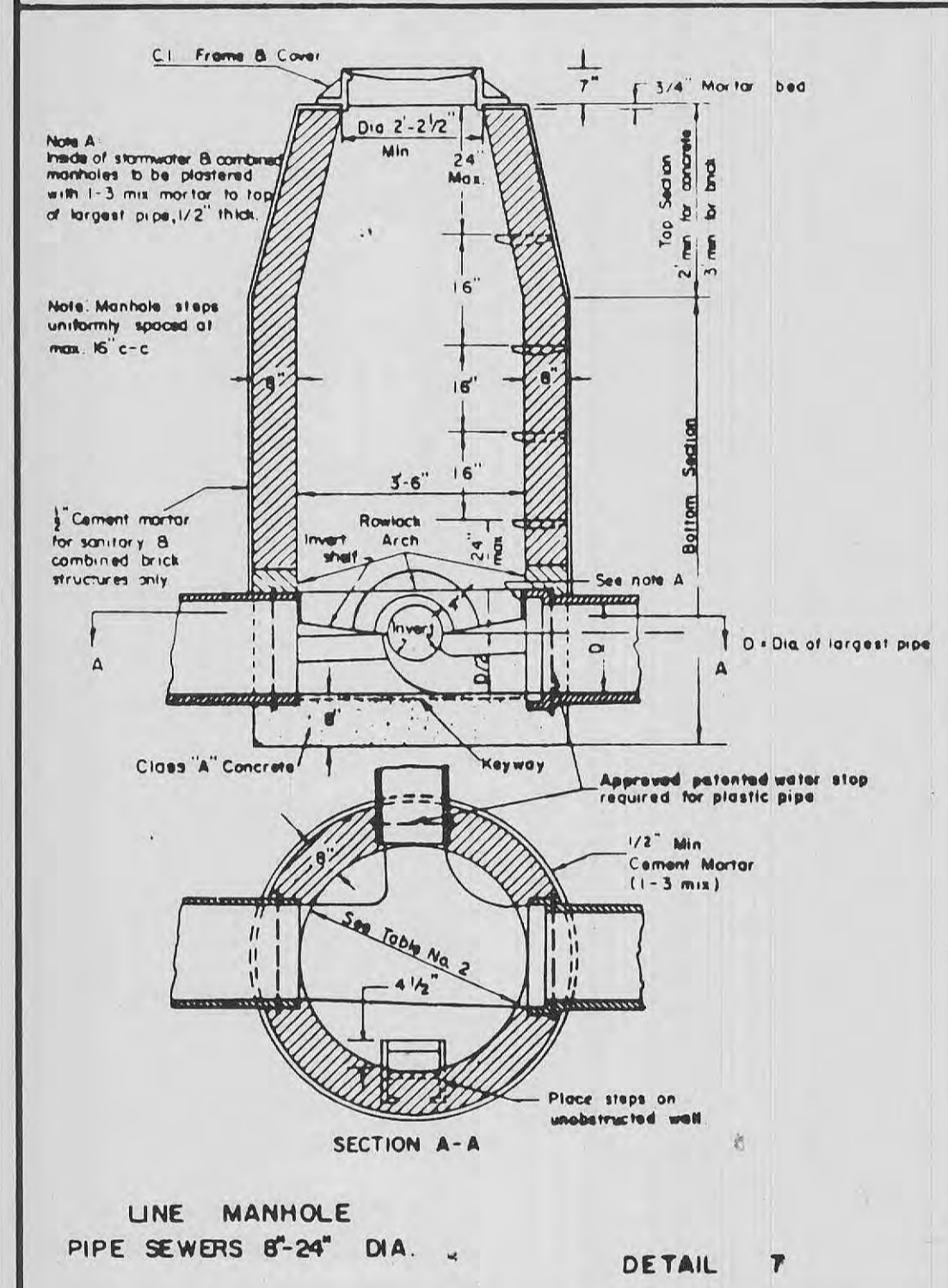


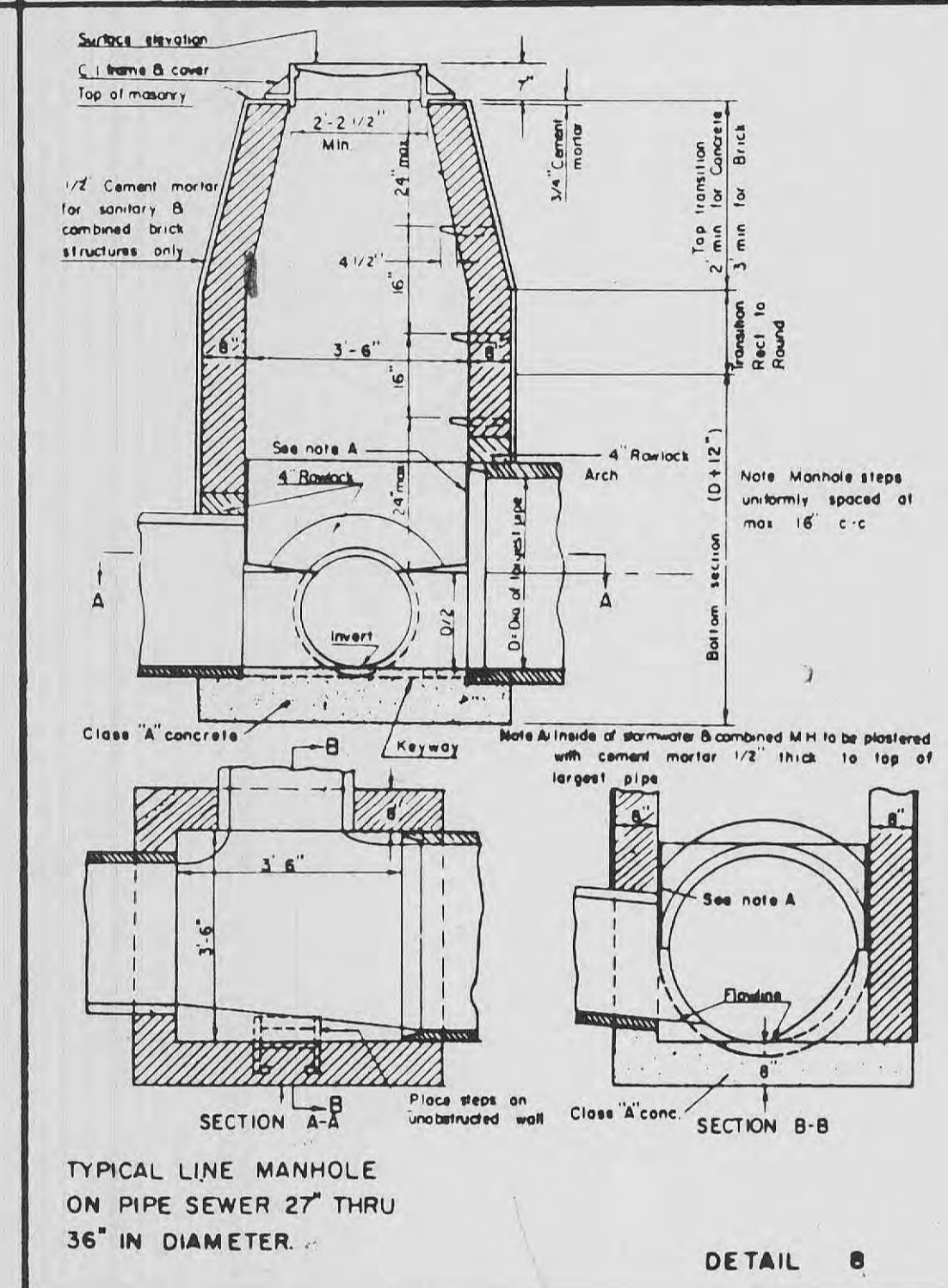
ROUND PIPE				HORIZONTAL ELLIPTICAL PIPE			
Inside Diameter of Pipe (Inches)	"w" Payline Width of Trench (Feet)	"w" Payline Width of Trench (Inches)	Pay Volume cu ft per ft of Pipe	Inside Dimensions of Pipe (Inches)	"w" Payline Width of Trench (Feet)	"w" Payline Width of Trench (Inches)	Pay Volume cu ft per ft of Pipe
4	28	233	3.20				
6	28	233	3.46				
8	28	233	3.70				
10	28	233	3.86				
12	28	233	3.98				
15	32	267	4.89				
18	35	292	5.63	14 x 23	41	342	5.84
21	38	325	6.61				
24	42	350	7.39	19 x 30	49	408	7.88
27	45	375	8.18	22 x 34	53	442	8.81
30	49	408	9.30	24 x 38	58	483	9.70
33	53	442	10.53	27 x 42	62	517	10.71
36	56	467	11.43	29 x 45	66	550	11.72
39	DISCONTINUED			32 x 49	71	592	13.14
42	63	525	13.38	34 x 53	75	625	14.05
48	70	583	15.67	38 x 60	83	692	16.18
54	77	642	18.15	43 x 68	92	767	18.81
60	84	700	20.73	48 x 76	101	842	21.58
66	91	758	23.45	53 x 83	109	908	24.35
72	98	817	26.37	58 x 91	118	985	27.45
78	105	875	29.39	63 x 98	126	1050	30.30
84	112	933	32.57	68 x 106	135	1125	33.91
90	119	992	35.90	72 x 113	143	1192	36.99
96	126	1050	39.37	77 x 121	152	1267	40.89
102	133	1108	42.99	82 x 128	160	1333	44.48
108	140	1167	46.75	87 x 136	168	1400	47.79
114	147	1225	50.66	92 x 143	176	1467	51.70
120	154	1283	54.72	97 x 151	185	1542	56.01
126	161	1342	58.92				
132	168	1400	63.27	106 x 168	202	1683	64.48
144	182	1517	72.40	116 x 180	218	1817	73.58

TABLE NO. 1
PAYLINE WIDTHS OF TRENCH AND PAY - QUANTITIES OF CONCRETE



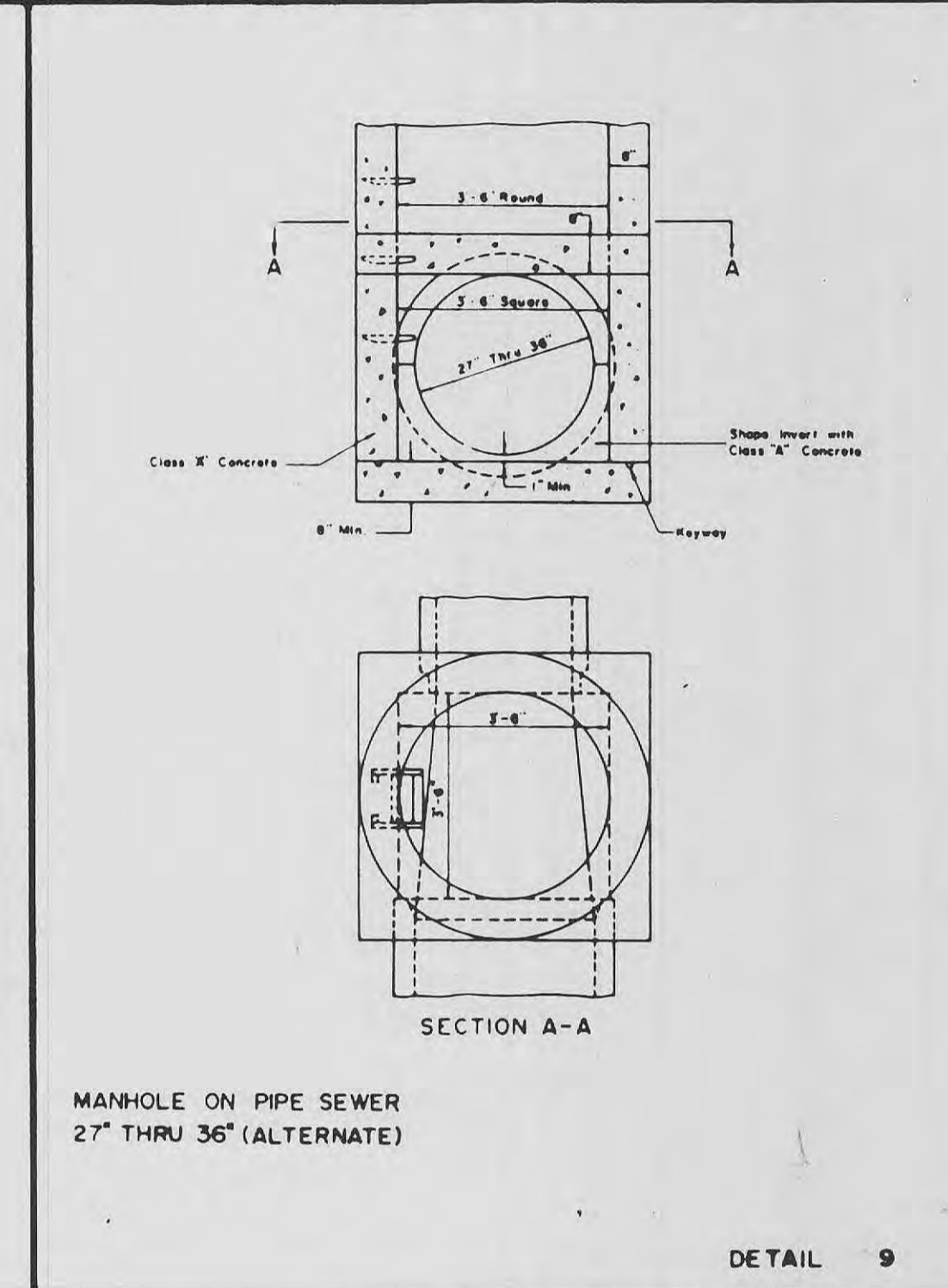
DETAIL 7

PIPE BEDDING CLASS "C" (FOR ALL PIPE EXCEPT REINFORCED CONCRETE PIPE)



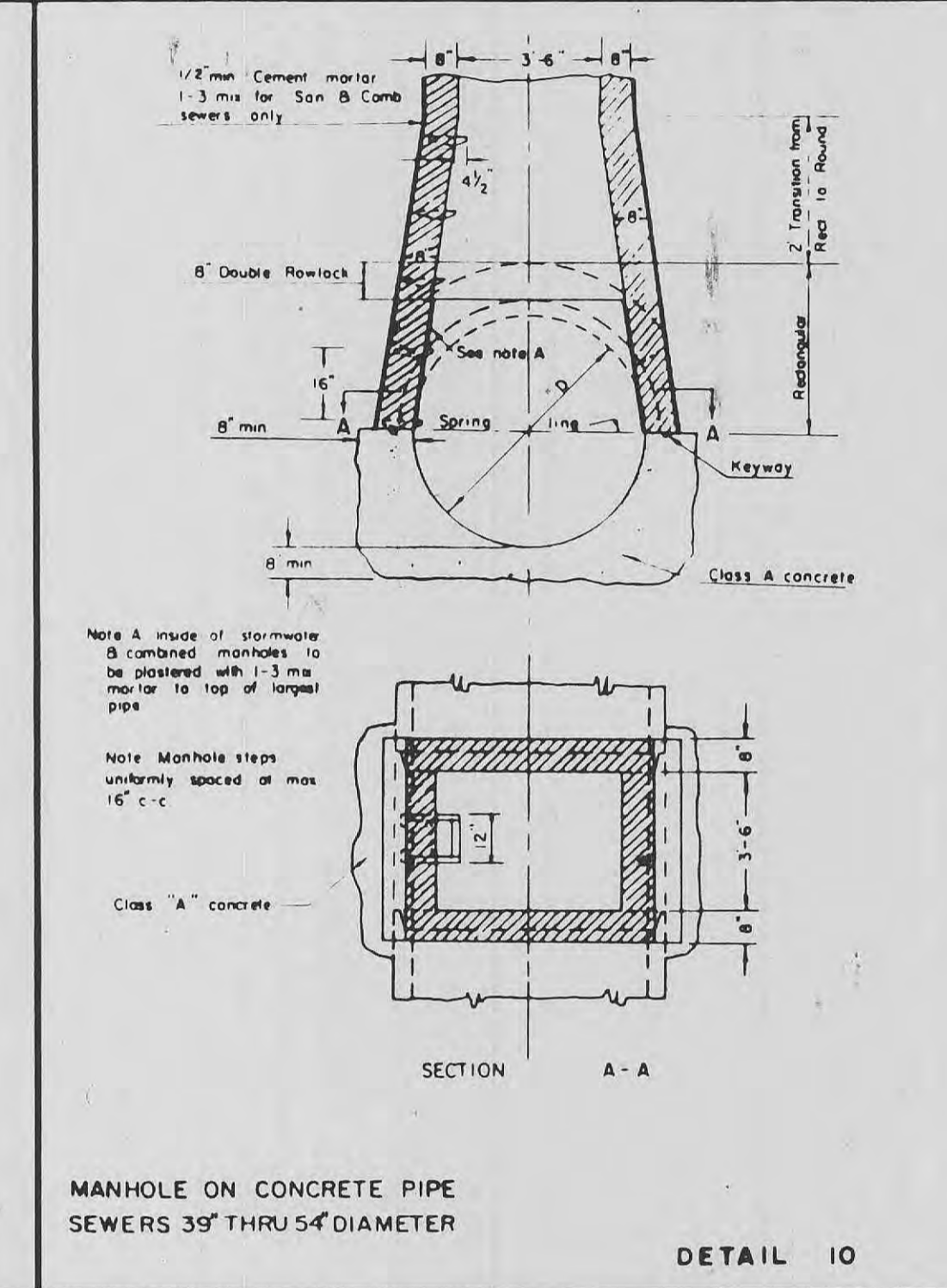
DETAIL 8

PIPE BEDDING CLASS "C" (MODIFIED FOR REINFORCED CONCRETE PIPE)



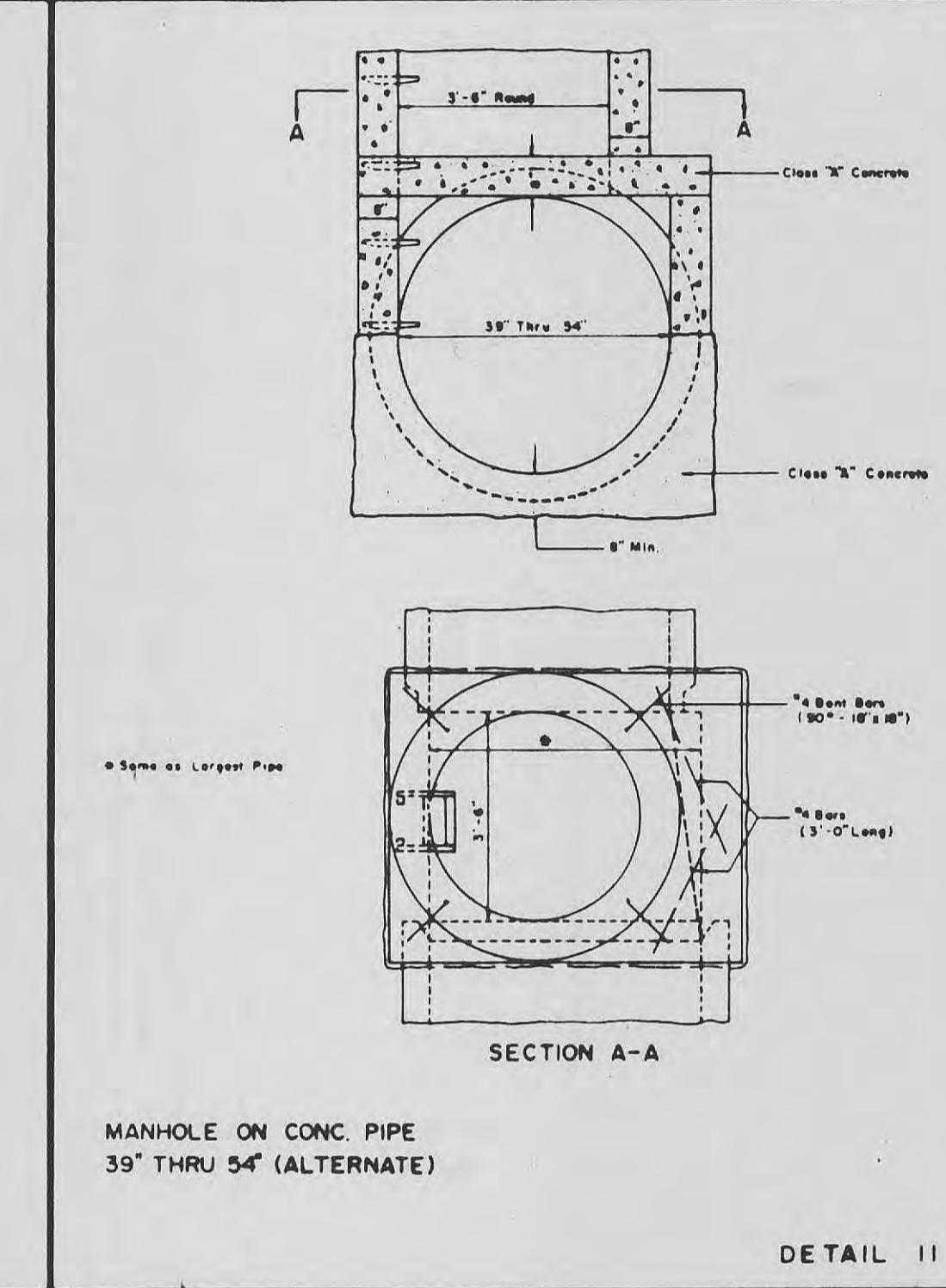
DETAIL 9

CONCRETE ENCASEMENT



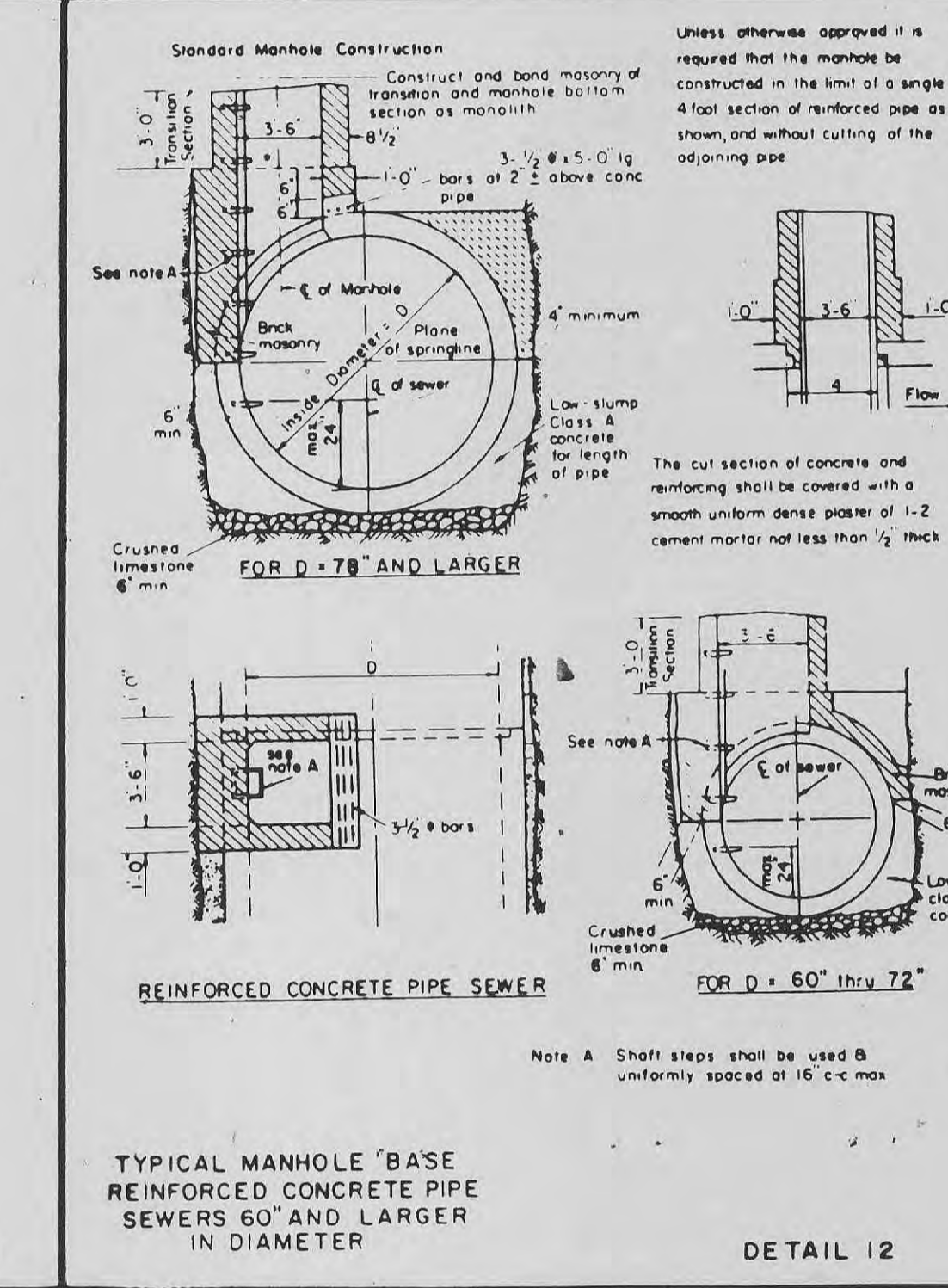
DETAIL 10

CONCRETE CRADLE

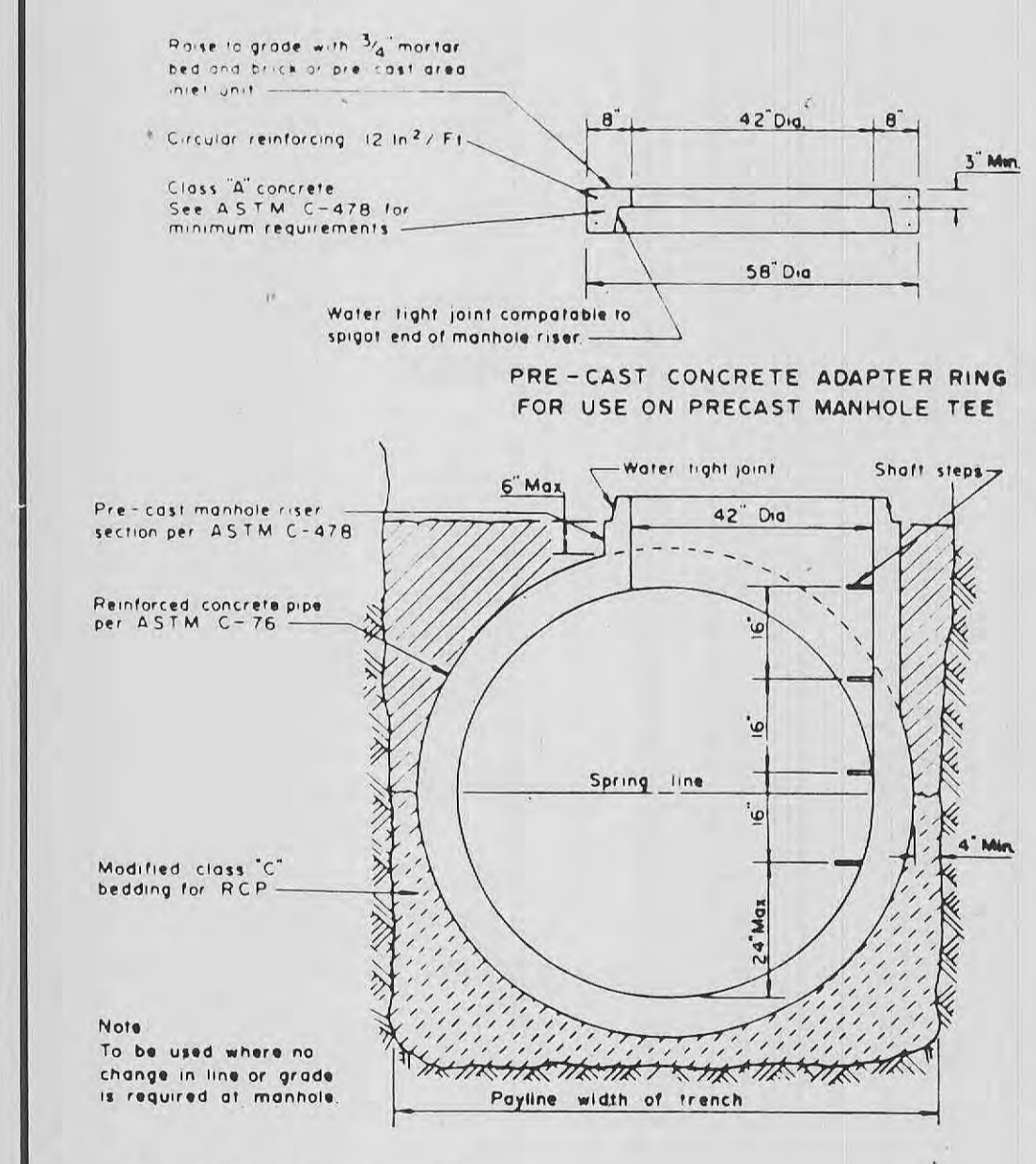


DETAIL 11

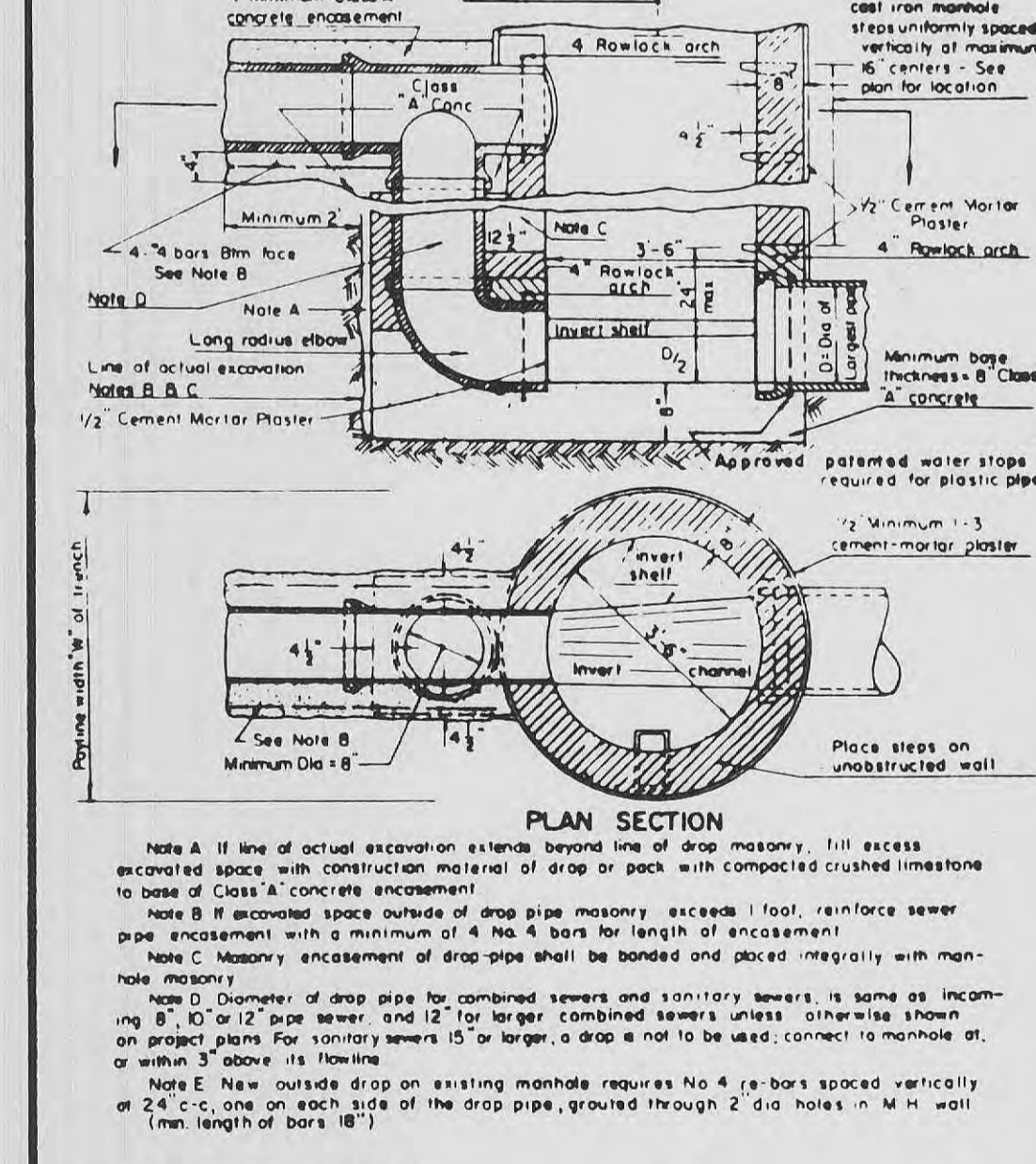
TABLE NO. 2
STANDARD MANHOLE DIMENSIONS



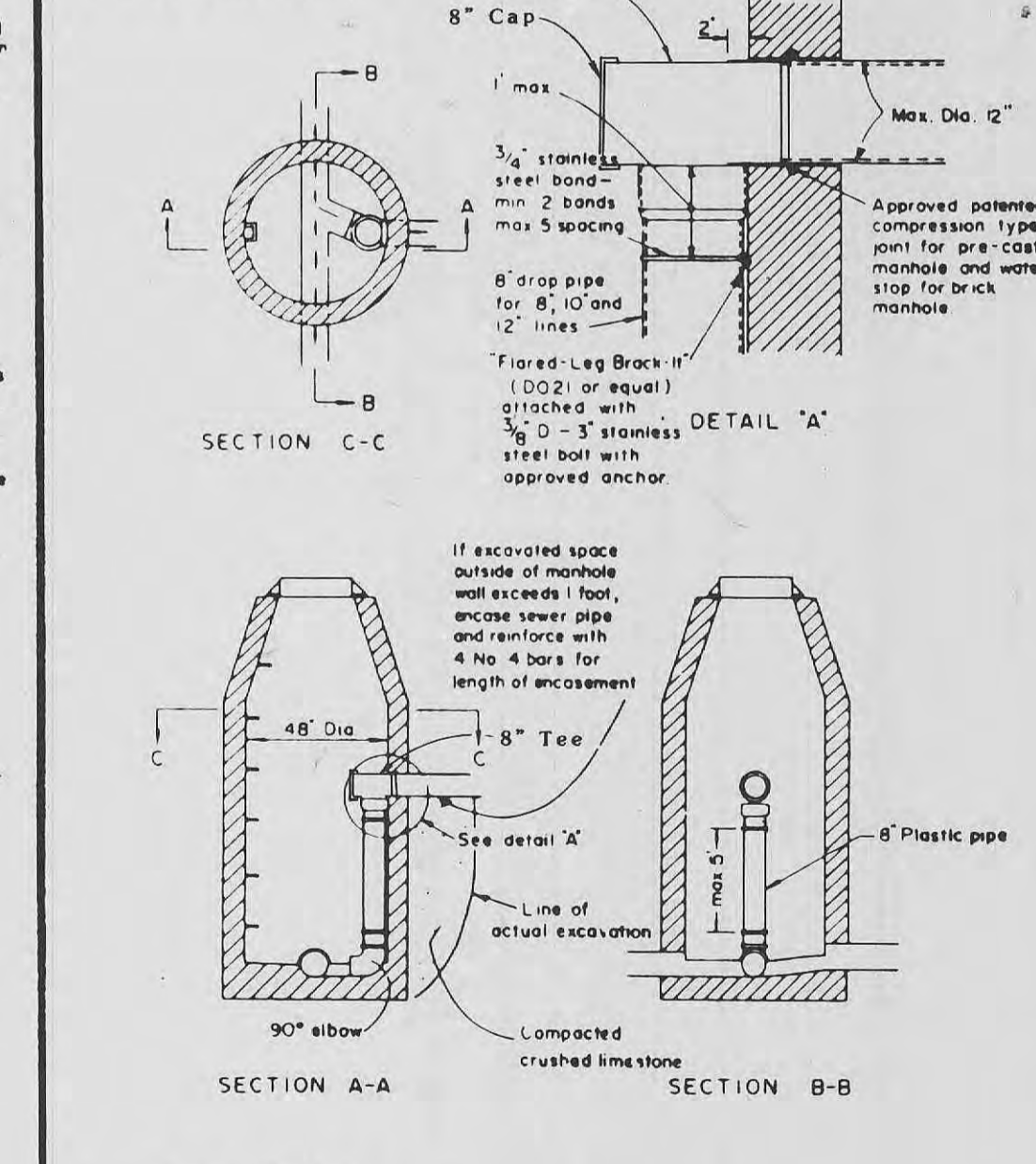
DETAIL 12



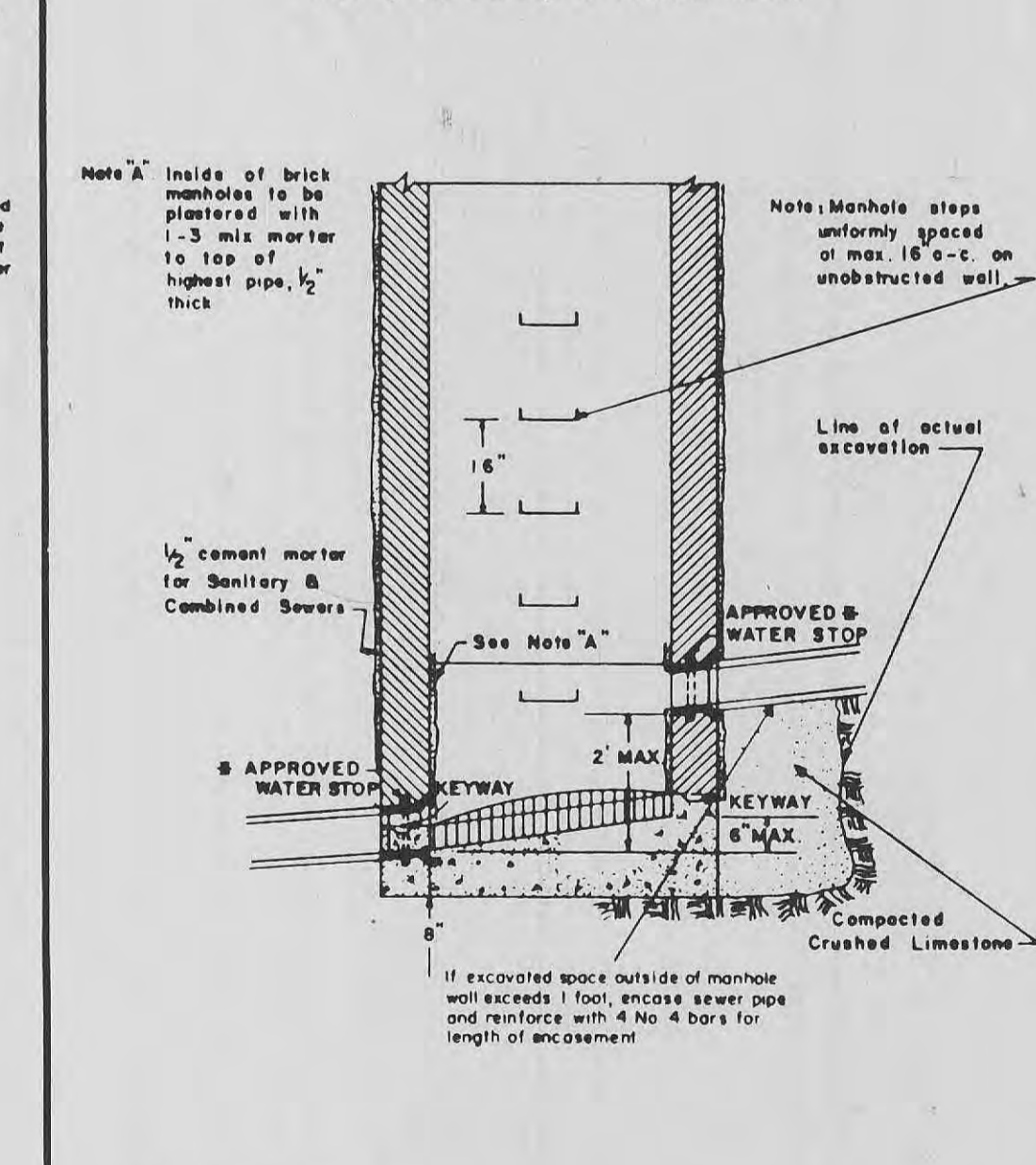
DETAIL 13



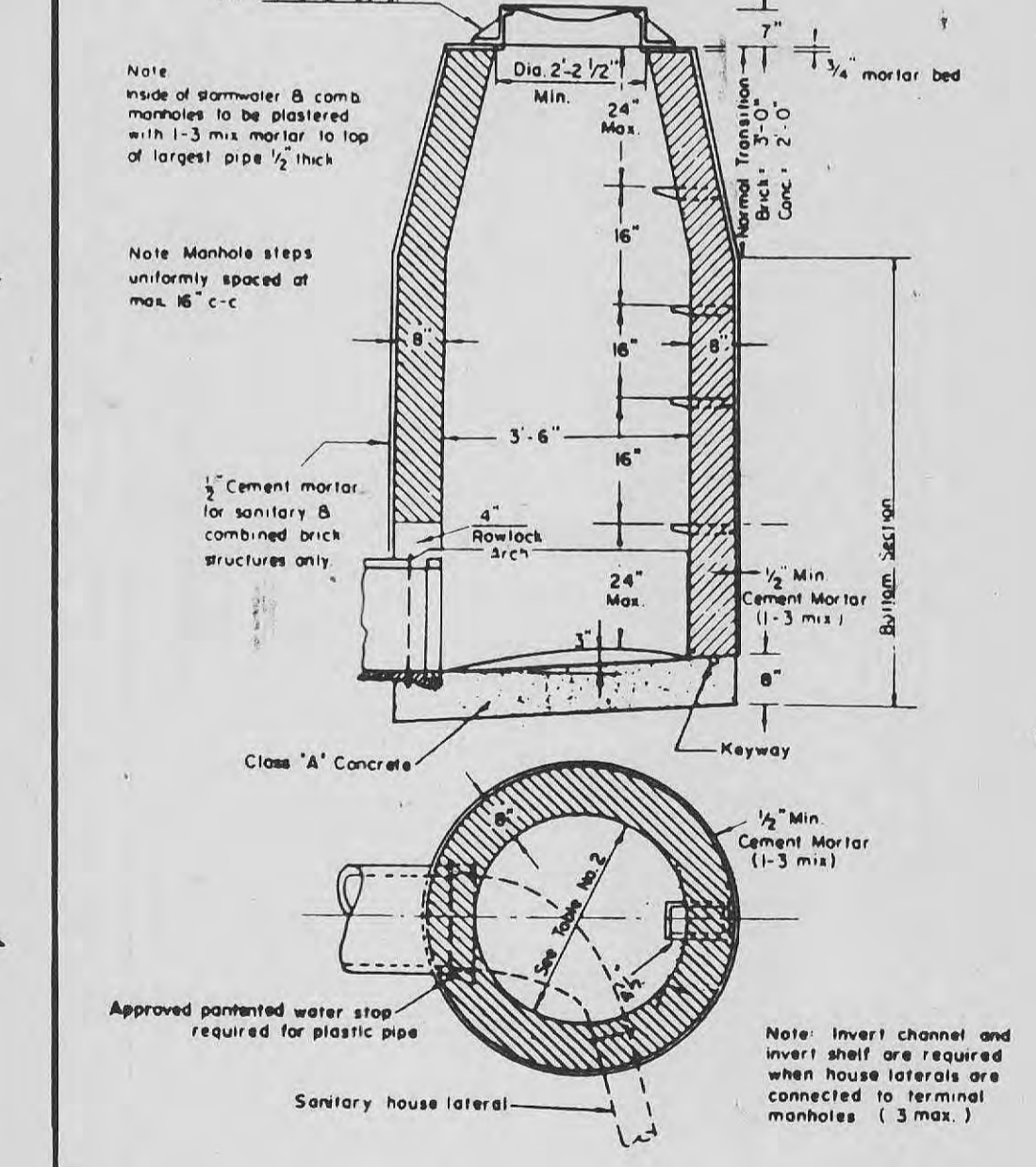
DETAIL 14



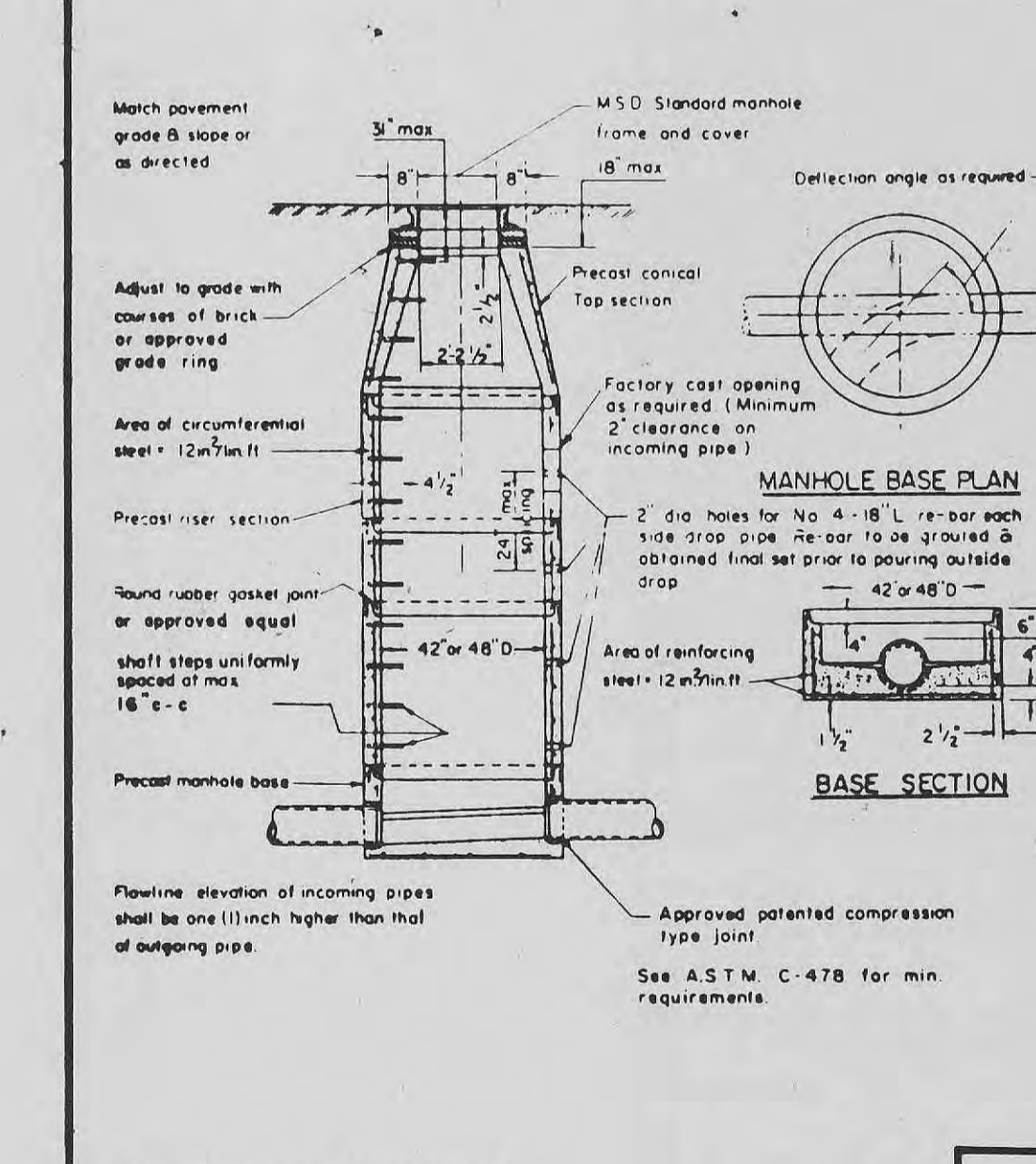
DETAIL 15



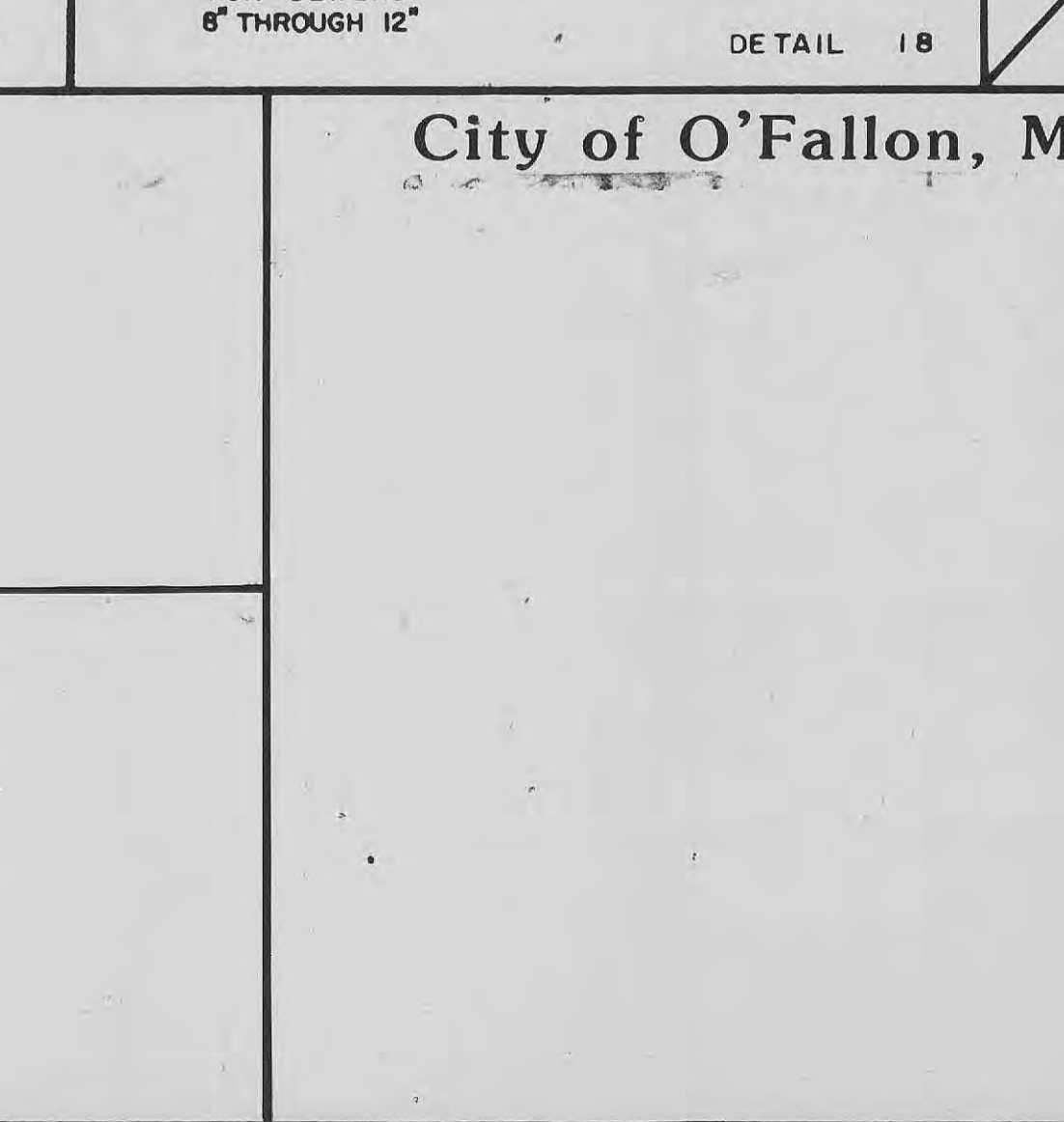
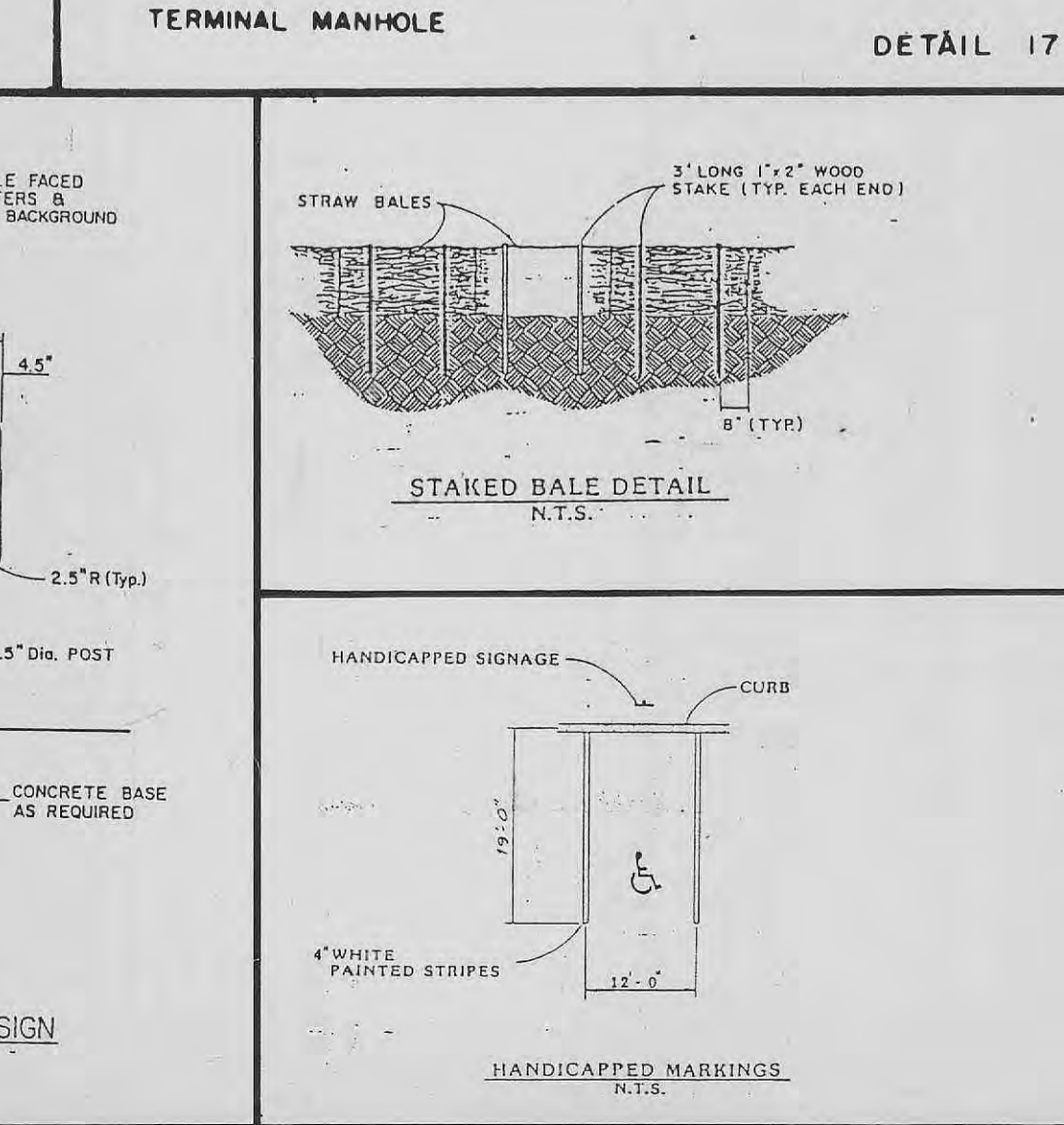
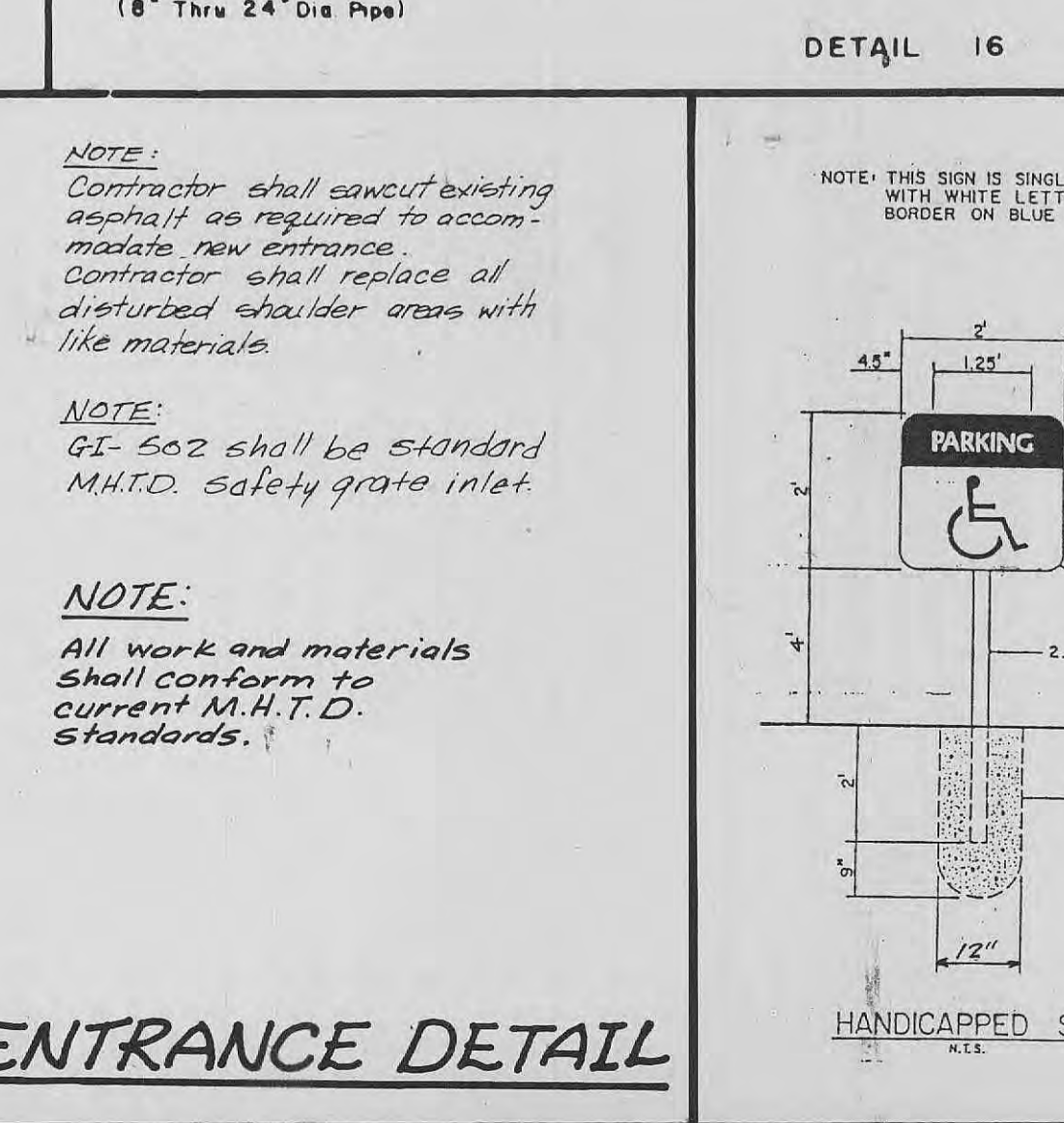
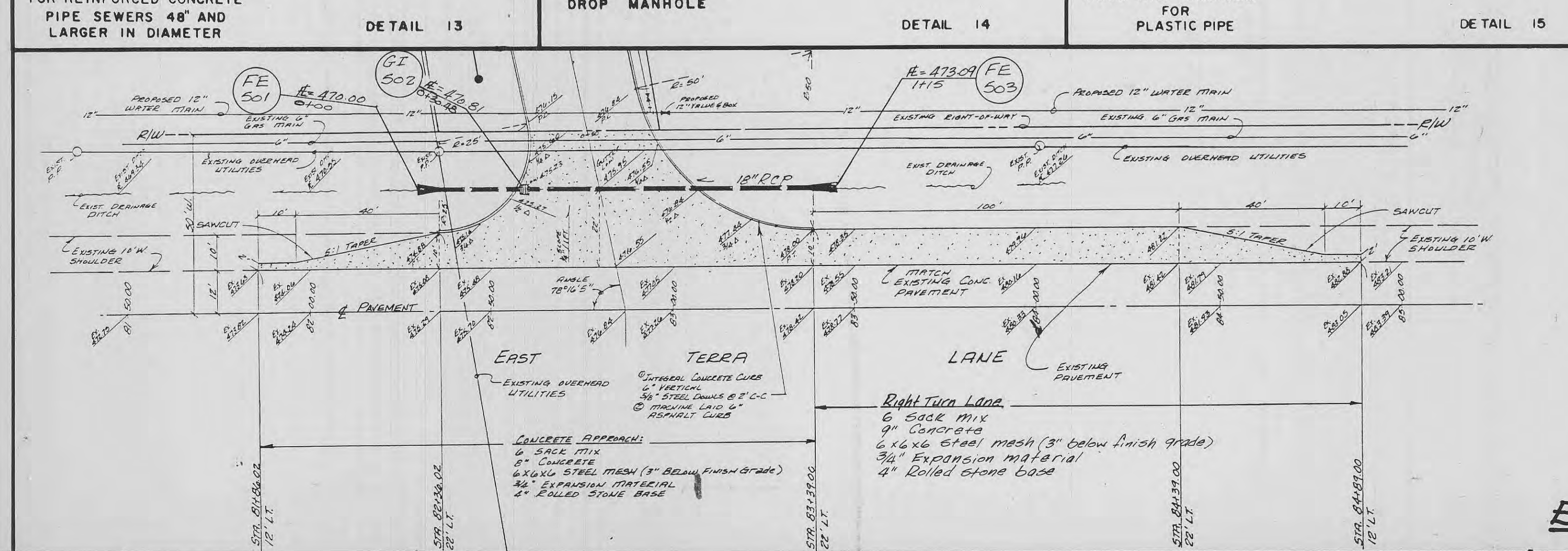
DETAIL 16



DETAIL 17



DETAIL 18



ENTRANCE DETAIL

CONSTRUCTION DETAILS

Section of Manhole	Dimension
Top	Upper 2'-2 1/2" Dia.
Transition	Lower 3'-6" Dia.
Bottom Section	8" thru 24" Dia. Pipe 3'-6" Dia.
Bottom Section	27" thru 36" Dia. Pipe 3'-6" Square

PREPARED BY:
PICKETT RAY & SILVER
Civil Engineers
323 Mid-Rivers Mall Dr.
St. Peters, MO 65276
401-271-2781

WAFZ Distribution Center
OWNER: Trammell Crow Company
CONTRACTOR: R.W. Murray Co.

Revision Dates
1/24/90
1/10/90
10/30/89
Issue Date
10/19/89
Sheet Title
CONSTRUCTION DETAILS
RWM Job Number
570
Sheet Number
C-5

City of O'Fallon, Mo.