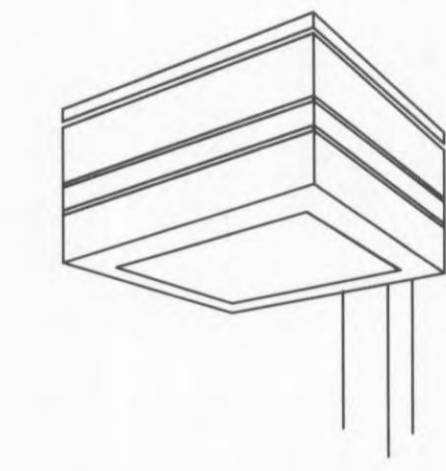
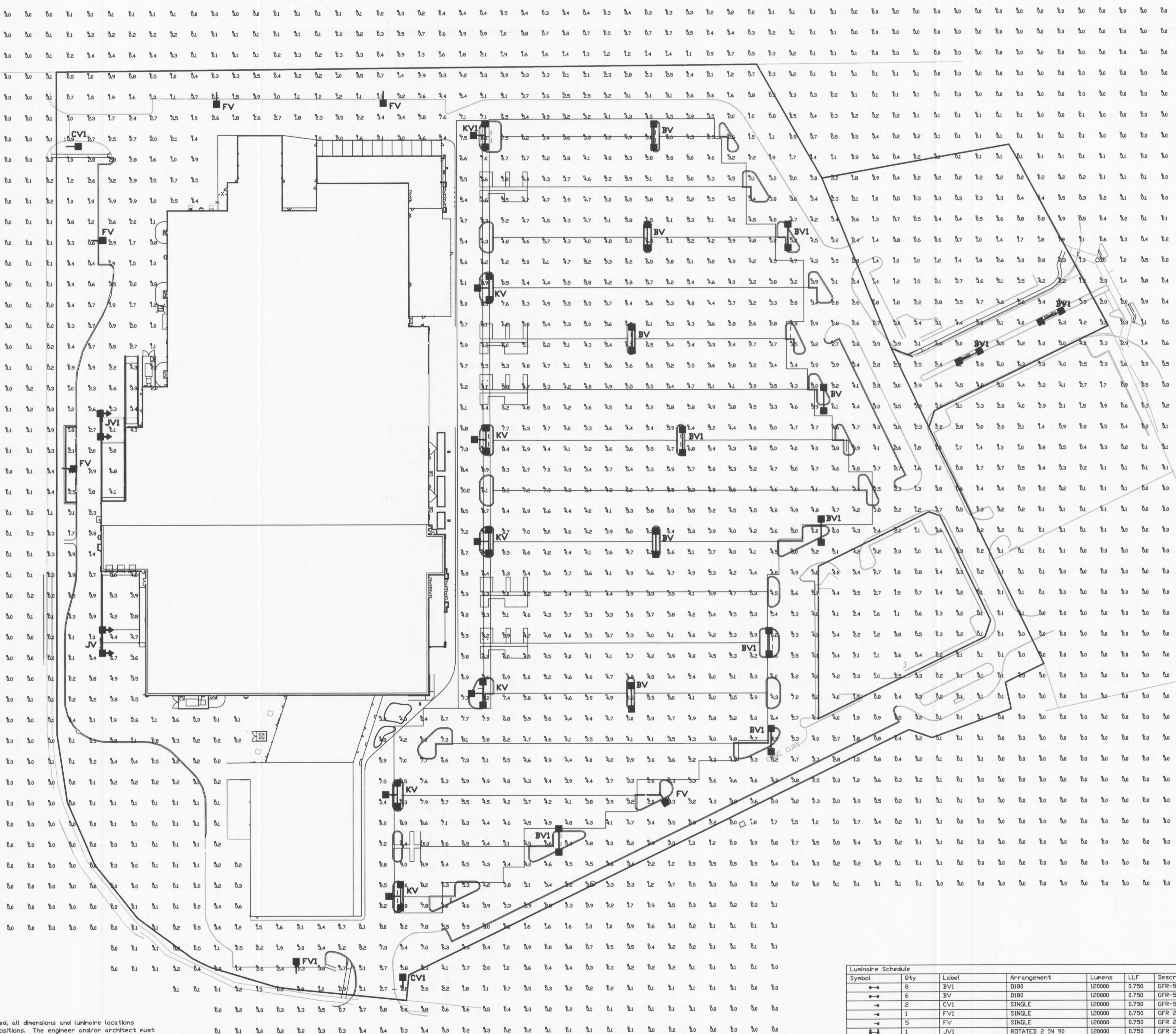


Statistical Area Summary					
Label	Avg	Max	Min	Avg/Min	Max/Min
FRONT DRIVE SUMMARY	6.56	10.2	4.1	1.60	2.49
MAIN LOT SUMMARY	5.07	10.0	2.3	2.20	4.35



# GREENBRIAR FLAT LENS



Luminaire Schedule							
Symbol	Qty	Label	Arrangement	Lumens	LLF	Description	Total Watts
→→	8	BV1	DIBO	120000	0.750	GFR-540-1000-PSMV-F EXISTING POLE	2160
→	6	BV	DIBO	120000	0.750	GFR-540-1000-PSMV-F 39' POLE 3' BASE	2160
→	2	CV1	SINGLE	120000	0.750	GFR-540-1000-PSMV-F 39' POLE 3' BASE	1080
→	1	FV1	SINGLE	120000	0.750	GFR 2 1000 PSMH F 3HSS EXISTING POLE	1080
→	5	FV	SINGLE	120000	0.750	GFR 2 1000 PSMH F 3HSS 39' POLE 3' BASE	1080
→	1	JV1	ROTATED 2 IN 90	120000	0.750	GFR 2 1000 PSMH F 3HSS EXISTING POLE	2160
→	1	JV	ROTATED 2 IN 90	120000	0.750	GFR 2 1000 PSMH F 3HSS 39' POLE 3' BASE	2160
→	1	KV1	3 @ 90 DEGREES	120000	0.750	GFR-540-1000-PSMV-F EXISTING POLE	3240
→	6	KV	3 @ 90 DEGREES	120000	0.750	GFR-540-1000-PSMV-F 39' POLE 3' BASE	3240

Based on the information provided, all dimensions and luminaire locations shown represent recommended positions. The engineer and/or architect must determine applicability of the layout to existing or future field conditions.

This lighting pattern represents illumination levels calculated from laboratory data taken under controlled conditions utilizing current industry standard lamp ratings in accordance with Illuminating Engineering Society approved methods. Actual performance of any manufacturer's luminaire may vary due to variation in electrical voltage, tolerance in lamps and other variable field conditions.

Rev.	Date	By
11	6/13/08	VLM
10	6/11/08	S.W.W
9	6/2/08	VLM
8	5/30/08	S.W.W
7	2/25/08	S.W.W
6	2/21/08	VLM
4	5/31/07	S.W.W
3	5/25/07	S.W.W
2	5/24/07	S.W.W

Revisions

VAL-WART # 2616

LIGHTING PROPOSAL FOR

DTALLON, MD.

SCALE: 1"=60'

DATE: 6/27/06

BY: S.W.W

LO-82271-11

SHEET 1 OF 1

Total Watts = 65880