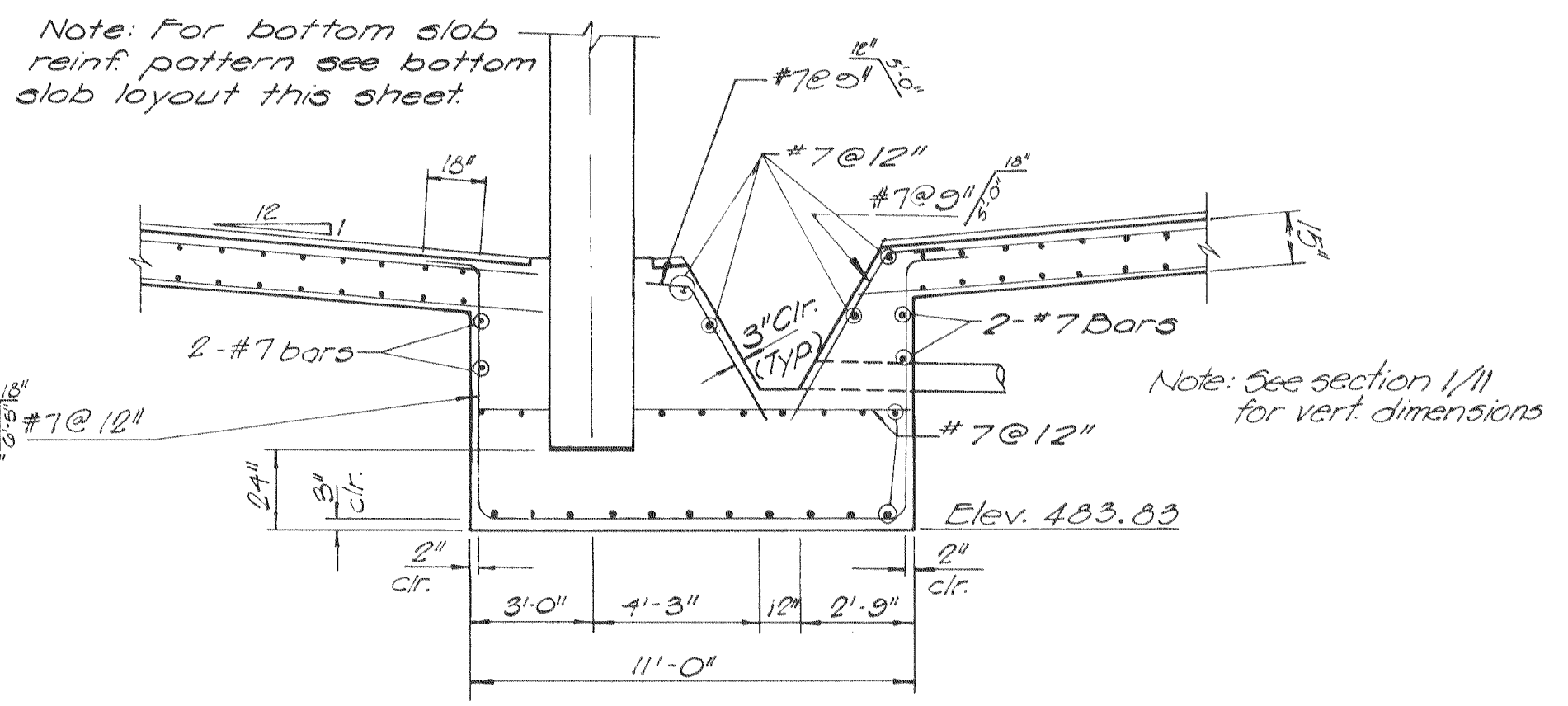
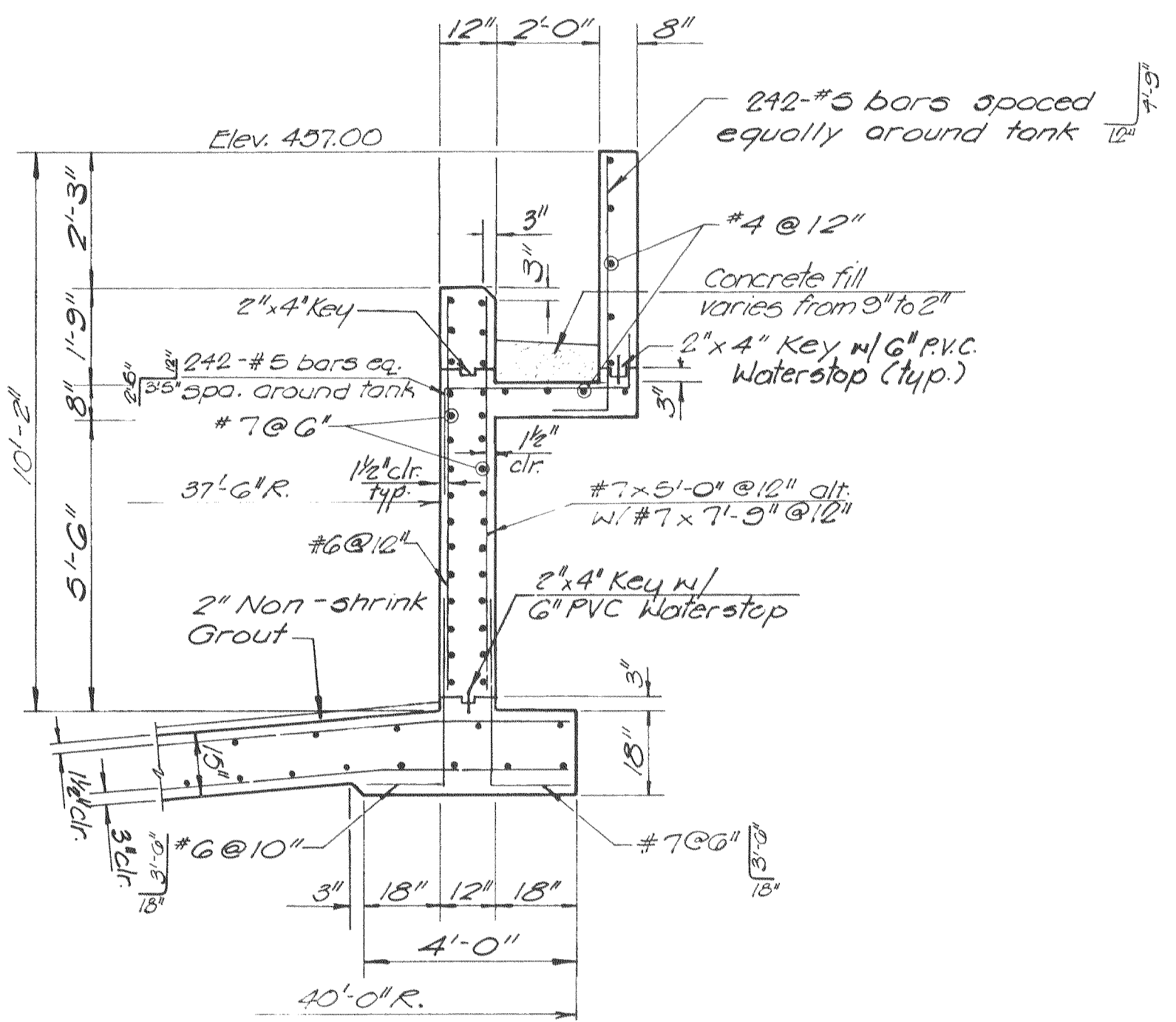


PRIMARY CLARIFIER - BOTTOM SLAB LAYOUT

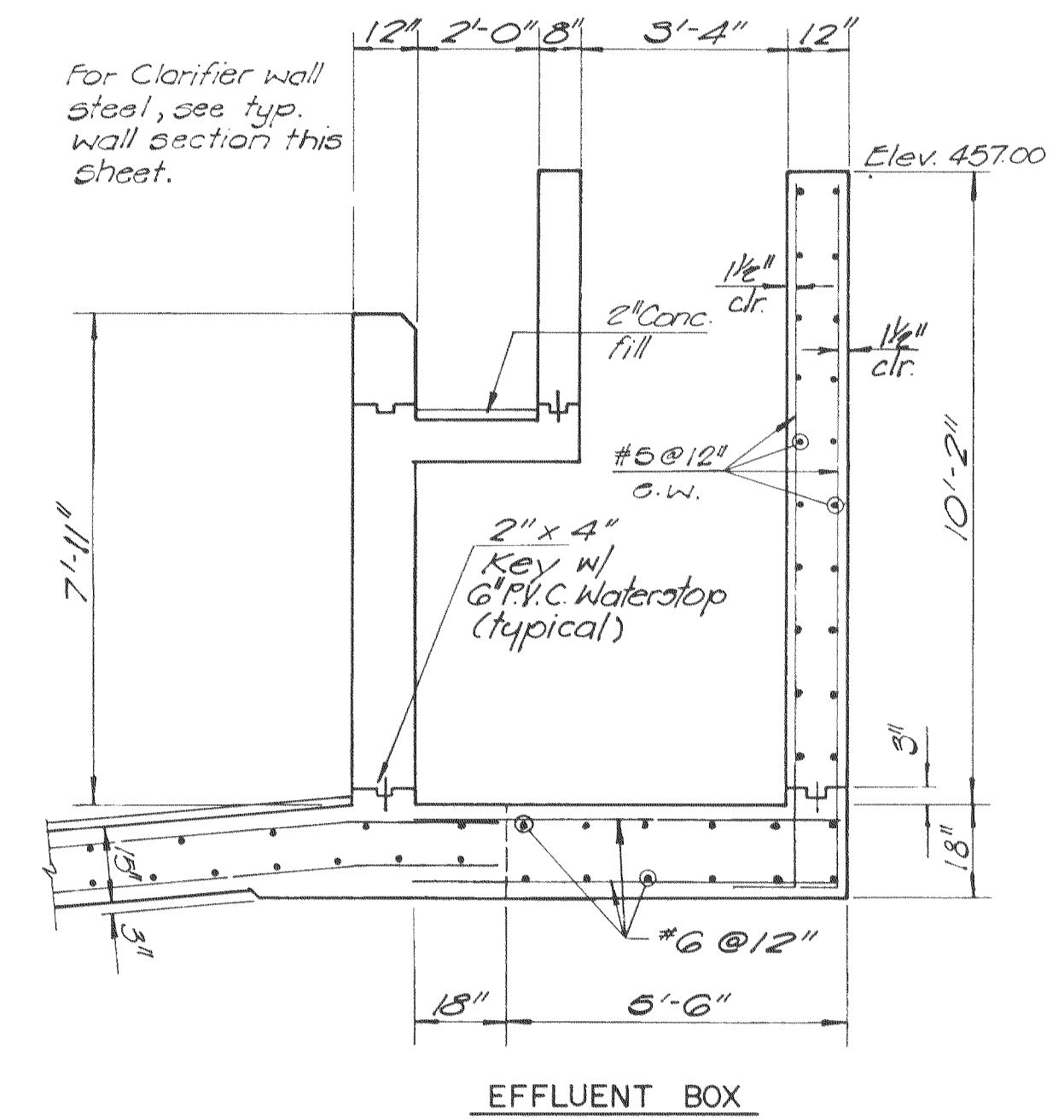
Scale: 3/32" = 1'-0"
(Primary Clarifier No. 1 shown Primary Clarifier No. 2 similar)



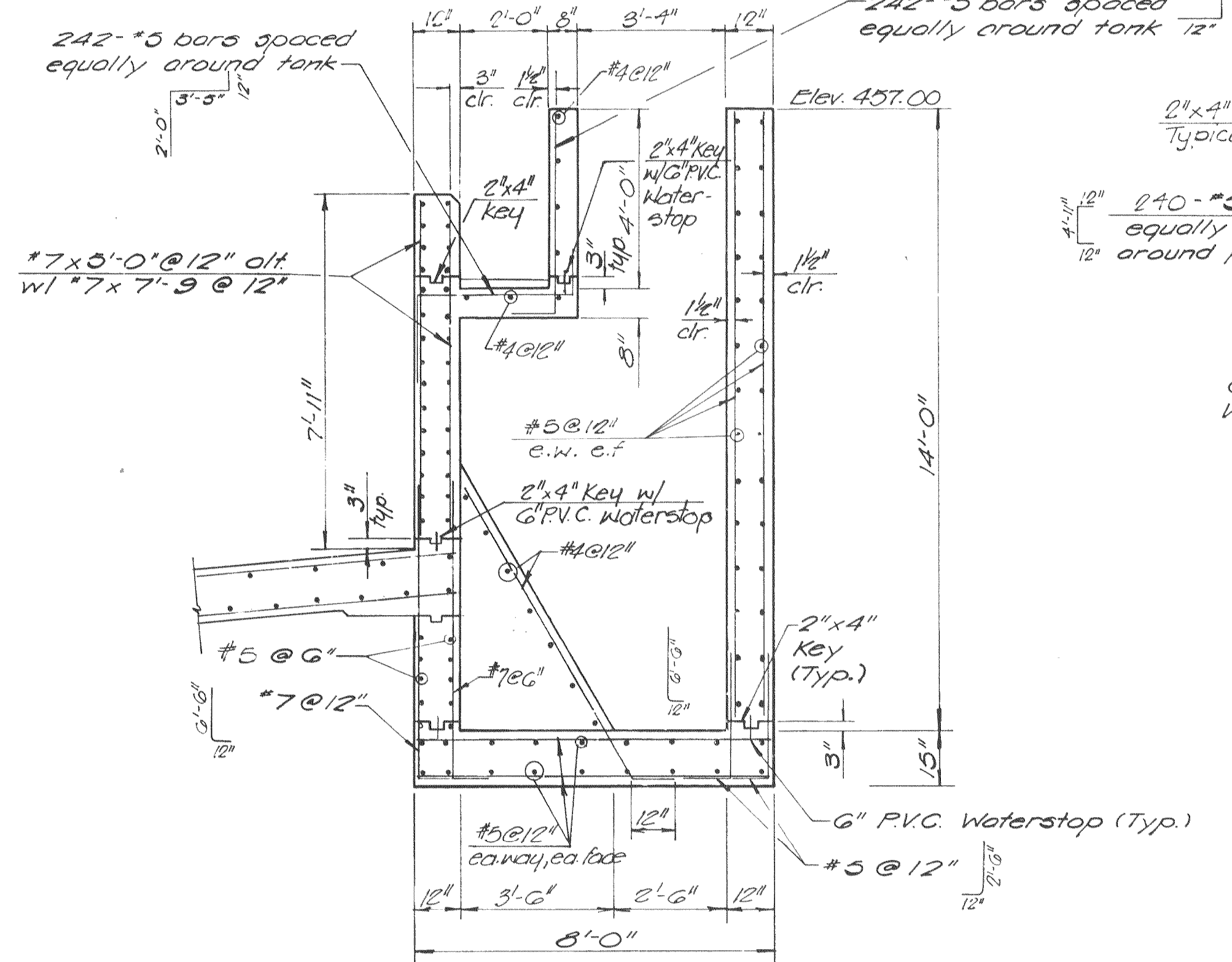
SECTION 3
Scale: 1/4" = 1'-0"



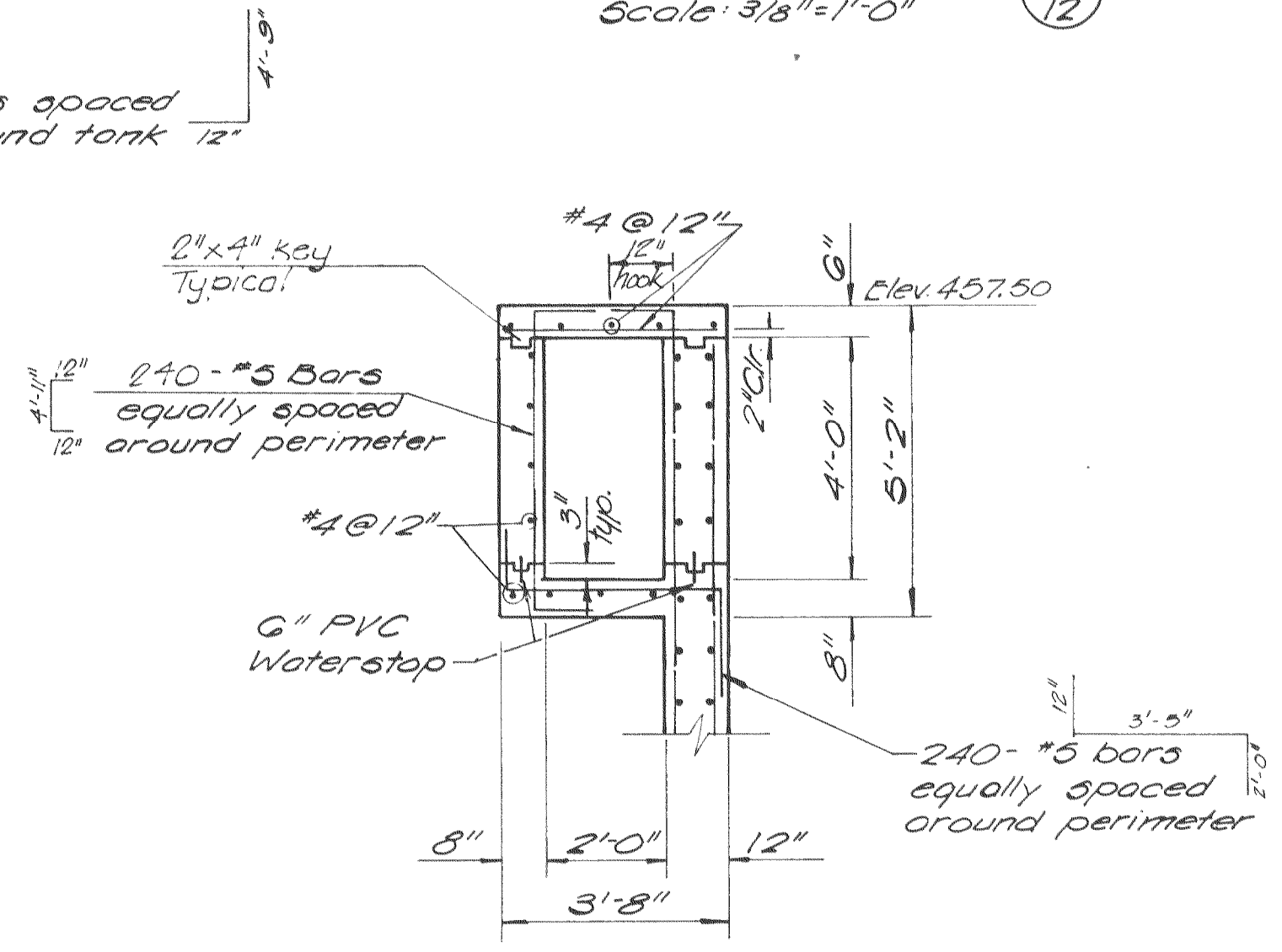
TYPICAL WALL SECTION 1
Scale: 3/8" = 1'-0"



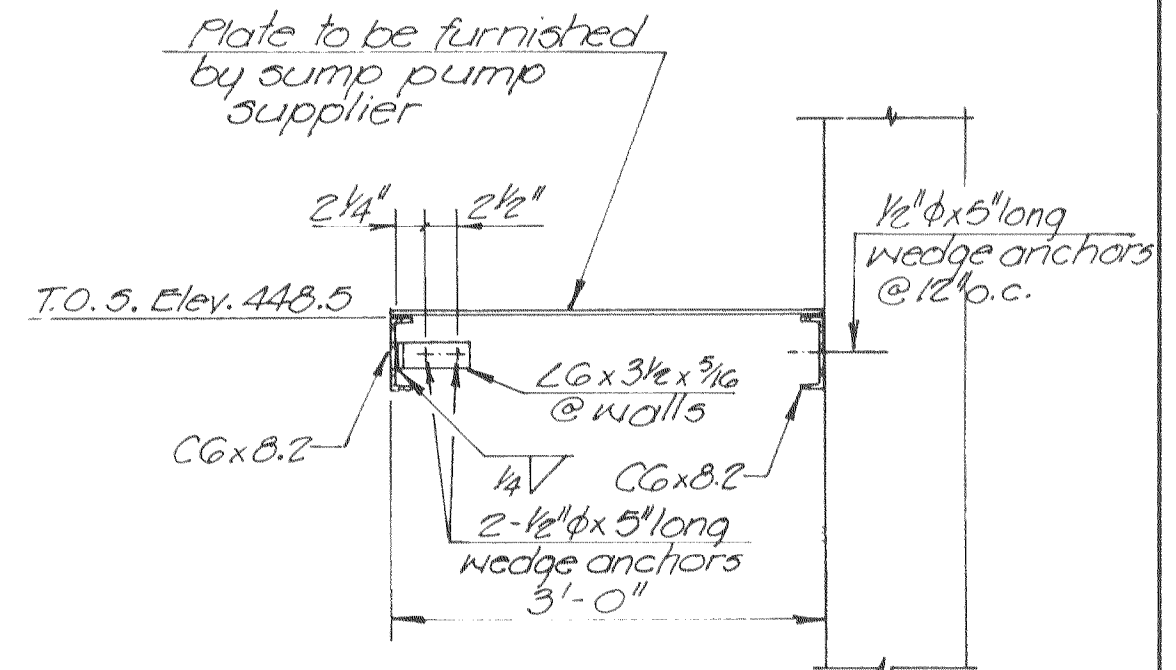
SECTION 2
Scale: 3/8" = 1'-0"



SECTION 4
Scale: 3/8" = 1'-0"



SECTION AT BRIDGE 5
Scale: 3/8" = 1'-0"
(Re: sht. 11)
Conc. steps not shown. Per reinforcement see sht. 66.



PUMP SUPPORT DETAIL 6
Scale: 3/4" = 1'-0" (Re: sht. 11)

EPA PROJECT NO. C291090 Revised 3/9/82 C.Kaya

GBA
GEORGE BUTLER ASSOCIATES
CONSULTING ENGINEERS/ARCHITECTS
LANDSCAPE ARCHITECTS/PLANNERS

OFFICES:
SUITE 305-A FAIRWAY OFFICE CENTER
4210 JOHNSON DRIVE / SHAWNEE MISSION / KANSAS 66205
1100 CITY CENTER SQUARE
1100 MAIN / KANSAS CITY / MISSOURI 64105
SUITE 134 LAKESIDE PLAZA II
6700 CORPORATE DRIVE / KANSAS CITY / MISSOURI 64120

WASTEWATER TREATMENT PLANT EXPANSION
PRIMARY CLARIFIER & STRUCTURAL PLANS & SECTIONS
CITY OF O'FALLON, MISSOURI

DESIGNED BY J.L.S. DRAWN BY SPW CHECKED BY M.L.S.

JOB NO 79-2065
DATE July 30, 1981
SCALE As shown
SHEET NO 12 of 88