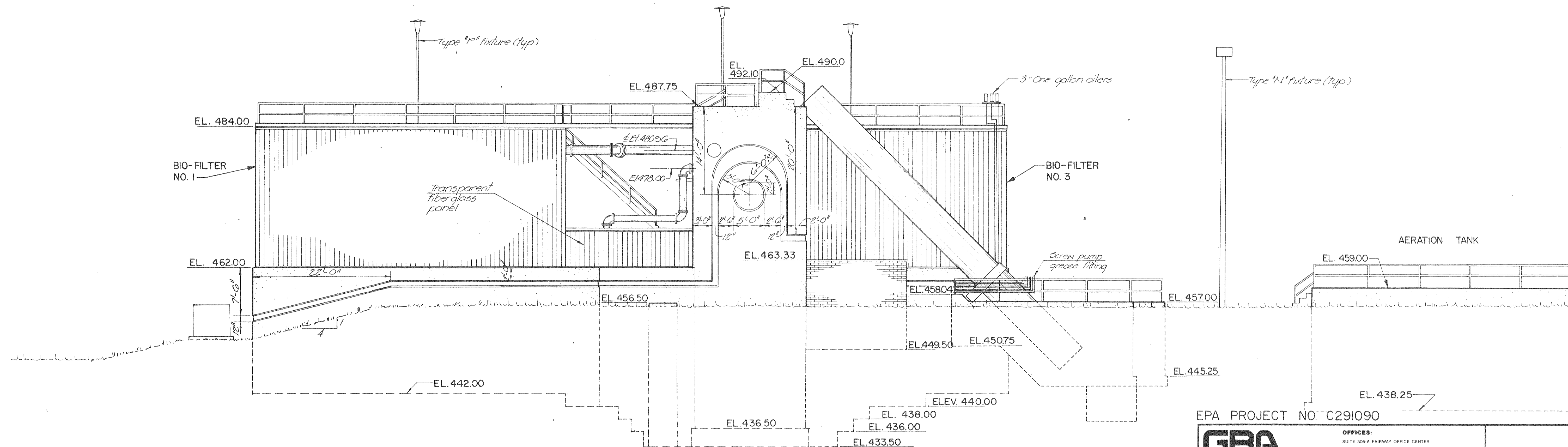


EAST ELEVATION BIO-FILTER COMPLEX
Scale: 1/8" = 1'-0"



WEST ELEVATION BIO-FILTER COMPLEX
Scale: 1/8" = 1'-0"

EPA PROJECT NO. C291090

GBA GEORGE BUTLER ASSOCIATES CONSULTING ENGINEERS/ARCHITECTS LANDSCAPE ARCHITECTS/PLANNERS	OFFICES: SUITE 305-A FAIRWAY OFFICE CENTER 4210 JOHNSON DRIVE / SHAWNEE MISSION / KANSAS 66205 1100 CITY CENTER SQUARE 1100 MAIN / KANSAS CITY / MISSOURI 64105 SUITE 134 LAKESIDE PLAZA II 6700 CORPORATE DRIVE / KANSAS CITY / MISSOURI 64120
	WASTEWATER TREATMENT PLANT EXPANSION BIO-FILTER COMPLEX EAST & WEST ELEVATIONS CITY OF O'FALLON, MISSOURI

DESIGNED BY: W.C.C.	DRAWN BY: J.E.B./S.P.W.	CHECKED BY: W.A.C.
---------------------	-------------------------	--------------------

JOB NO. 79-2065
DATE July 30, 1981
SCALE 1/8" = 1'-0"
SHEET NO. 14 of 88