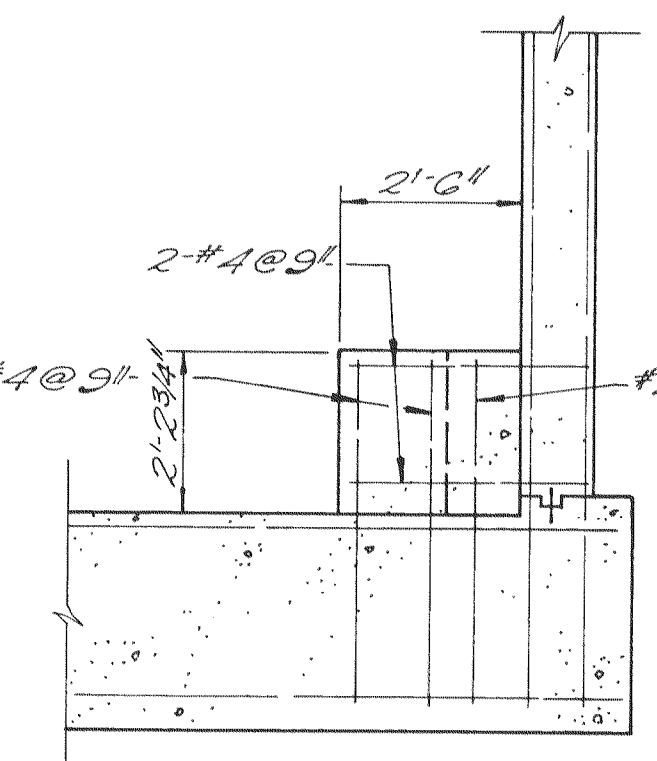
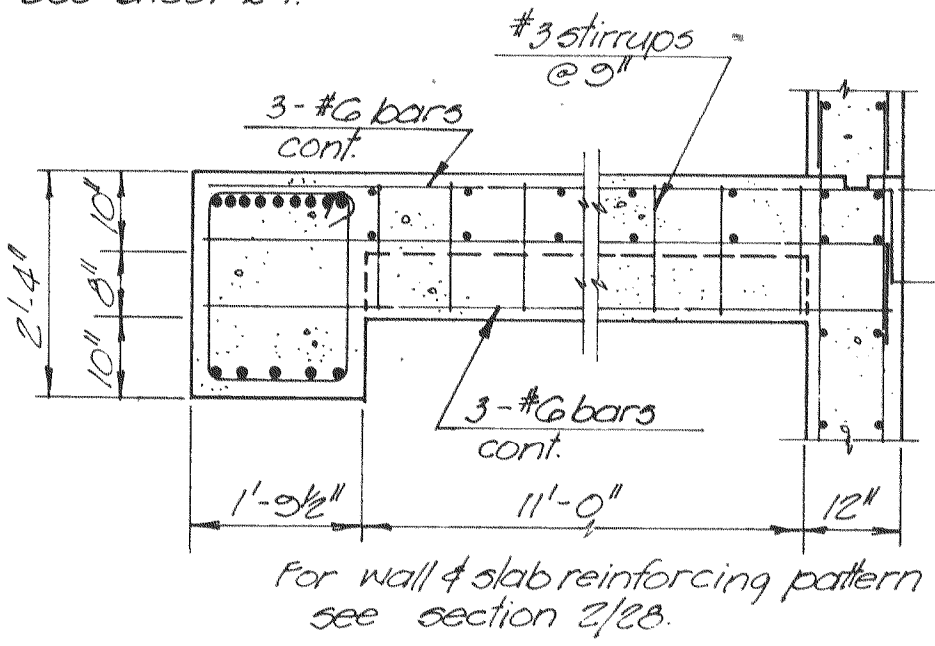


**SECTION 1**  
Scale: 3/8" = 1'-0" (Re. sh. 20 & 27)

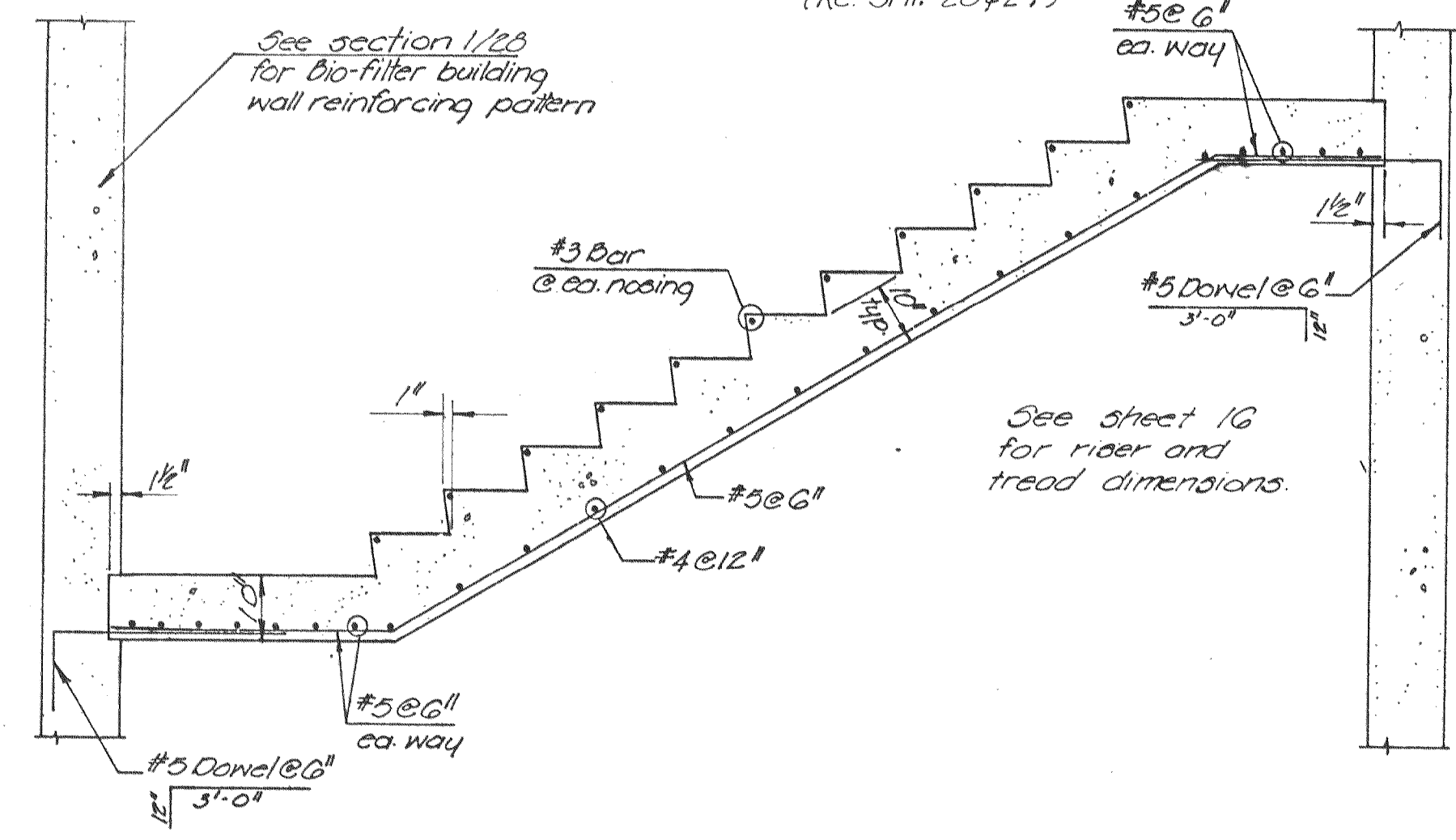
**SECTION 2**  
Scale: 3/8" = 1'-0" (Re. sh. 20 & 27)



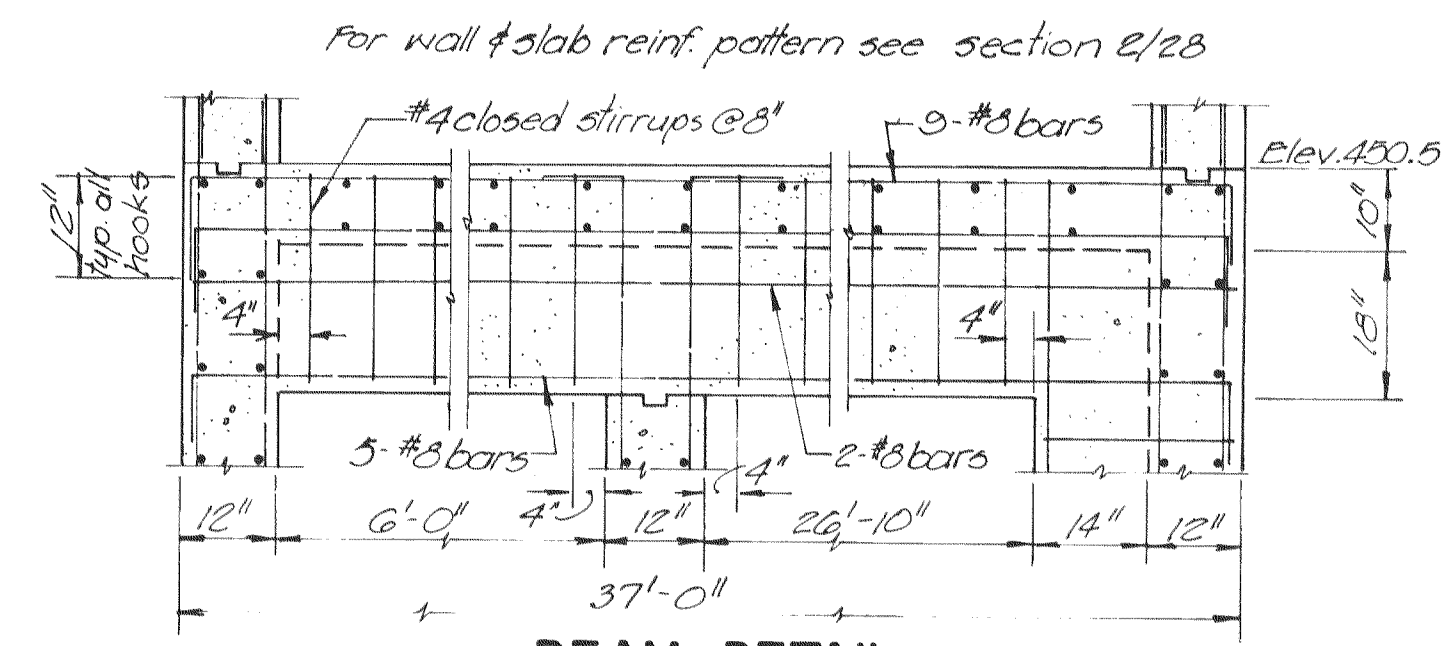
**CONCRETE ENCASMENT & PIPE SUPPORT**  
Scale: 3/8" = 1'-0"



**BEAM DETAIL 4**  
Scale: 1/2" = 1'-0"



**TYPICAL BIO-FILTER BUILDING STAIRS**  
Scale: 1/2" = 1'-0"



**BEAM DETAIL 5**  
Scale: 1/2" = 1'-0" (Re. 4/28)

EPA PROJECT NO. C291090  
**GBA**  
 GEORGE BUTLER ASSOCIATES  
 CONSULTING ENGINEERS / ARCHITECTS  
 LANDSCAPE ARCHITECTS / PLANNERS  
 OFFICES:  
 SUITE 300-A FAIRWAY OFFICE CENTER  
 4270 JORDISON DRIVE / SHAWNEE MISSION / KANSAS 66205  
 1100 CITY CENTER SQUARE  
 1100 MAIN / KANSAS CITY / MISSOURI 64105  
 SUITE 134 LAKESIDE PLAZA II  
 6700 CORPORATE DRIVE / KANSAS CITY / MISSOURI 64120  
**WASTEWATER TREATMENT  
 PLANT EXPANSION  
 BIO-FILTER BUILDING  
 STRUCTURAL SECTIONS**  
 CITY OF O'FALLON, MISSOURI  
 JOB NO. 79-2065  
 DATE July 30, 1981  
 SCALE As Noted  
 SHEET NO. 28 OF 88  
 DESIGNED BY J.L.S. DRAWN BY W.Y. CHECKED BY M.L.S.  
 Revised 3/9/82 C.Kaya