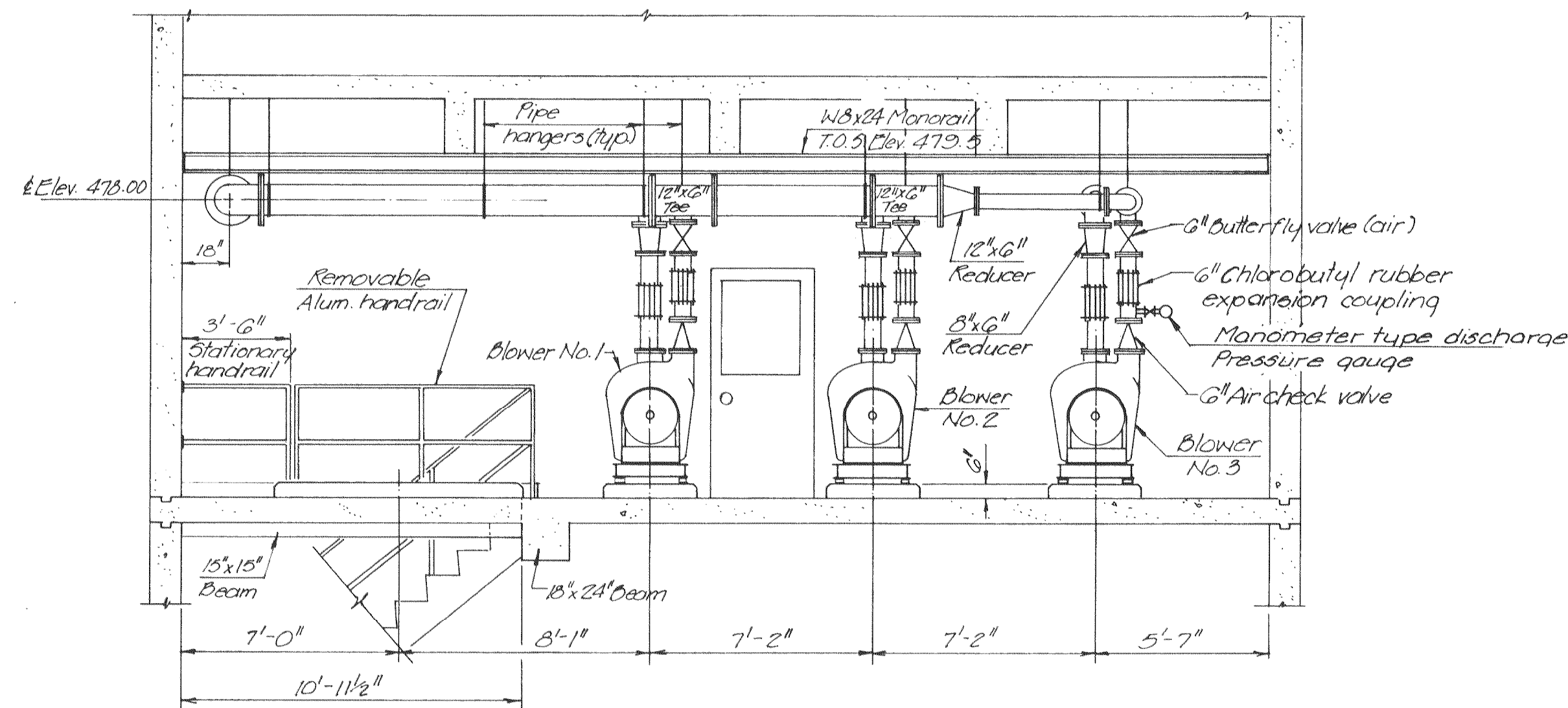
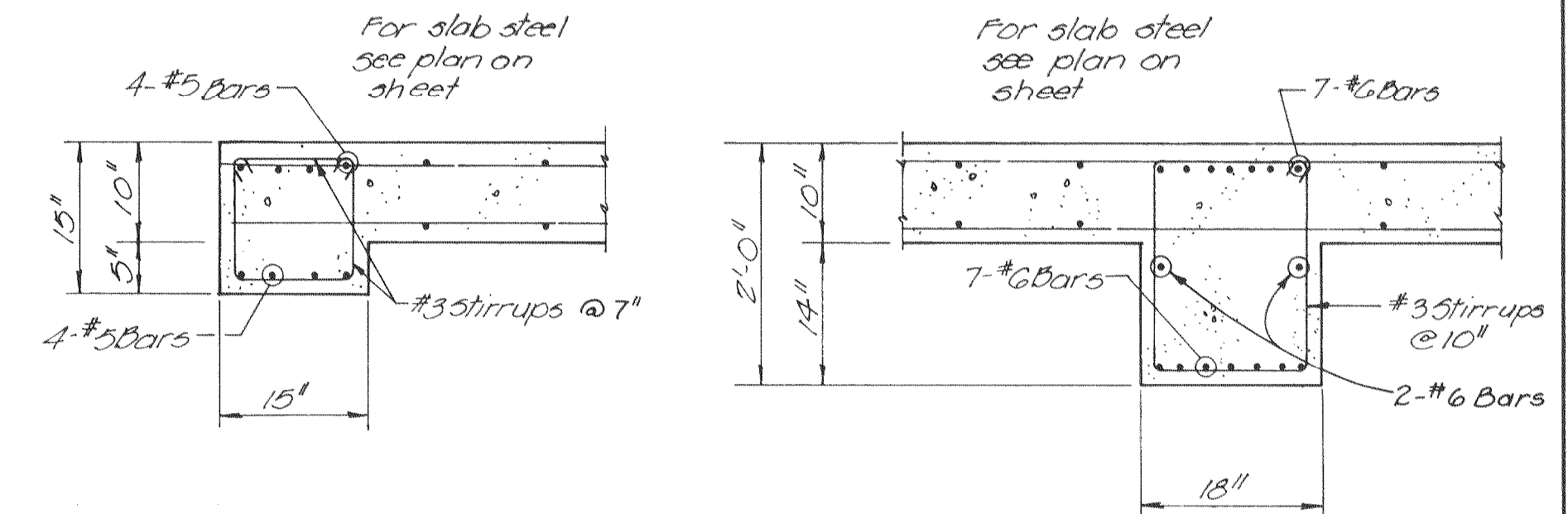


SECTION 1
Scale: 1/4"=1'-0"
(Re: sht 27)

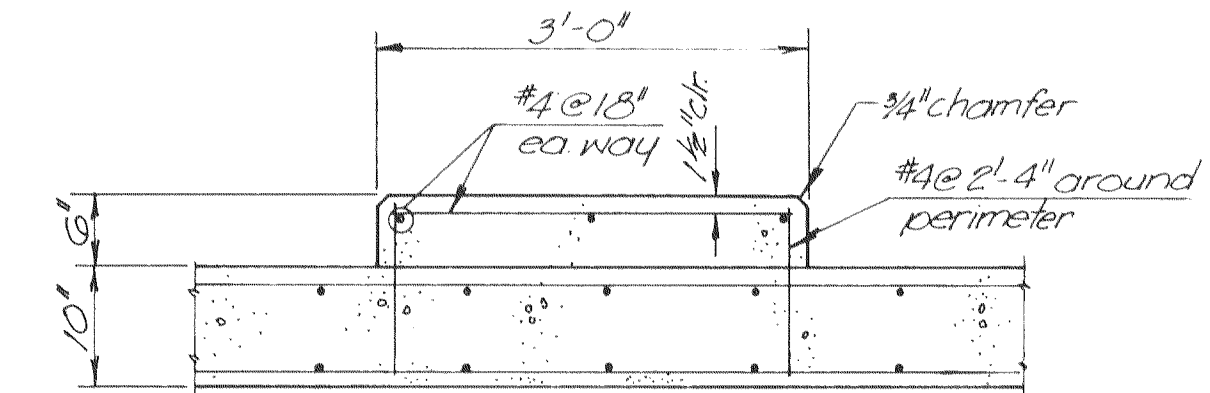


SECTION 2
Scale: 1/4"=1'-0"
(Re: sht 27)

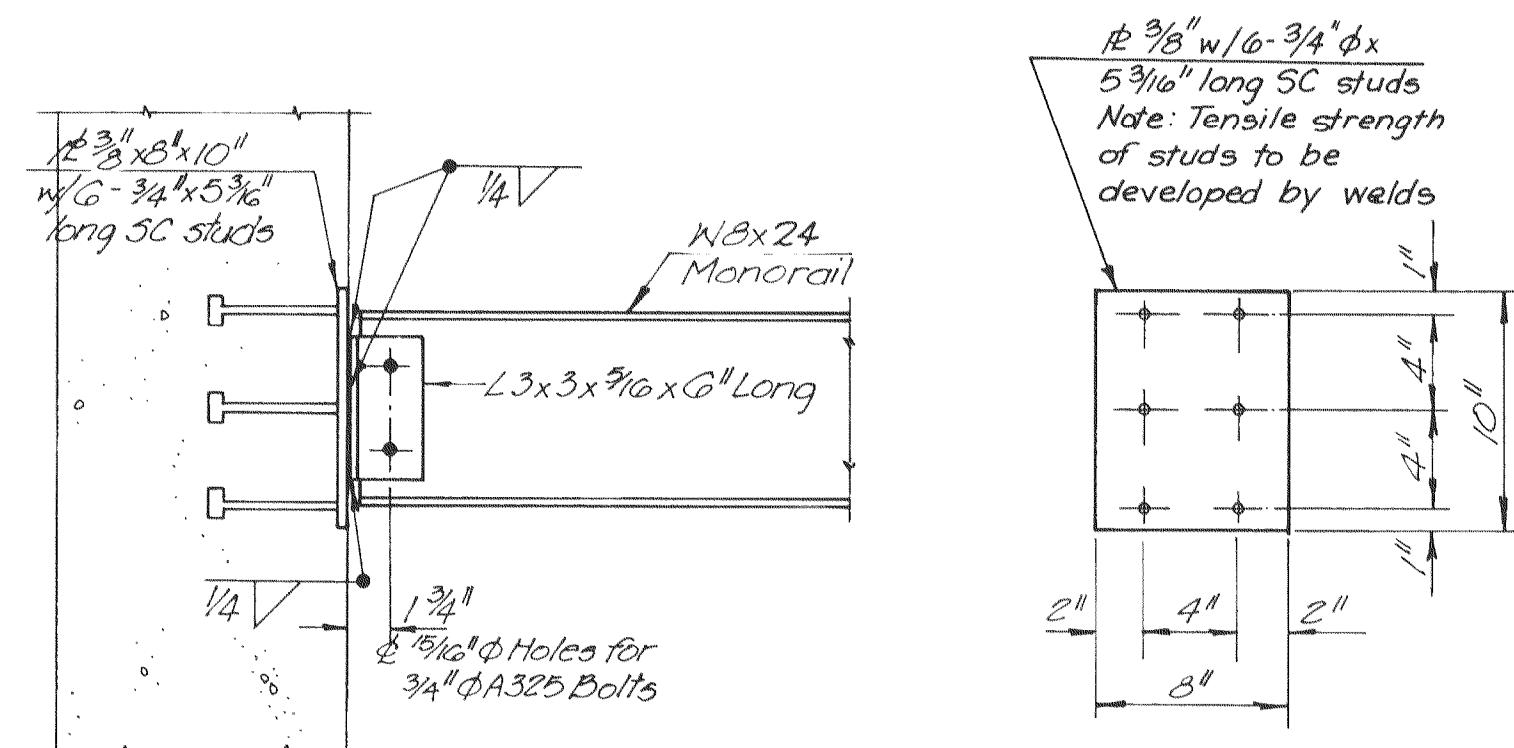


SECTION 3
Scale: 3/4"=1'-0"
(Re: sht 27 & 29)

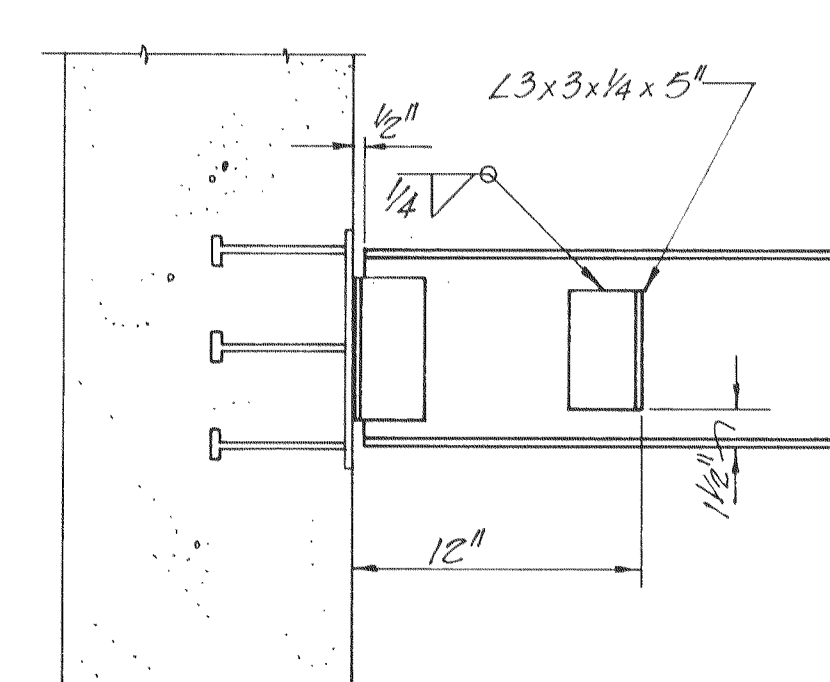
SECTION 4
Scale: 3/4"=1'-0"
(Re: sht 27 & 29)



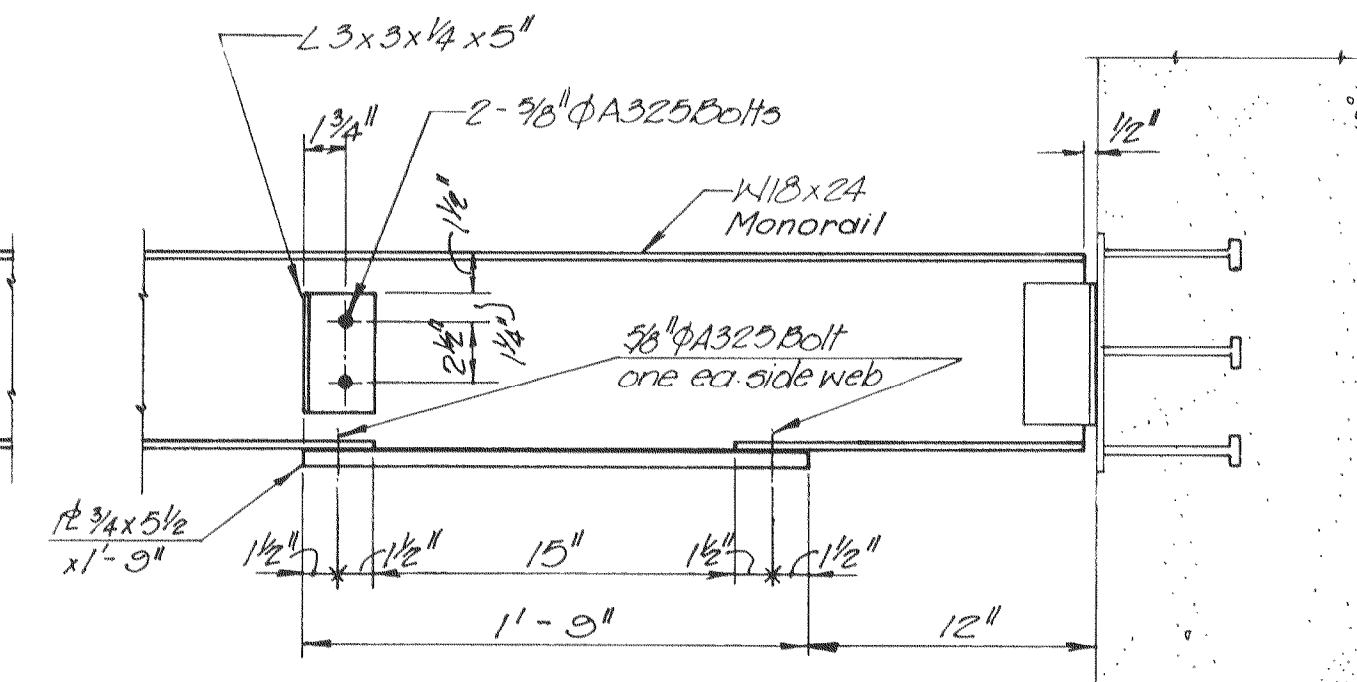
SECTION 5
Scale: 3/4"=1'-0"
(Re: sht 27)



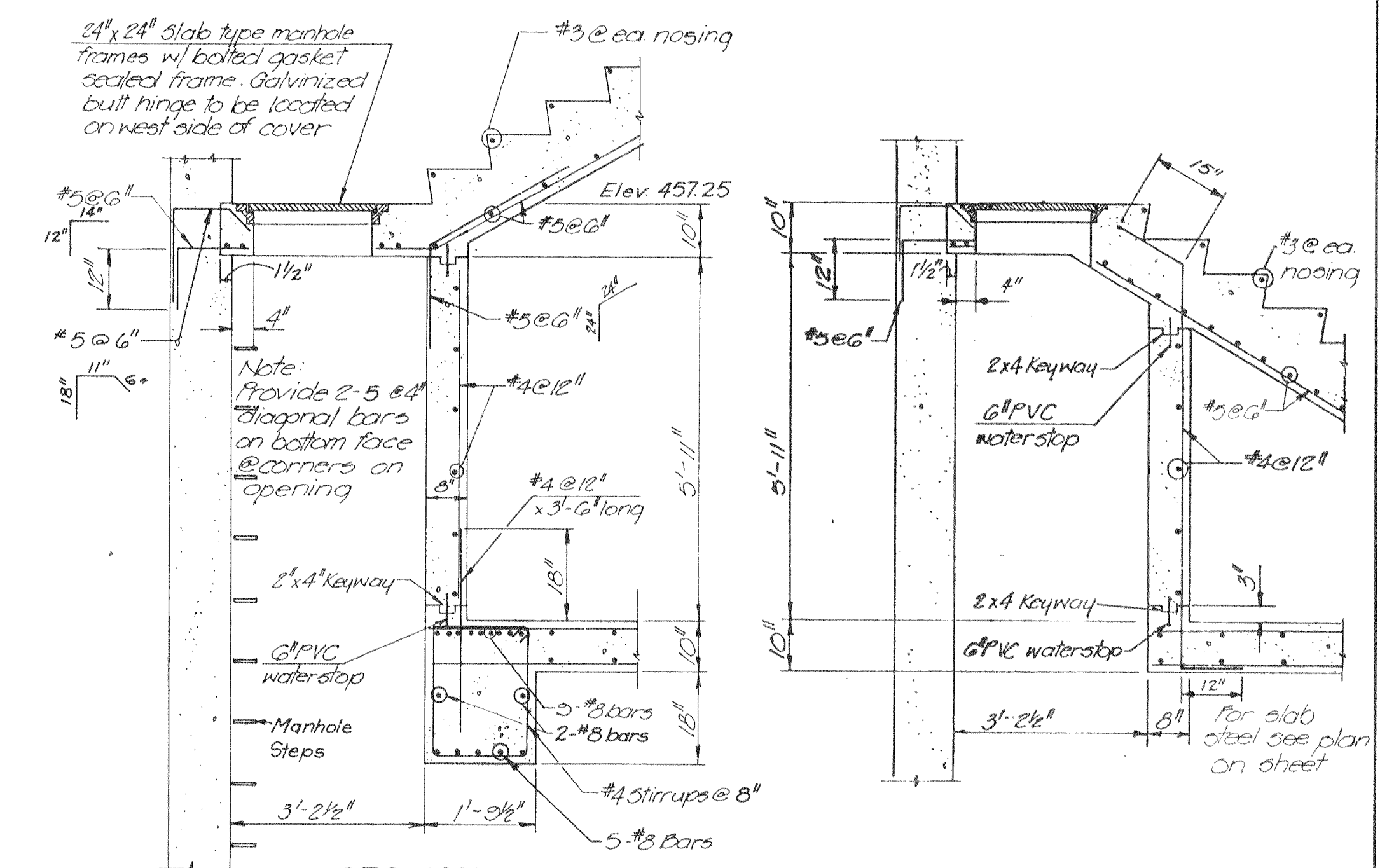
EMBEDDED PLATE DETAIL
Scale: 1/2"=1'-0"
(Re: sht 27)



SECTION 6
Scale: 1/2"=1'-0"
(Re: sht 27)

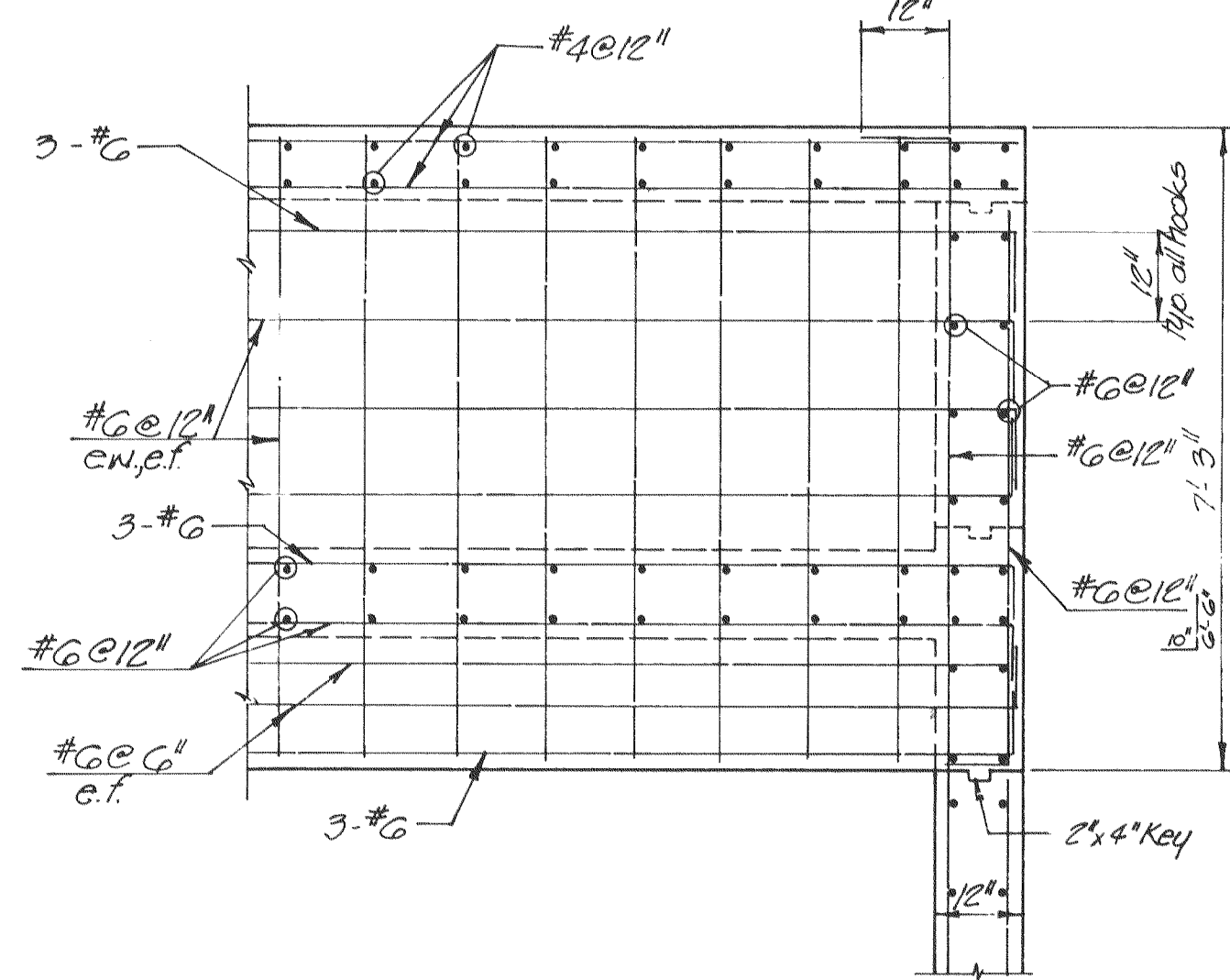


SECTION 7
Scale: 1/2"=1'-0"
(Re: sht 27)



SECTION 8
Scale: 1/2"=1'-0"
(Re: sht 19)

SECTION 9
Scale: 1/2"=1'-0"
(Re: sht 19)



SECTION 10
Scale: 1/2"=1'-0"
(Re: sht 27)

HEADER BOX DETAIL
Scale: 1/2"=1'-0"

EPA PROJECT NO. C291090

GBA
GEORGE BUTLER ASSOCIATES
CONSULTING ENGINEERS/ARCHITECTS
LANDSCAPE ARCHITECTS/PLANNERS

OFFICES:
SUITE 305-A FAIRWAY OFFICE CENTER
4210 JOHNSON DRIVE / SHAWNEE MISSION / KANSAS 66205
1100 CITY CENTER SQUARE
1100 MAIN / KANSAS CITY / MISSOURI 64105
SUITE 134 LAKESIDE PLAZA II
6700 CORPORATE DRIVE / KANSAS CITY / MISSOURI 64120

WASTEWATER TREATMENT
PLANT EXPANSION
BIO-FILTER COMPLEX
SECTIONS & DETAILS

CITY OF FALLON, MISSOURI
DESIGNED BY J.L.S. DRAWN BY C. Kaya CHECKED BY M.L.S.

JOB NO 79-2065
DATE July 30, 1981
SCALE As Shown
SHEET NO 31 of 88