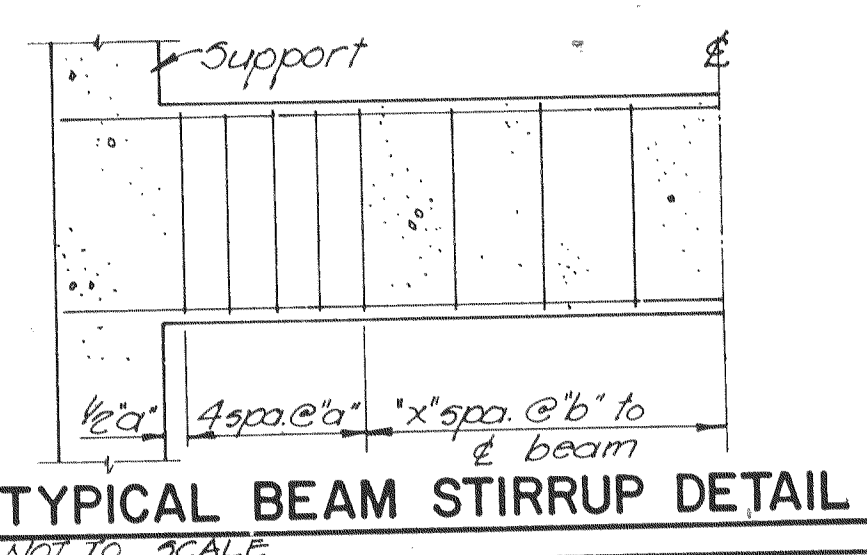
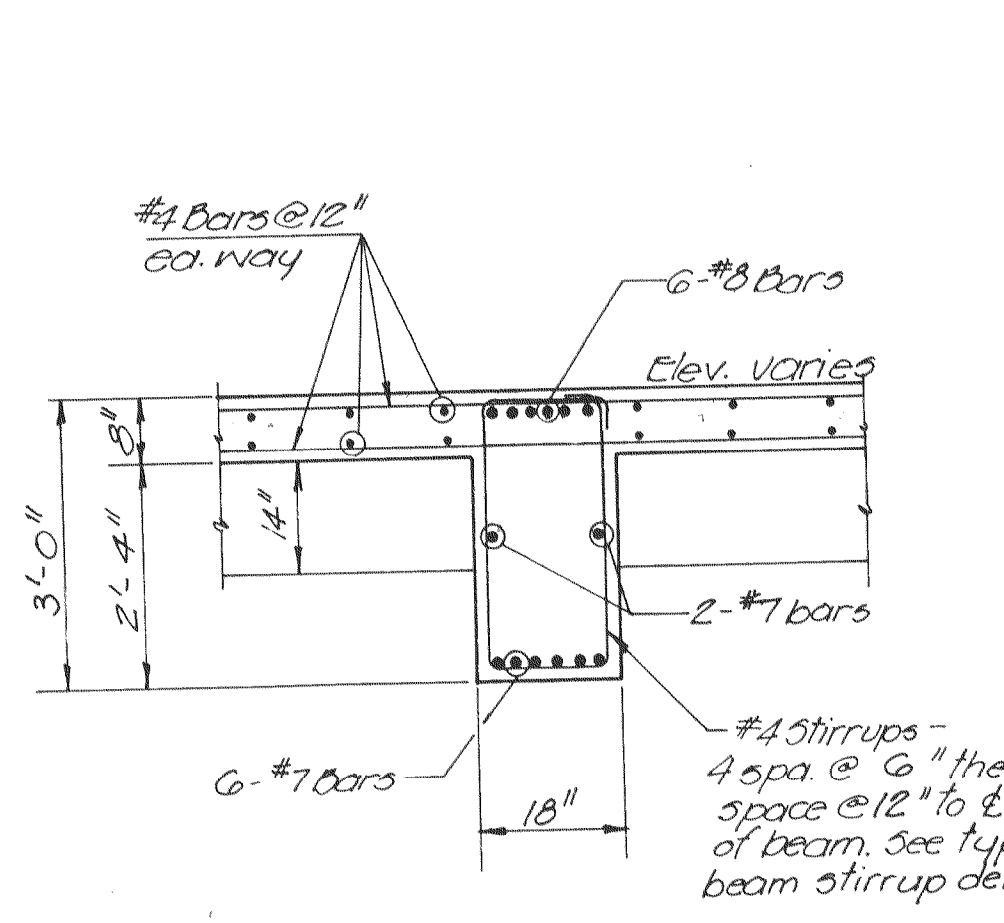


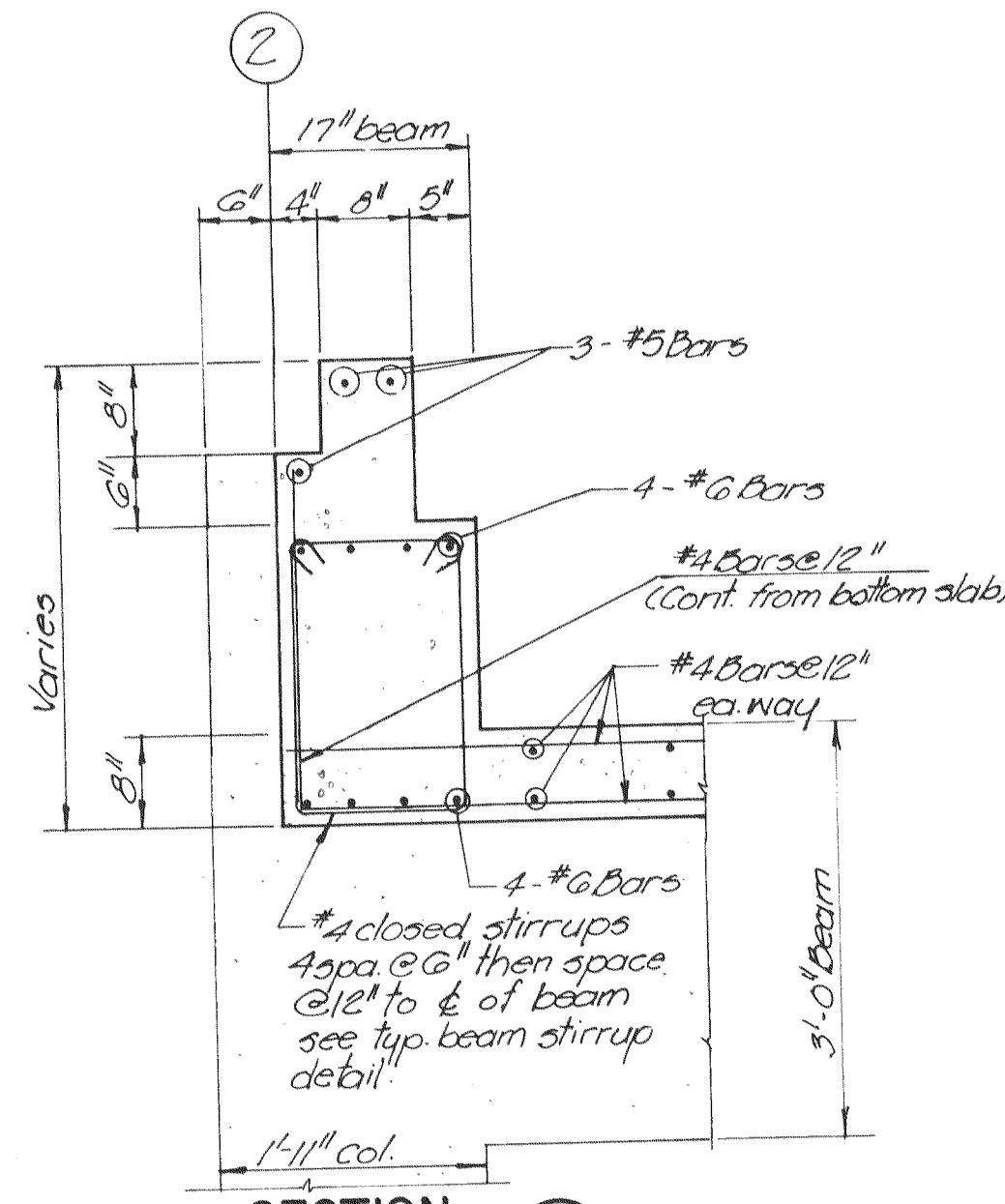
BIO-FILTER NO. 1 FLOOR PLAN Scale: 1/4" = 1'-0"
(BIO-FILTER NO. 2&3 SIMILAR)



TYPICAL BEAM STIRRUP DETAIL
NOT TO SCALE

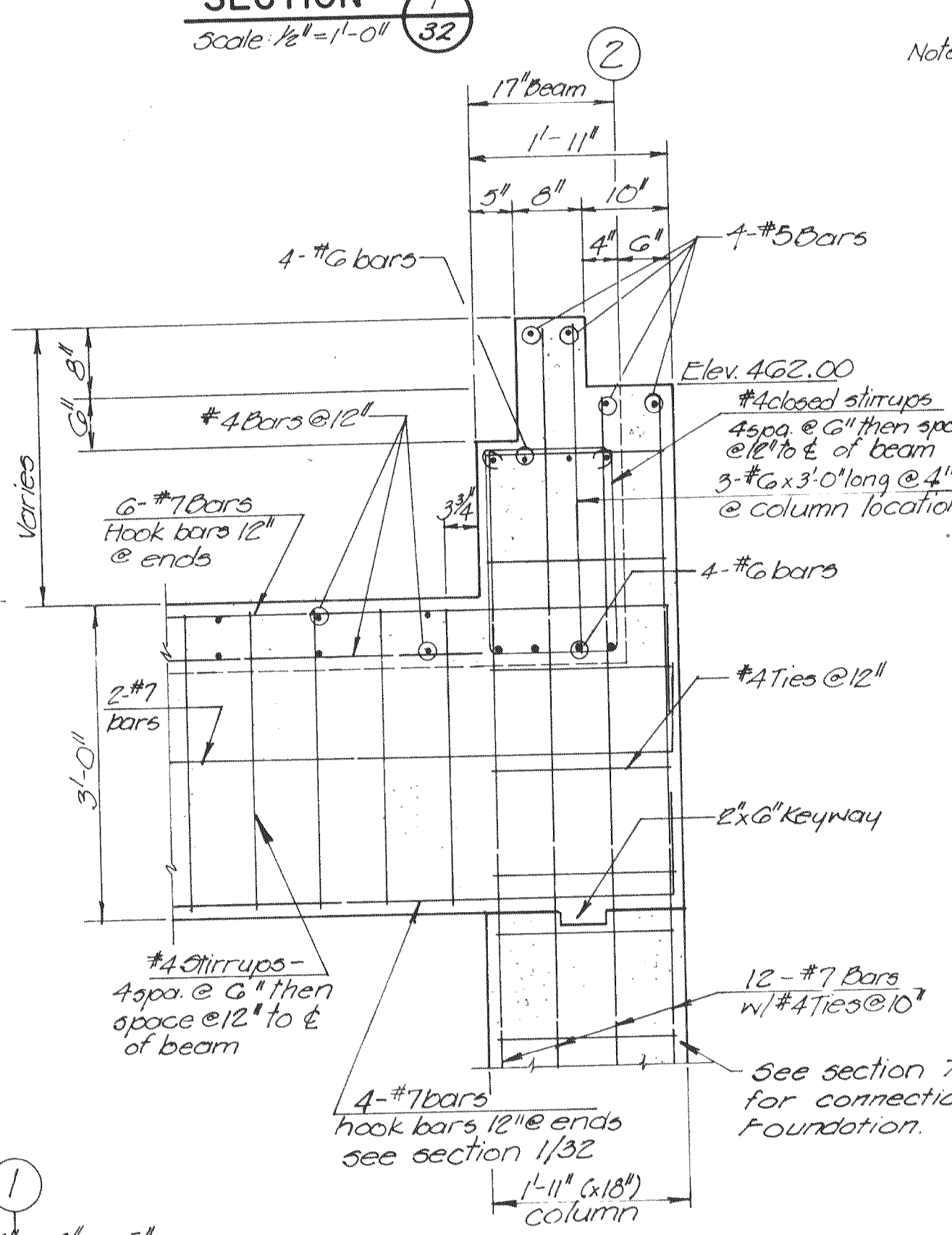


SECTION 1
Scale: 1/2" = 1'-0"

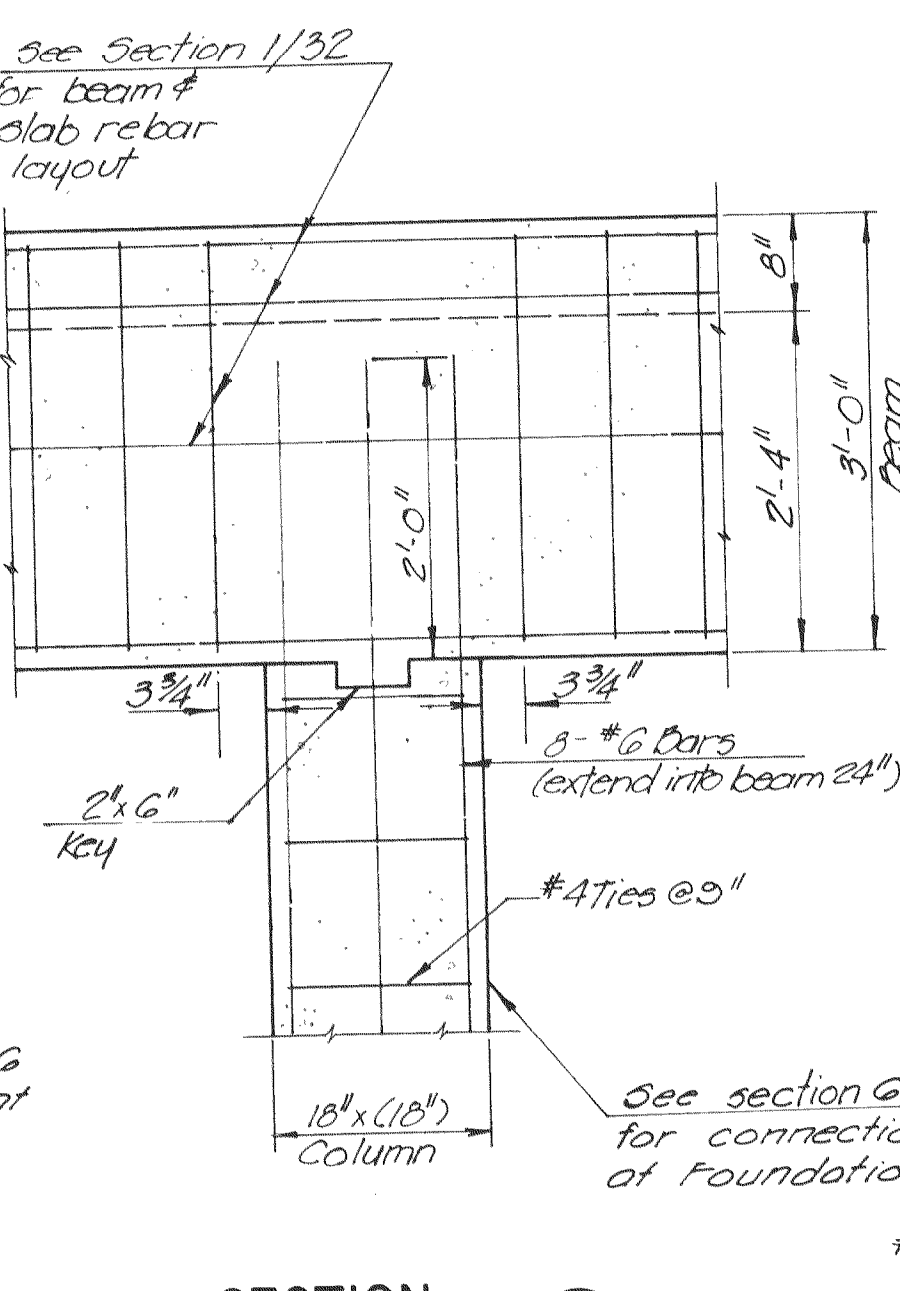


SECTION 2
Scale: 3/4" = 1'-0"

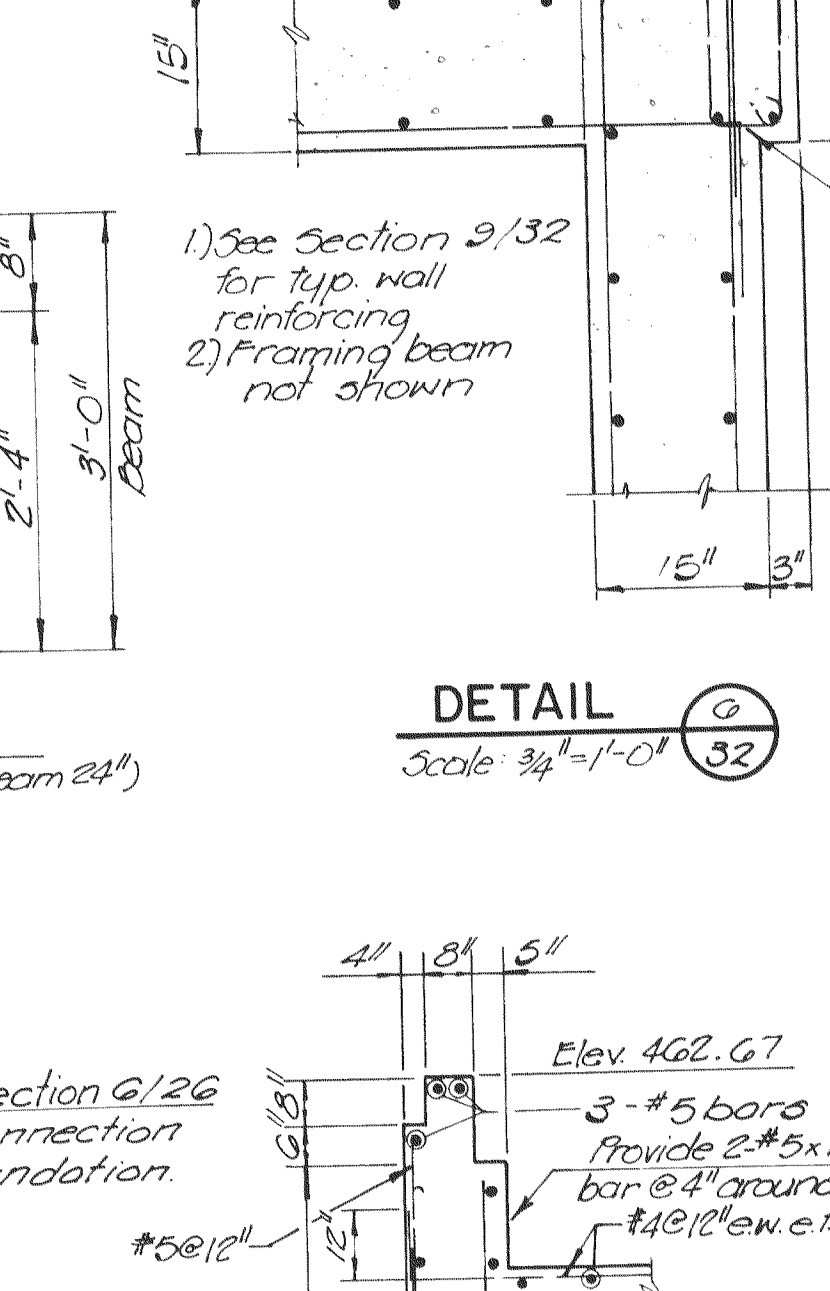
Note: This detail applies to Bio-Filter 1 - east wall & Bio-Filter 2 - west wall only



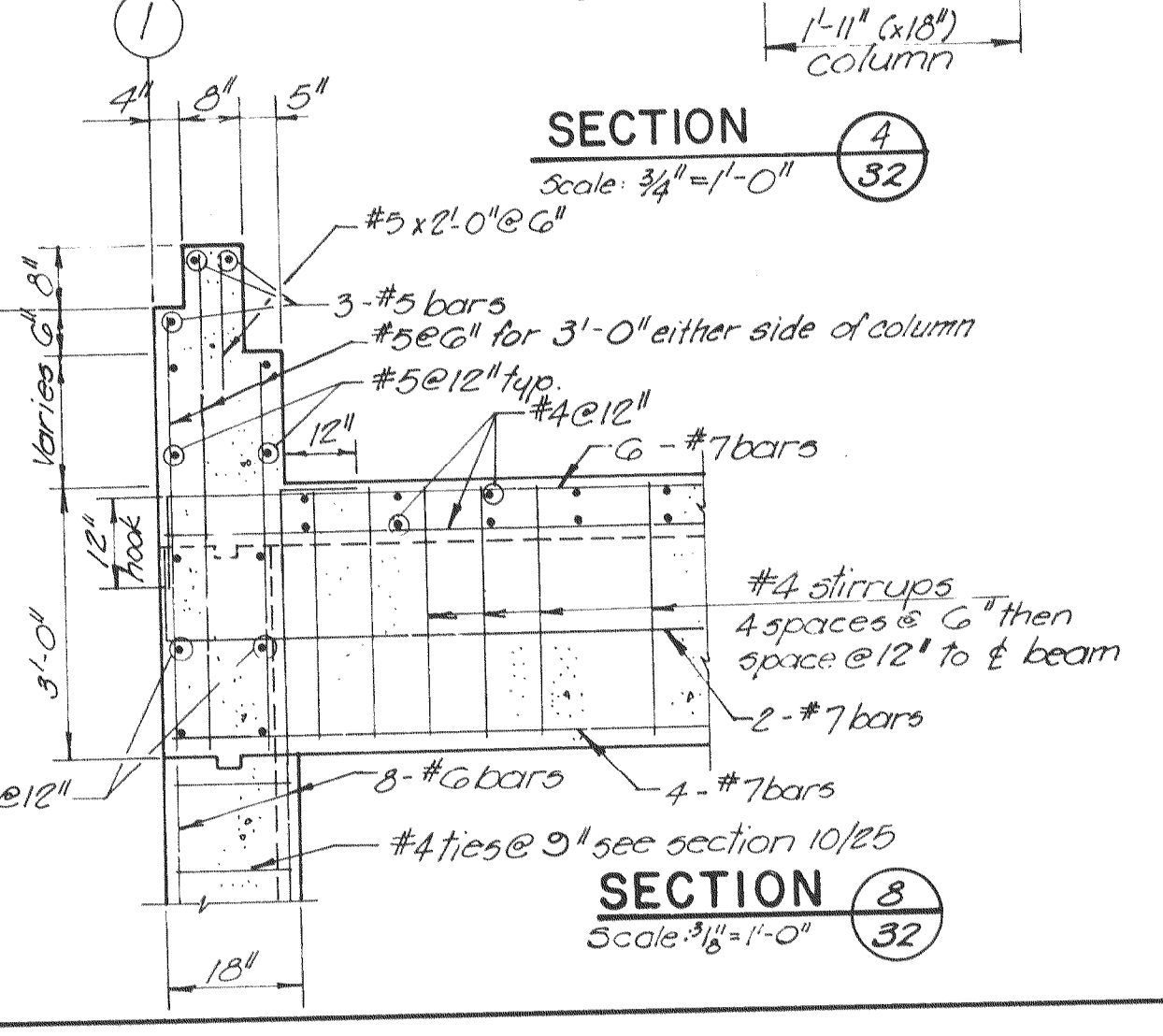
SECTION 3
Scale: 3/4" = 1'-0"



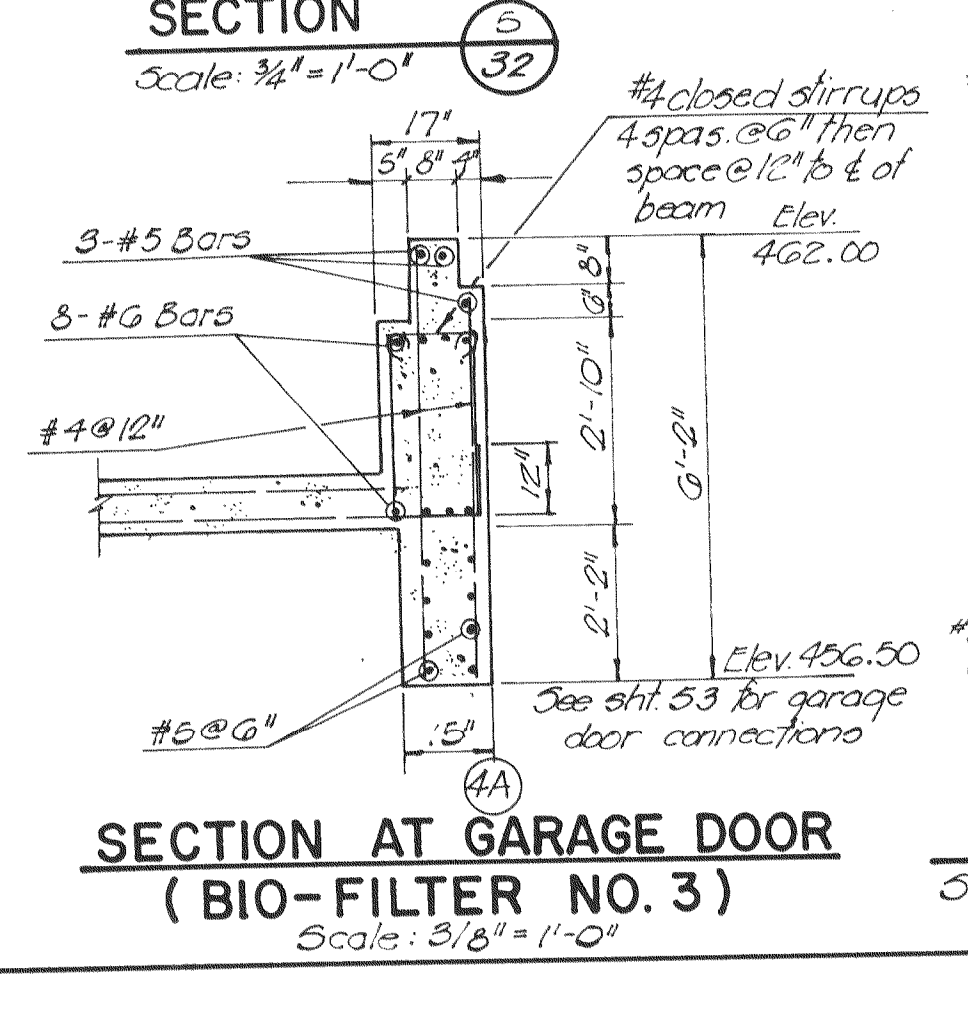
SECTION 4
Scale: 3/4" = 1'-0"



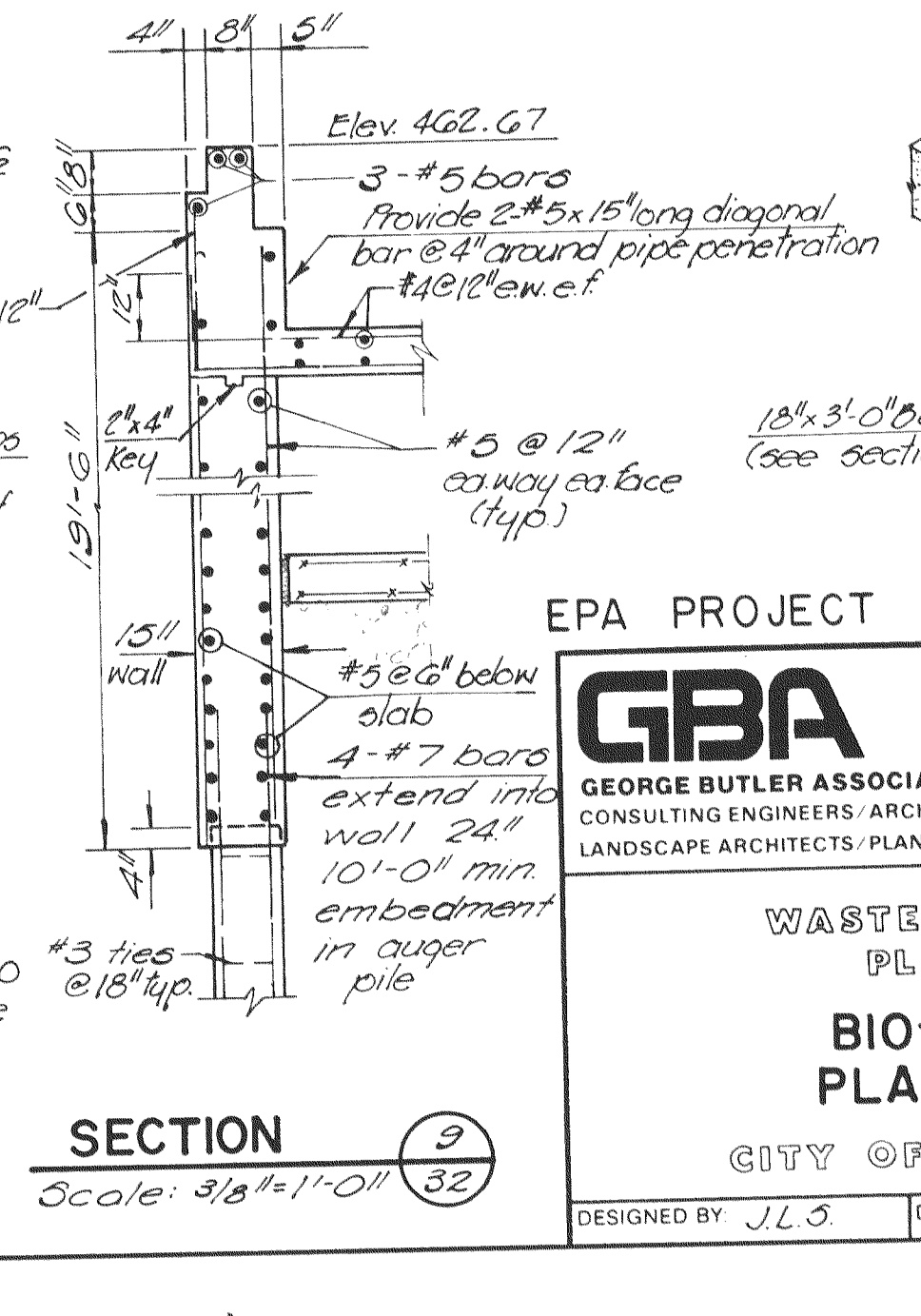
SECTION 5
Scale: 3/4" = 1'-0"



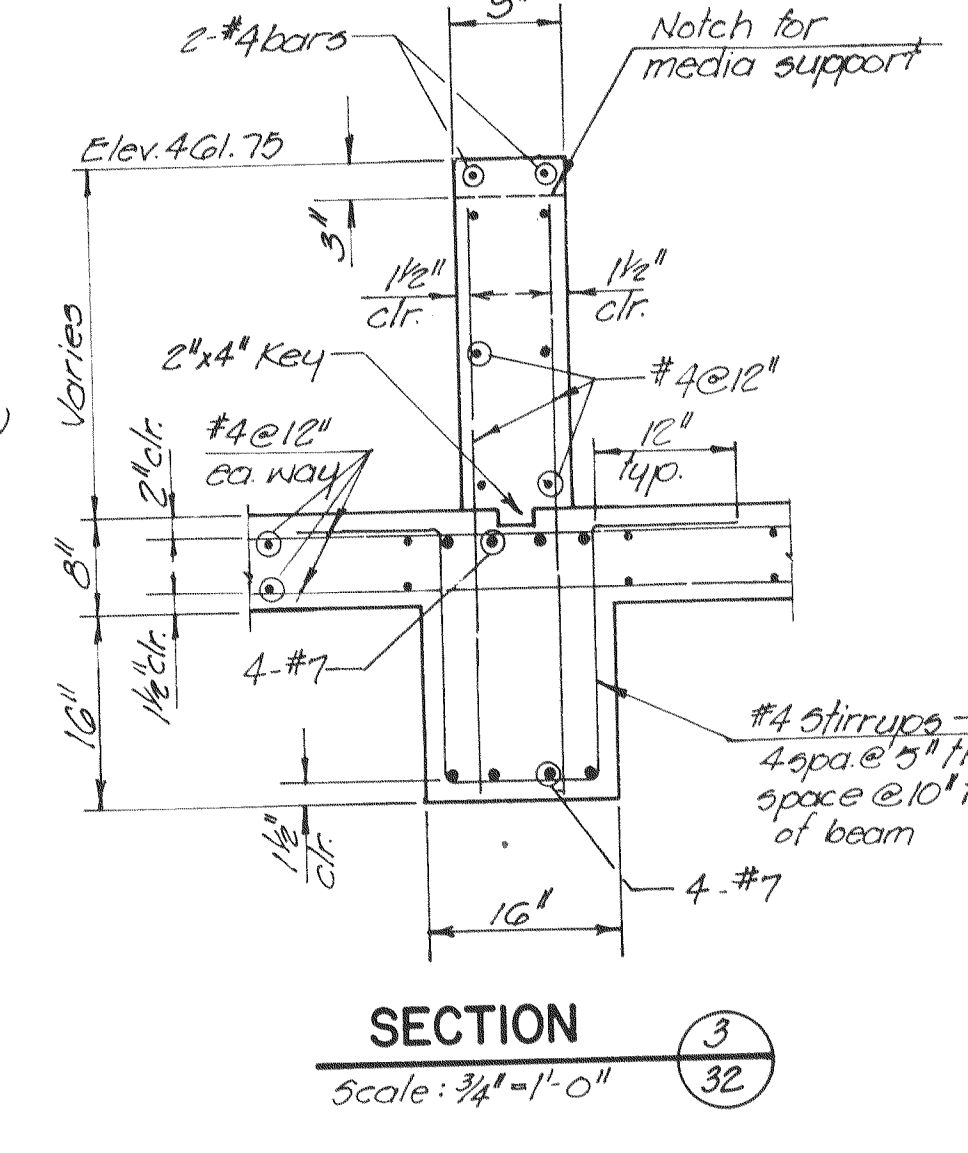
SECTION 6
Scale: 3/8" = 1'-0"



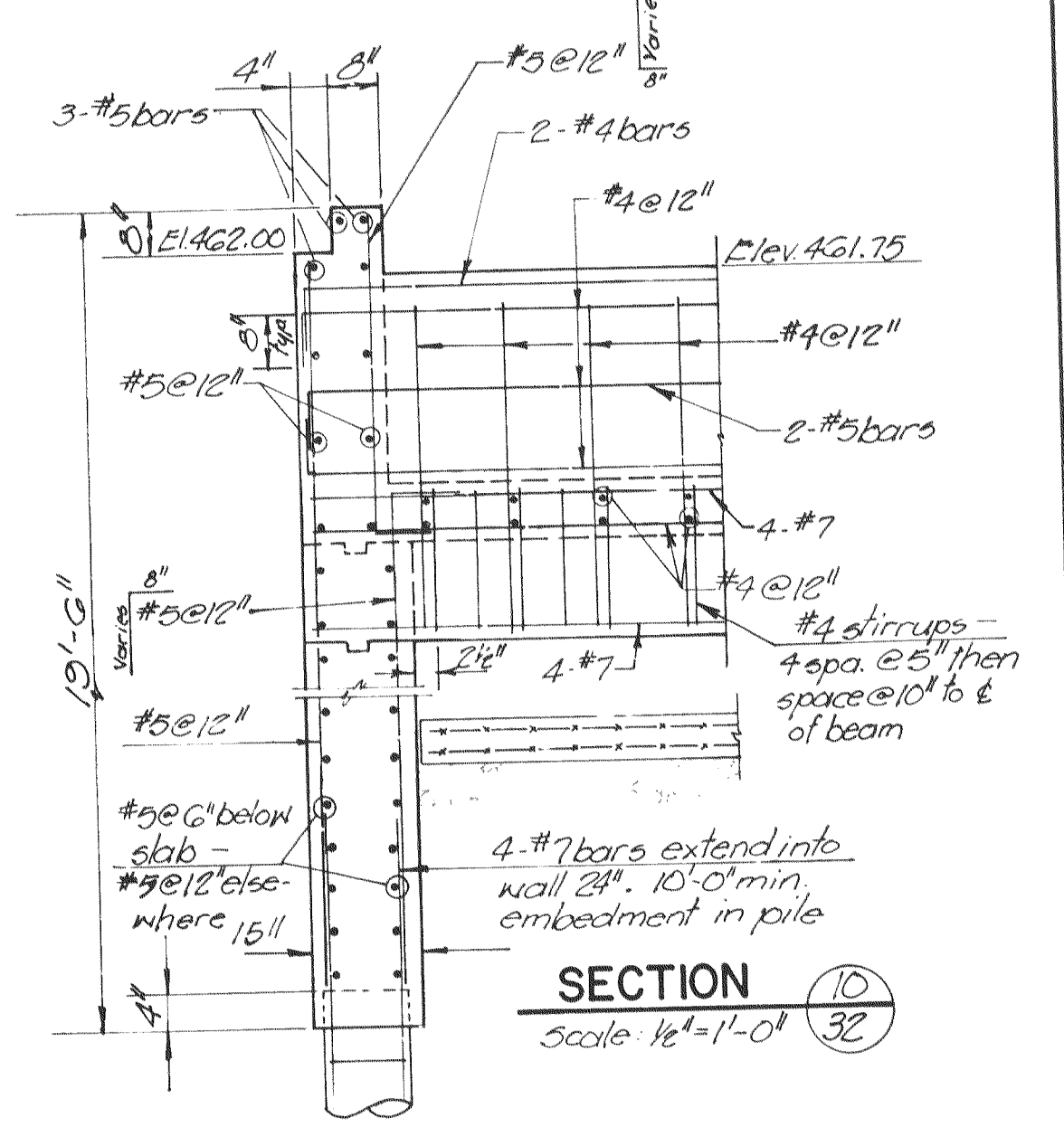
SECTION 7
Scale: 3/8" = 1'-0"



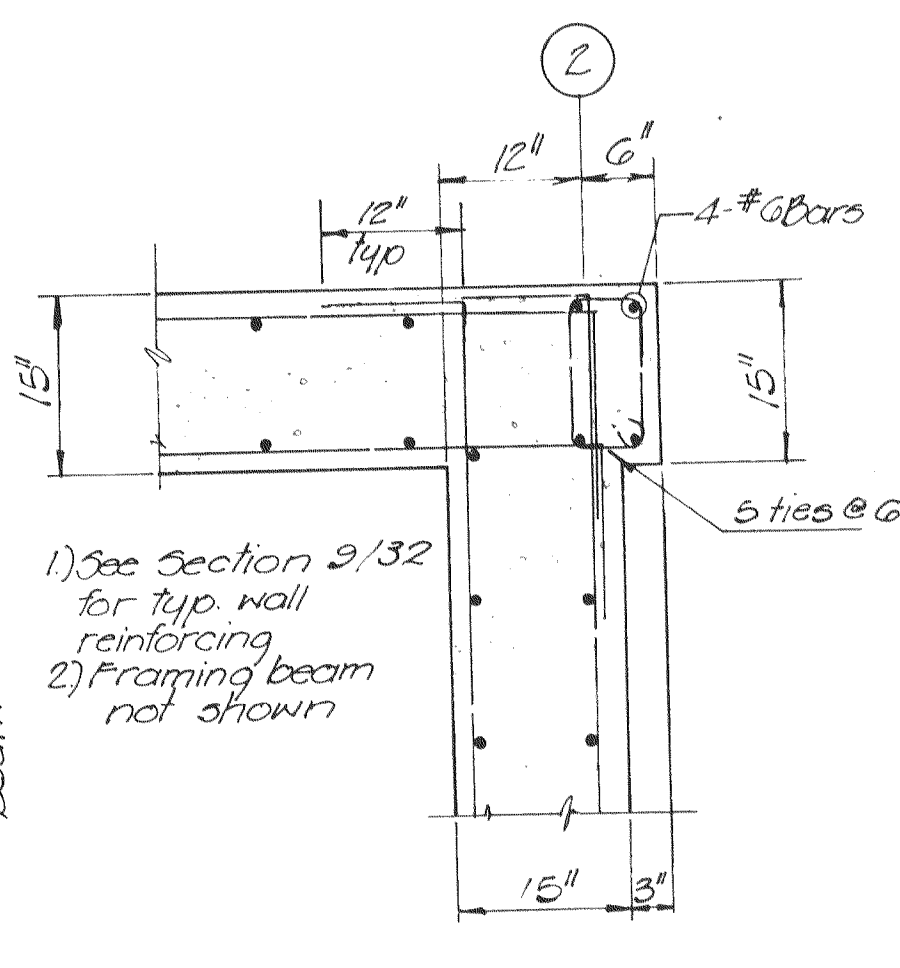
SECTION 8
Scale: 3/8" = 1'-0"



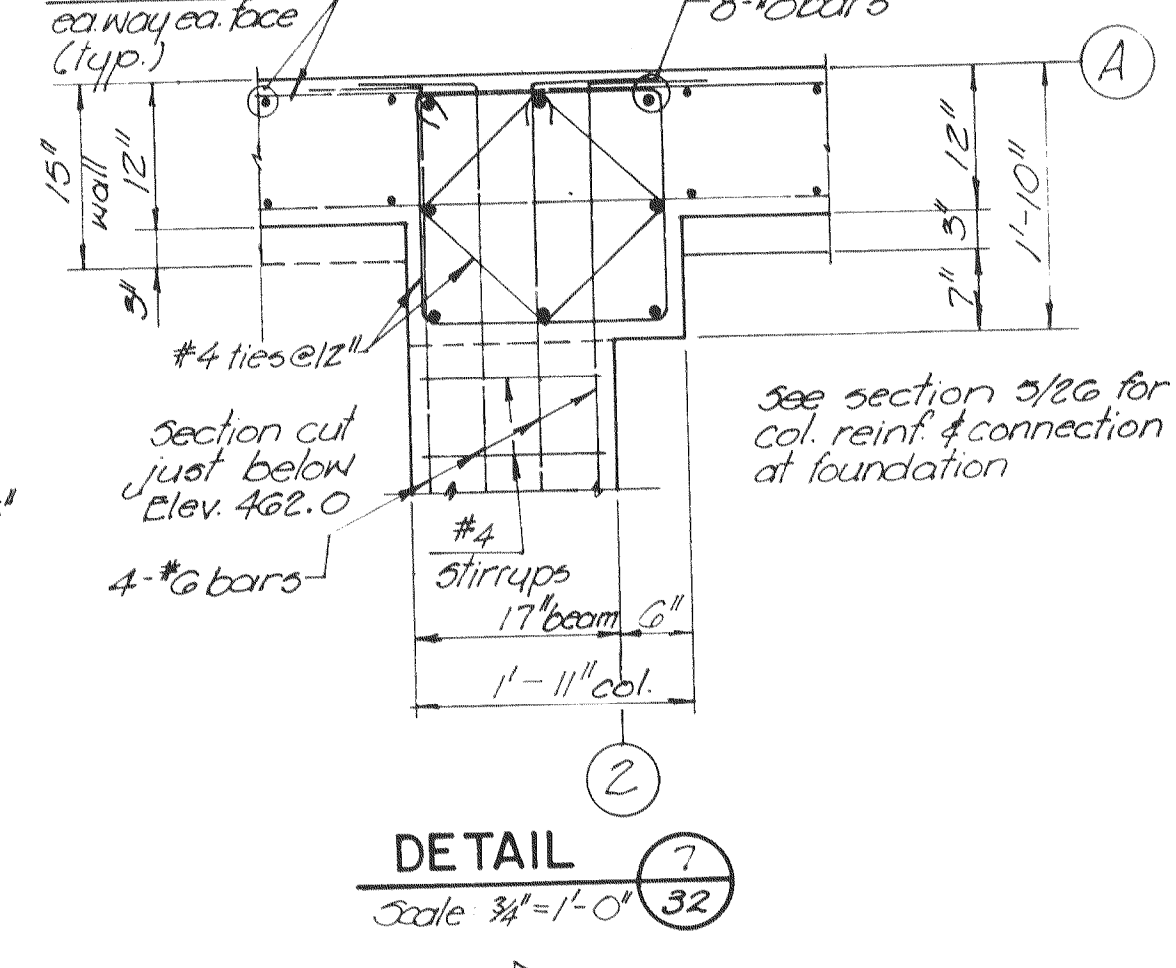
SECTION 9
Scale: 3/4" = 1'-0"



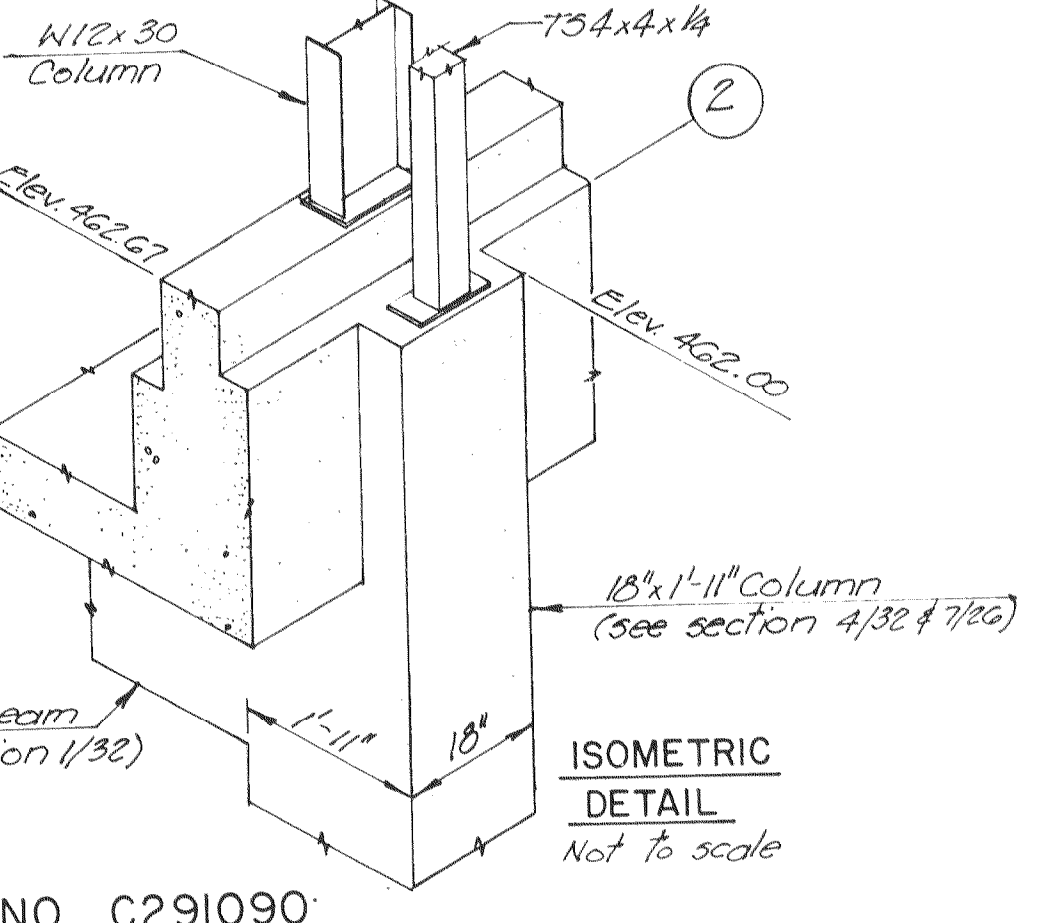
SECTION 10
Scale: 1/2" = 1'-0"



DETAIL 1
Scale: 3/4" = 1'-0"



DETAIL 2
Scale: 3/4" = 1'-0"



ISOMETRIC DETAIL
Not to scale

EPA PROJECT NO. C291090

GBA
GEORGE BUTLER ASSOCIATES
CONSULTING ENGINEERS / ARCHITECTS
LANDSCAPE ARCHITECTS / PLANNERS

OFFICES:
SUITE 305-A FAIRWAY OFFICE CENTER
4210 JOHNSON DRIVE, SHAWNEE MISSION / KANSAS 66205
1100 CITY CENTER SQUARE
1100 MAIN / KANSAS CITY / MISSOURI 64105
SUITE 134 LAKESIDE PLAZA II
8700 CORPORATE DRIVE / KANSAS CITY / MISSOURI 64120

WASTEWATER TREATMENT
PLANT EXPANSION

**BIO-FILTER FLOOR
PLANS & SECTIONS**

CITY OF O'FALLON, MISSOURI

DESIGNED BY J.L.S. DRAWN BY C. RAYO CHECKED BY M.L.S.

JOB NO. 79-2065
DATE 7/30/81
SCALE As Shown
SHEET NO. 32 OF 88