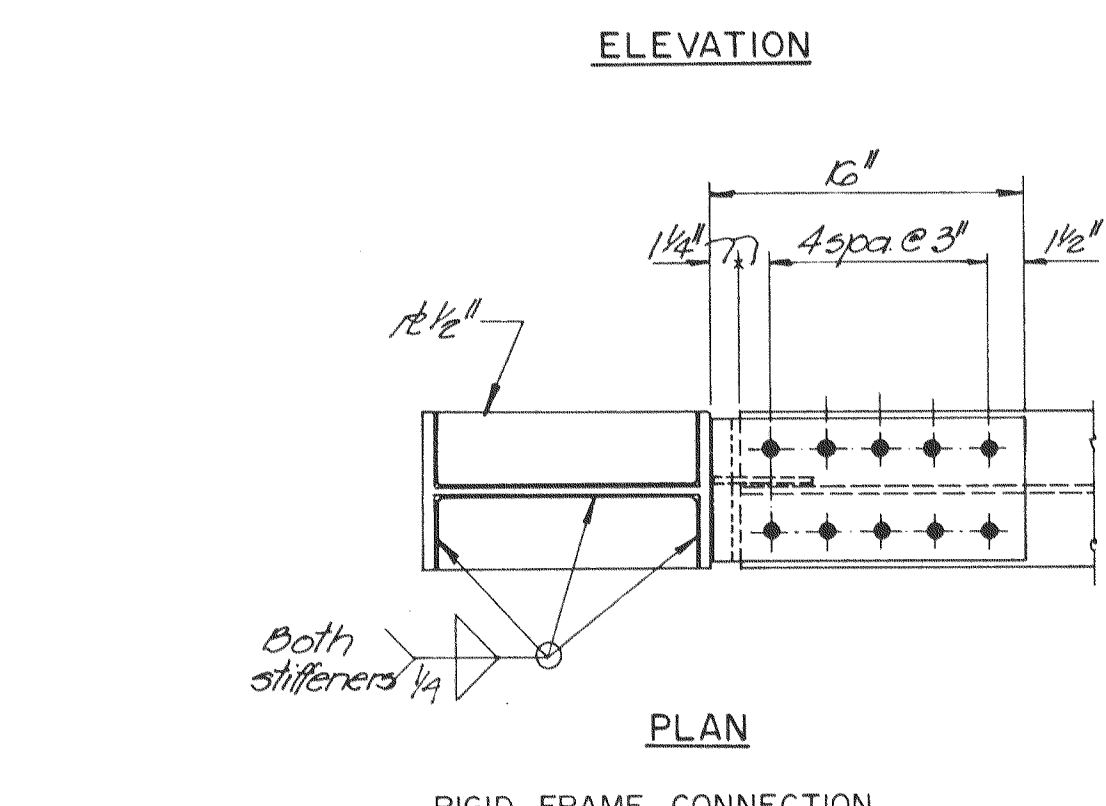
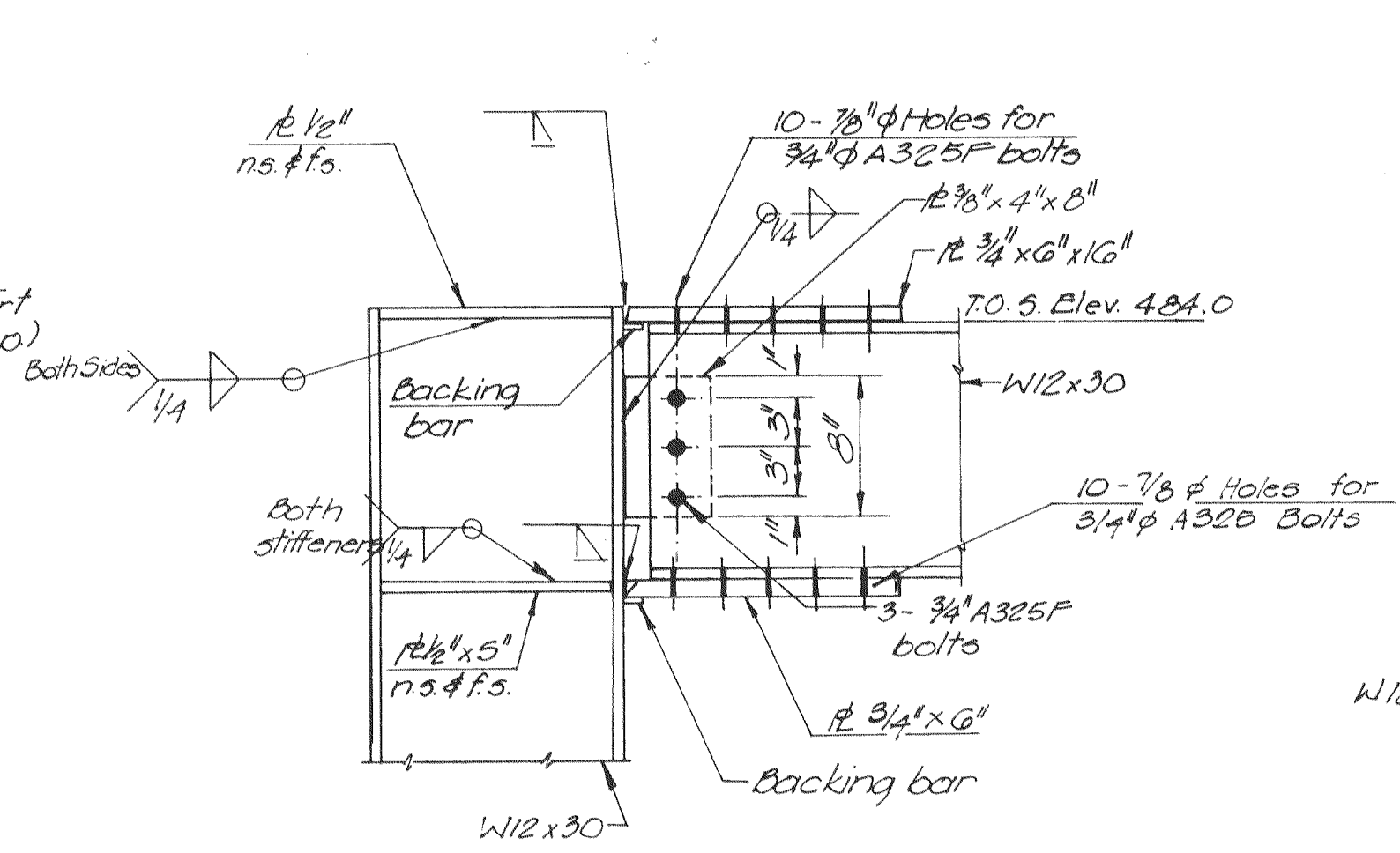
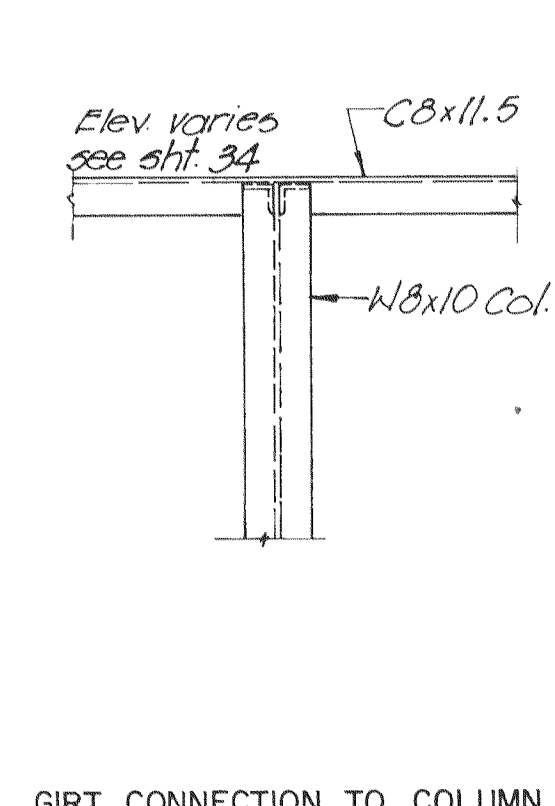
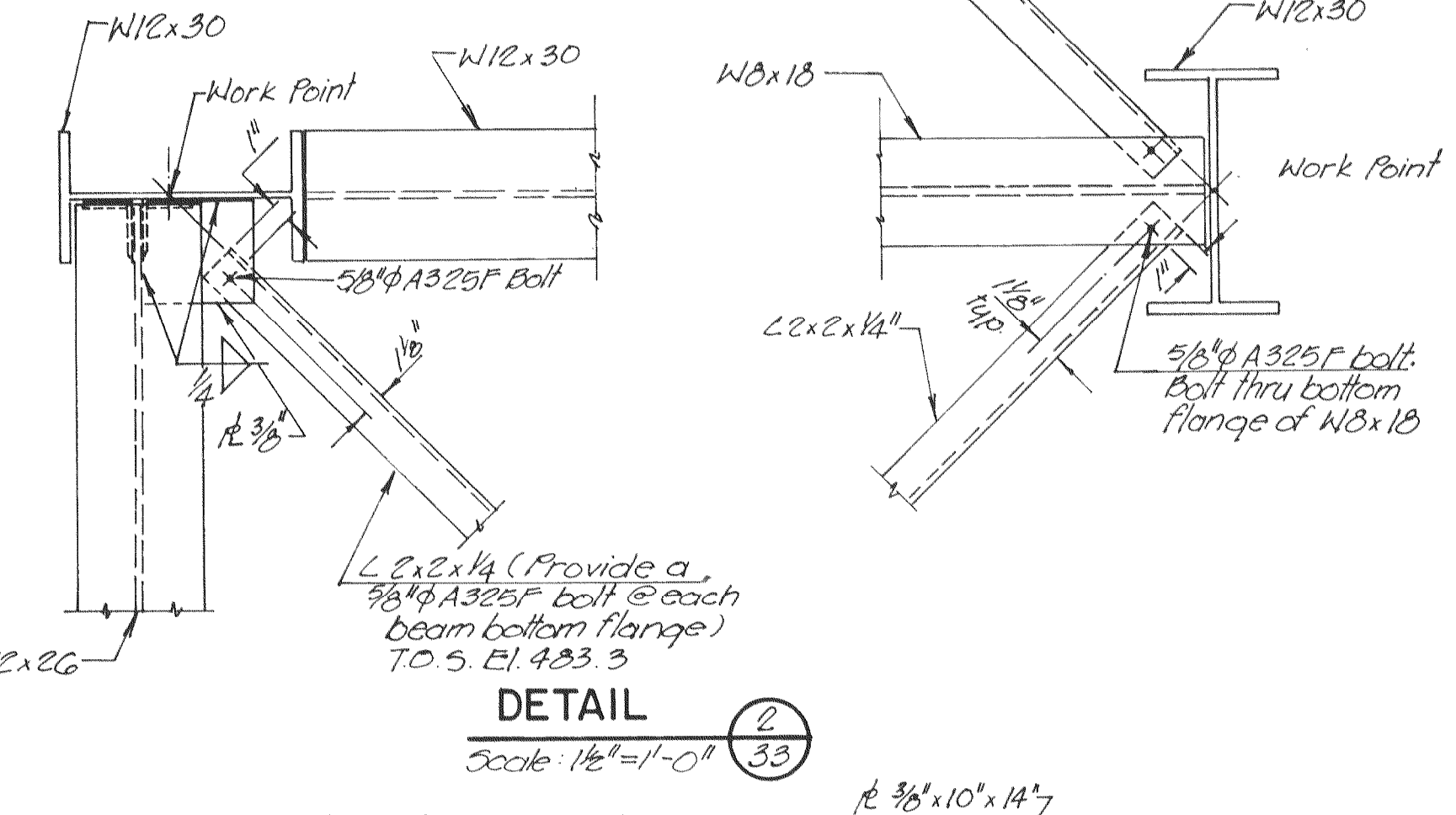


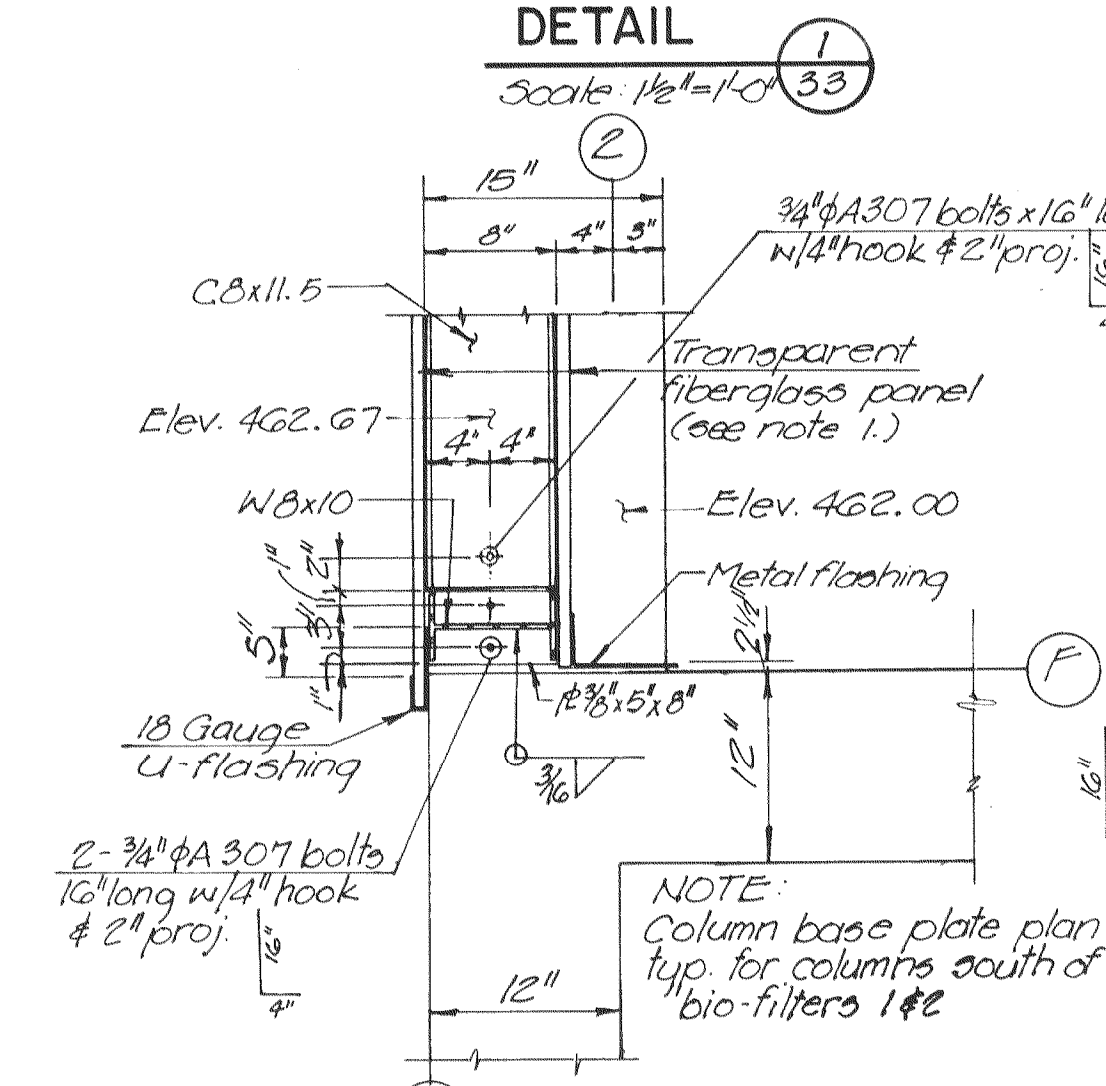
BIO-FILTER FRAMING PLAN
Scale: 1/8"=1'-0"



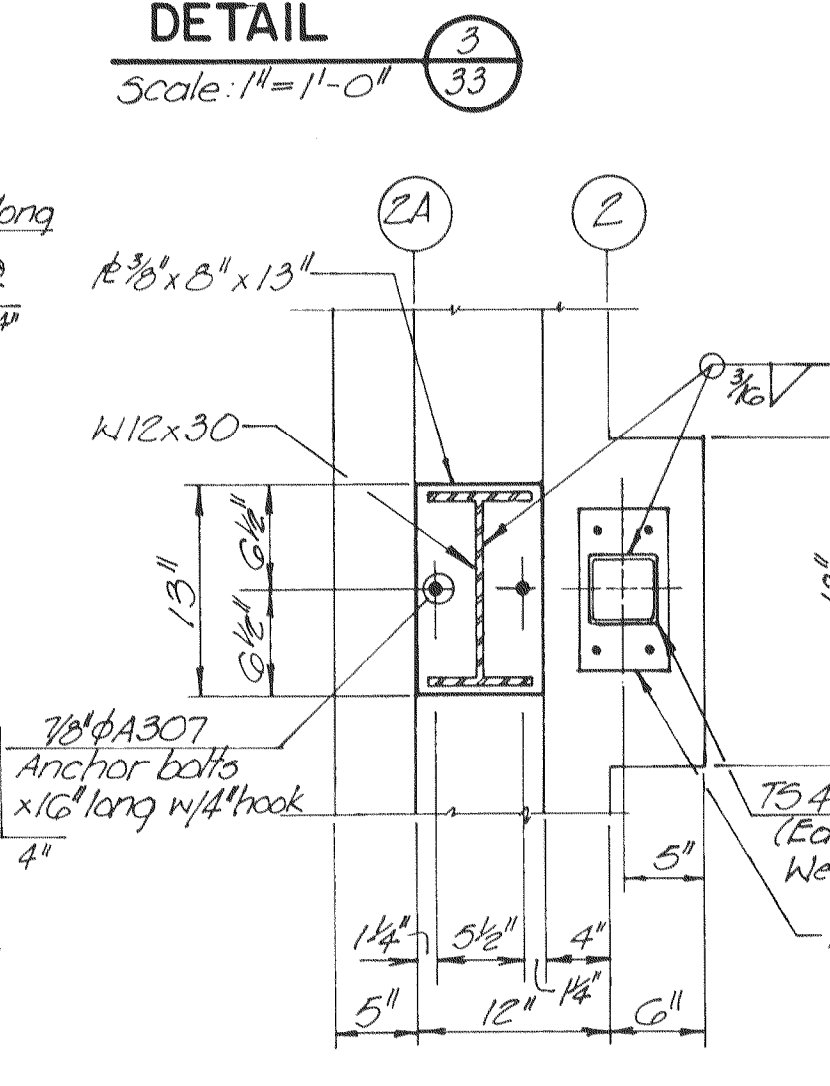
RIGID FRAME CONNECTION



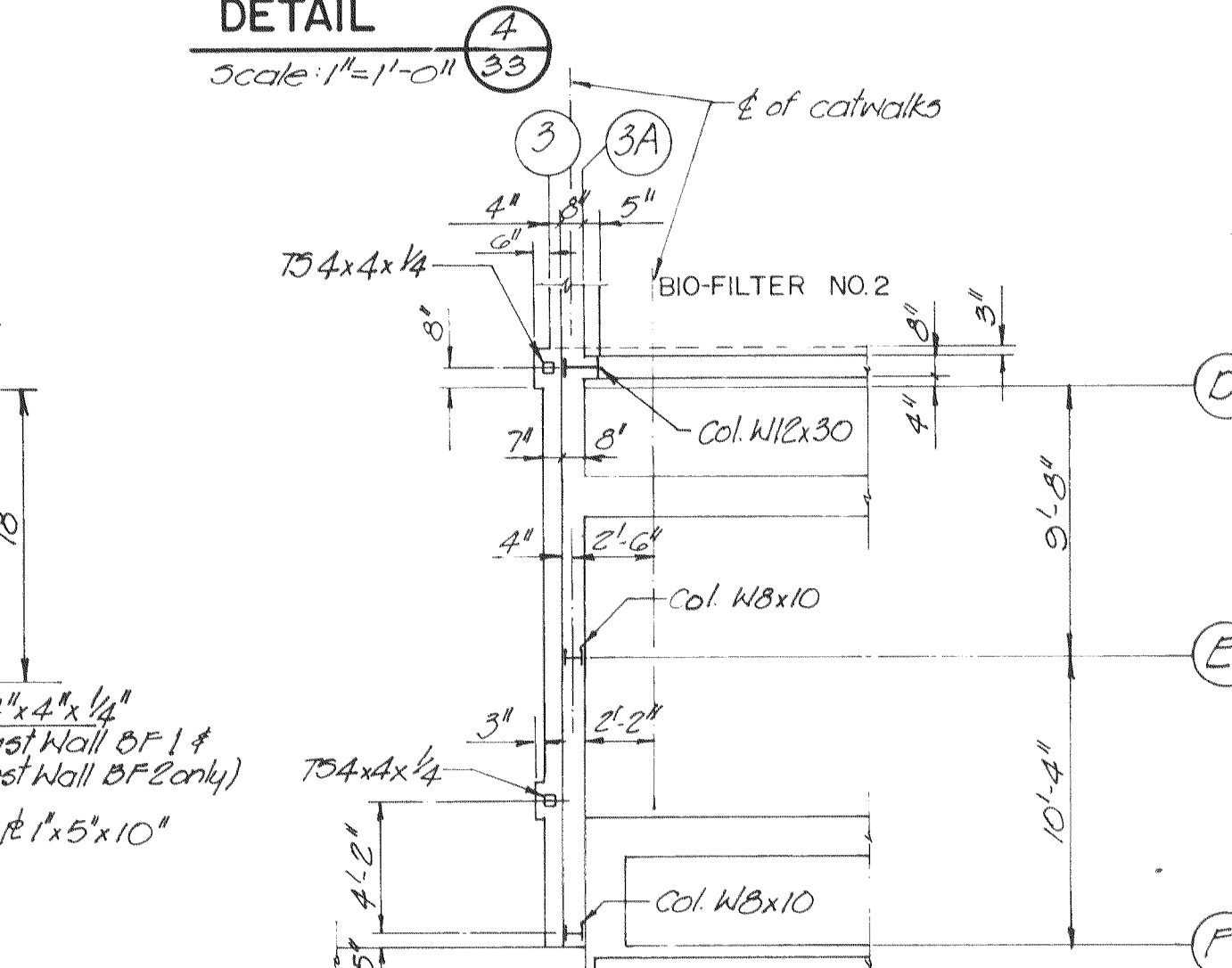
GIRT CONNECTION TO COLUMN



DETAIL 5
Scale: 1"=1'-0" 33



DETAIL 6
Scale: 1"=1'-0" 33



DETAIL 7
Scale: 3/16"=1'-0" 33

NOTES:
1.) Transparent fiberglass panels are located as follows:
a) On grid lines "2" & "3", between grid lines "D" & "F".
b) On grid line "A", between grid lines "2" & "3".
2.) Connections not shown are simple type and shall be detailed by the fabricator and approved by the Engineer. See specs.

EPA PROJECT NO. C291090

GBA
GEORGE BUTLER ASSOCIATES
CONSULTING ENGINEERS/ARCHITECTS
LANDSCAPE ARCHITECTS/PLANNERS

OFFICES:
SUITE 305-A FAIRWAY OFFICE CENTER
4310 JONKSON DRIVE / SHAWNEE MISSION - KANSAS 66205
1100 CITY CENTER SQUARE
1100 MAIN / KANSAS CITY / MISSOURI 64105
SUITE 134 LAKESIDE PLAZA #
6700 CORPORATE DRIVE / KANSAS CITY / MISSOURI 64120

**WASTEWATER TREATMENT
PLANT EXPANSION
BIO-FILTER
STRUCTURAL STEEL FRAMING
PLANS & SECTIONS**
CITY OF O'FALLON, MISSOURI

DESIGNED BY J.L.S. DRAWN BY C.Ray CHECKED BY M.L.S.

JOB NO 79-2065
DATE July 30, 1981
SCALE As Shown
SHEET NO 33 OF 88