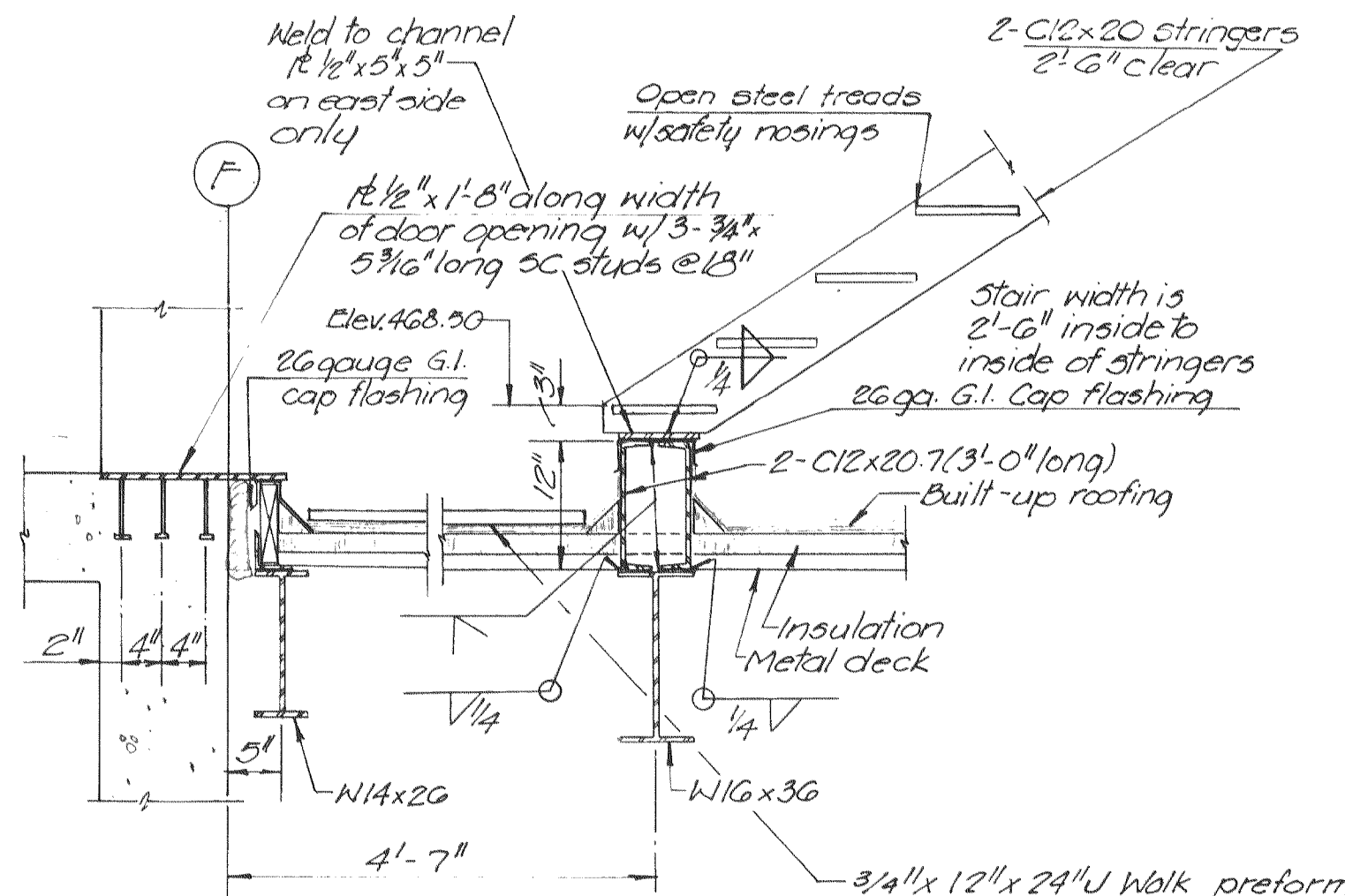
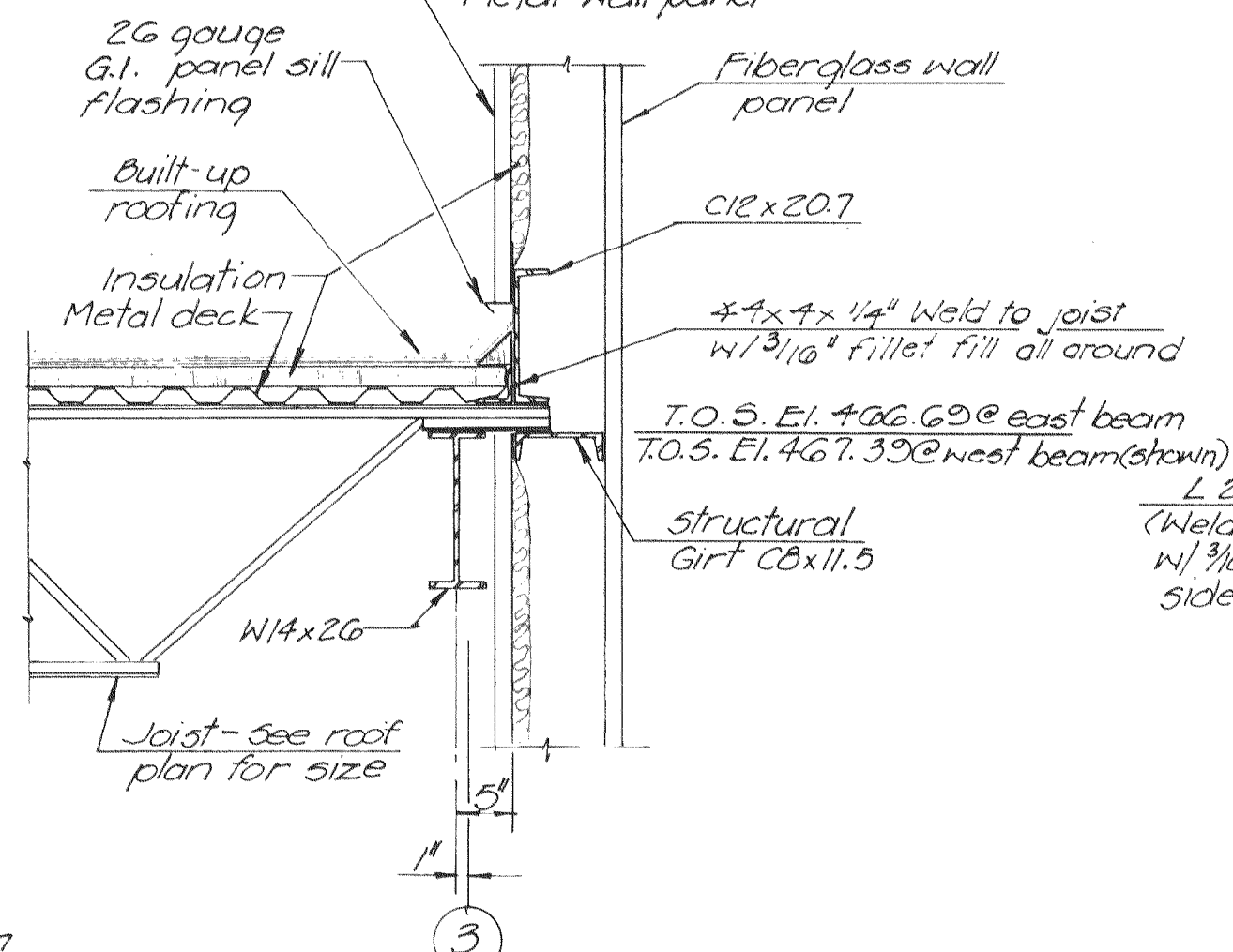


GARAGE-ROOF FRAMING PLAN
Scale: 3/16" = 1'-0"

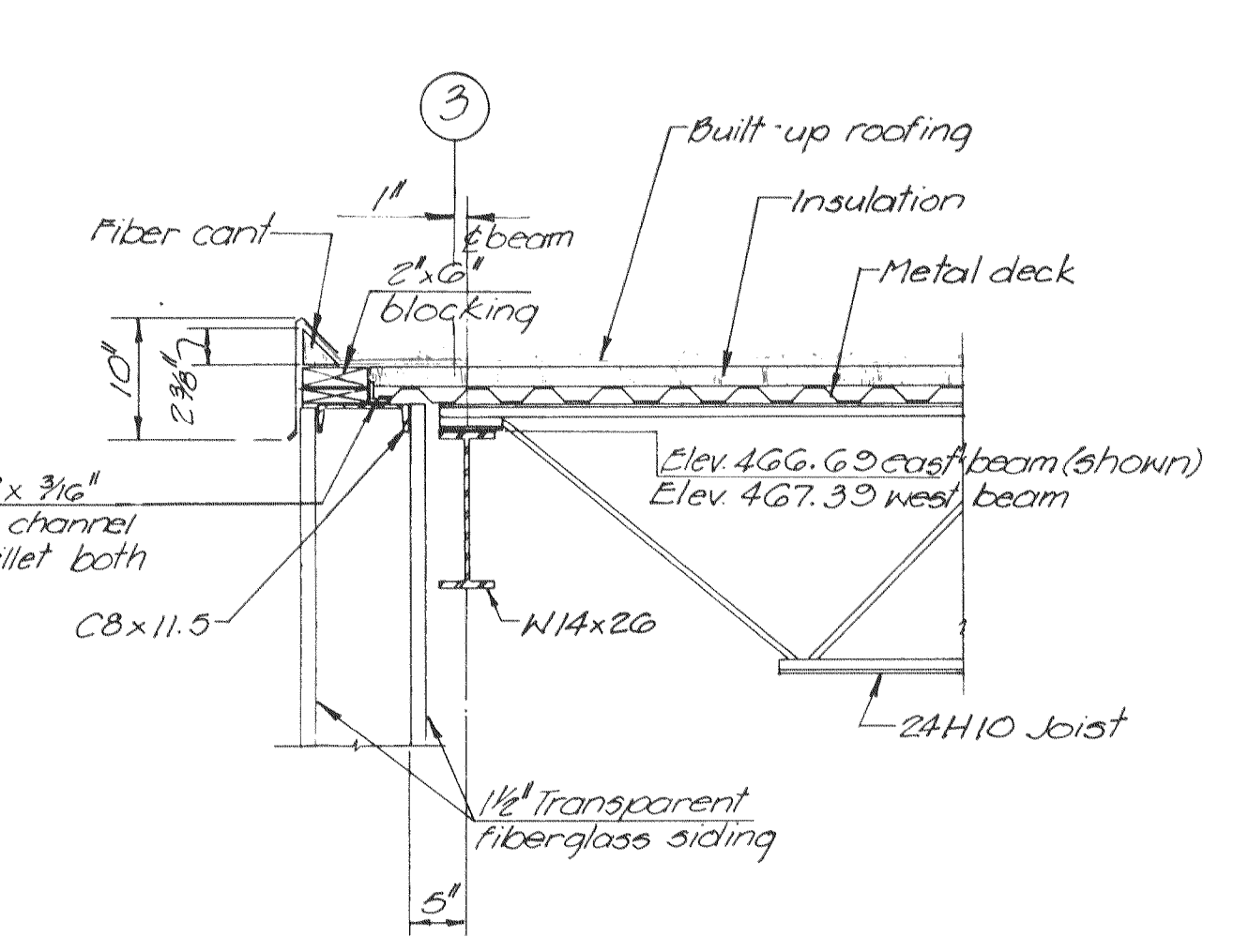
- NOTES:**
- The roof deck shall be Type A galvanized metal deck and shall develop a design shear of 150 pounds per lineal foot as a diaphragm and shall be welded in a W-1 pattern as specified by Wheeling Corrugating Company.
 - Support steel in metal wall panel not shown.
 - ◊ - Indicates pipe support saddle, pipe, & floor flange.



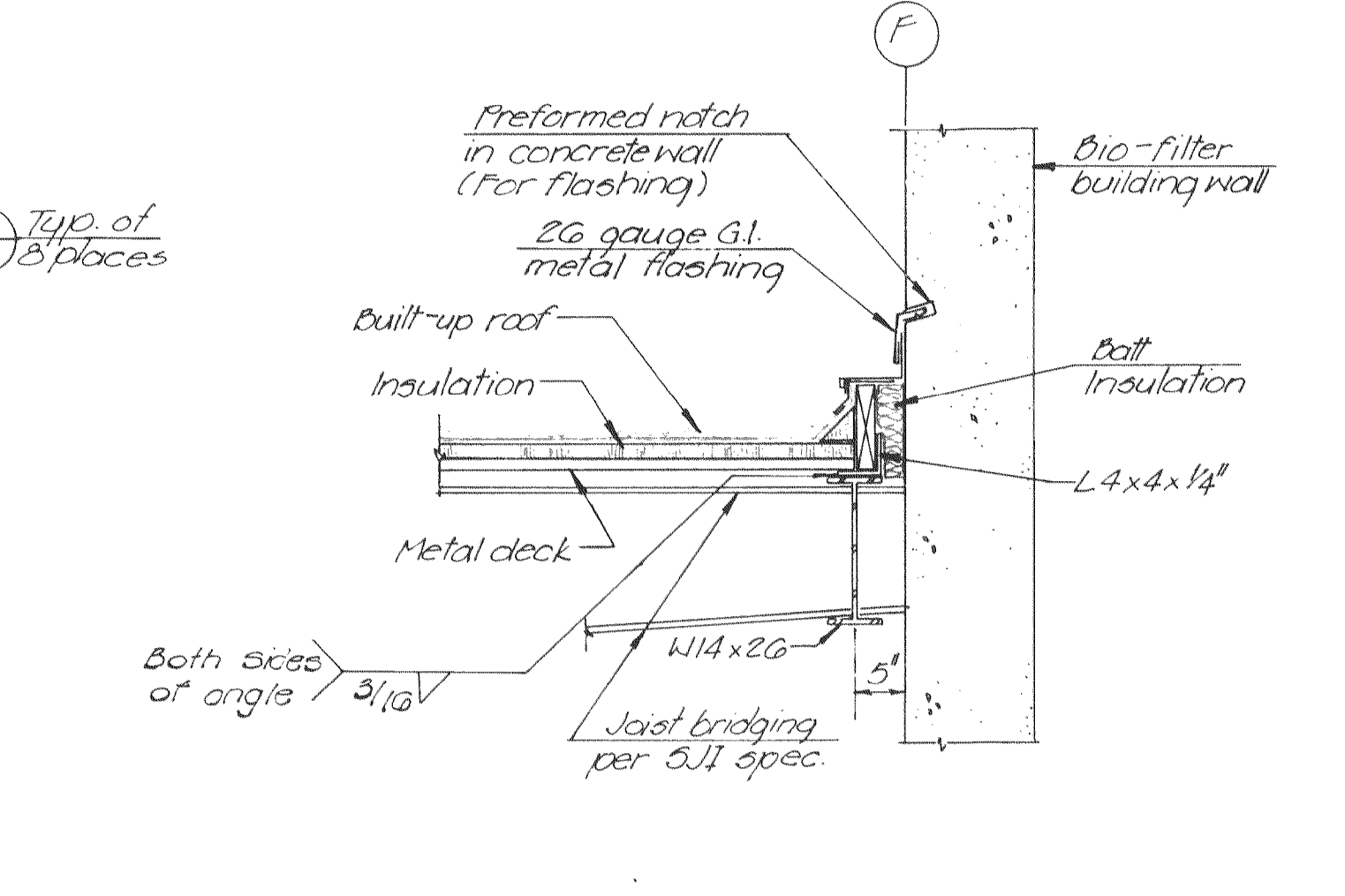
SECTION 1
Scale: 3/4" = 1'-0"



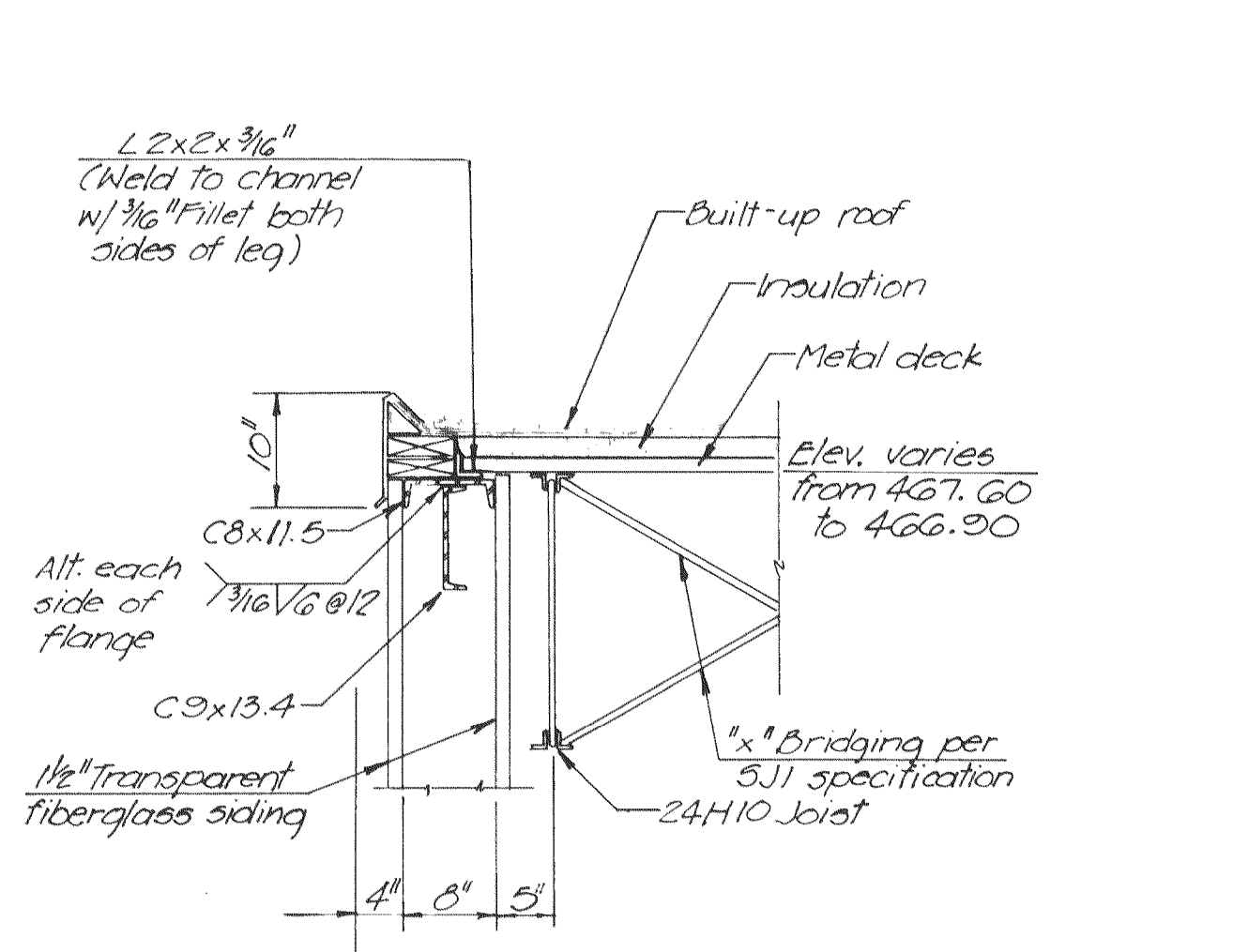
SECTION 2
Scale: 3/4" = 1'-0"



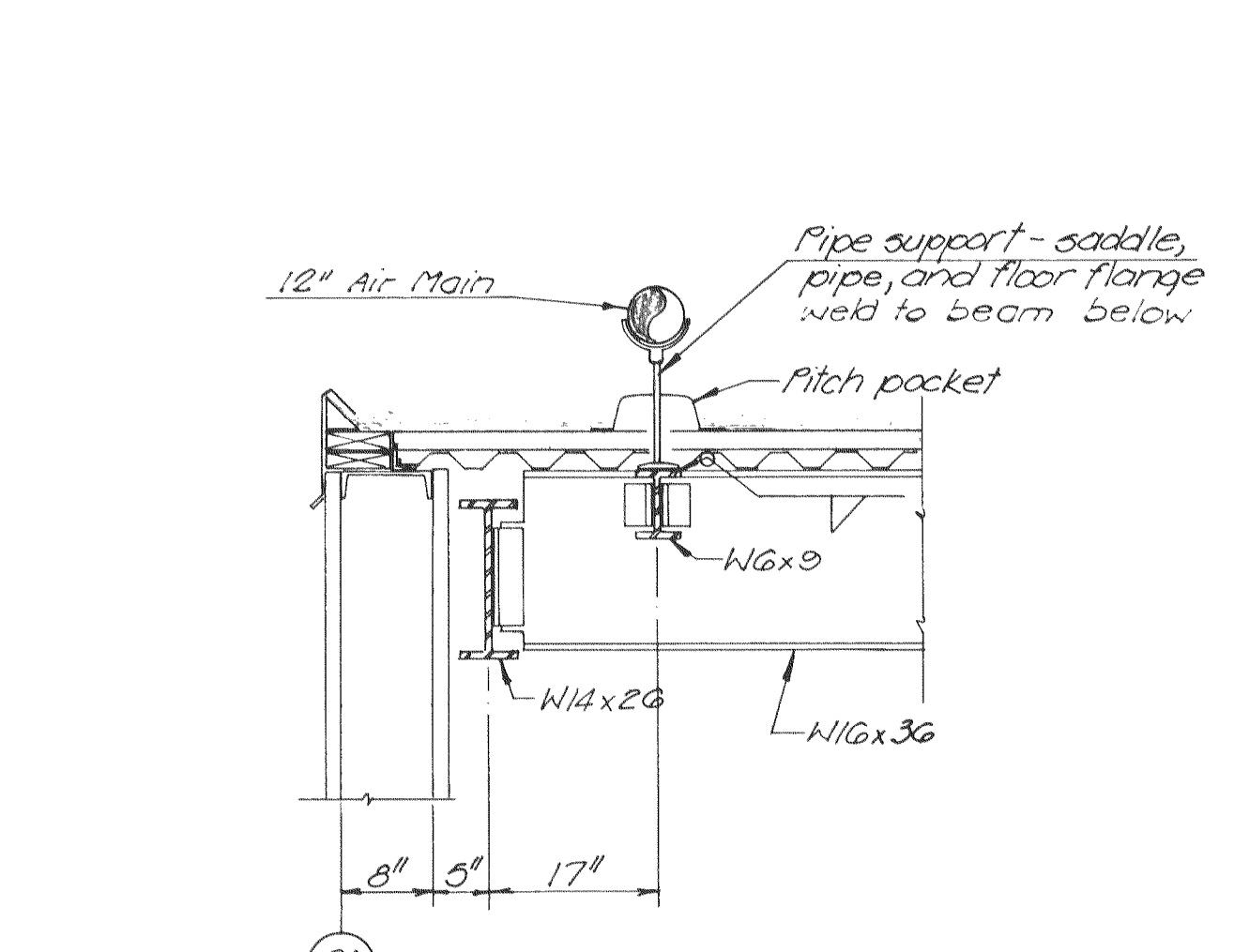
SECTION 3
Scale: 3/4" = 1'-0"



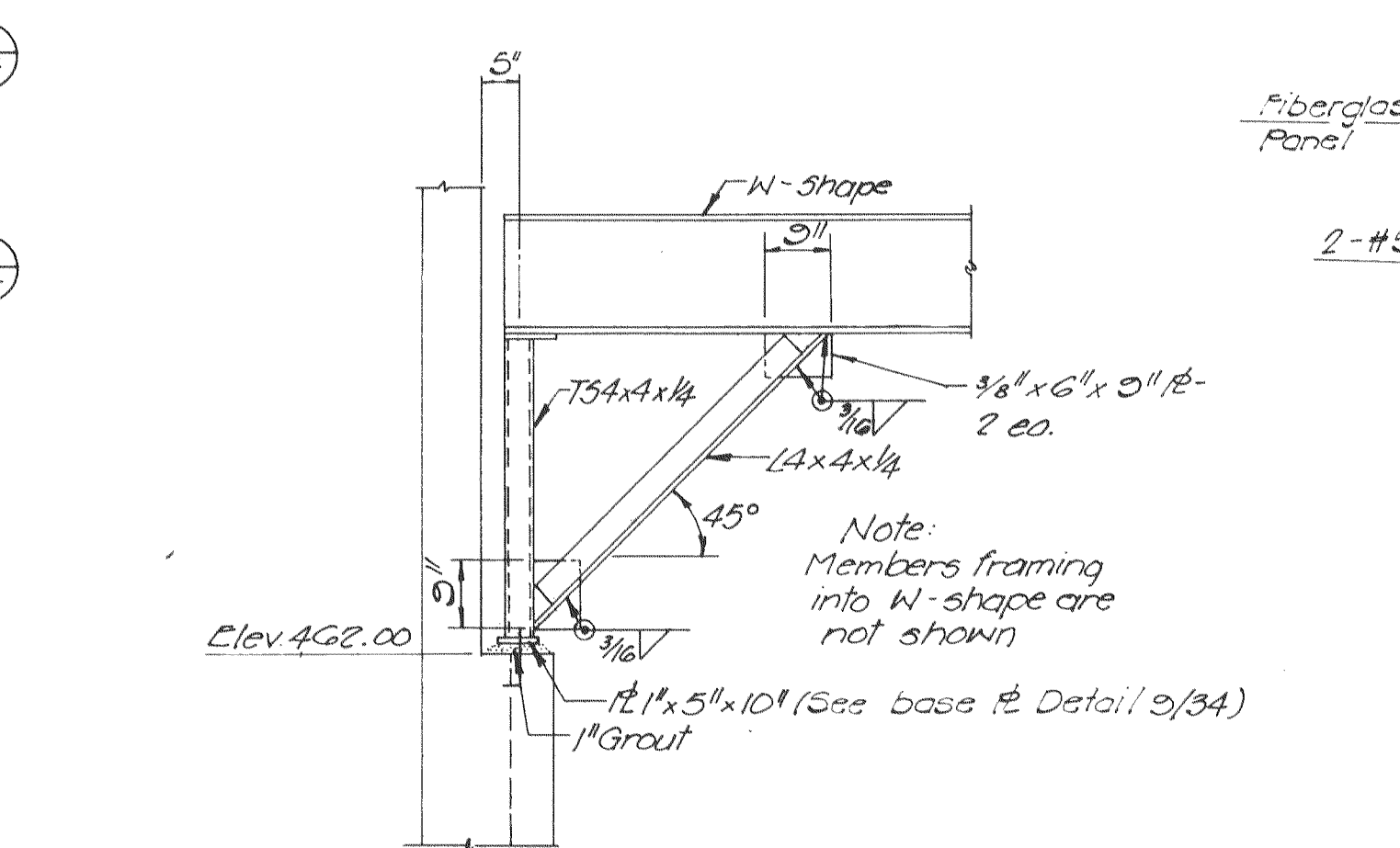
SECTION 4
Scale: 3/4" = 1'-0"



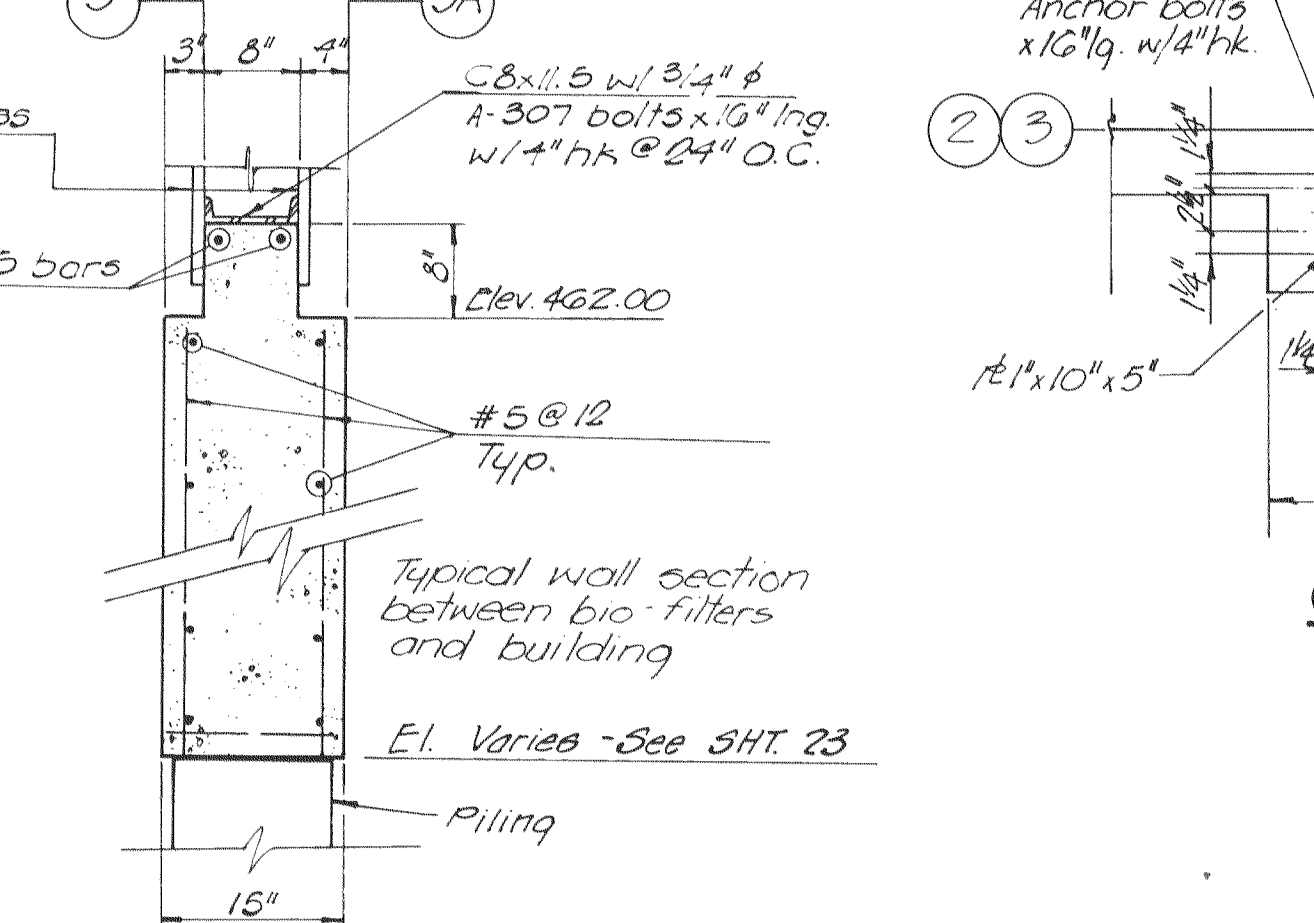
SECTION 5
Scale: 3/4" = 1'-0"



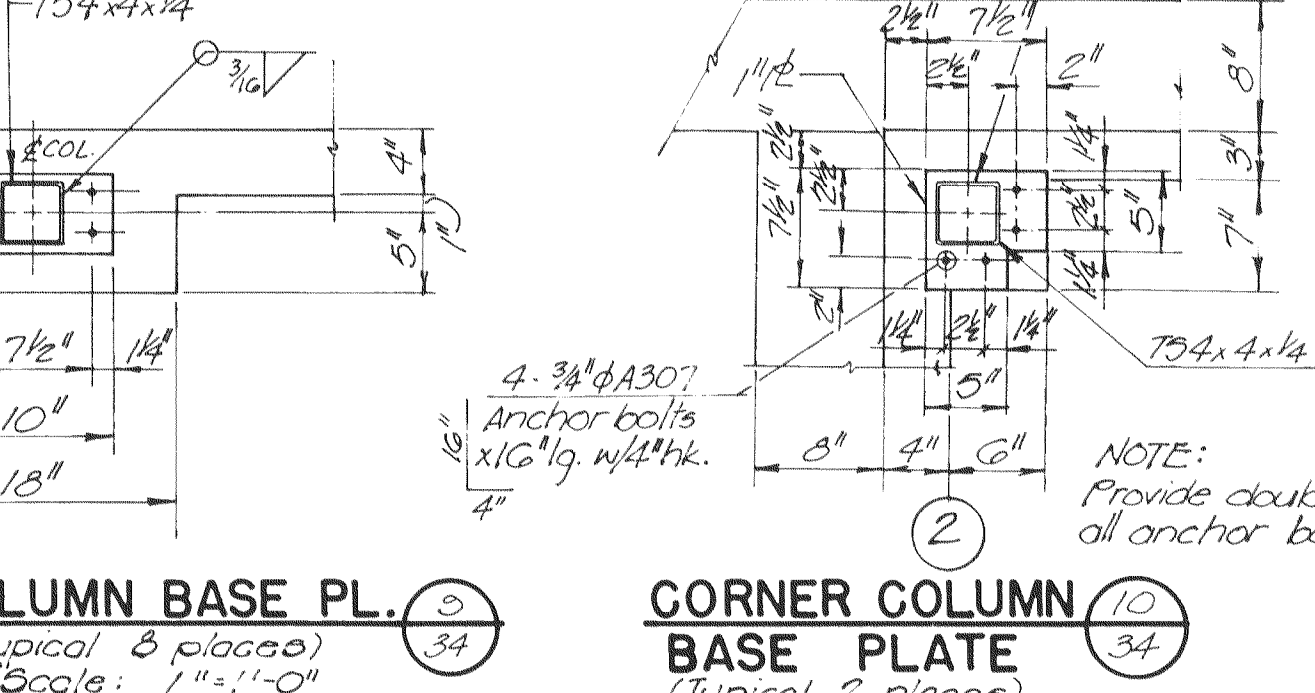
SECTION 6
Scale: 3/4" = 1'-0"



KNEE BRACE DETAIL
Scale: 1/2" = 1'-0"



WALL SECTION
Scale: 3/4" = 1'-0"



COLUMN BASE PL.
Scale: 1" = 1'-0"

CORNER COLUMN BASE PLATE
Scale: 1" = 1'-0"

EPA PROJECT NO. C291090

GBA
GEORGE BUTLER ASSOCIATES
CONSULTING ENGINEERS/ARCHITECTS
LANDSCAPE ARCHITECTS/PLANNERS

OFFICES:
SUITE 305-A FAIRWAY OFFICE CENTER
4210 JOHNSON DRIVE / SHAWNEE MISSION / KANSAS 66205
1100 CITY CENTER SQUARE
1100 MAIN / KANSAS CITY - MISSOURI 64105
SUITE 134 LAKESIDE PLAZA II
6700 CORPORATE DRIVE / KANSAS CITY / MISSOURI 64120

WASTEWATER TREATMENT PLANT EXPANSION
BIO-FILTER COMPLEX-GARAGE
ROOF FRAMING PLAN & SECTIONS
CITY OF OFALLON, MISSOURI

DESIGNED BY JLS. DRAWN BY C. R. ... CHECKED BY MLS.

JOB NO. 80-2065
DATE 7/30/81
SCALE As shown
SHEET NO. 34 OF 88