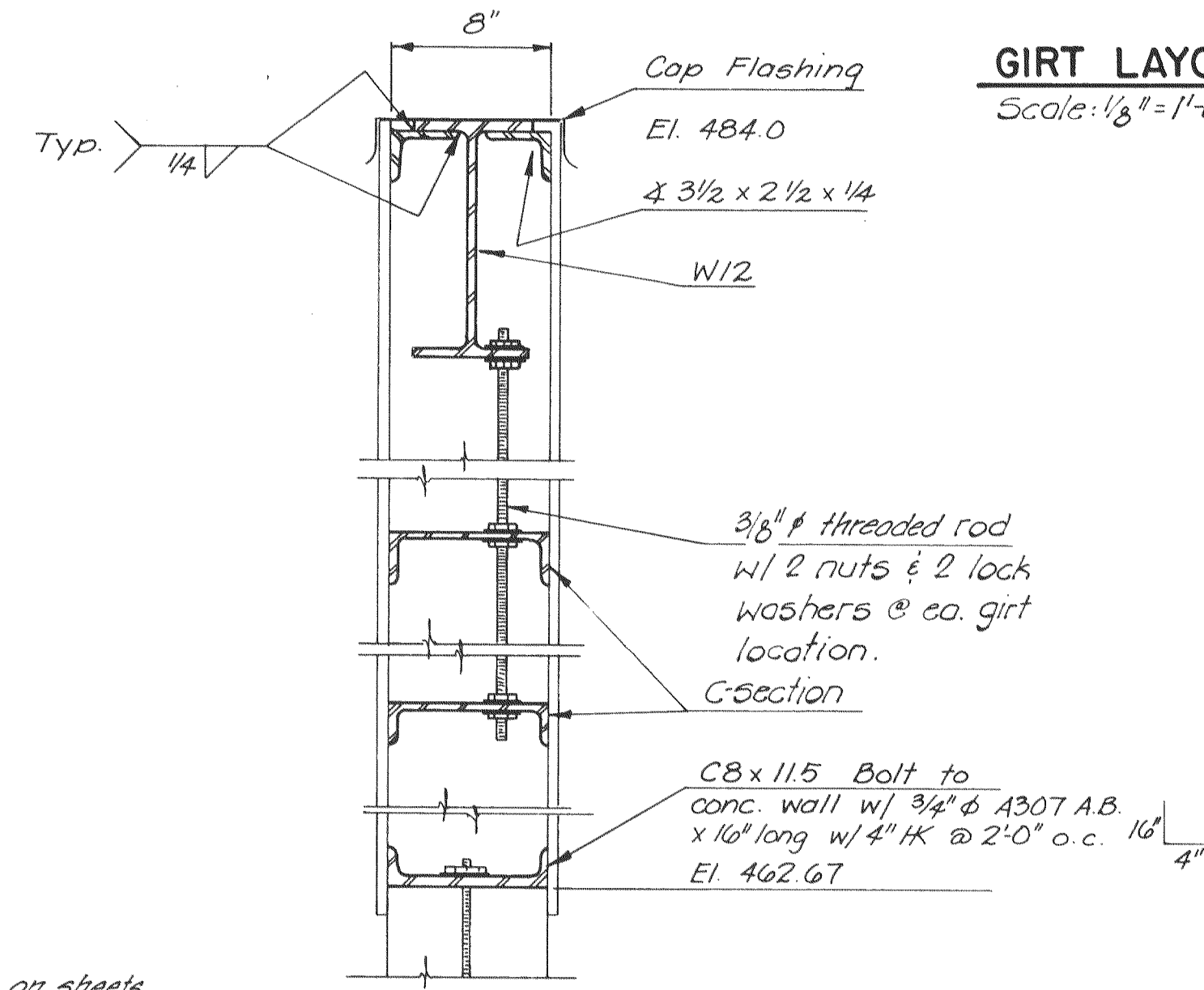
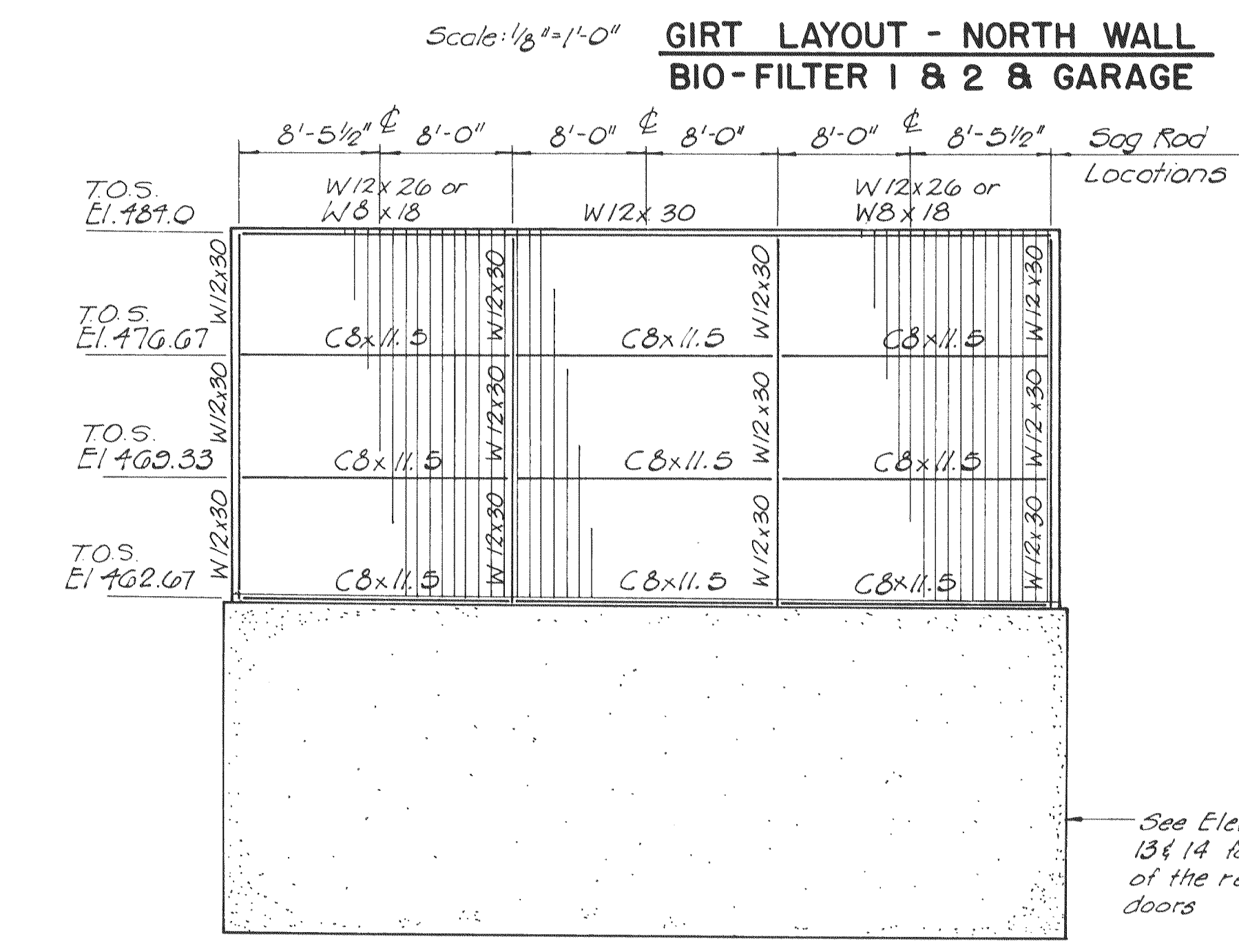


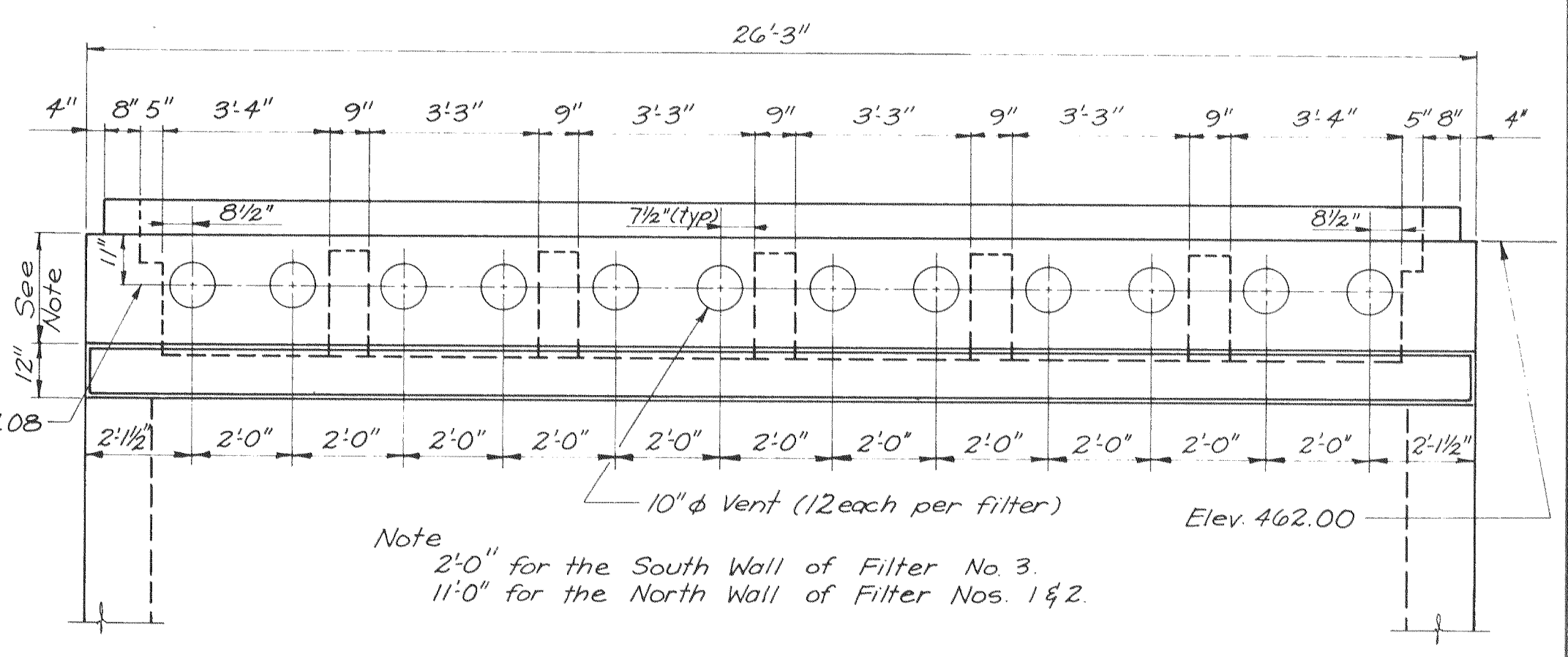
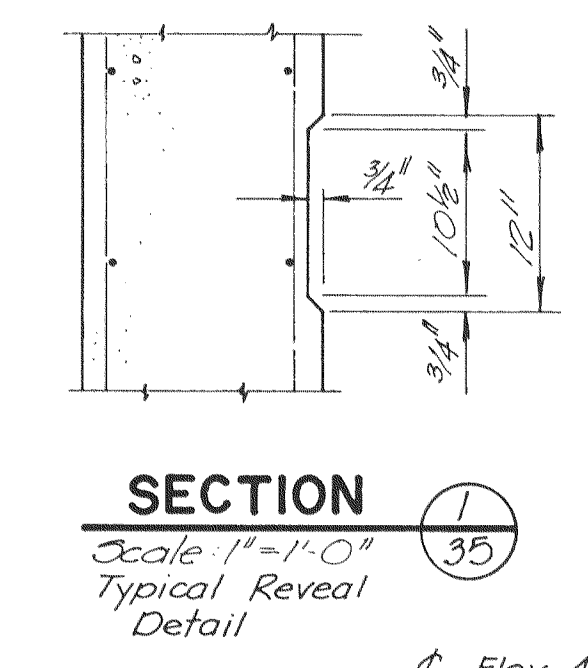
Note: Sag rods to be 3/8" φ



SAG ROD DETAIL
Scale: 1 1/2" = 1'-0"

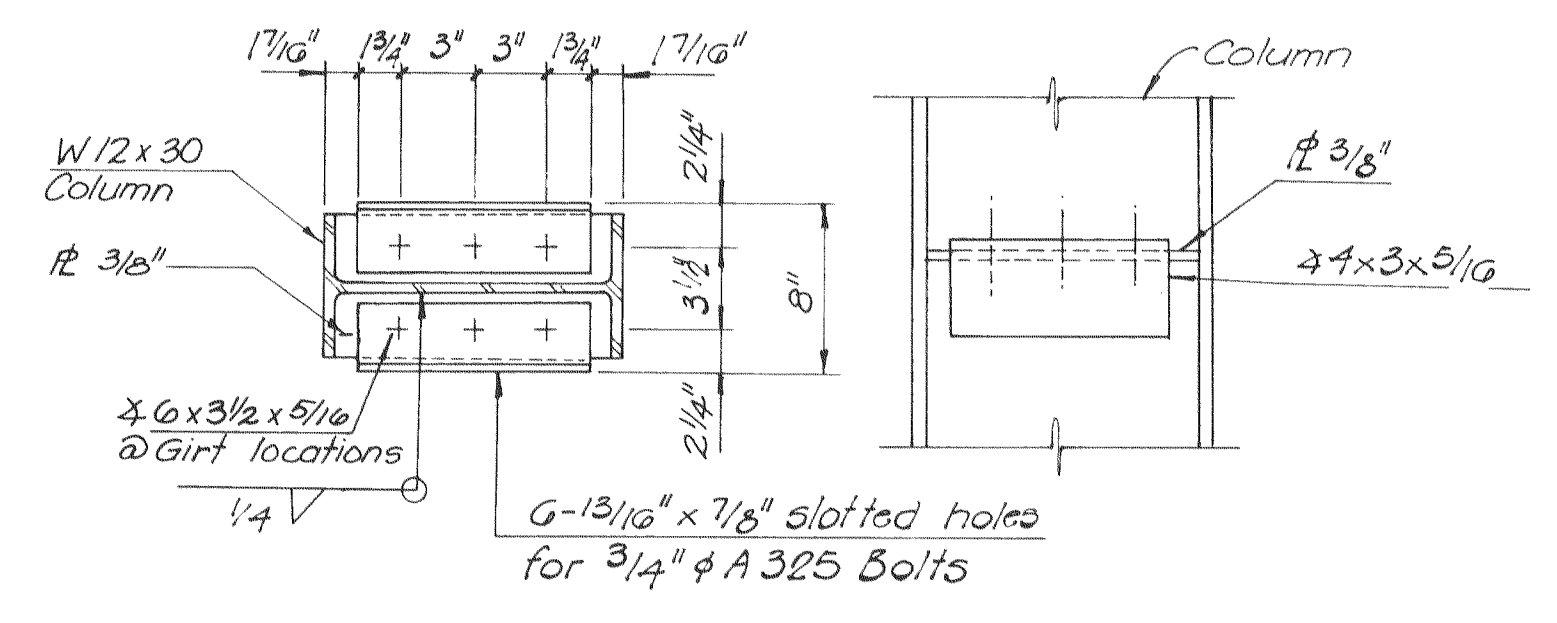
GIRT LAYOUT - EAST WALL BIO-FILTER NO. 1
WEST WALL BIO-FILTER NO. 2
Scale: 1/8" = 1'-0"

GIRT LAYOUT - SOUTH WALL BIO-FILTER NO. 1 & 2
NORTH & SOUTH WALL BIO-FILTER NO. 3
Scale: 1/8" = 1'-0"



VIEW A
Scale: 3/8" = 1'-0"

GIRT LAYOUT - WEST WALL BIO-FILTER NO. 1
EAST WALL BIO-FILTER NO. 2
EAST & WEST WALL BIO-FILTER NO. 3
Scale: 1/8" = 1'-0"



WALL PANEL ATTACHMENT TO COLUMN
Scale: 1 1/2" = 1'-0"

- Notes
1. For rigid frames and column layout, see sheet no. 33.
 2. Beams to support the garage bar joists are not shown.
 3. Piles are not shown for clarity.

EPA PROJECT NO. C291090

GBA
GEORGE BUTLER ASSOCIATES
CONSULTING ENGINEERS/ARCHITECTS
LANDSCAPE ARCHITECTS/PLANNERS

OFFICES:
SUITE 300-A FAIRWAY OFFICE CENTER
4210 JOHNSON DRIVE / SHAWNEE MISSION, KANSAS 66205
1100 CITY CENTER SQUARE
1100 MAIN / KANSAS CITY, MISSOURI 64105
SUITE 158 LAKESIDE PLAZA # 2
6100 CORPORATE DRIVE, KANSAS CITY, MISSOURI 64120

WASTEWATER TREATMENT PLANT EXPANSION
BIO-FILTER COMPLEX GIRT LAYOUT
CITY OF O'FALLON, MISSOURI

DESIGNED BY J.L.S. DRAWN BY N.Y. CHECKED BY M.L.S.

JOB NO. 79-2065
DATE July 30, 1981
SCALE As Noted
SHEET NO. 35 OF 88