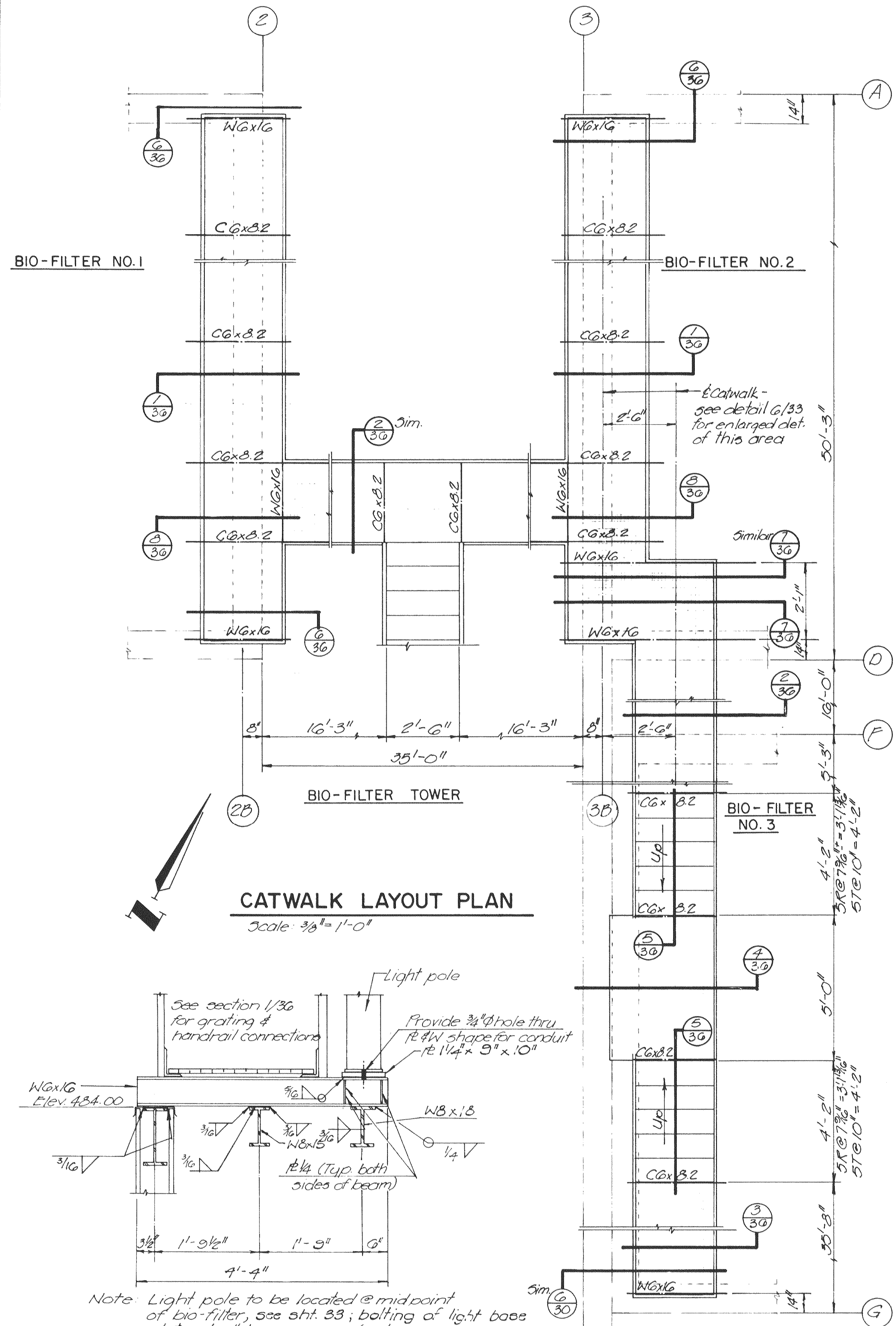
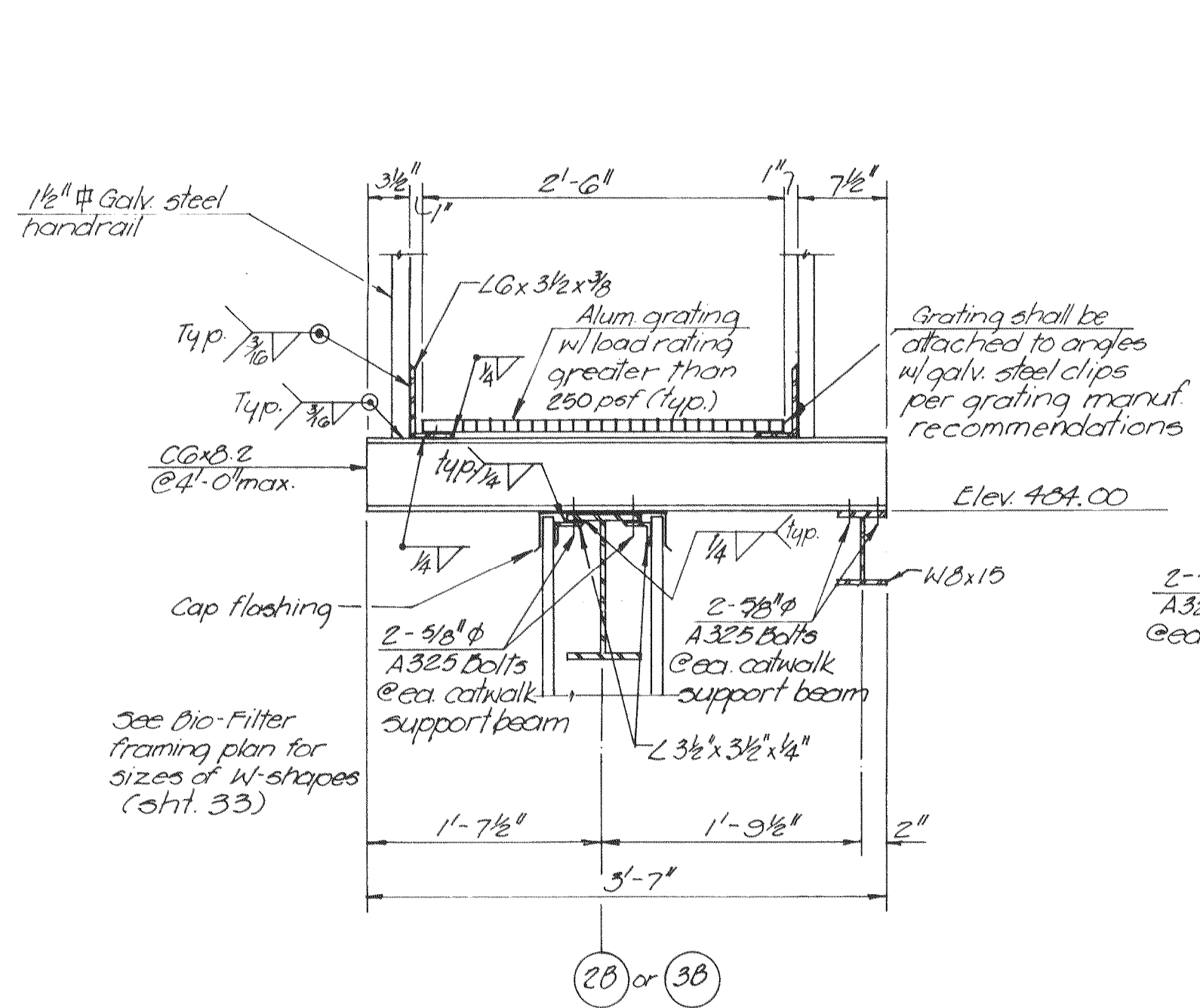


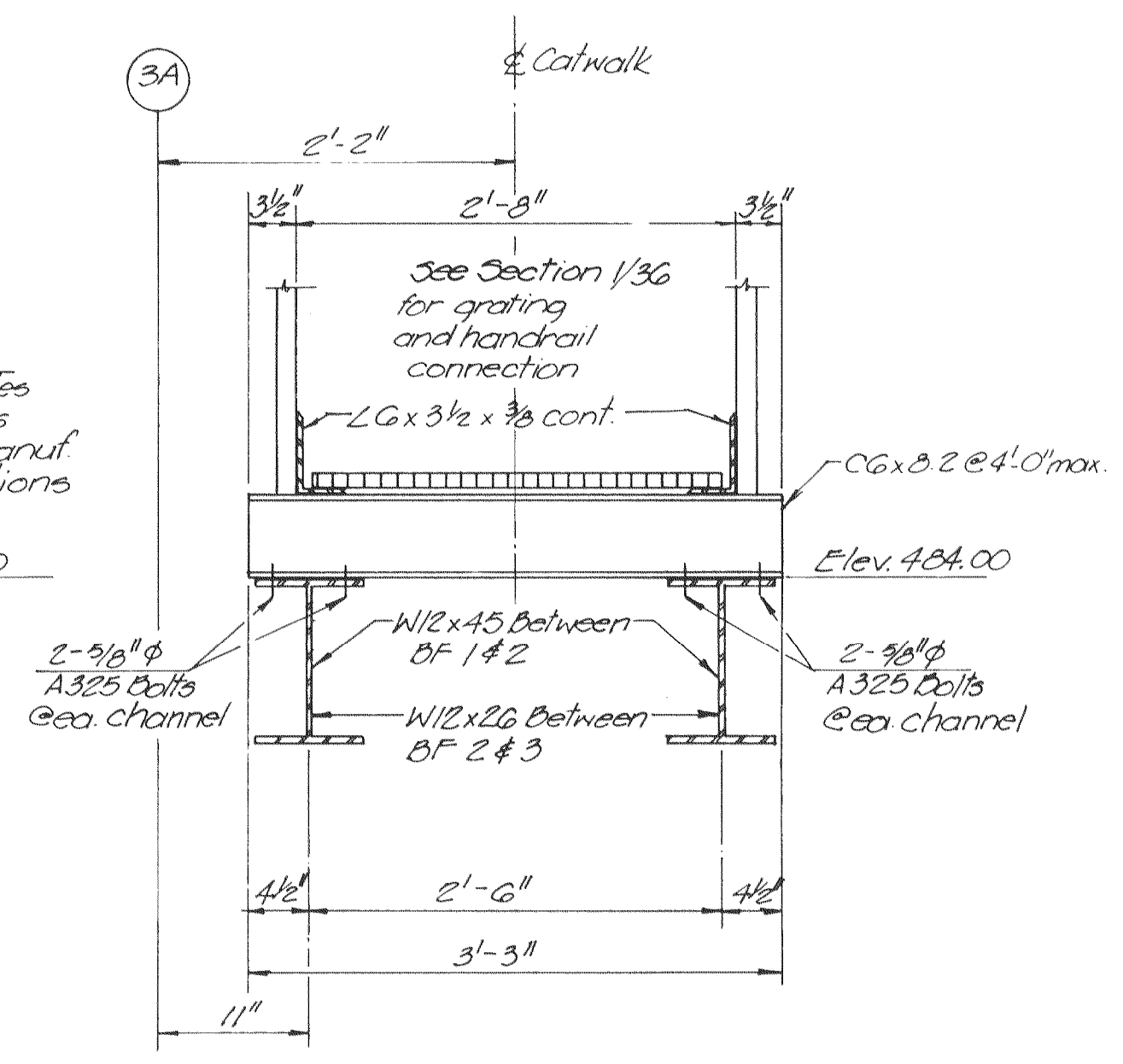
See sheet 33 for structural steel framing plan.



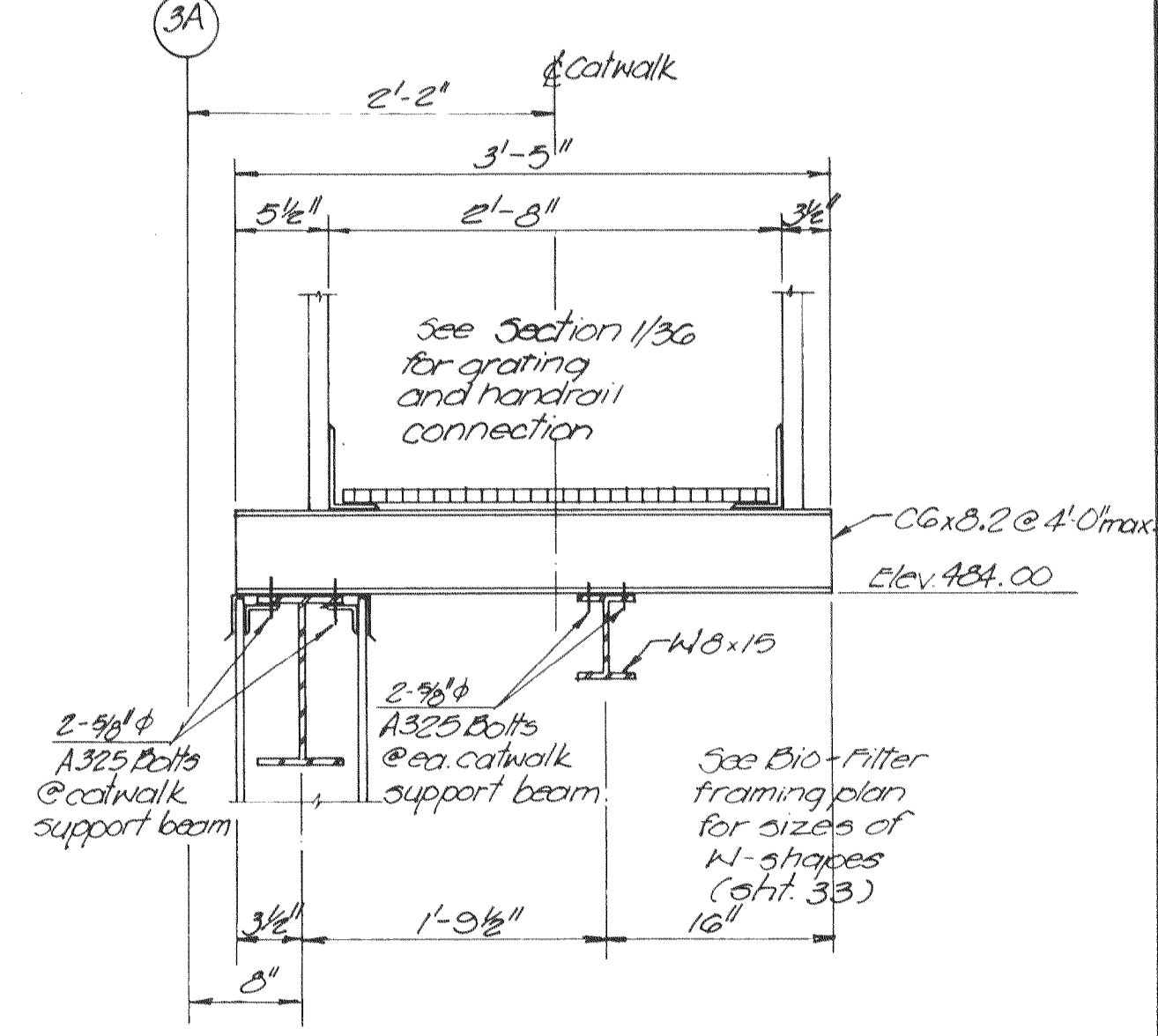
CATWALK LAYOUT PLAN
Scale: 3/8" = 1'-0"



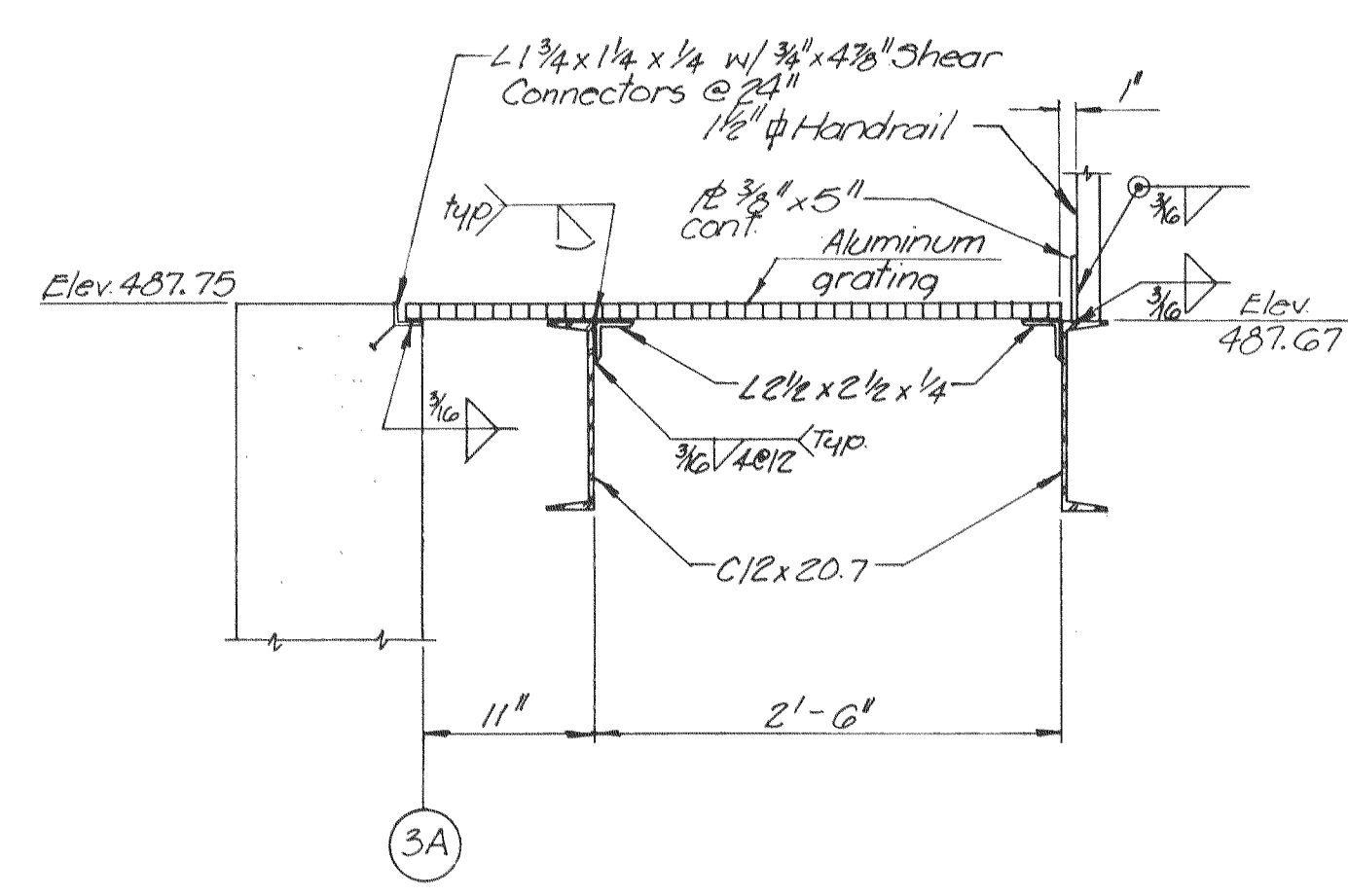
SECTION 1
Scale: 1" = 1'-0" 3/8"



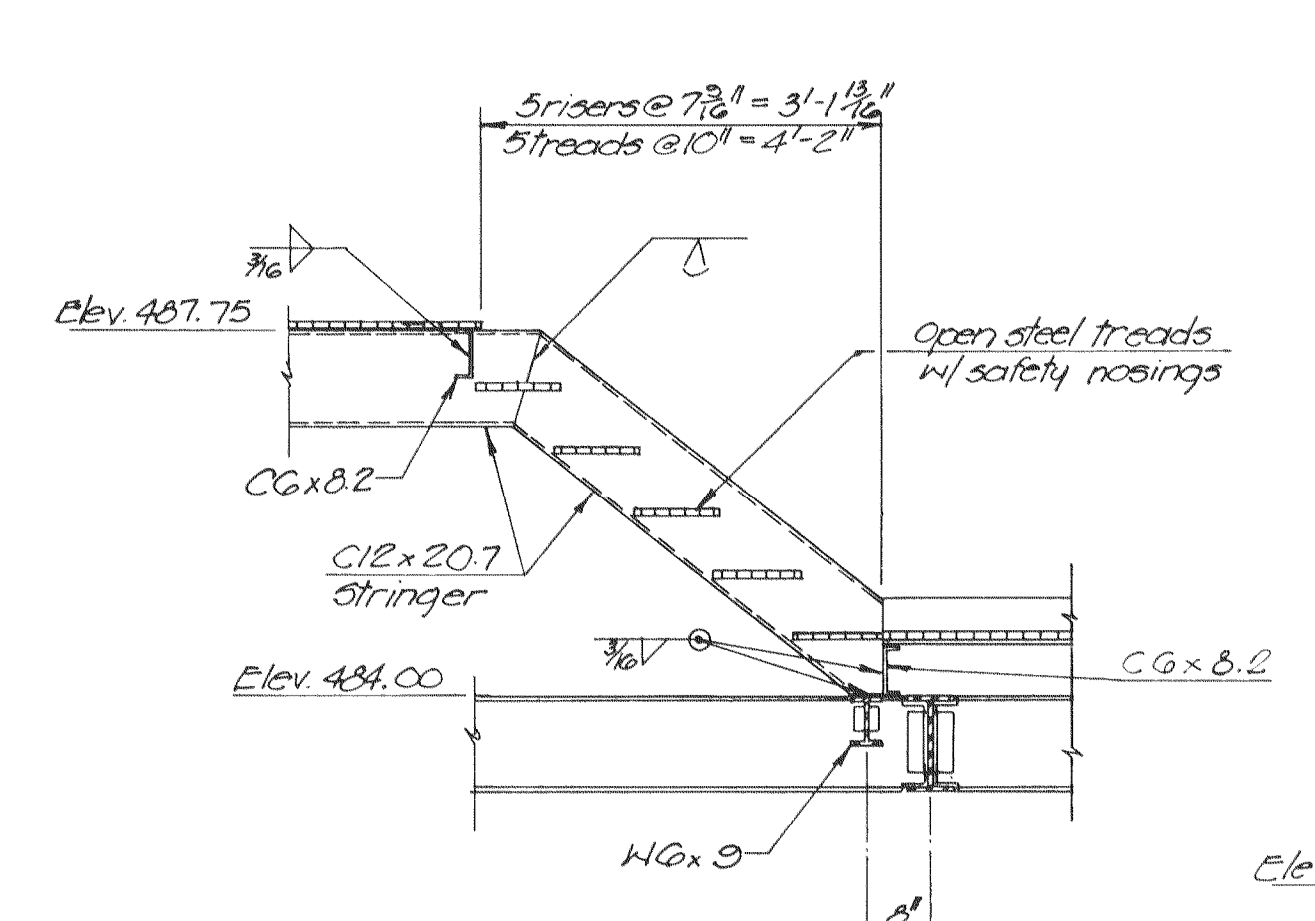
SECTION 2
Scale: 1" = 1'-0" 3/8"



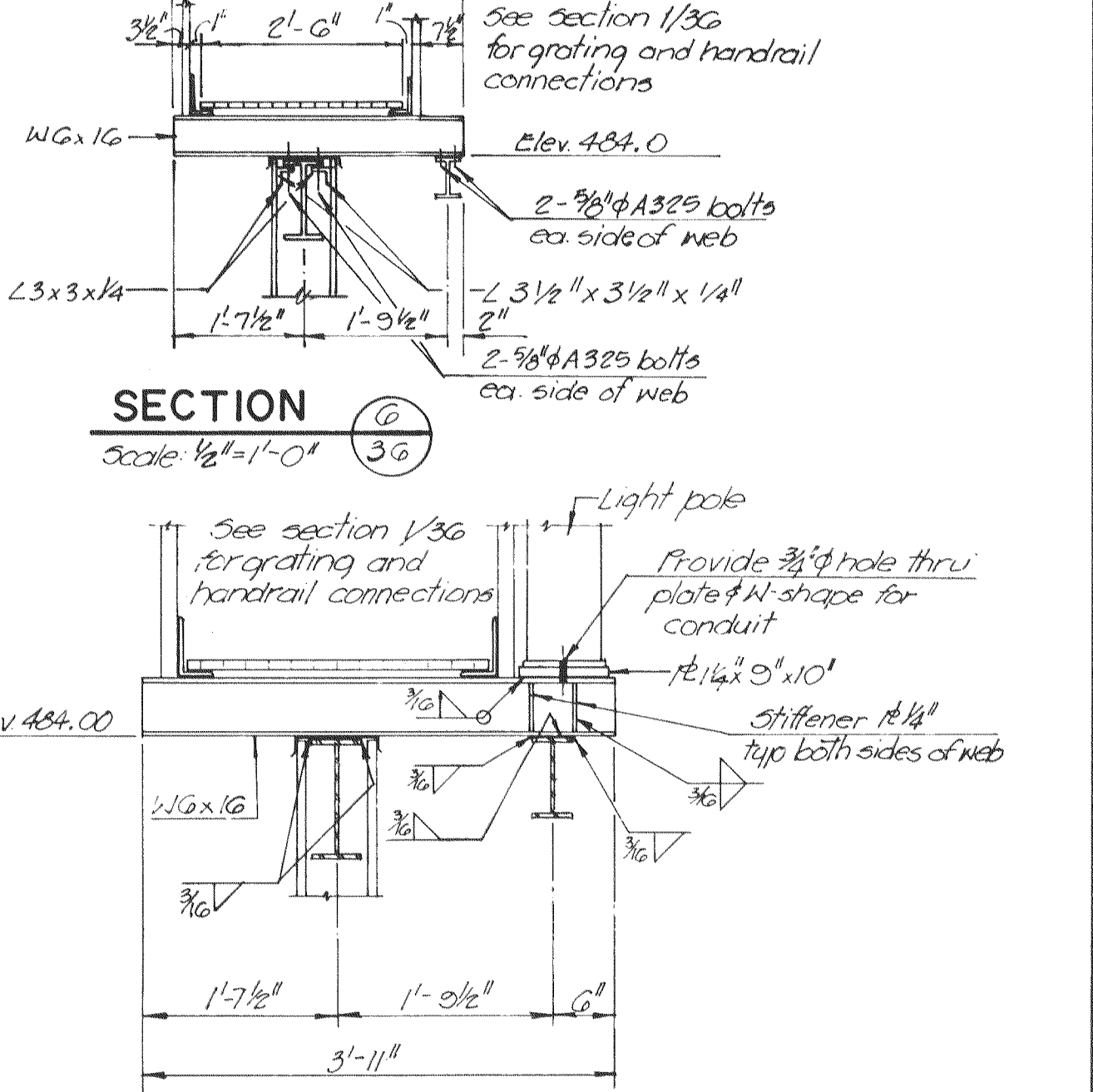
SECTION 3
Scale: 1" = 1'-0" 3/8"



SECTION 4
Scale: 1" = 1'-0" 3/8"



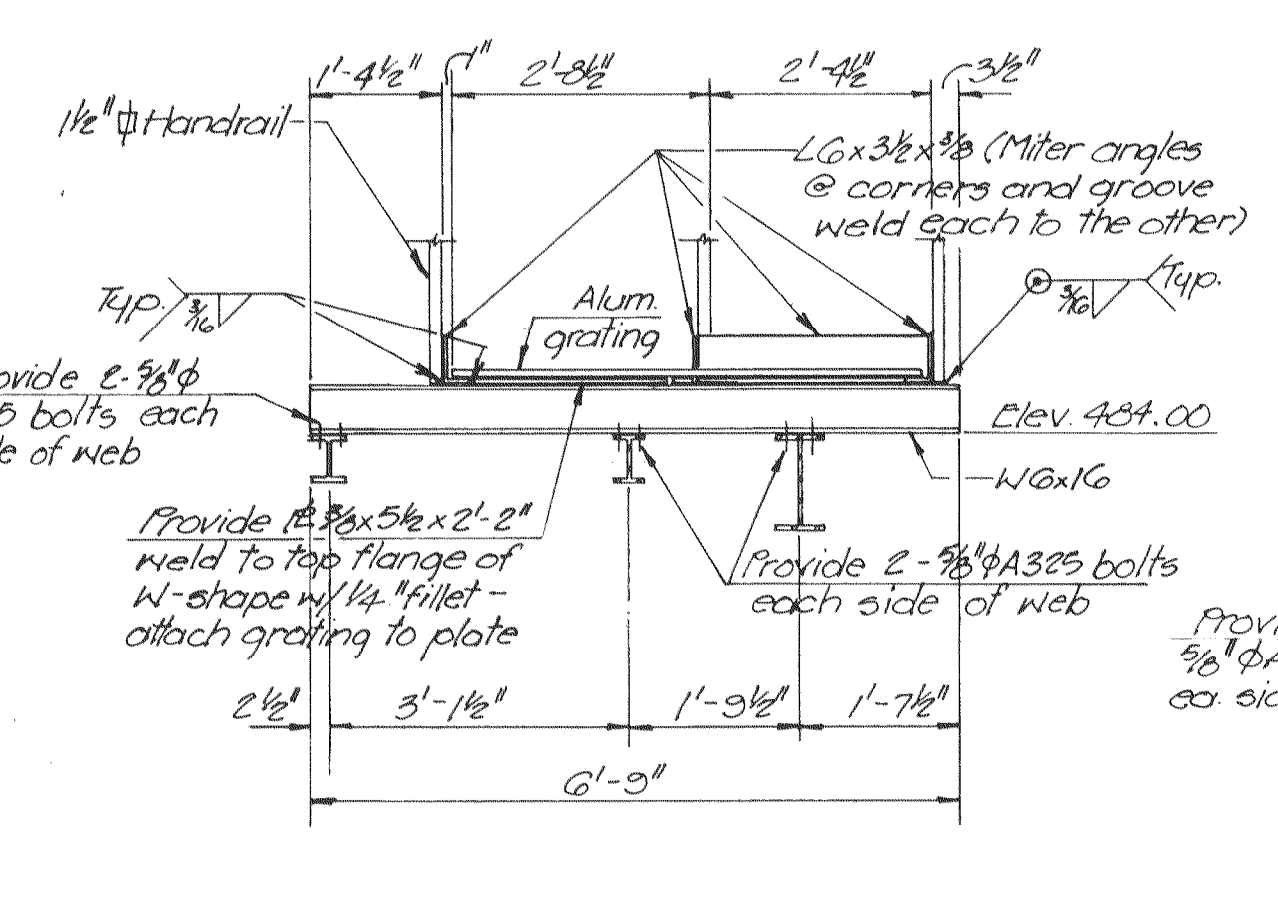
SECTION 5
Scale: 1/2" = 1'-0" 3/8"



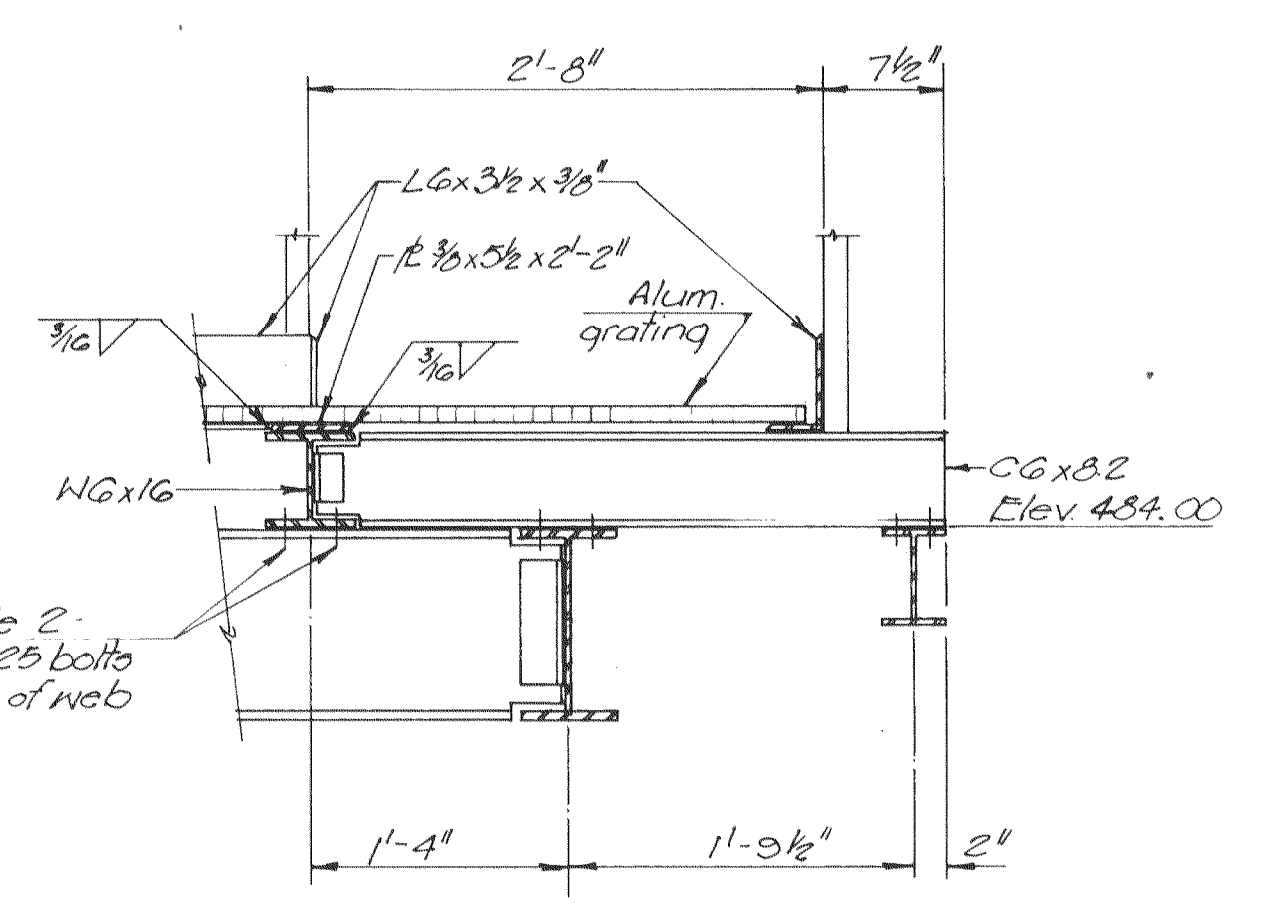
SECTION 6
Scale: 1/2" = 1'-0" 3/8"

LIGHT POLE CONNECTION BIO-FILTER 1 & 2
Scale: 3/4" = 1'-0" 3/8"

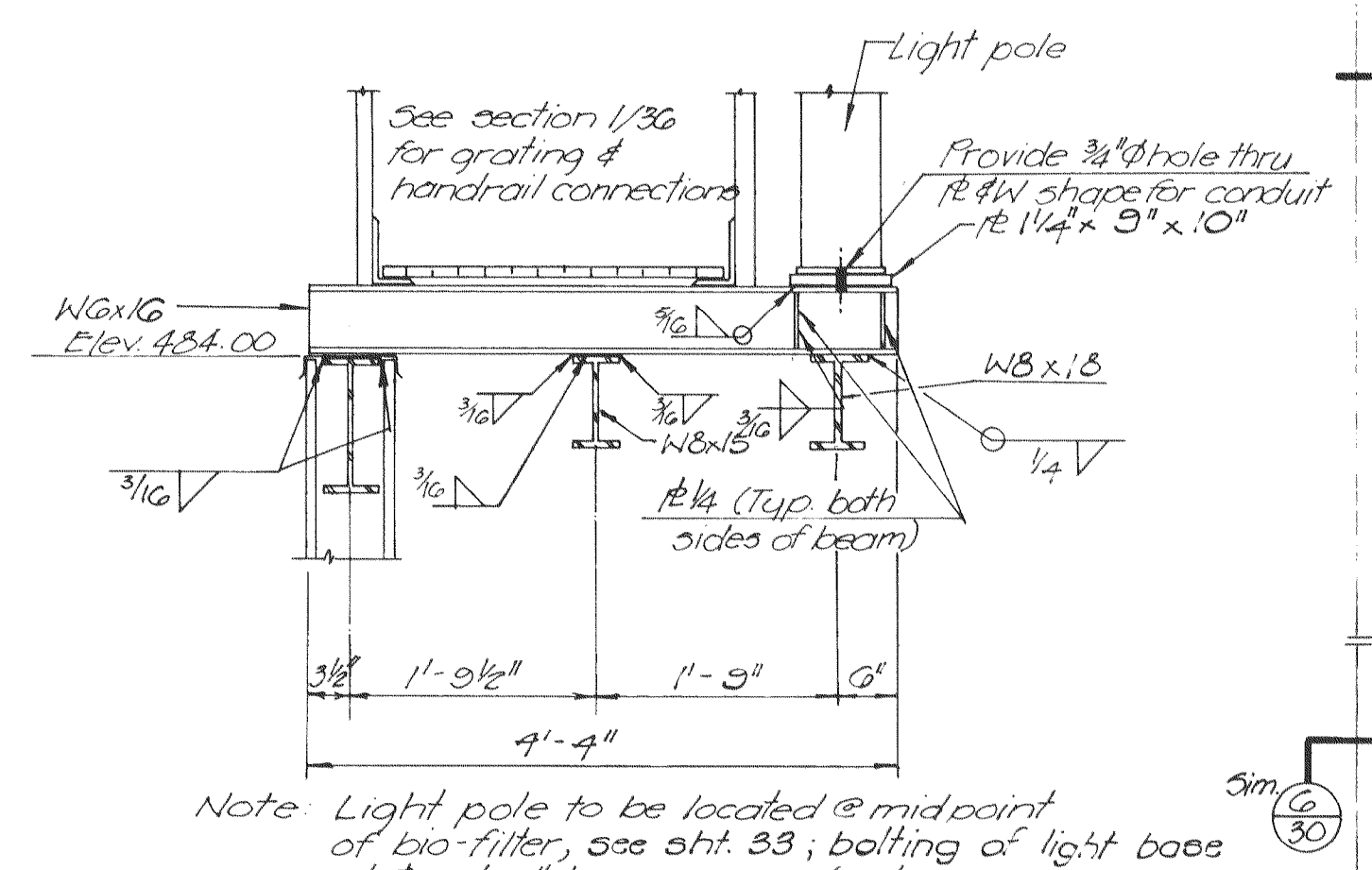
Note: Light pole to be located @ midpoint of bio-filter, (No. 142) bolting of light pole to base plate shall be per manufacturers instructions.



SECTION 7
Scale: 1/2" = 1'-0" 3/8"



SECTION 8
Scale: 1" = 1'-0" 3/8"



LIGHT POLE CONNECTION BIO-FILTER 3
Scale: 3/4" = 1'-0" 3/8"

Note: Light pole to be located @ midpoint of bio-filter, see sht. 33, bolting of light base plate shall be per manufacturers instructions.

EPA PROJECT NO. C29109G

GBA
GEORGE BUTLER ASSOCIATES
CONSULTING ENGINEERS/ARCHITECTS
LANDSCAPE ARCHITECTS/PLANNERS

OFFICES:
SUITE 305-A FAIRWAY OFFICE CENTER
4210 JOHNSON DRIVE / SHAWNEE MISSION / KANSAS 66205
1100 CITY CENTER SQUARE
1100 MAIN / KANSAS CITY / MISSOURI 64105
SUITE 134 LAKESIDE PLAZA
6700 CORPORATE DRIVE / KANSAS CITY / MISSOURI 64120

WASTE WATER TREATMENT
PLANT EXPANSION
BIO-FILTER COMPLEX
CATWALK PLAN & SECTIONS
CITY OF OFFALLON, MISSOURI

DESIGNED BY J.L.S. DRAWN BY C.ROYA CHECKED BY M.L.S.

JOB NO 75-2005
DATE July 30, 1981
SCALE As Noted
SHEET NO 36 OF 88