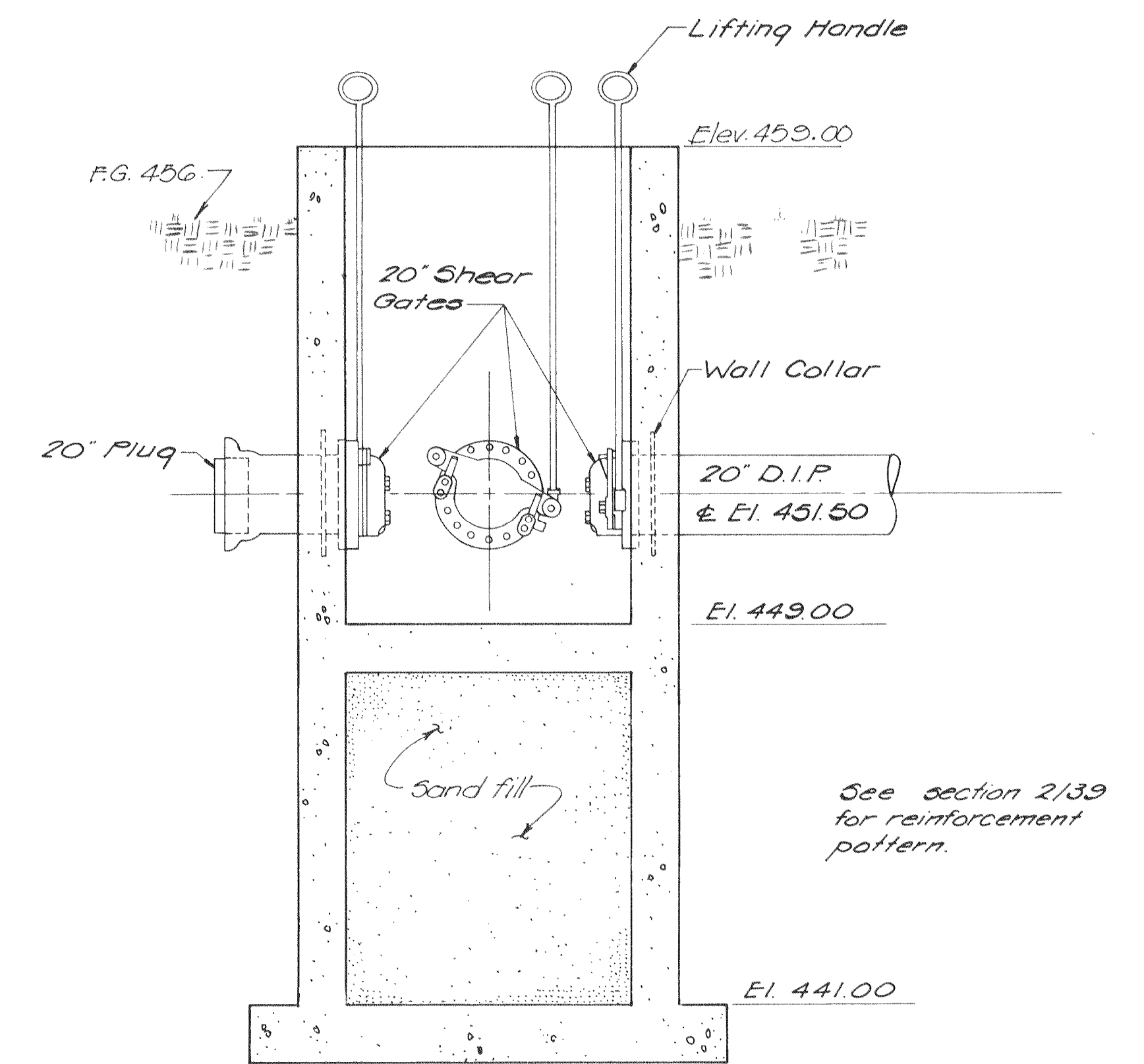
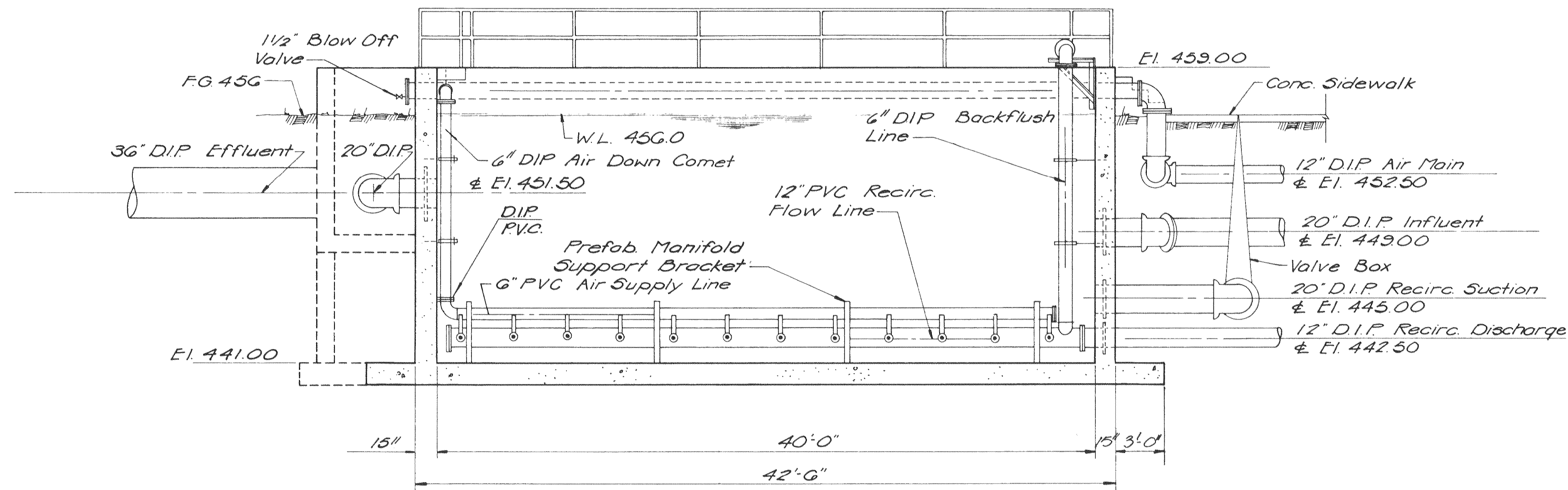


SECTION 1  
Scale: 3/16" = 1'-0"  
(Re sheet 37)



SECTION 3  
Scale: 3/8" = 1'-0"  
(Re sheet 37)



SECTION 2  
Scale: 3/16" = 1'-0"  
(Re sheet 37)

EPA PROJECT NO. C291090 Rev 2-82 MLL

**GBA**  
GEORGE BUTLER ASSOCIATES  
CONSULTING ENGINEERS/ARCHITECTS  
LANDSCAPE ARCHITECTS/PLANNERS

**OFFICES:**  
SUITE 305-A FAIRWAY OFFICE CENTER  
4210 JOHNSON DRIVE / SHAWNEE MISSION, KANSAS 66205  
1100 CITY CENTER SQUARE  
1100 MAIN / KANSAS CITY, MISSOURI 64105  
SUITE 134 LAKESIDE PLAZA II  
6700 CORPORATE DRIVE / KANSAS CITY, MISSOURI 64120

WASTEWATER TREATMENT  
PLANT EXPANSION  
AERATION TANK  
SECTIONS  
CITY OF OFFALLON, MISSOURI

JOB NO. 79-2065  
DATE July 30, 1981  
SCALE As shown  
SHEET NO. 38 of 88

DESIGNED BY W. C. C. DRAWN BY SPW CHECKED BY W. A. C.