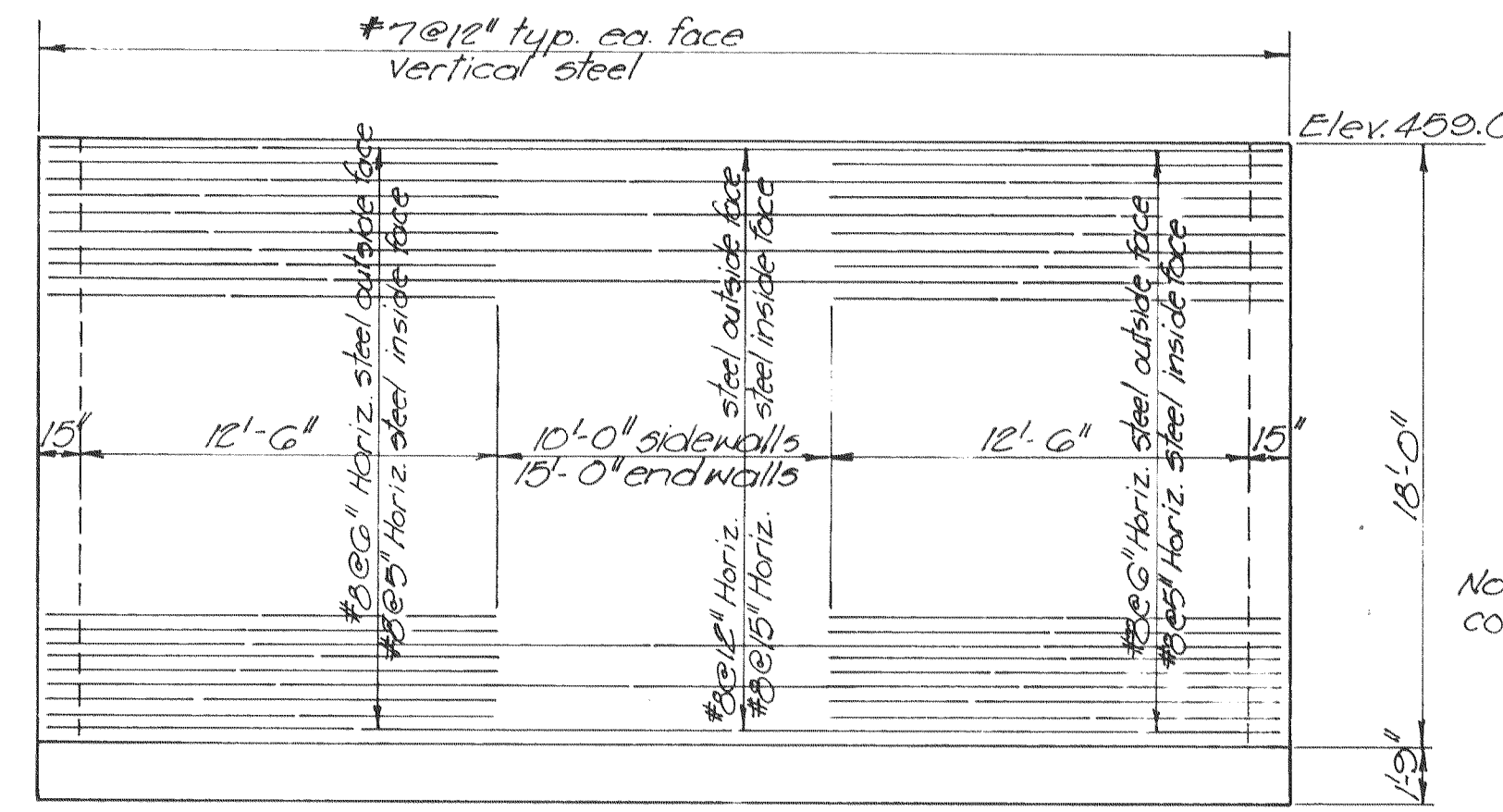
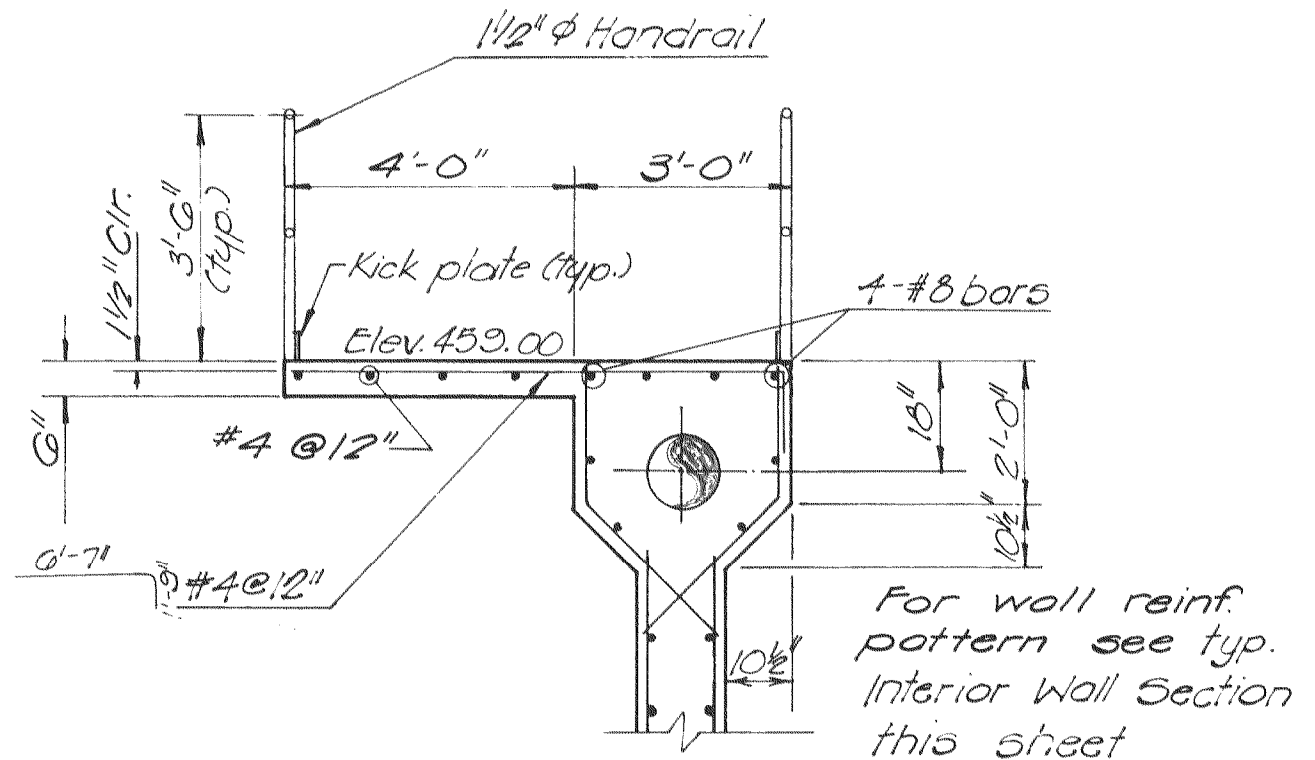


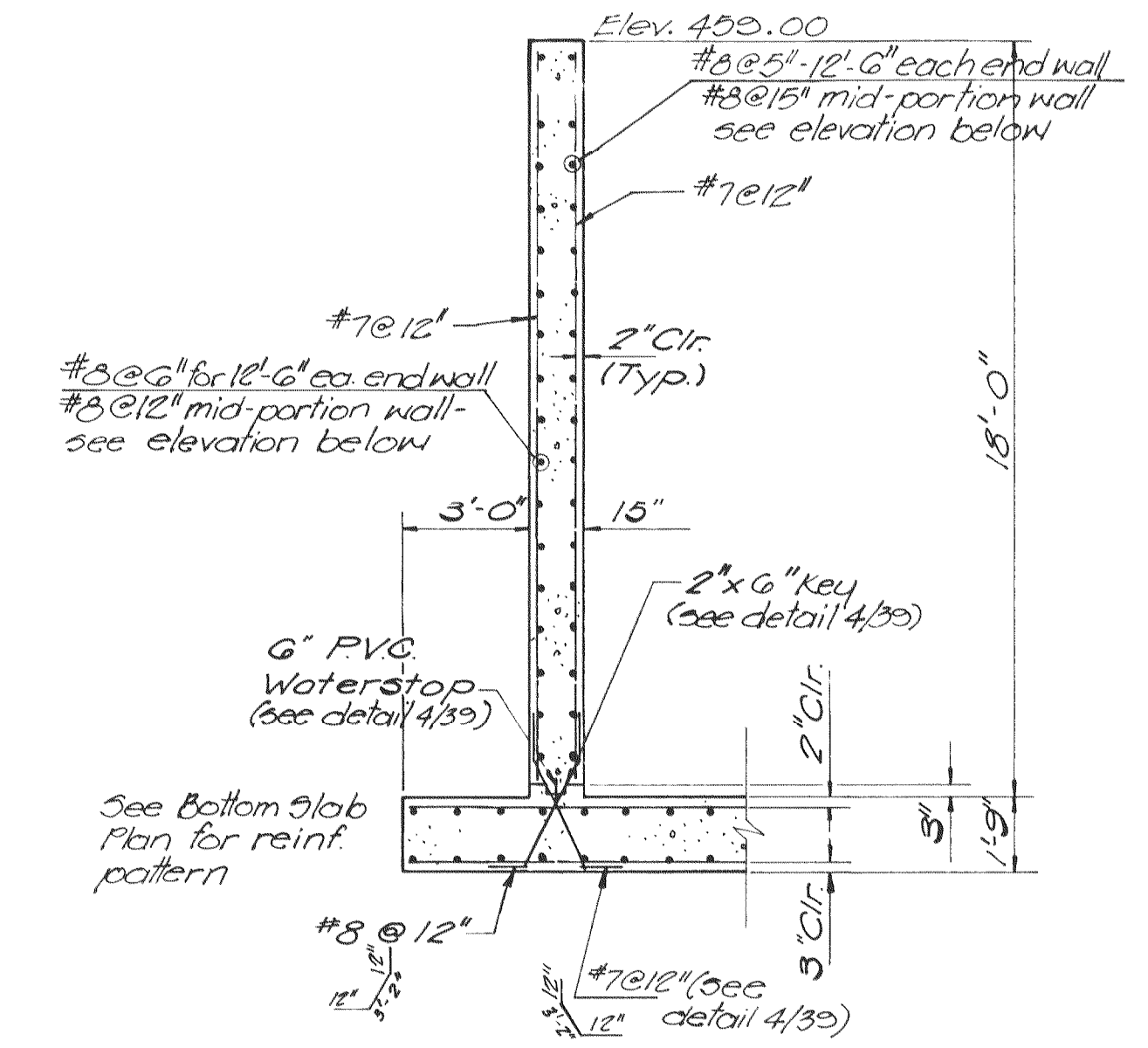
BOTTOM SLAB PLAN
Scale: 3/16" = 1'-0"



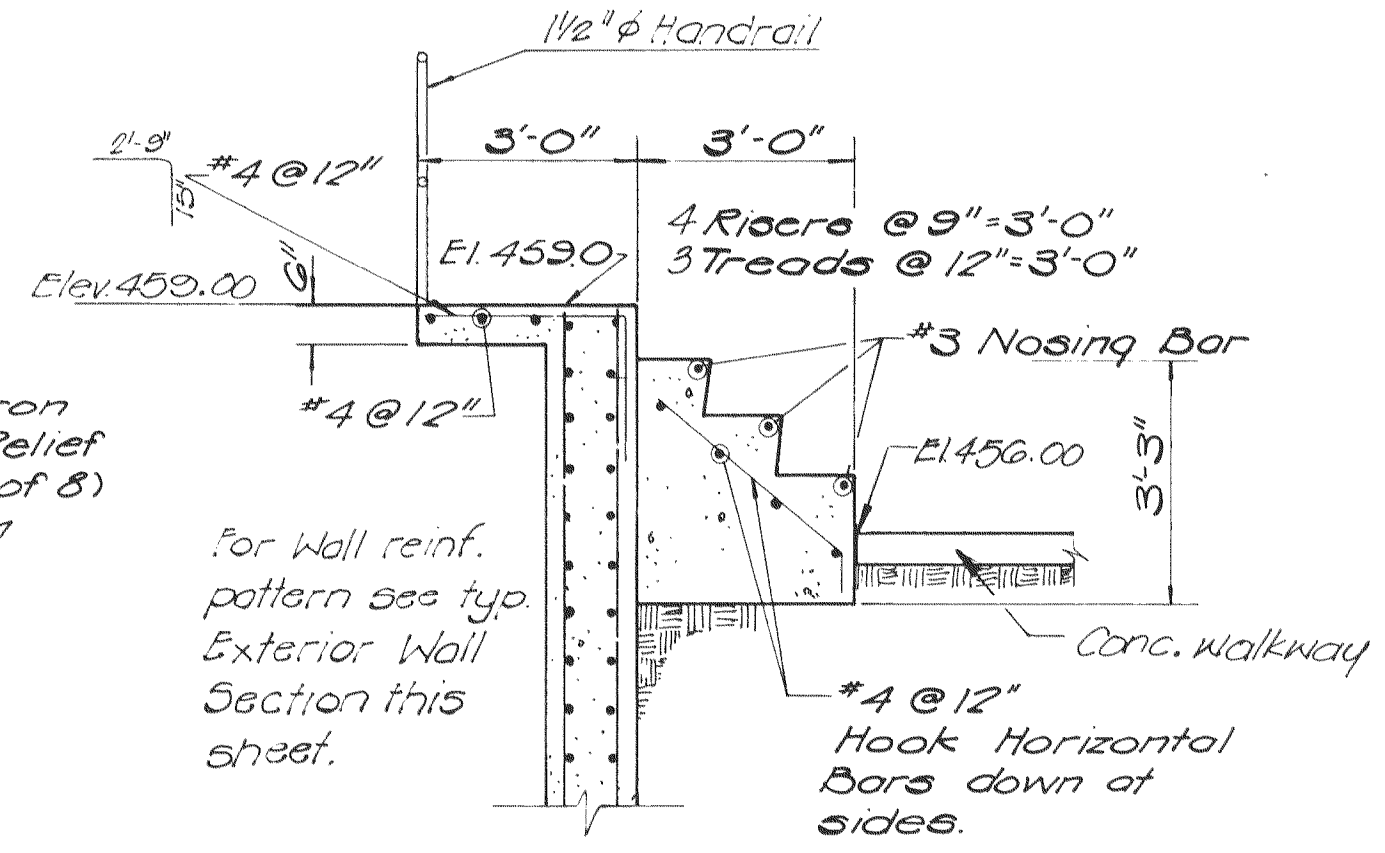
ELEVATION-TYPICAL WALL REINFORCING PATTERN
not to scale



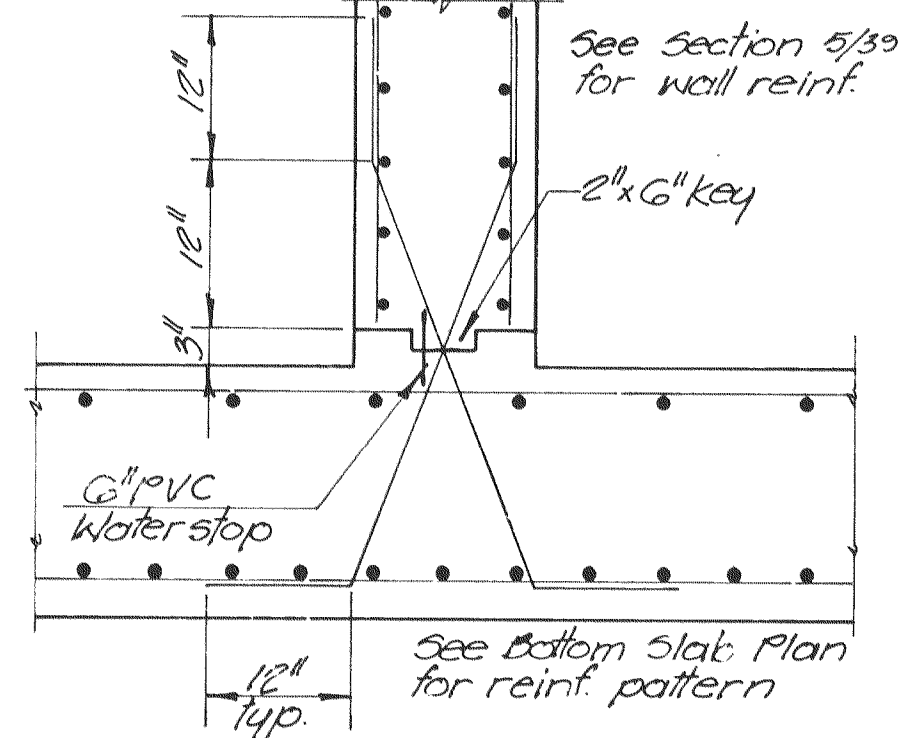
SECTION 3
Scale: 3/8" = 1'-0"



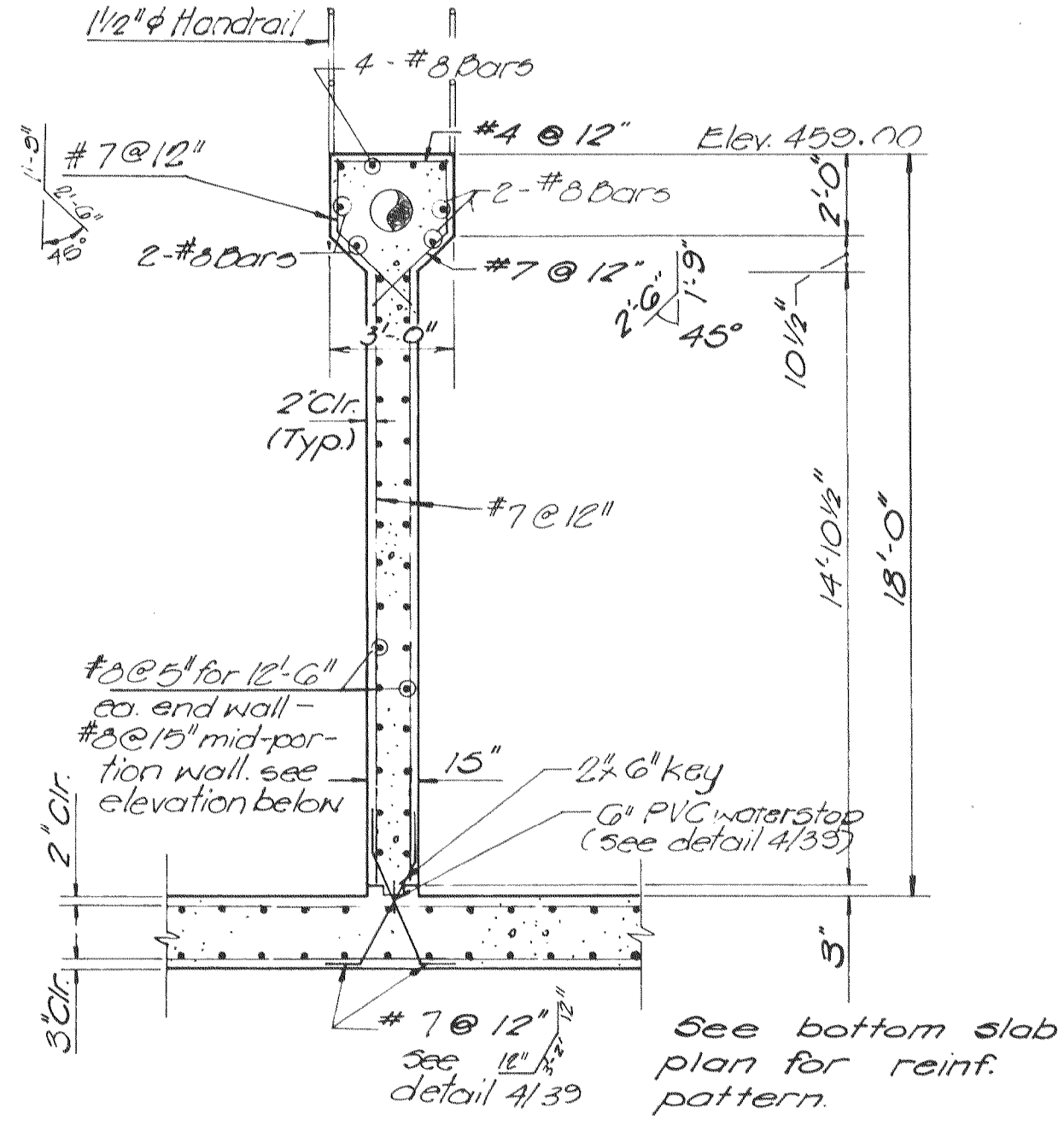
TYPICAL EXTERIOR WALL SECTION
Scale: 1/4" = 1'-0"



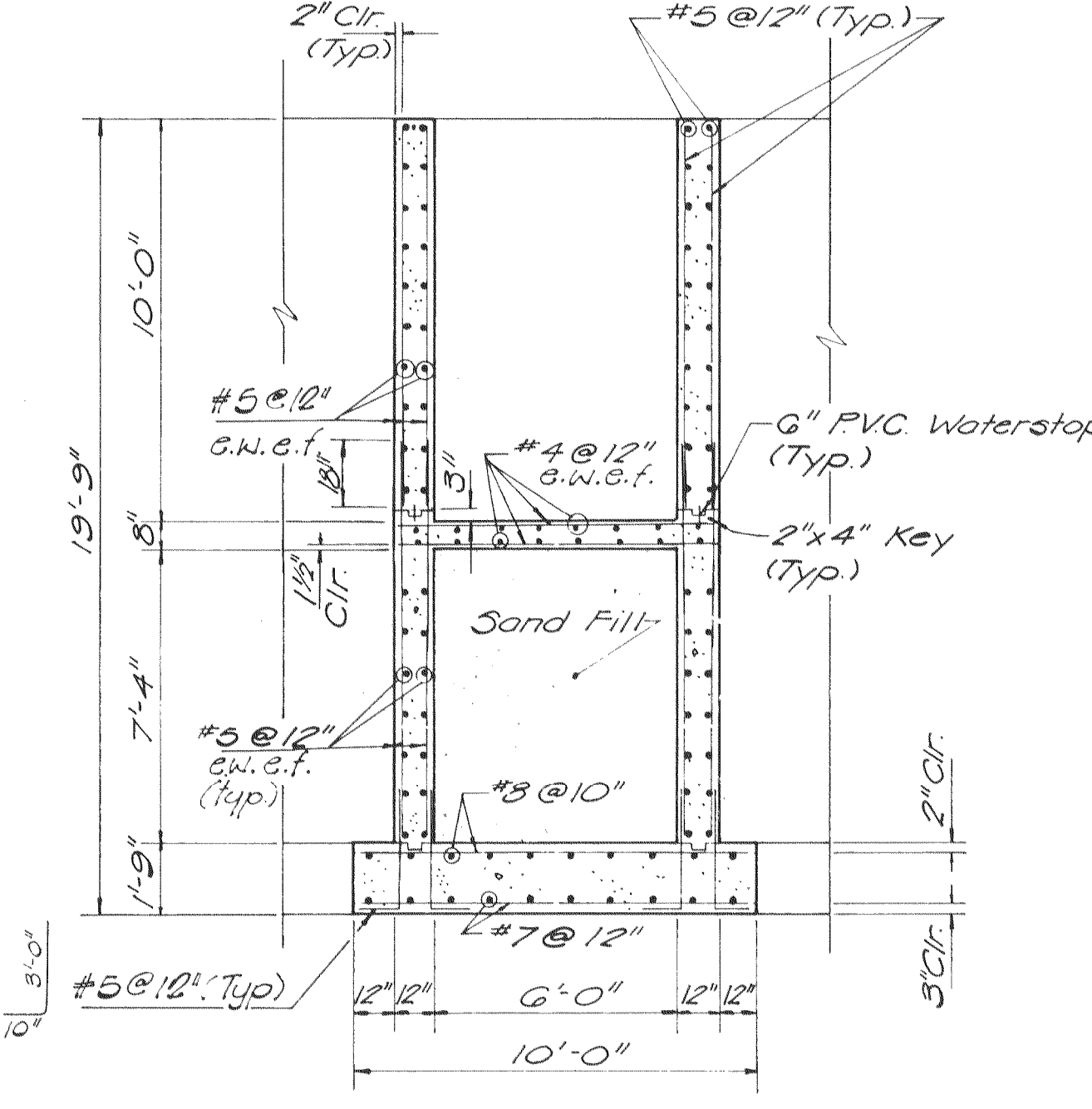
SECTION 1
Scale: 3/8" = 1'-0" (Re. sh. 37)



SECTION 4
Scale: 3/8" = 1'-0"



TYPICAL INTERIOR WALL SECTION
Scale: 1/4" = 1'-0"



SECTION 2
Scale: 1/4" = 1'-0" (Re. sh. 37)

EPA PROJECT NO. C291090

GBA
GEORGE BUTLER ASSOCIATES
CONSULTING ENGINEERS / ARCHITECTS
LANDSCAPE ARCHITECTS / PLANNERS

OFFICES:
SUITE 305-A FAIRWAY OFFICE CENTER
4210 JOHNSON DRIVE / SHAWNEE MISSION / KANSAS 66205
1100 CITY CENTER SQUARE
1100 MAIN / KANSAS CITY / MISSOURI 64105
SUITE 134 LAKESIDE PLAZA II
6700 CORPORATE DRIVE / KANSAS CITY / MISSOURI 64120

WASTEWATER TREATMENT PLANT EXPANSION
AERATION TANKS
STRUCTURAL PLAN & SECTIONS
CITY OF O'FALLON, MISSOURI

JOB NO 77-2065
DATE July 30, 1981
SCALE As shown
SHEET NO 39 OF 88

DESIGNED BY J.L.S. DRAWN BY S.P.W. CHECKED BY M.L.S.