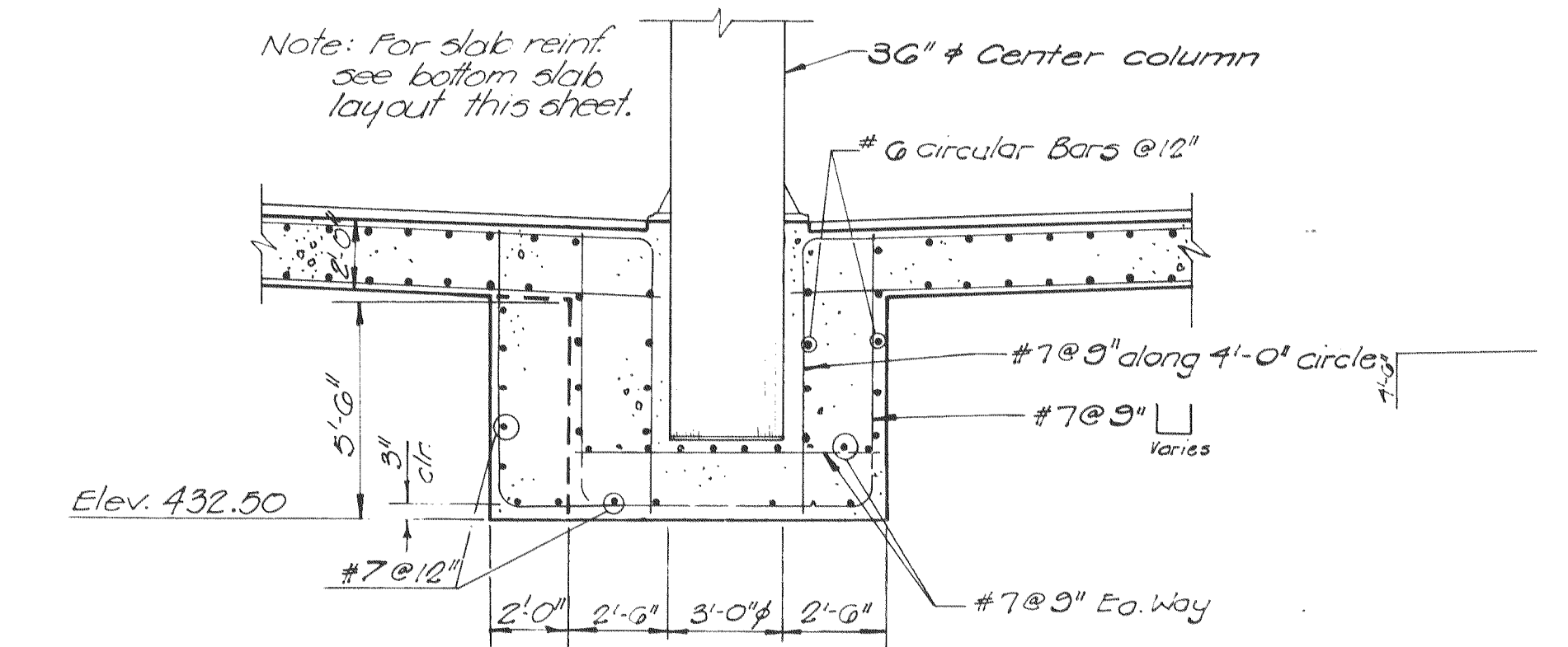
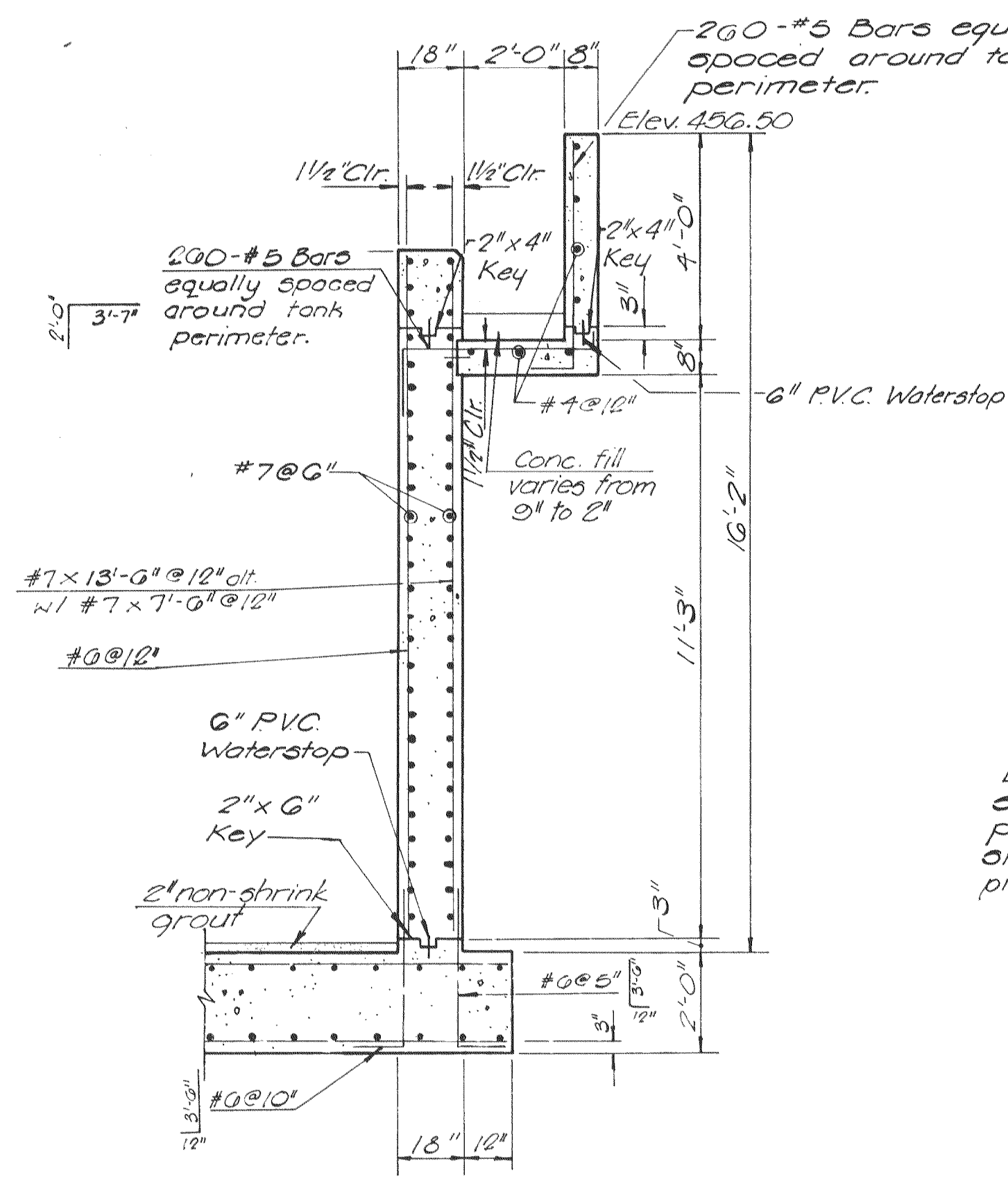


FINAL CLARIFIER - BOTTOM SLAB LAYOUT
Scale: 3/32" = 1'-0"

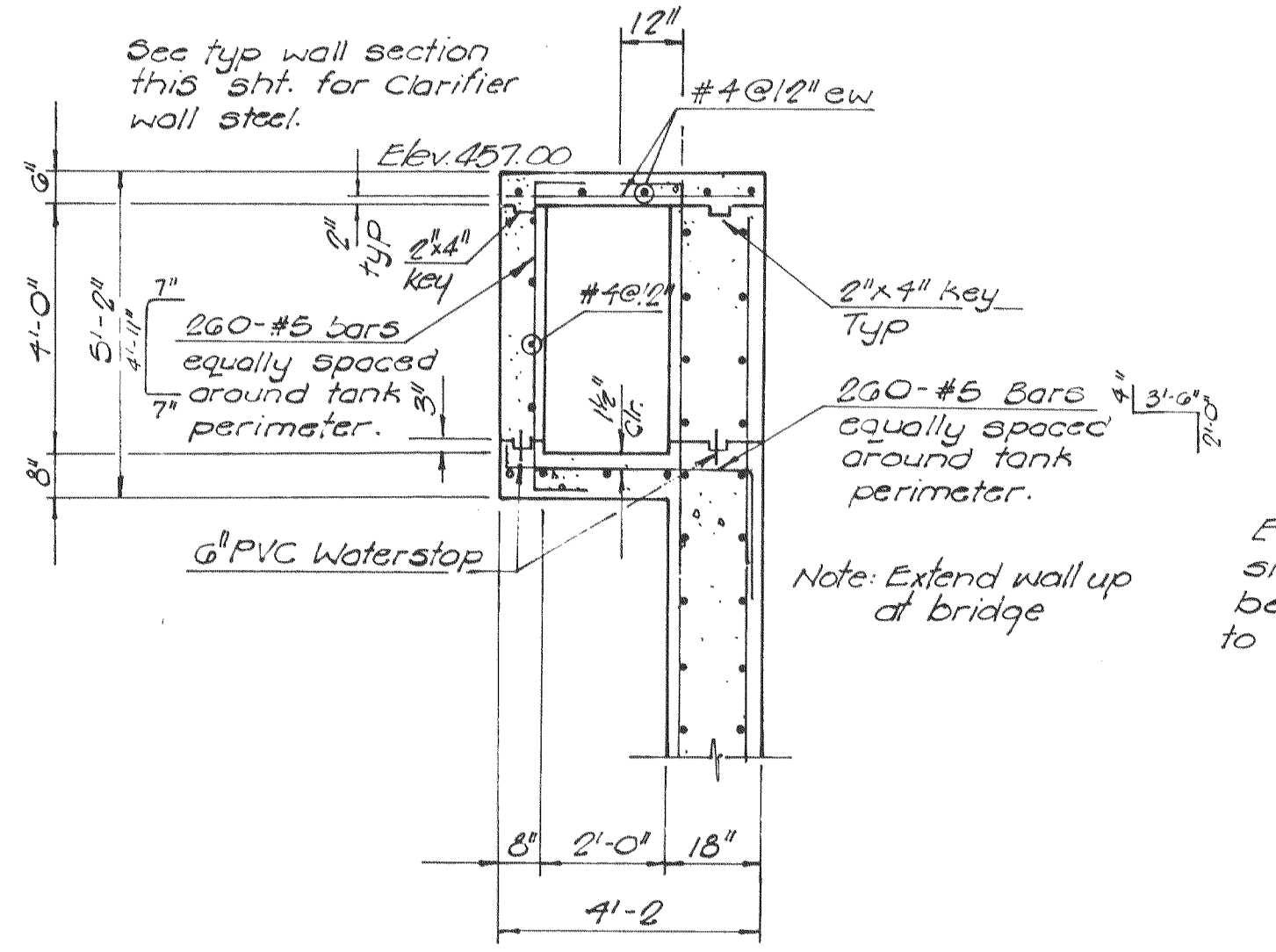


CENTER SECTION (A)
Scale: 1/4" = 1'-0"

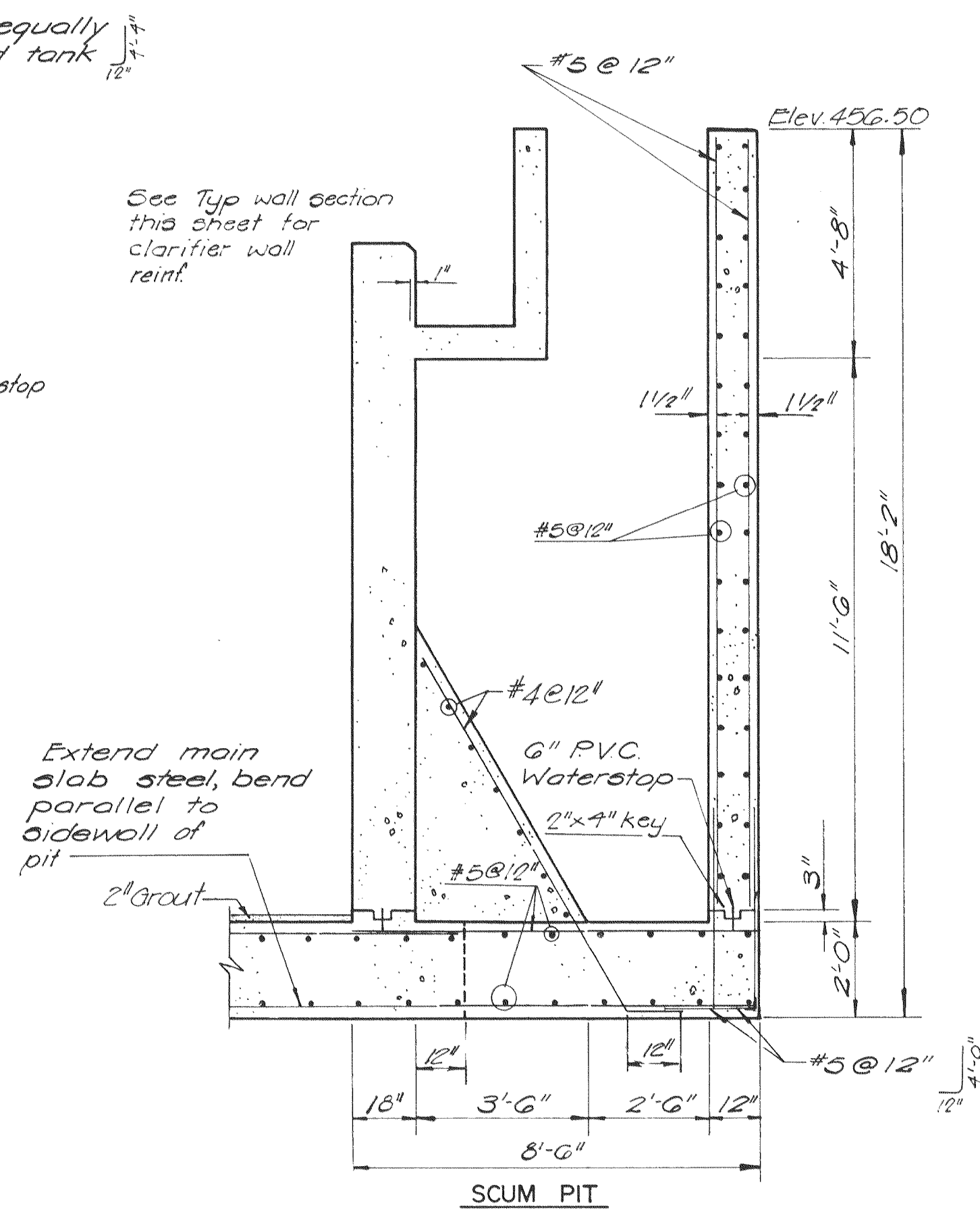


Note: See slab reinf. plan for bottom slab steel layout.

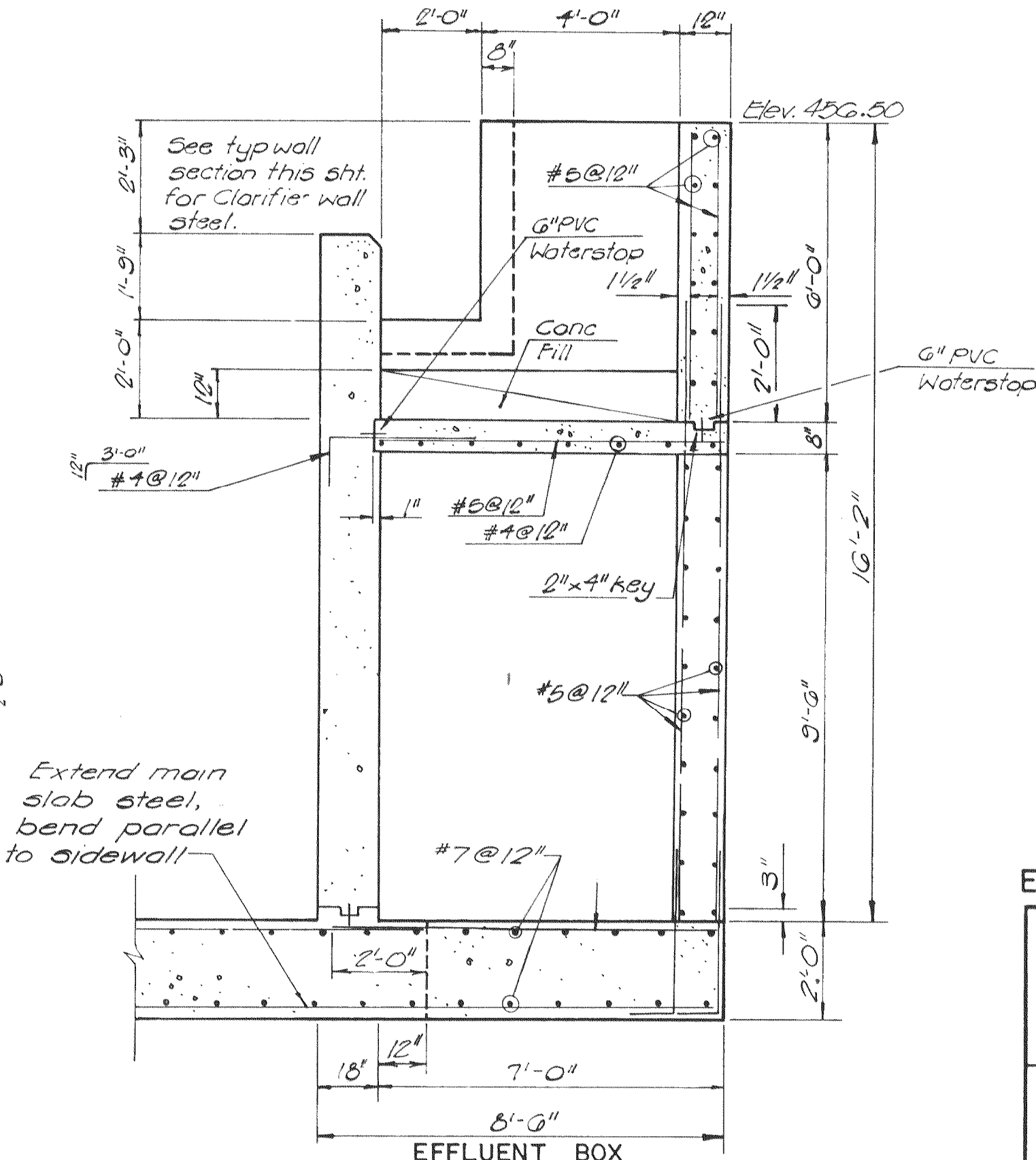
TYPICAL WALL SECTION (1)
Scale: 3/8" = 1'-0"



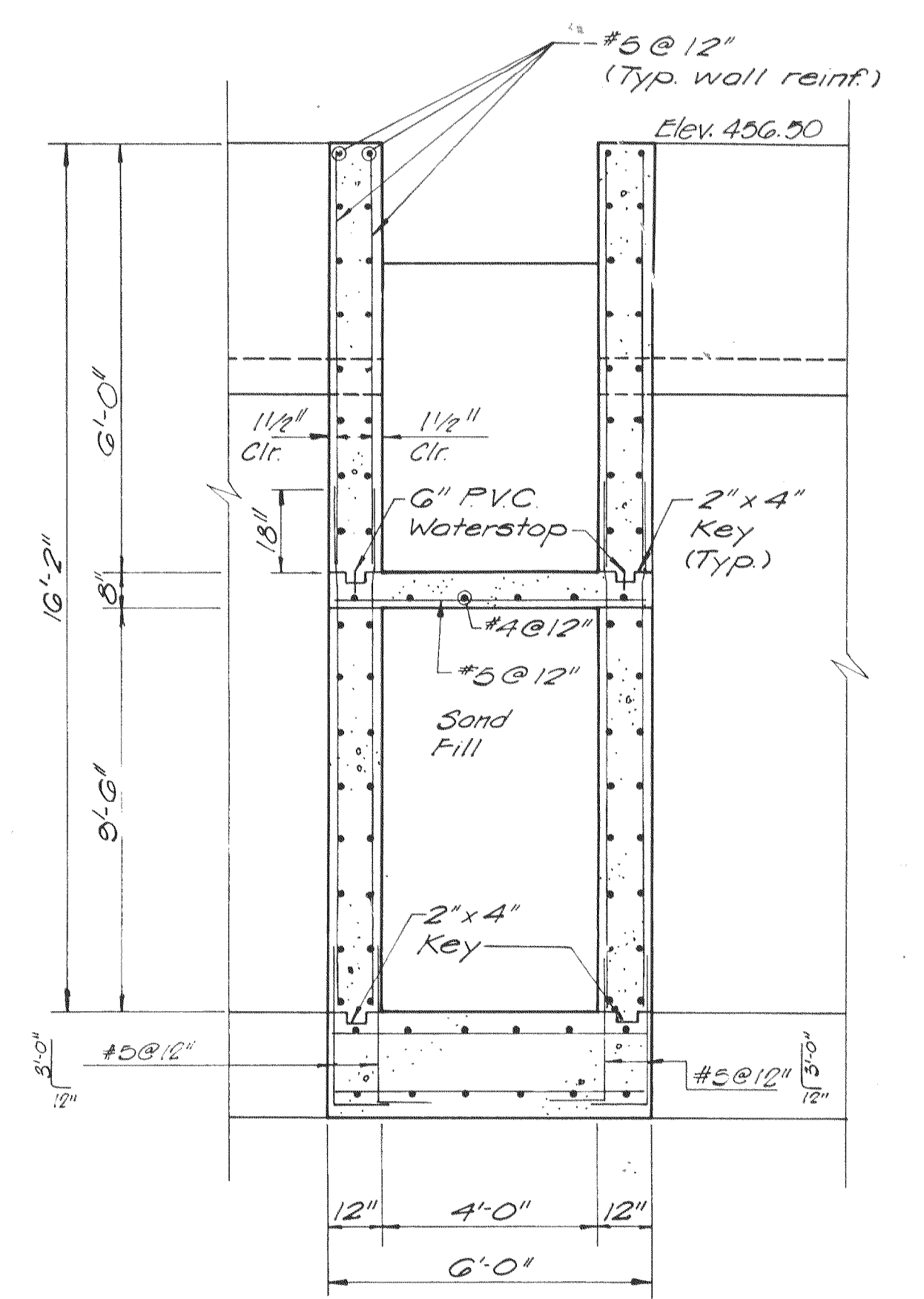
SECTION AT BRIDGE (B)
Scale: 3/8" = 1'-0" (Re. sheet 40)
Conc. steps not shown. See sheet 66 for typ. conc. step reinf. pattern.



SECTION (2)
Scale: 3/8" = 1'-0"



SECTION (3)
Scale: 3/8" = 1'-0"



EFFLUENT BOX
SECTION (3)
Scale: 3/8" = 1'-0"

EPA PROJECT NO. C291090

GBA
GEORGE BUTLER ASSOCIATES
CONSULTING ENGINEERS/ARCHITECTS
LANDSCAPE ARCHITECTS/PLANNERS

OFFICES:
SUITE 305-A FAIRWAY OFFICE CENTER
4210 JOHNSON DRIVE / SHAWNEE MISSION / KANSAS 66205
1100 CITY CENTER SQUARE
1100 MAIN / KANSAS CITY / MISSOURI 64105
SUITE 156 LAKEVIEW PLAZA
9780 CORPORATE DRIVE / KANSAS CITY / MISSOURI 64120

**WASTEWATER TREATMENT
PLANT EXPANSION
FINAL CLARIFIER
STRUCTURAL PLAN & SECTIONS**
CITY OF O'FALLON, MISSOURI

DESIGNED BY J.L.S. DRAWN BY G.P.W. CHECKED BY M.L.S.

JOB NO. 79-2065
DATE July 30, 1981
SCALE As shown
SHEET NO. 42 OF 88