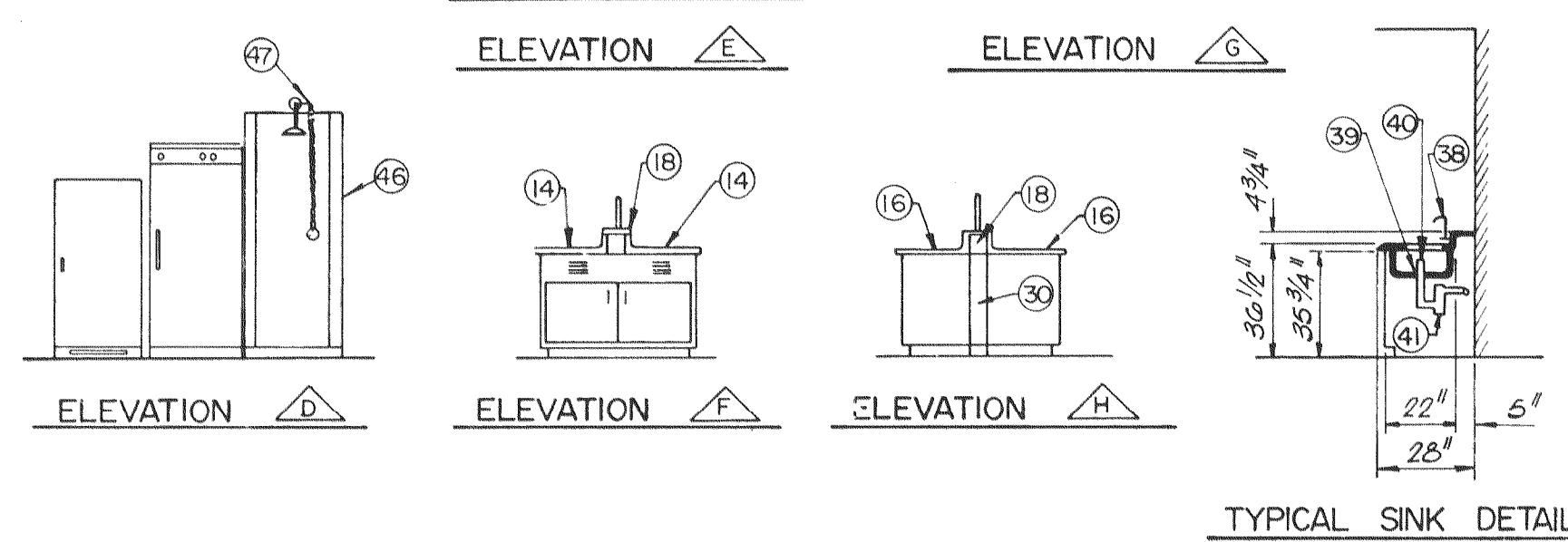
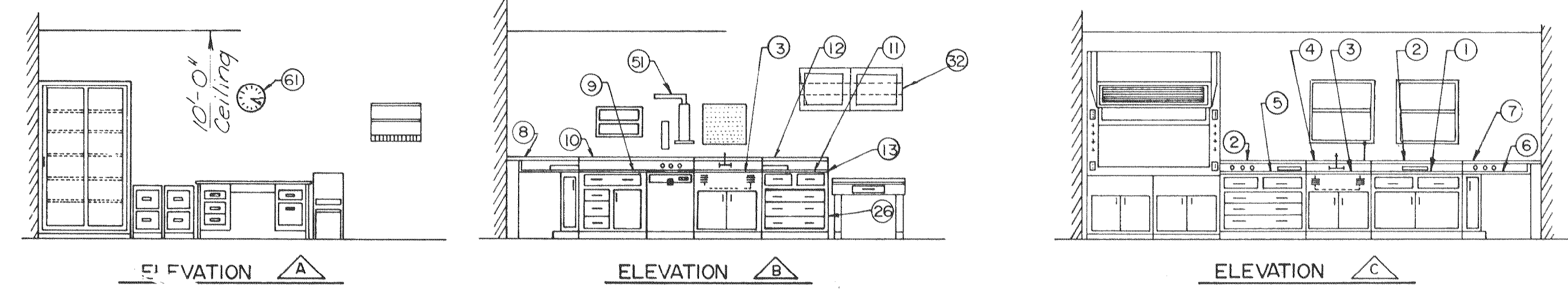


**OPERATING ROOM FLOOR PLAN**  
Scale: 1/4" = 1'-0"



LABORATORY EQUIPMENT & FURNITURE SCHEDULE											
A. TOPS & SHELVES			B. CABINETS & STORAGE CASES			C. EQUIPMENT, SERVICE FIXTURES & ACCESSORIES					
PLAN DES.	DESCRIPTION	QTY.	PLAN DES.	DESCRIPTION	QTY.	PLAN DES.	DESCRIPTION	QTY.	PLAN DES.	DESCRIPTION	QTY.
1	Top, 47"W x 23"D	1	19	Cone Holder, wall mounted, 4 place, 24"W x 12"D x 14"H, white formica	1	47	Wall mounted Softly Shower with 8" drench head 1" pull rod operated ball valve, and hand held face and soap wash with wallhook	1			
2	Shelf, 47"W x 6"D	2	20	Base cabinet, two door, two drawer 47"W x 35 3/4"H x 22"D	1	35	4-electric, 2-gas, 2-air, 2-vacuum, 2-cold water, 1-3" x 6" oval cup-sink (W/O trap) blower switch, pilot light. Top to be Epoxy Resin, 2 Cabinets	1	48	BOD-L-Washer w/ deionizer 24"W x 35"H x 25"D	1
3	Top, 35"W x 23"D, w/molded sink, 24" x 16" x 8"	2	21	Sink cabinet, two door, 35"W x 35 3/4"H x 22"D	2	36	Supply blower, 1/4 Hr 380 CFM, 110V AC (Mounted above Ceiling)	1	49	Refrigerator, 12.5 cu.ft., 110V AC 30"W x 60 1/4"H x 26 5/8"D	1
4	Shelf, 35"W x 6"D	1	22	Base cabinet, five drawer 47"W x 35 3/4"H x 22"D	1	37	Exhaust blower, 1/4 HP, 1300 CFM, 110V AC (clockwise vertical, discharge) See Mech specification	1	50	Incubator, BOD 17 cu.ft., 110V AC 31"W x 74"H x 30"D	1
5	Top, 47"W x 23"D	1	23	Base corner cabinet, one door 32"W x 35 3/4"H x 22"D	1	38	Faucet, mixing, swivel w/vacuum breaker	2	51	Still 1 GPH	1
6	Corner top, 32"W x 32"D	1	24	Base cabinet, one door, four drawers, 35"W x 35 3/4"H x 22"D	1	39	Strainer and Plug, 1 1/2"	4	52	Low Water cutoff	1
7	Shelf, 37"W x 6"D	1	25	Base cabinet, 5 drawer 35"W x 35 3/4"H x 22"D	1	40	Overflow, 6"H, Lead	2	53	Fire Extinguisher 10# ABC (See note below)	5
8	Shelf, 31 1/4"W x 6"D	1	26	Wall Filler Panel, 5"W x 35 3/4"H	1	41	P-Trap, non-Syphon, 1 1/2" Lead	3	54	Fire blanket	1
9	Top, 59"W x 23"D	1	27	End Base Cabinet 2 door 52"W x 35 3/4"H x 22"D	1	42	Cup-sink, 3"x6", Lead	2	55	Chair, fiber-glass, adj 18" x 24"	3
10	Shelf, 59"W x 6"D	1	28	Base Cabinet, 4 drawer 24 1/4"W x 35 3/4"H x 22"D	2	43	Faucet, single service (cold) Service Fixtures Cock, single flange mounted	2	56	Chair, posture	6
11	Top, 36"W x 23"D	1	29	Base Cabinet, 1 door, 4 drawer 47"W x 35 3/4"H x 22"D	2	44	Air Gas Vacuum Electric plug strip, 20", 110V AC	3	57	File Cabinet, 2 drawer letter 14 7/8"W x 28 1/2"H x 28 5/8"D	6
12	Shelf, 71"W x 6"D	1	30	End Filler Panel 8"W x 35 3/4"H	1	45	Service Fixtures Cock, double pedestal, 180 degrees	1	58	Desk, double pedestal, 30" x 60"	3
13	End cap, 5" x 4 3/4" x 1" t	1	31	Pegboard 24" x 24", colorlith	1		Air Gas Vacuum Face pedestal, 110V AC	1	59	Chair, executive swivel arm	3
14	Top, 47 1/4" W x 23"D	2	32	Wall storage case w/ glazed sliding doors 35"W x 30"H x 12"D	2		Service Supply nipple	9		Coat rack, 3 shelf 6 place 24"W x 17"H x 10 1/2"D	1
15	Shelf, 47 1/4"W x 9 1/2"D w/cup-sink cutout 3" x 6"	1	33	Balance Table, glass and felt top 37"W x 31"H x 24"D	1		Faucet Supply nipple	3		Wastebasket, metal Assembly hardware Z-Clips Epoxy Cement	1 set 1 set 60
16	Top, 48"W x 23"D	2	34	Floor storage case w/glazed sliding doors, 47"W x 84"H x 16"D	1	46	Air/Vac. pump 1750 1/6 HP RPM, 1.3 CFM, 15 PSI	1		Cove molding w/6 outside corners	1 set
17	Shelf, 48"W x 9 1/2"D w/cup-sink cutout 3" x 6"	1						4		Cement	2 sq.
18	End cap, 8" x 4 3/4" x 1" t	2						1	60	Air/Vac. pump 1750 1/6 HP RPM, 1.3 CFM, 15 PSI	1
								1	61	Emergency Shower Enclosure	1
									61	Clock	1

Note: These 5 fire extinguishers shown in this schedule are part of the total fire extinguishers called for in the specifications.

EPA PROJECT NO. C291090

**GBA**  
GEORGE BUTLER ASSOCIATES  
CONSULTING ENGINEERS/ARCHITECTS  
LANDSCAPE ARCHITECTS/PLANNERS

OFFICES:  
SUITE 305-A FAIRWAY OFFICE CENTER  
4210 JOHNSON DRIVE / SHAWNEE MISSION / KANSAS 66205  
1100 CITY CENTER SQUARE  
1100 MAIN / KANSAS CITY / MISSOURI 64105  
SUITE 134 LAKEVIEW PLAZA II  
6700 CORPORATE DRIVE / KANSAS CITY / MISSOURI 64120

**WASTEWATER TREATMENT PLANT EXPANSION**  
**MAIN OFFICE BUILDING**  
**OPERATING FLOOR PLAN**  
CITY OF FALLON, MISSOURI

DESIGNED BY L.C.C. DRAWN BY SPW CHECKED BY H.C.C.

JOB NO 73-106B  
DATE July 30, 1981  
SCALE As shown  
SHEET NO 44 OF 88