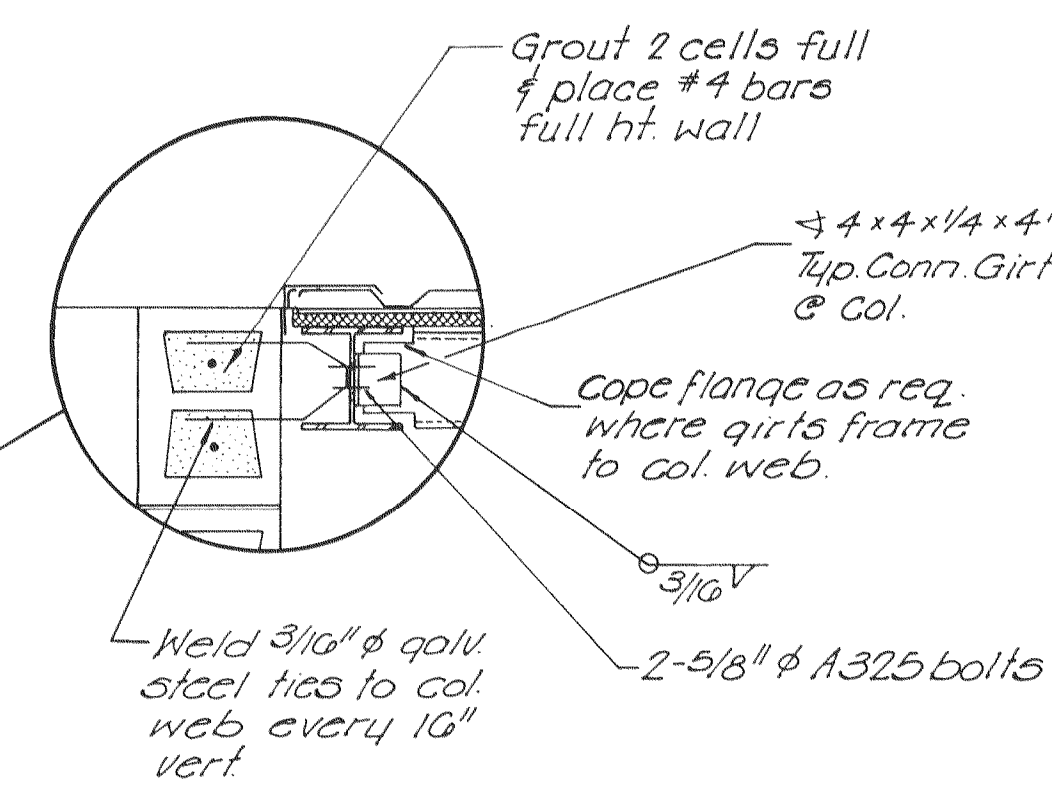
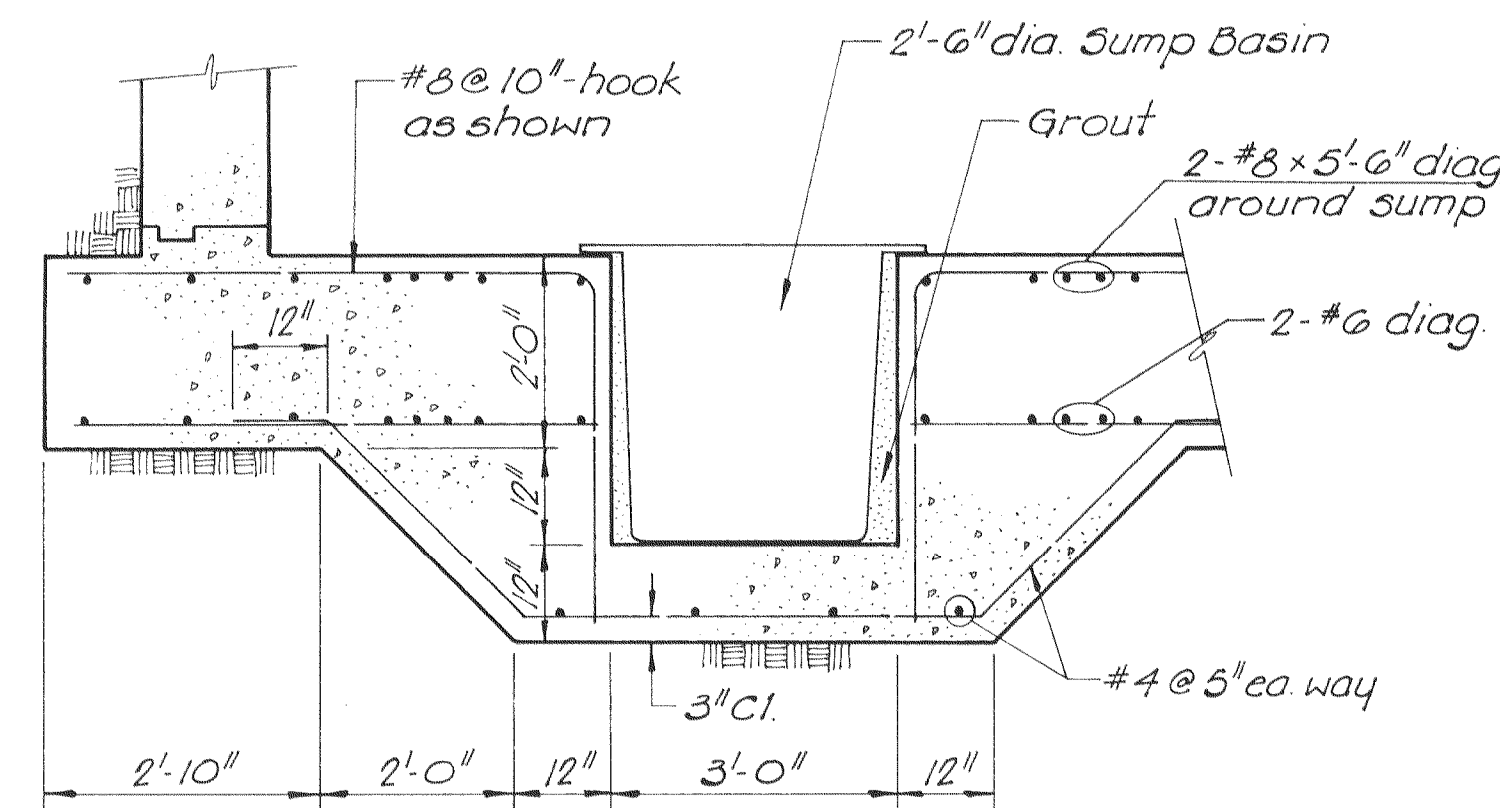


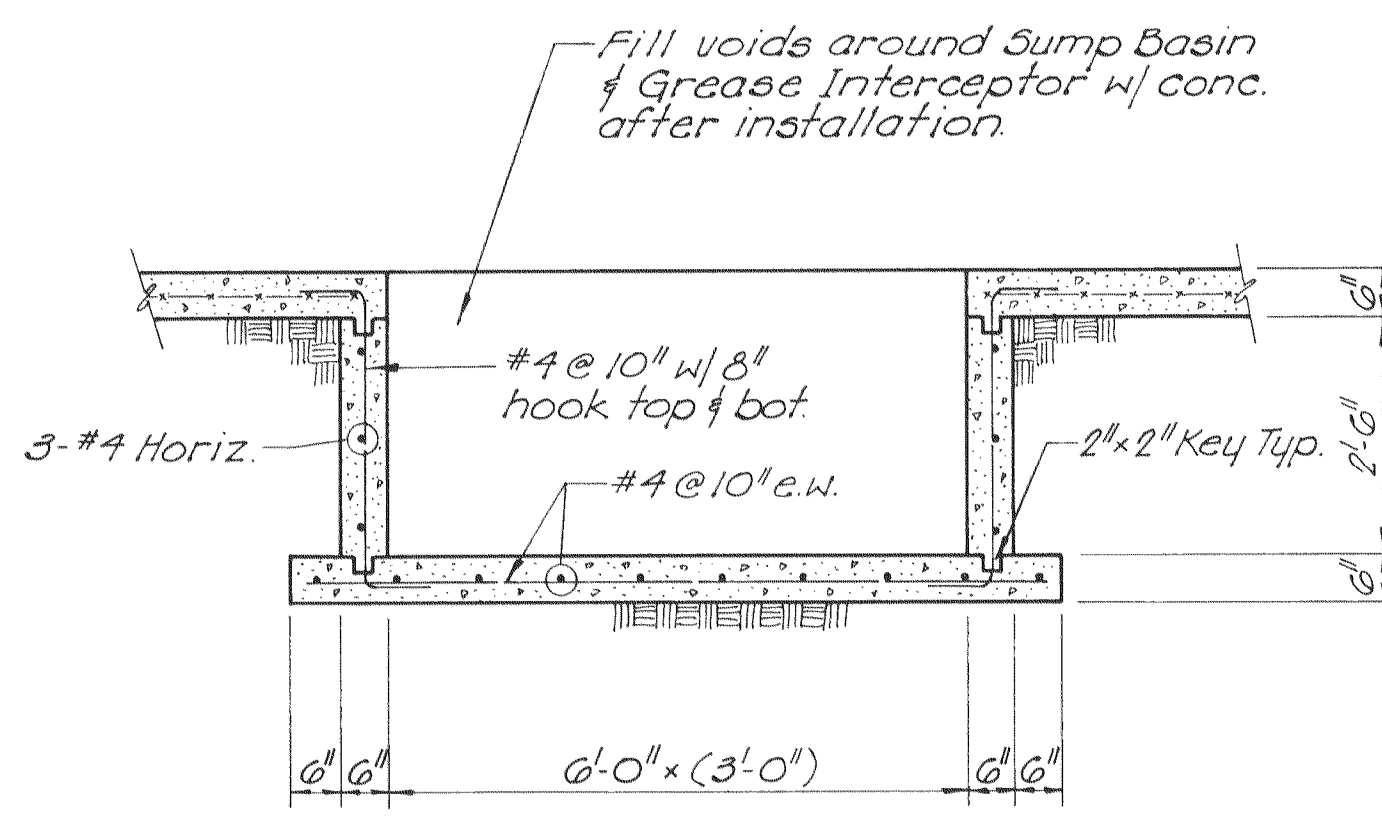
**OPERATING ROOM FLOOR
FRAMING PLAN**
Scale: 1/4" = 1'-0"



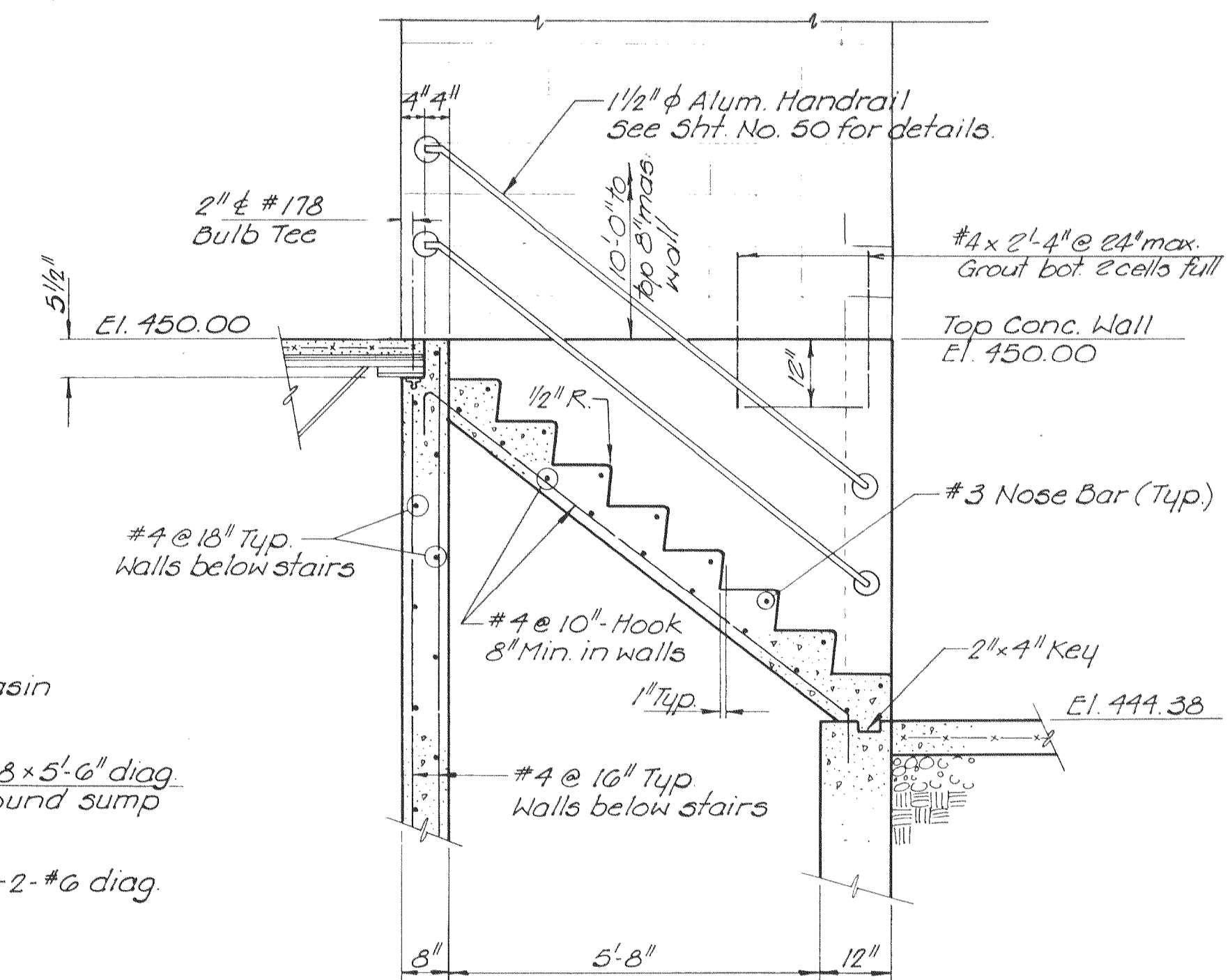
SECTION 1
Scale: 1/2" = 1'-0"



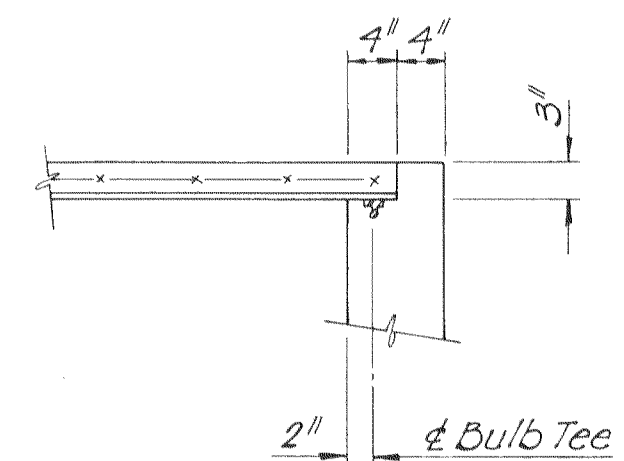
SECTION 2
Scale: 1/2" = 1'-0"



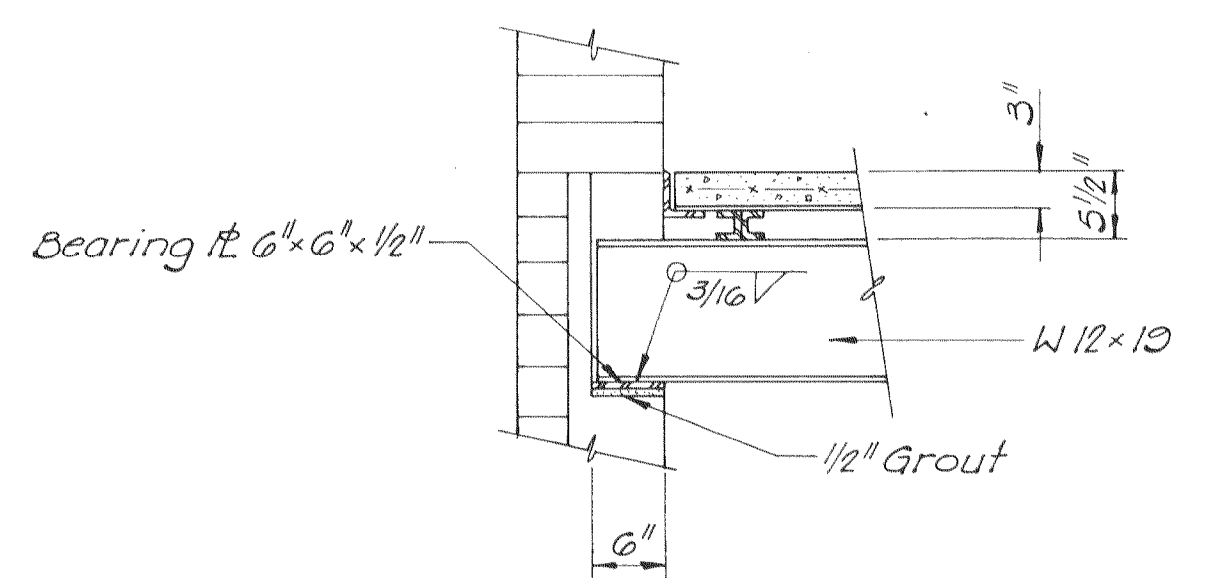
SECTION 3
Scale: 1/2" = 1'-0"



SECTION 4
Scale: 1/2" = 1'-0"



SECTION 5
Scale: 1/2" = 1'-0"



SECTION 6
Scale: 3/4" = 1'-0"

T.O.S. = Top of Steel Elev.

EPA PROJECT NO. C291090

GBA
GEORGE BUTLER ASSOCIATES
CONSULTING ENGINEERS/ARCHITECTS
LANDSCAPE ARCHITECTS/PLANNERS

OFFICES:
SUITE 305 A FAIRWAY OFFICE CENTER
4210 JOHNSON DRIVE / SHAWNEE MISSION / KANSAS 66205
1100 CITY CENTER SQUARE
1100 MAIN / KANSAS CITY / MISSOURI 64105
SUITE 134 LANESIDE PLAZA B
6700 CORPORATE DRIVE / KANSAS CITY / MISSOURI 64120

**WASTEWATER TREATMENT
PLANT EXPANSION**

**MAIN OFFICE BUILDING
OPERATING ROOM FLOOR
FRAMING PLAN**

CITY OF FALLON, MISSOURI

DESIGNED BY T.J.R. DRAWN BY J.E.B. CHECKED BY M.L.S.

JOB NO. 79-2065
DATE July 30, 1981
SCALE As shown
SHEET NO. 46 of 88