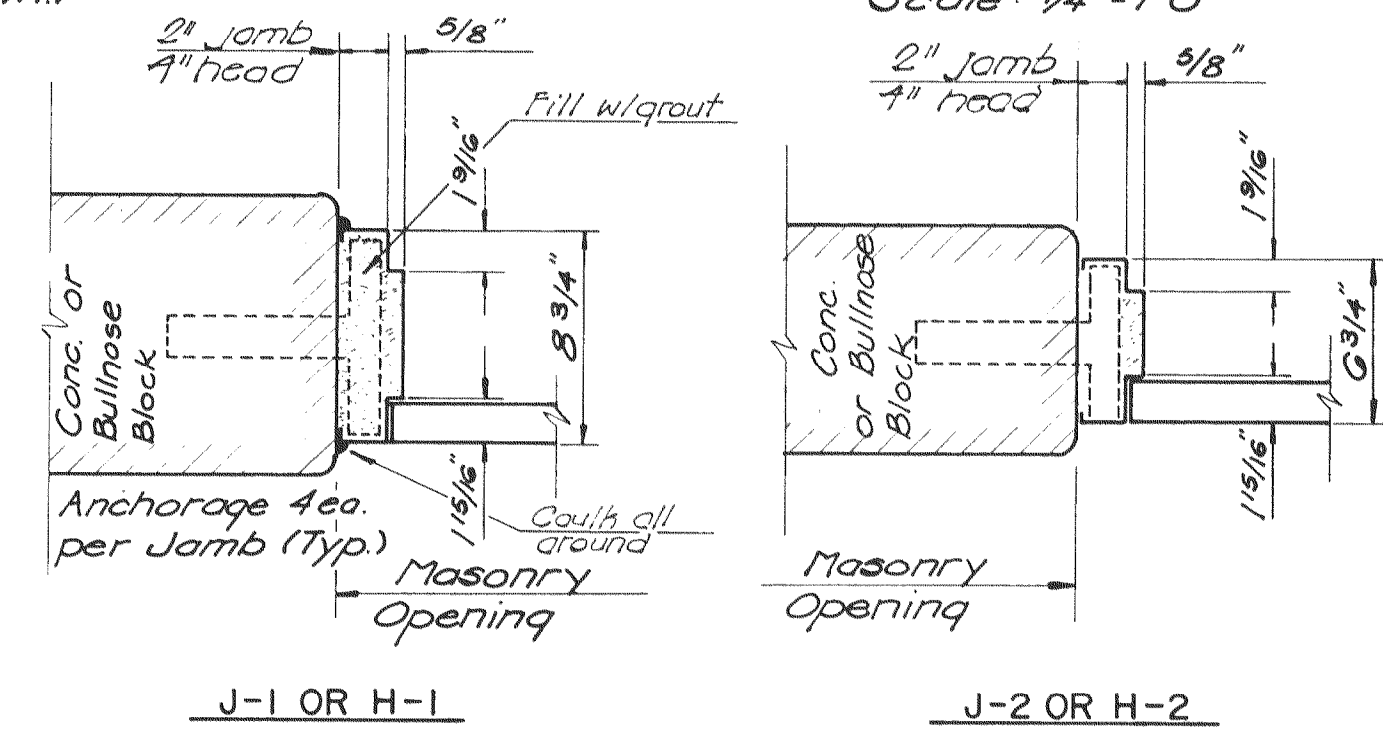
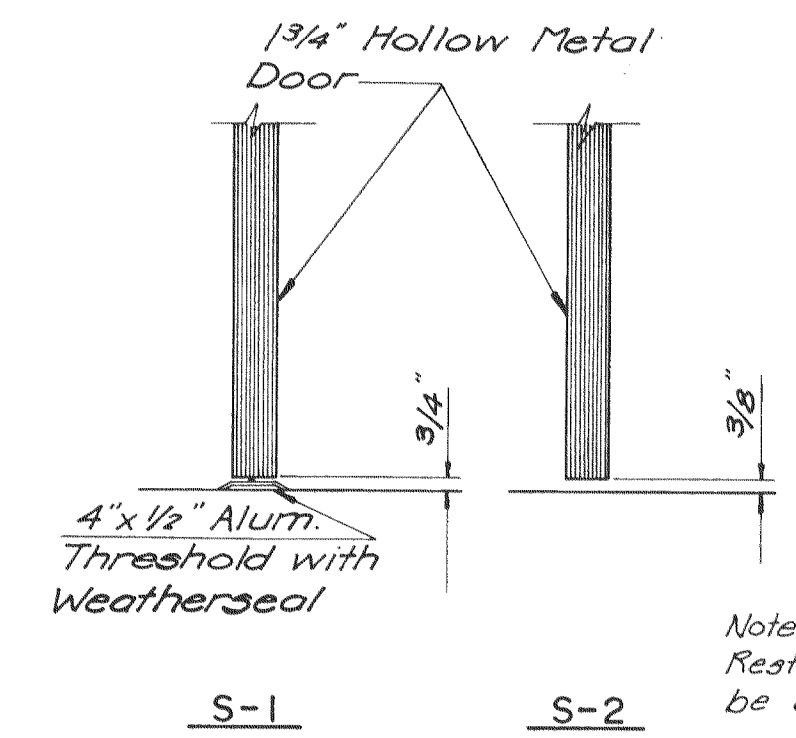


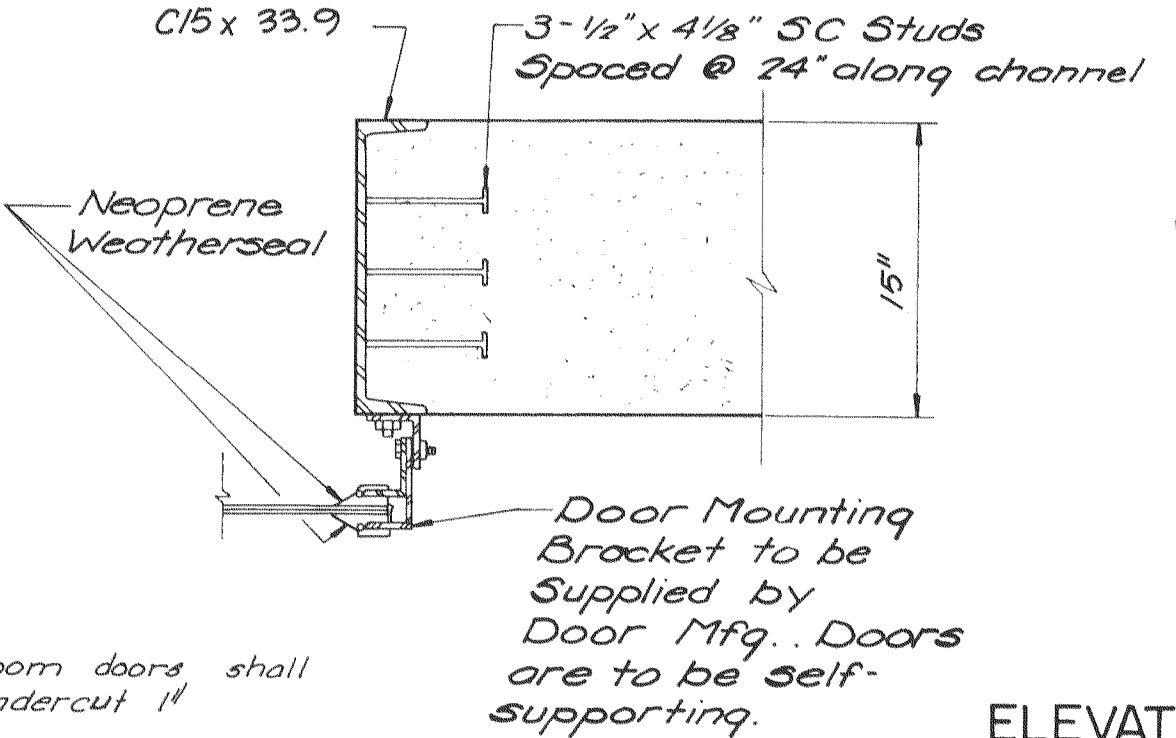
TYPE A (Typ. Hardware Locations are shown.)
 TYPE B
 TYPE C
 TYPE D
 TYPE E
 TYPE F
DOOR ELEVATIONS
 Scale: 1/4" = 1'-0"



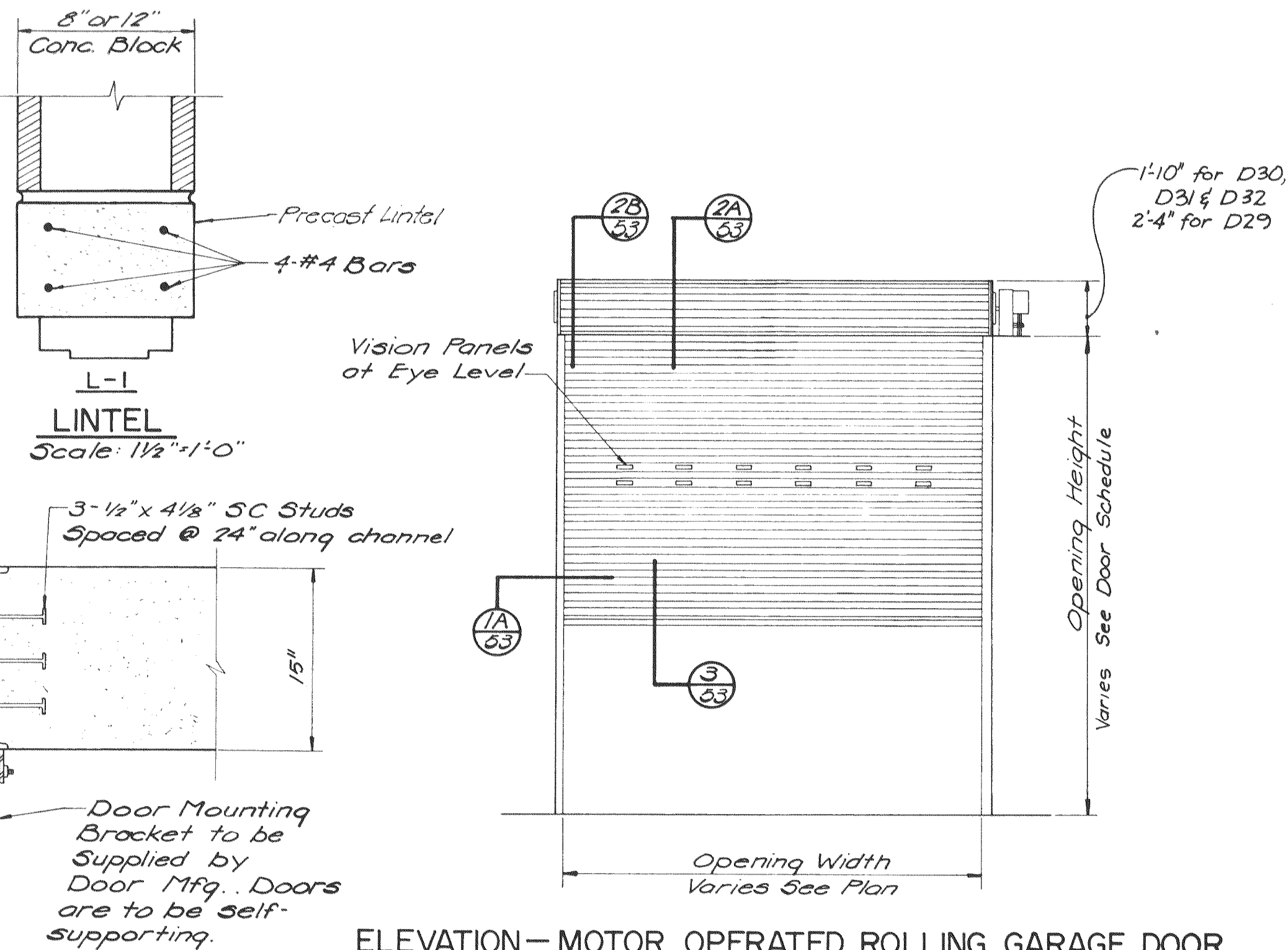
J-1 OR H-1
 J-2 OR H-2
TYPICAL SECTIONS - JAMBS AND HEADS
 Scale: 1/2" = 1'-0"



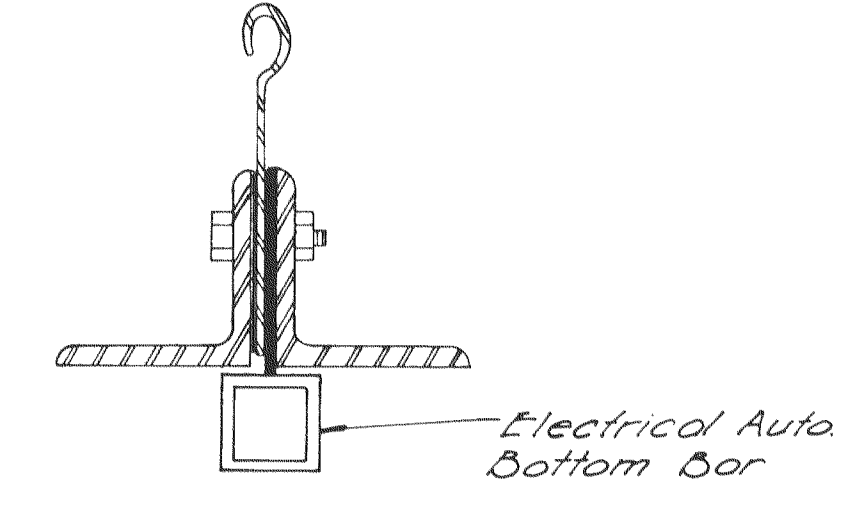
S-1
 S-2
SILLS
 Scale: 1/2" = 1'-0"



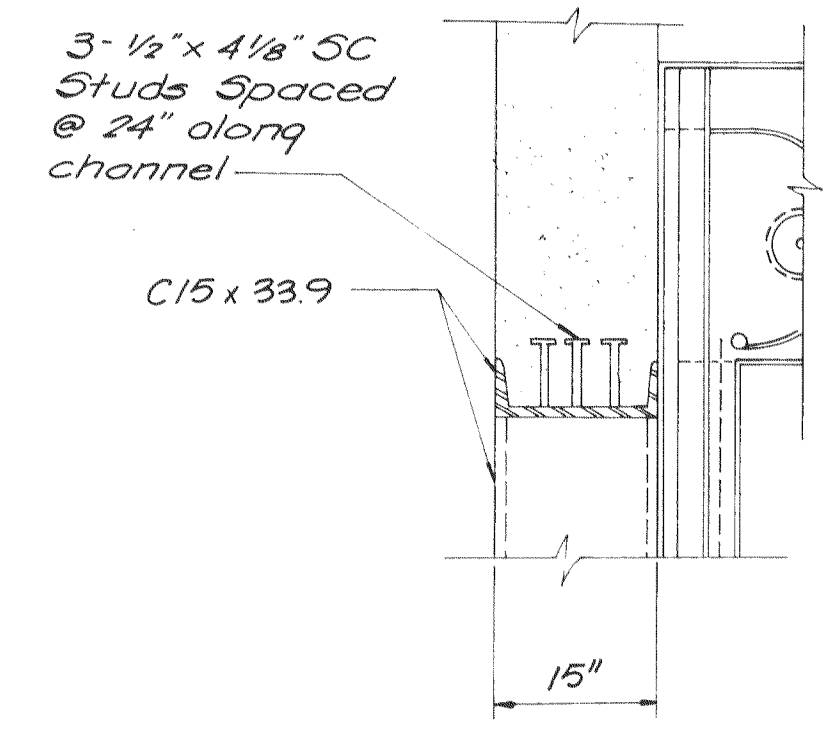
SECTION 1A
 Scale: 1/2" = 1'-0"



L-1
ELEVATION - MOTOR OPERATED ROLLING GARAGE DOOR
 Scale: 1/4" = 1'-0"



SECTION 3
 N.T.S.



SECTION 2A
 Scale: 1" = 1'-0"

SECTION 2B
 Scale: 1" = 1'-0"

DOOR DESIG.	QTY.	LOCATION	DOOR SIZE	MASONRY OPENING	MATERIAL		EL.	HEAD	JAMB	SILL	LINTEL	DOOR HARDWARE								REMARKS	
					DOOR	FRAME						HINGE	LOCK	ASTRAGAL	CLOSER	STOP	SURFACE BOLT	KICK PLATE	THRESHOLD		
D-1	1	Entrance	3'-0" x 7'-0"	3'-4 3/8" x 7'-4"	Alum	Alum	E	H-2	J-2	S-1	L-1	1 1/2 Pair	M-1								Notes 4
D-2	1	Meeting Rm.	3'-0" x 7'-0"	3'-4 3/8" x 7'-4"	Steel	Steel	B	H-2	J-2	S-2	L-1	1 1/2 Pair	C-1								
D-3	1	Superintend.	"	"	"	"	A	H-2	J-2	S-2	L-1	"	C-1								
D-4	1	"	"	"	"	"	C	"	"	"	"	"	"								
D-5	1	Laboratory	"	"	"	"	B	"	"	"	"	"	"								
D-6	1	Men's Rm.	2'-6" x 7'-0"	2'-10 3/8" x 7'-4"	"	"	D	"	"	"	"	"	C-3								
D-7	1	Ladies Rm.	2'-6" x 7'-0"	2'-10 3/8" x 7'-4"	"	"	D	"	"	"	"	"	C-3								
D-8	1	Utility Rm.	3'-0" x 7'-0"	3'-4 3/8" x 7'-4"	"	"	D	"	"	"	"	"	C-2								
D-9	1	Men's Rm.	2'-0" x 5'-0"	"	"	"	"	"	"	"	"	"	"								
D-10	1	Ladies Rm.	2'-0" x 5'-0"	"	"	"	"	"	"	"	"	"	"								
D-11	1	Entrance	3'-0" x 7'-0"	3'-4 3/8" x 7'-4"	Alum	Alum	E	H-1	J-1	S-1	L-1	1 1/2 Pair	M-1								Notes 4
D-12	1	Inner Ent.	3'-0" x 7'-0"	3'-4 3/8" x 7'-4"	Steel	Steel	C	H-2	J-2	S-2	L-1	1 1/2 Pair	C-2								
D-13	1	Entrance	"	"	Alum	Alum	E	H-1	J-1	S-1	L-1	1 1/2 Pair	M-1								Notes 4
D-14	1	Blower Rm.	"	"	Steel	Steel	B	H-1	J-1	S-1	"	"	C-2								
D-15	1	M.C. Rm.	2'-3'0" x 7'-0"	2'-4 3/8" x 7'-4"	"	"	F	"	"	"	"	2-1 1/2 Pair	M-1								
D-16	1	Inner Ent.	3'-0" x 7'-0"	3'-4 3/8" x 7'-4"	"	"	B	"	"	S-2	"	1 1/2 Pair	C-2								
D-17	1	Storage Rm.	3'-0" x 7'-0"	3'-4 3/8" x 7'-4"	"	"	A	H-2	J-2	S-2	L-1	1 1/2 Pair	C-1								
D-18	1	Lunch Rm.	"	"	"	"	C	H-2	J-2	S-2	L-1	"	C-2								
D-19	1	Rest Rm.	2'-6" x 7'-0"	2'-10 3/8" x 7'-4"	"	"	D	"	"	"	"	"	C-2								
D-20	1	Rest Rm.	2'-6" x 7'-0"	2'-10 3/8" x 7'-4"	"	"	D	"	"	"	"	"	C-2								
D-21	1	Shower Rm.	"	"	"	"	D	"	"	"	"	"	"								
D-22	1	Rest Rm.	2'-0" x 5'-0"	"	"	"	"	"	"	"	"	"	"								
D-23	1	Shower Rm.	2'-0" x 5'-0"	"	"	"	"	"	"	"	"	"	"								
D-24	1	Utility Rm.	3'-0" x 7'-0"	3'-4 3/8" x 7'-4"	"	"	D	H-2	J-2	S-2	L-1	1 1/2 Pair	C-2								
D-25	2	Entrance	3'-0" x 7'-0"	3'-4 3/8" x 7'-4"	"	"	B	H-2	J-2	S-1	"	1 1/2 Pair	C-2								
D-26	1	Garage	12'-0" x 16'-0"	"	"	"	"	"	"	"	"	"	"								See Office Bldg. Plans
D-27	1	"	12'-0" x 16'-0"	"	"	"	"	"	"	"	"	"	"								See Specs
D-28	1	"	12'-0" x 16'-0"	"	"	"	"	"	"	"	"	"	"								See Specs
D-29	1	B.F. Garage	78'-0" x 16'-0"	"	"	G	"	As Shown	"	"	"	"	"								Details 1A & 2A
D-30	1	Bio-Filter 3	10'-0" x 10'-0"	"	"	G	"	"	"	"	"	"	"								Details 1A & 2B
		Not Used	"	"	"	"	"	"	"	"	"	"	"								
D-33	1	Basement	3'-0" x 7'-0"	3'-4 3/8" x 7'-4"	Steel	Steel	A	H-2	J-2	S-2	L-1	1 1/2 Pair	C-1								
D-34	1	Stairwell	3'-0" x 7'-0"	3'-4 3/8" x 7'-4"	"	"	A	H-2	J-2	S-1	L-1	1 1/2 Pair	"								

- NOTES:
- (1) C-1 - Standard Duty Cylindrical Locks - Catch Bolt by knob either side, Push button dead locks outside knob, Inside knob always free, Turning inside knob releases push button, Key retracts catch bolt and releases push button, Dead locking latch - Closing door does not release push button.
 - C-2 - Standard Duty Cylindrical Locks - Latch bolt by knob either side, Each knob always free.
 - C-3 - Standard Duty Cylindrical Locks - Latch bolt by knob each side, Inside knob is always free, Push button dead locks outside knob, Push button released by turning inside knob or closing door, Also released by emergency key through outside knob.
 - M-1 - Heavy Duty Mortise Locks - Latch bolt operated by knobs both sides, Dead bolt operated by key outside, Thumb turn inside.
 - T-1 - 5 Pin Tumbler Lock - Key operated from outside, Hand operated from inside.
 - (2) Door Closer w/hold open arm.
 - (3) Door Closer with hold open arm.
 - (4) Color Anodized Aluminum Door & Frame w/1/4" satin bronze float glass - tempered. Door D-1 shall be equipped w/ a panic device.
 - (5) A key switch shall be provided to enable to open the door from outside.

EPA PROJECT NO. C291090 Rev. 2-82 MKK

GBA
 GEORGE BUTLER ASSOCIATES
 CONSULTING ENGINEERS, ARCHITECTS
 LANDSCAPE ARCHITECTS - PLANNERS

OFFICES:
 SUITE 305-A FAIRWAY OFFICE CENTER
 4210 JOHNSON DRIVE / SHAWNEE MISSION / KANSAS 66205
 1100 CITY CENTER SQUARE
 1100 MAIN / KANSAS CITY / MISSOURI 64105
 SUITE 134 LAKESIDE PLAZA II
 6700 CORPORATE DRIVE / KANSAS CITY / MISSOURI 64120

WASTEWATER TREATMENT PLANT EXPANSION

DOOR SCHEDULE

CITY OF O'FALLON, MISSOURI

DESIGNED BY: W.C.C. DRAWN BY: SPW CHECKED BY: W.A.C.

JOB NO: 75-2065
 DATE: July 30, 1981
 SCALE: As Shown
 SHEET NO: 53 OF 88