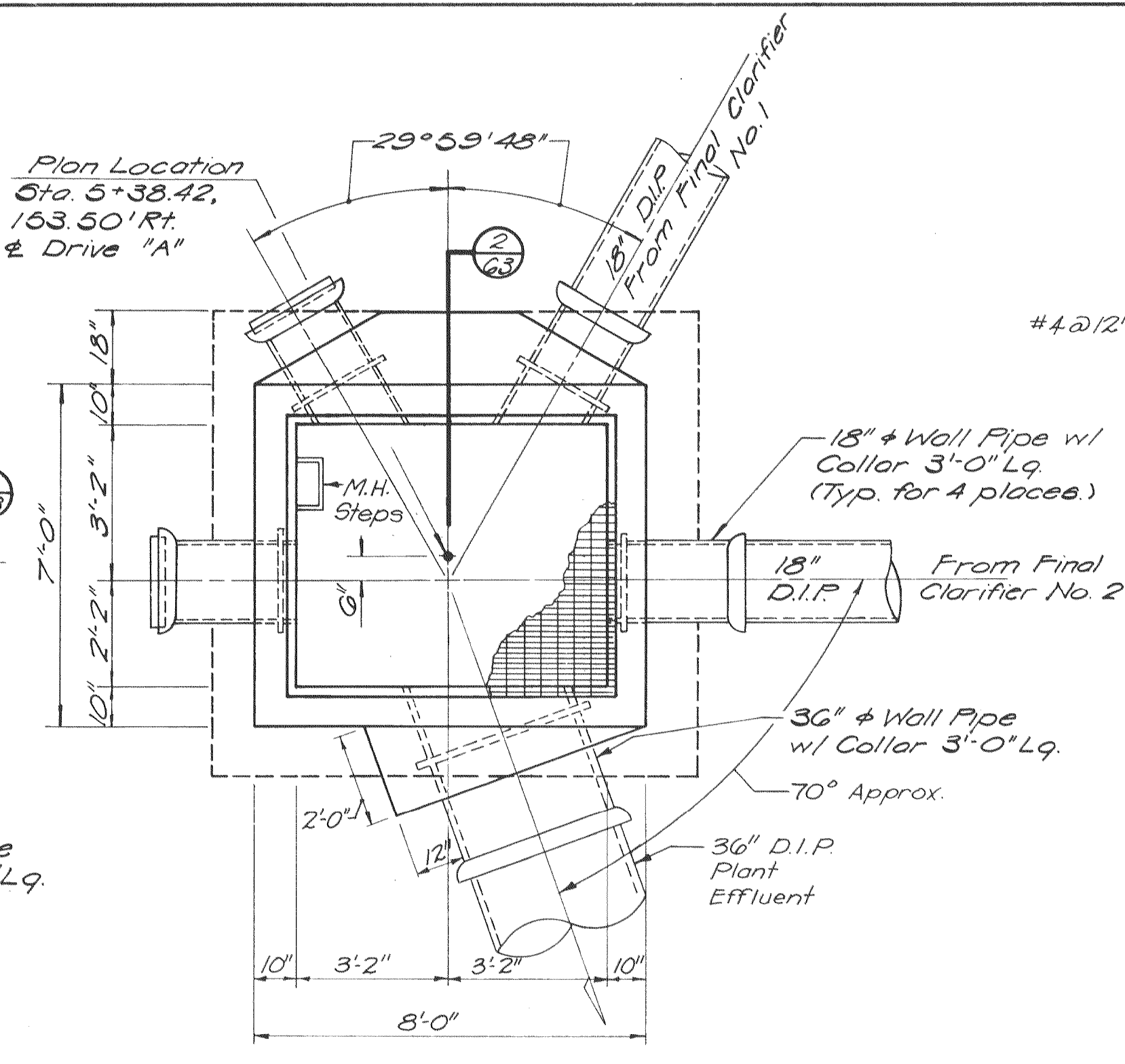
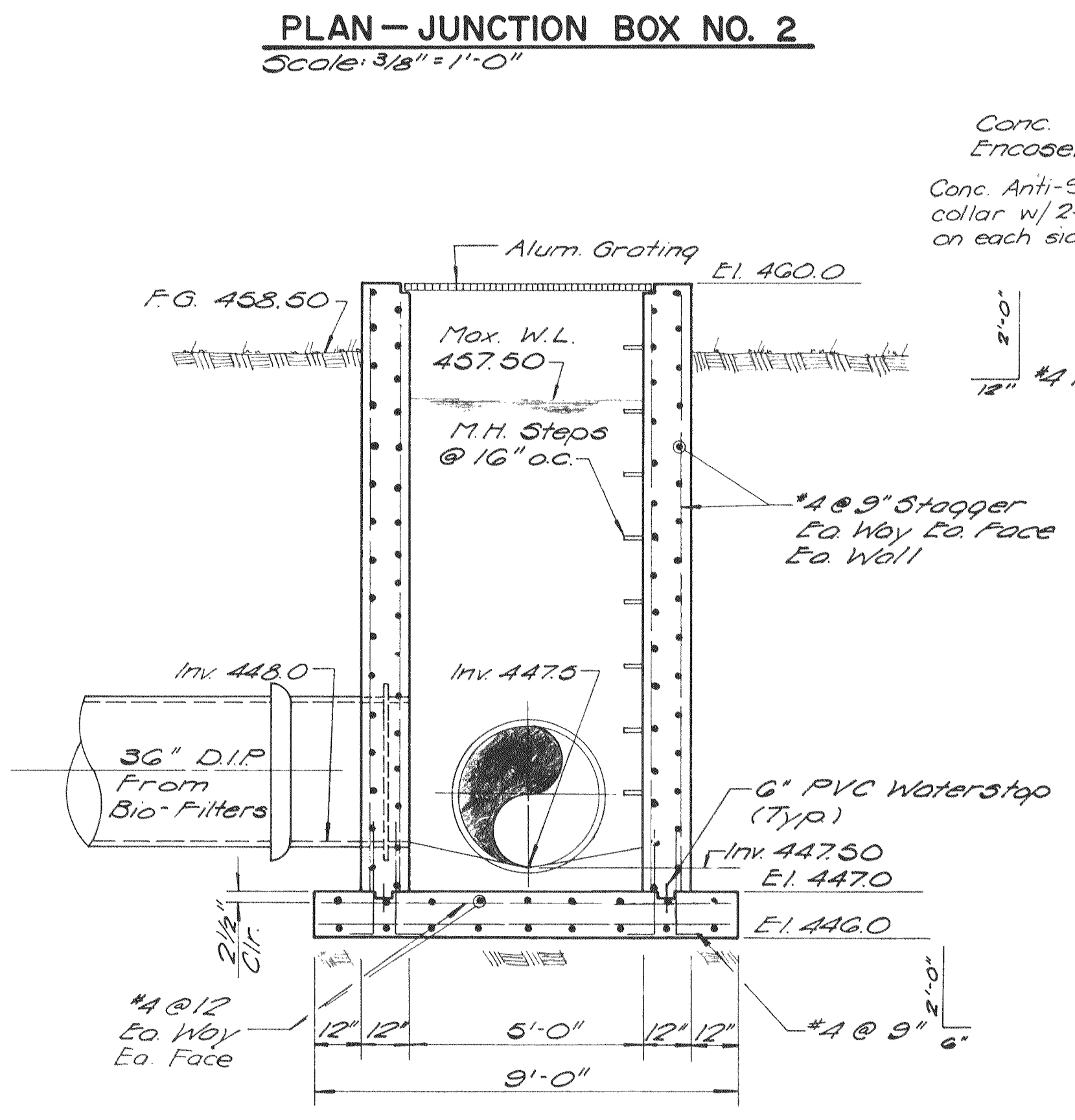
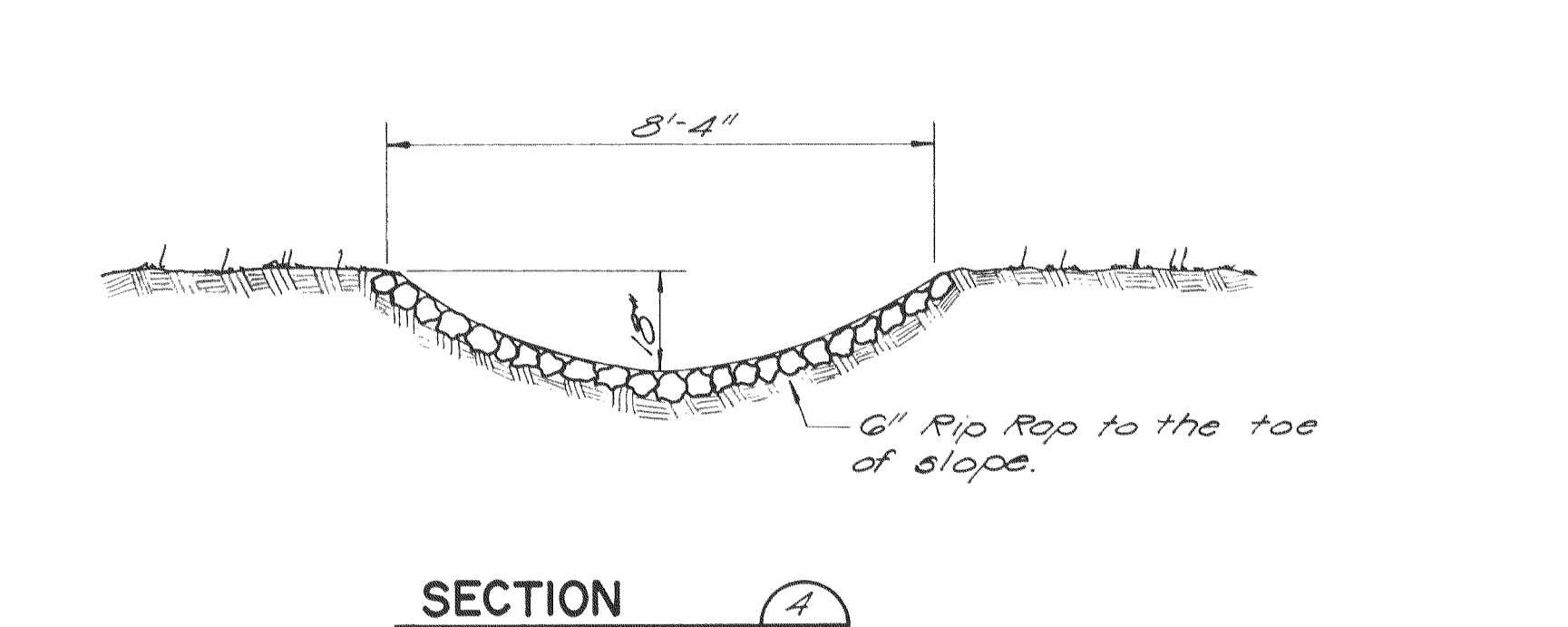
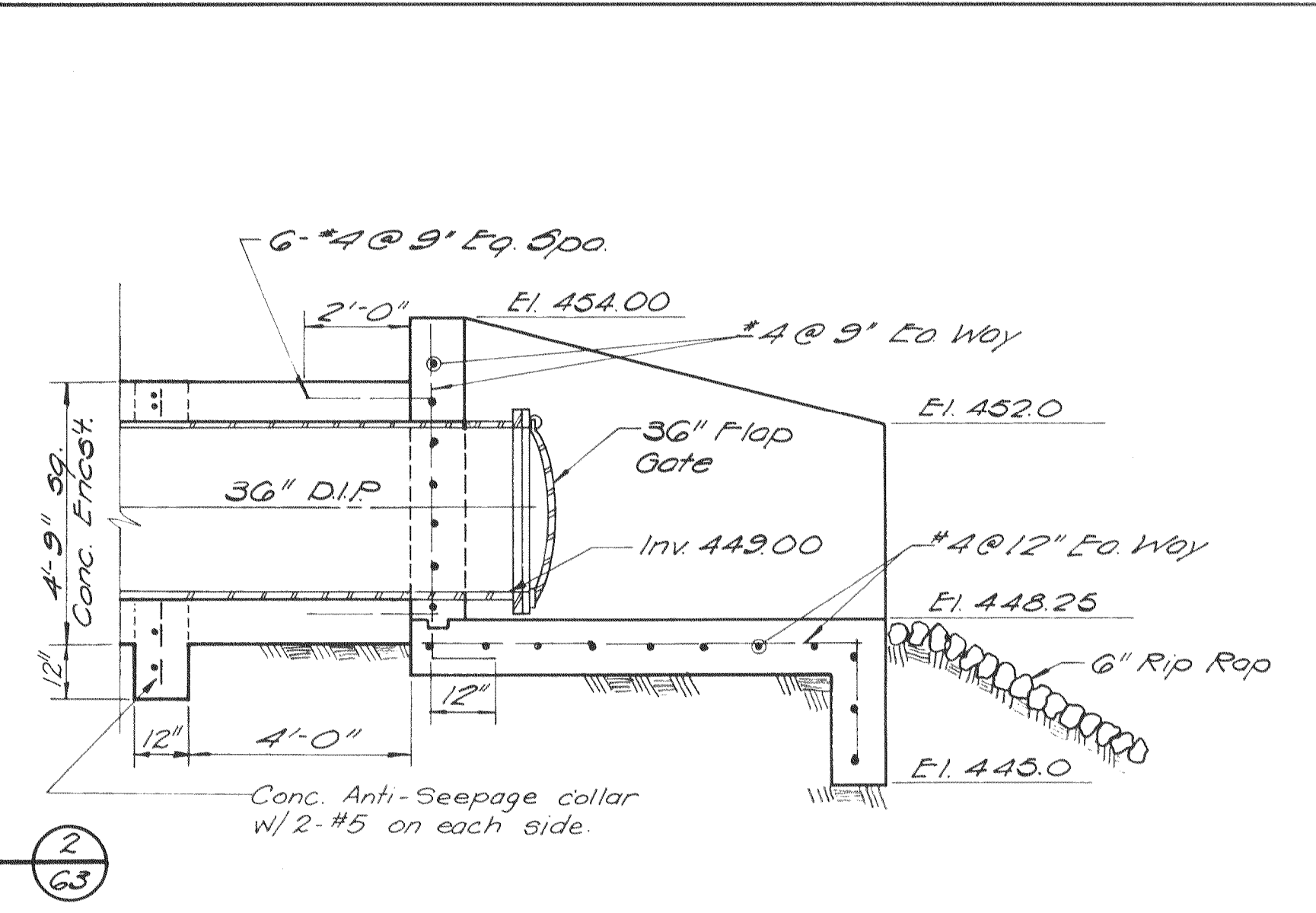
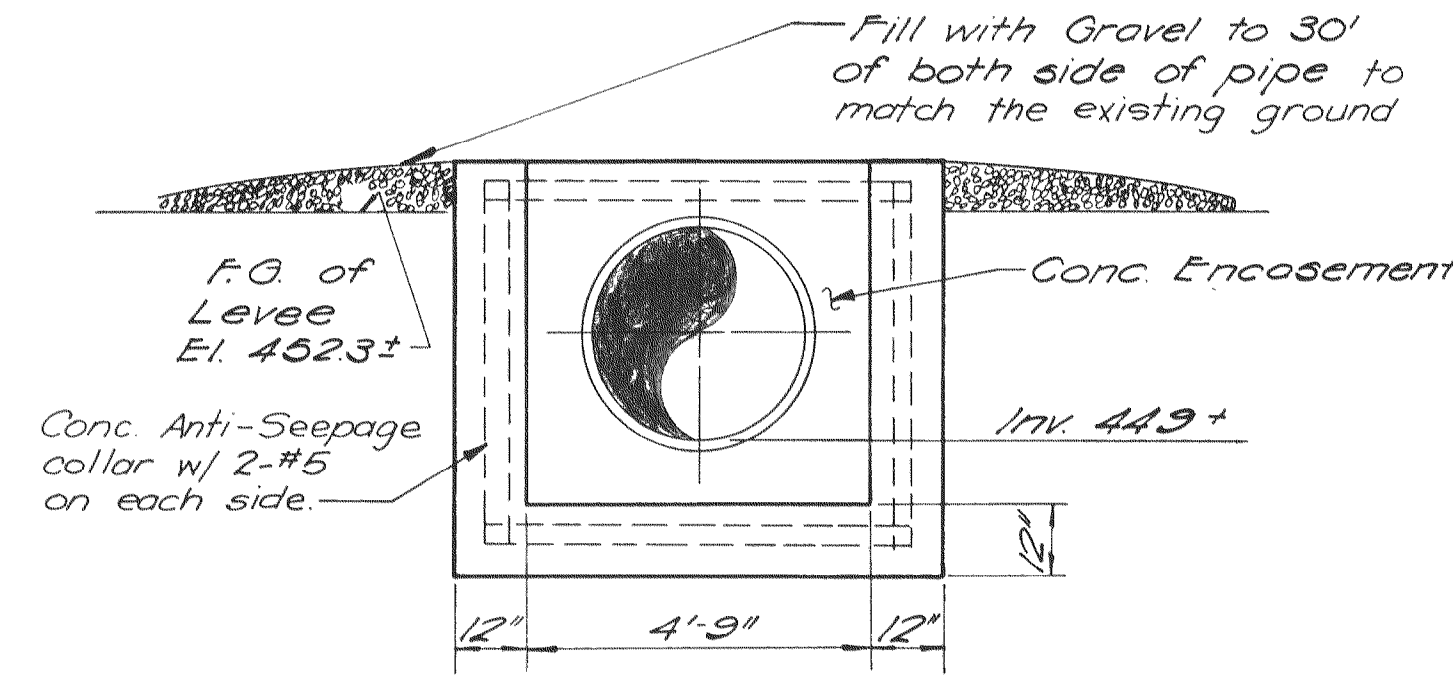
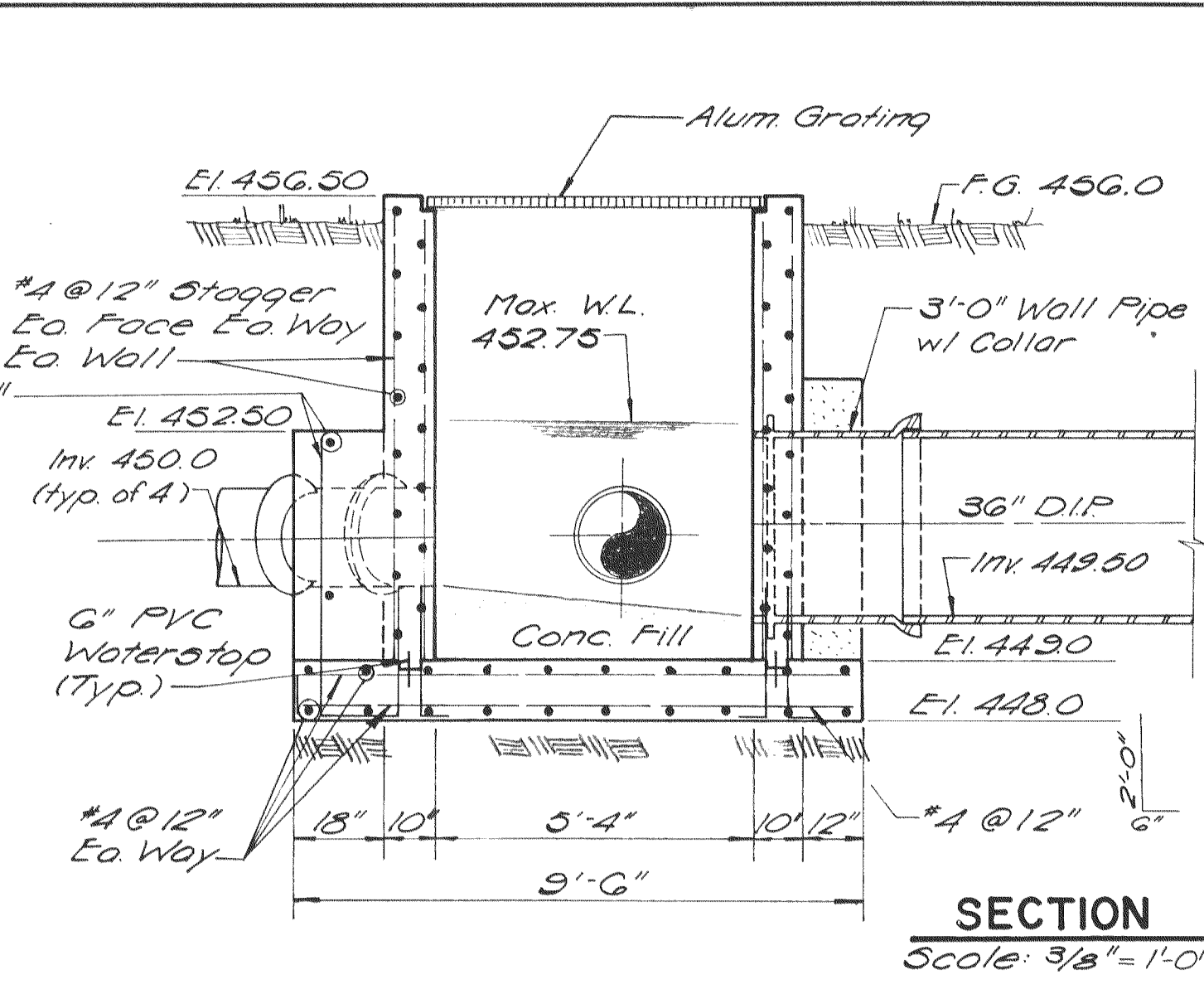


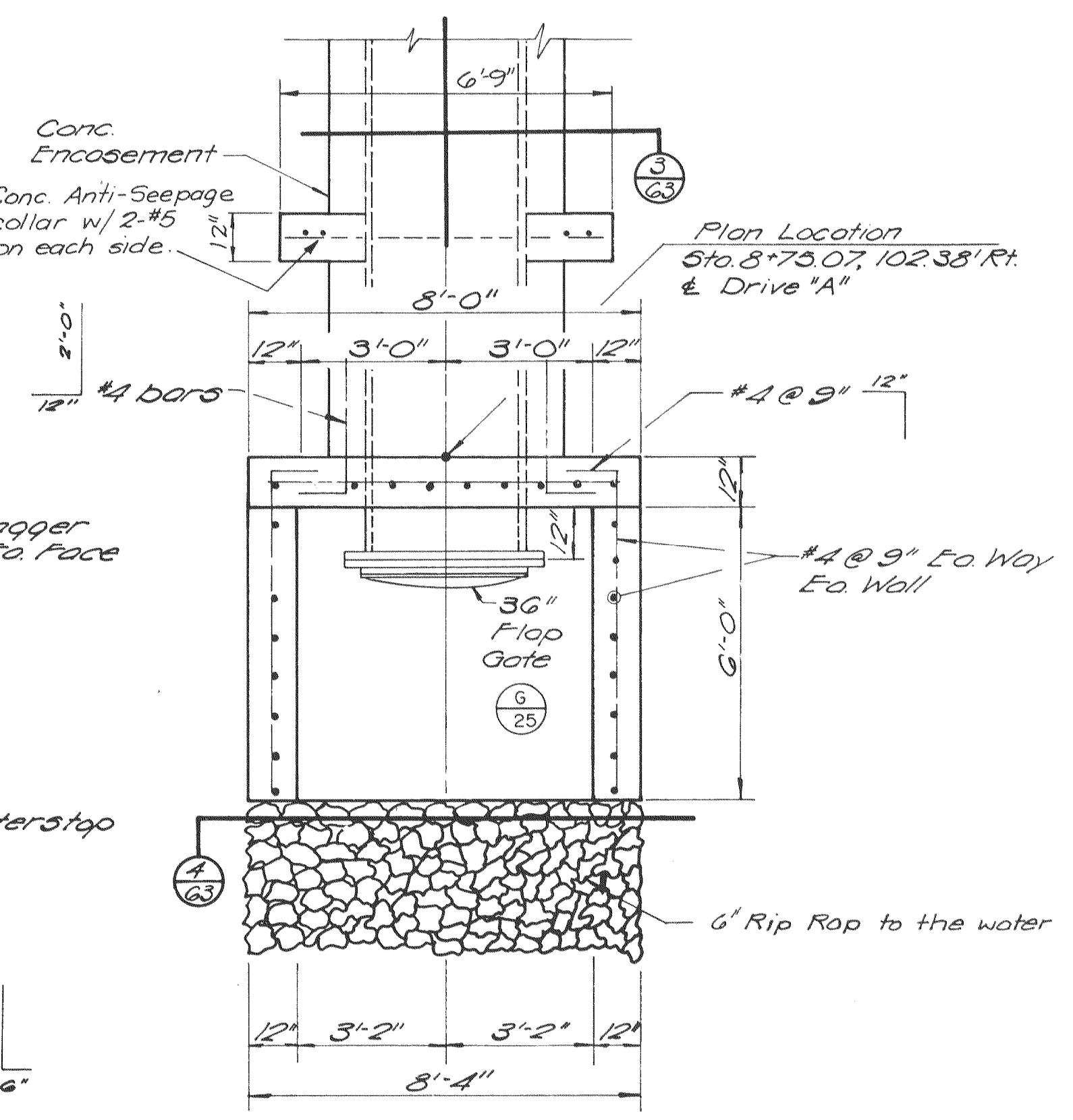
**PLAN - JUNCTION BOX NO. 2**  
Scale: 3/8" = 1'-0"



**PLAN - JUNCTION BOX NO. 3**  
Scale: 3/8" = 1'-0"



**SECTION 1**  
Scale: 3/8" = 1'-0"



**PLAN - PLANT EFFLUENT OUTLET BOX**  
Scale: 3/8" = 1'-0"

**SECTION 3**  
Scale: 3/8" = 1'-0"

EPA PROJECT NO. C291090

<b>GBA</b> GEORGE BUTLER ASSOCIATES CONSULTING ENGINEERS / ARCHITECTS LANDSCAPE ARCHITECTS / PLANNERS	OFFICES: SUITE 305-A FAIRWAY OFFICE CENTER 4210 JOHNSON DRIVE / SHAWNEE MISSION - KANSAS 66205 1100 CITY CENTER SQUARE 1100 MAIN / KANSAS CITY / MISSOURI 64105 SUITE 134 LAKESIDE PLAZA II 6700 CORPORATE DRIVE / KANSAS CITY / MISSOURI 64120
	WASTEWATER TREATMENT PLANT EXPANSION MISCELLANEOUS DETAILS JUNCTION BOXES CITY OF O'FALLON, MISSOURI
DESIGNED BY H.N.P. DRAWN BY SPW CHECKED BY M.L.S.	JOB NO 79-2065 DATE July 30, 1981 SCALE As shown SHEET NO 63 of 88