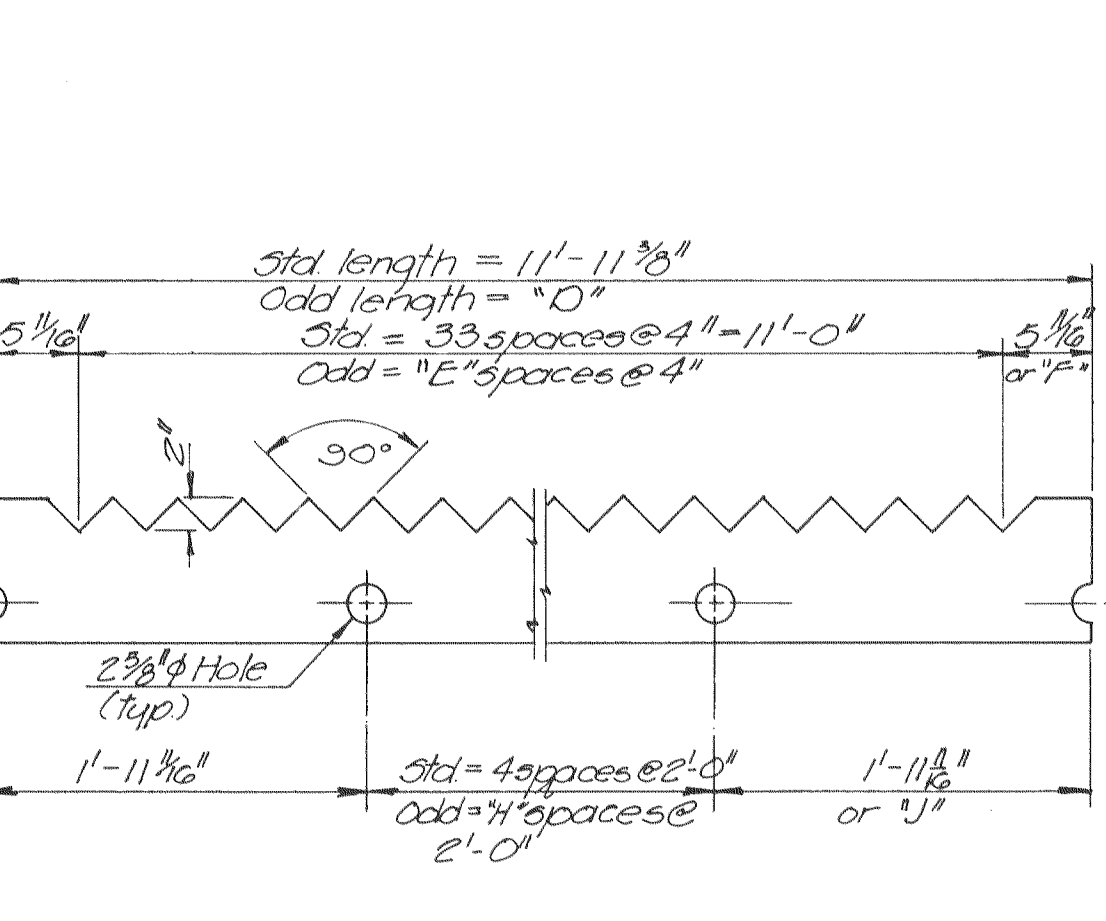
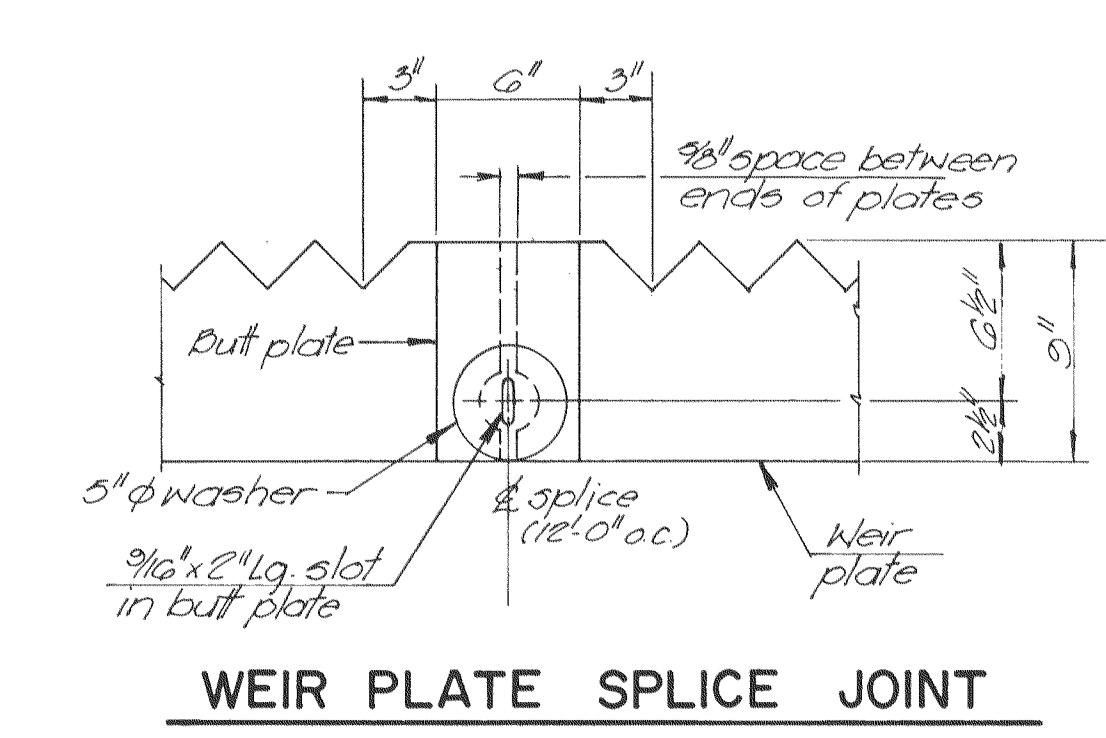
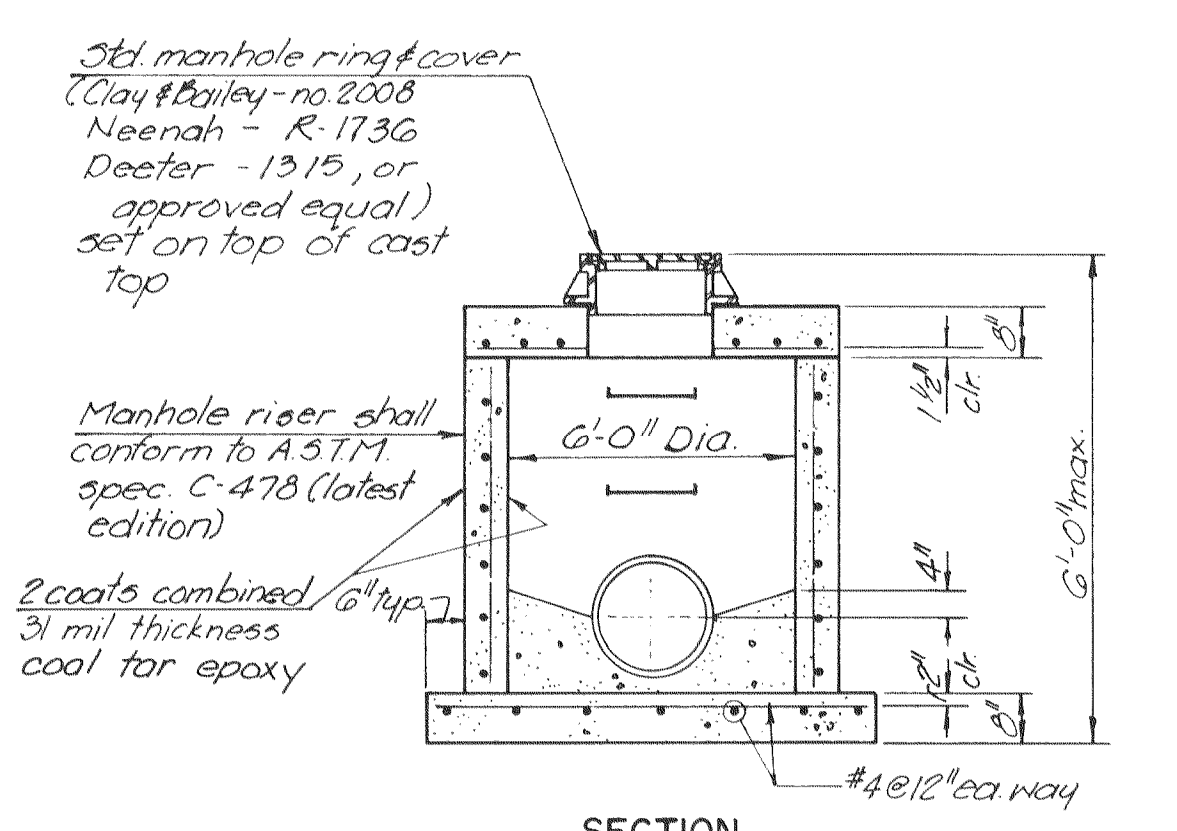
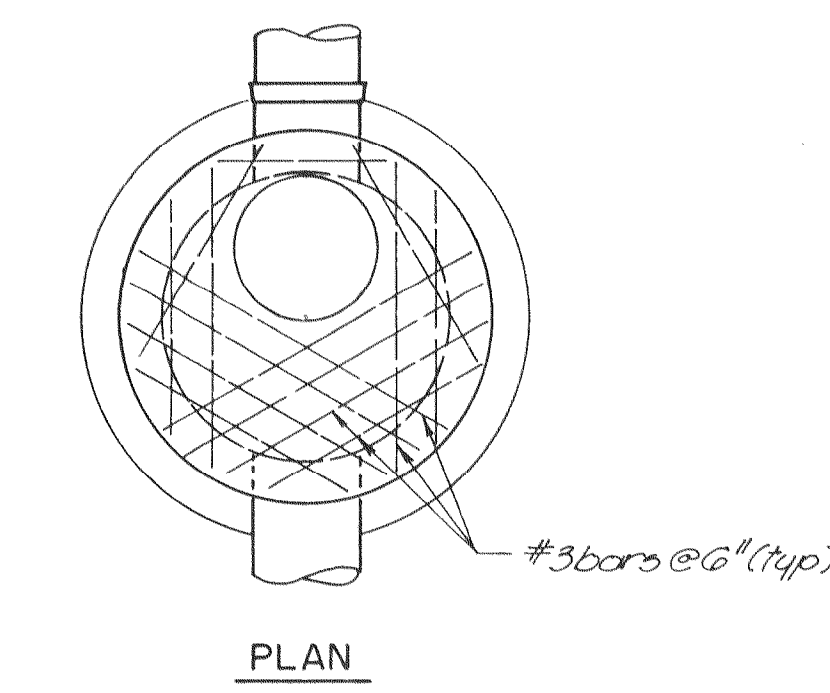


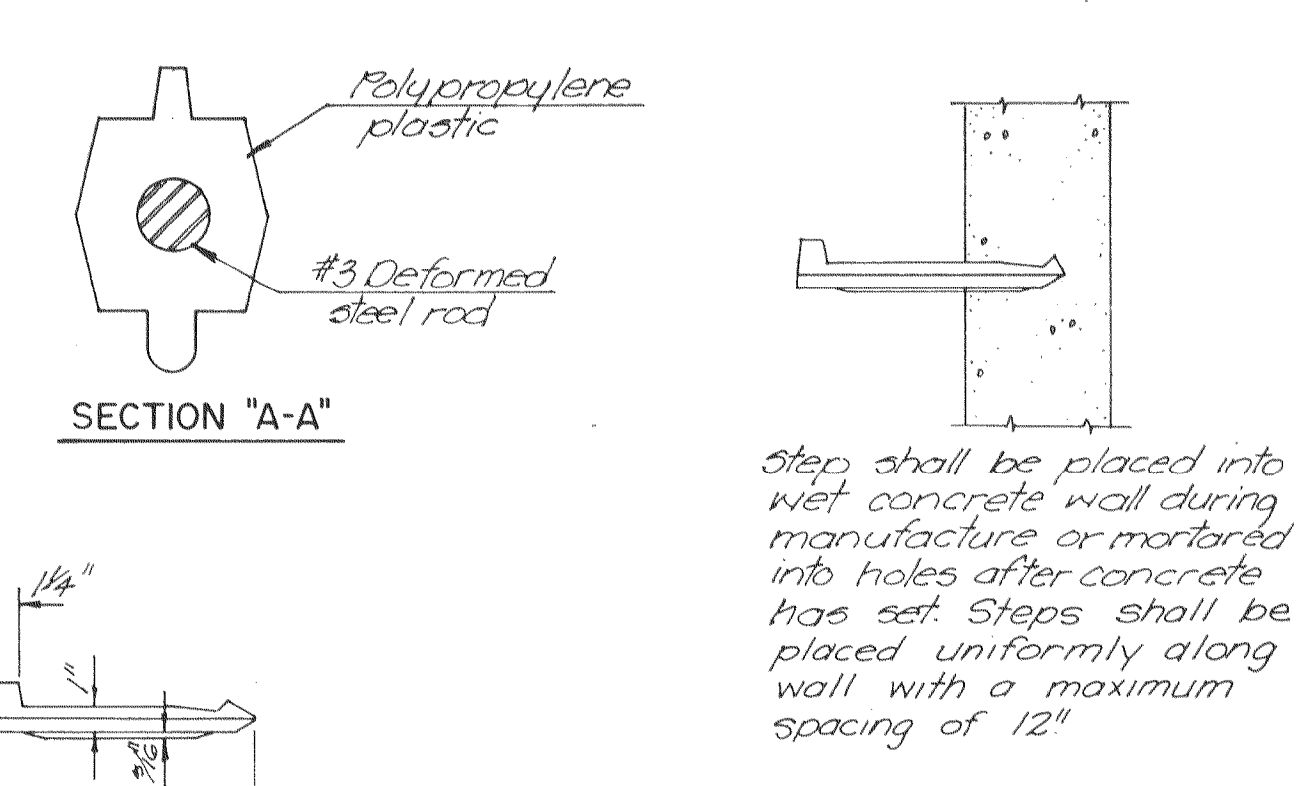
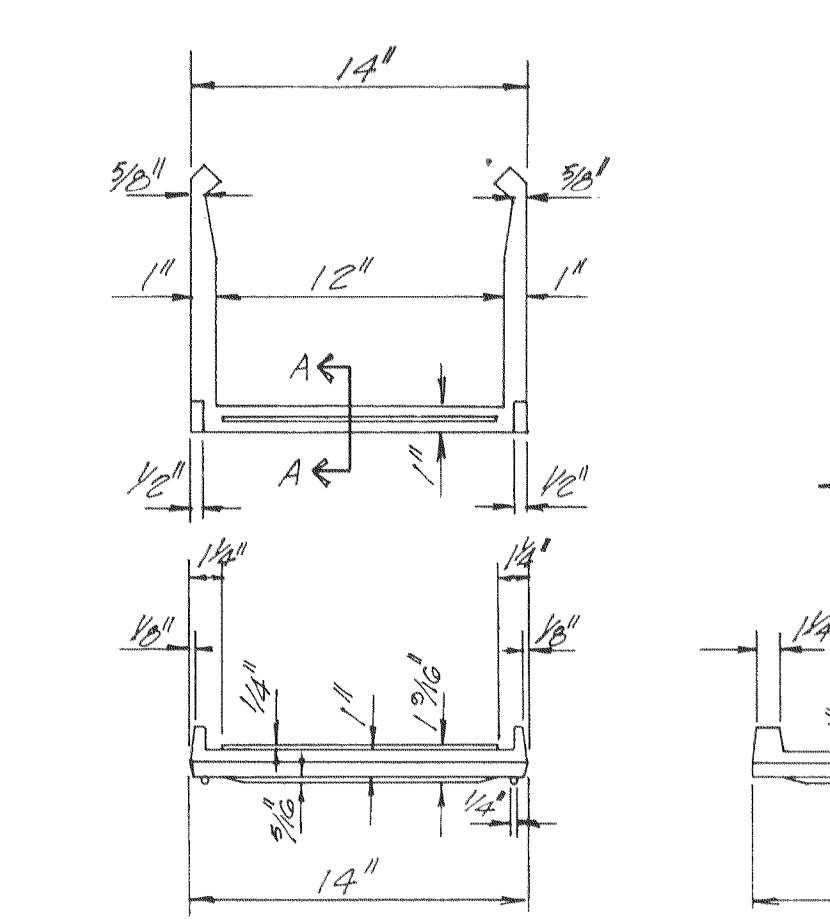
SCUM BAFFLE SUPPORT BRACKET
Scale: 3/4" = 1'-0"



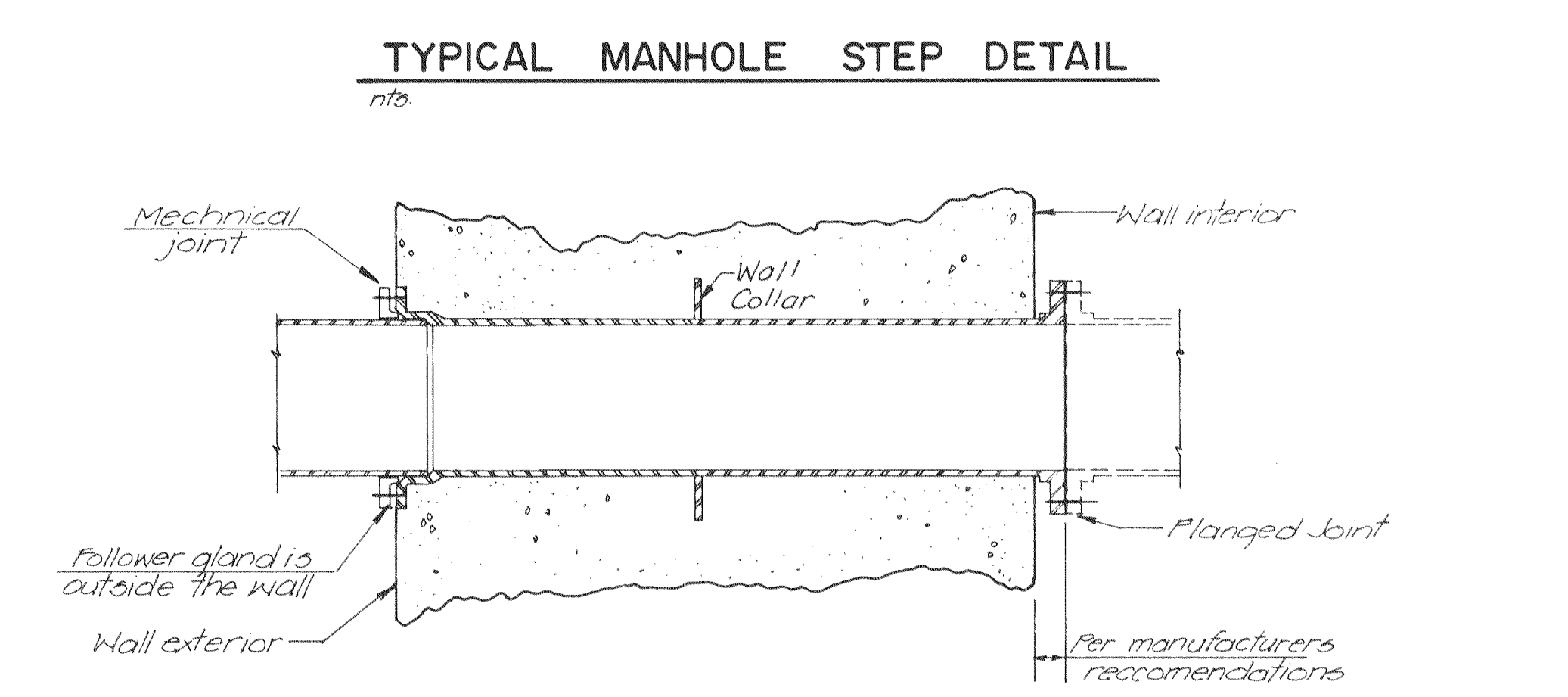
FIBERGLASS WEIR PLATE
Scale: 1" = 1'-0"



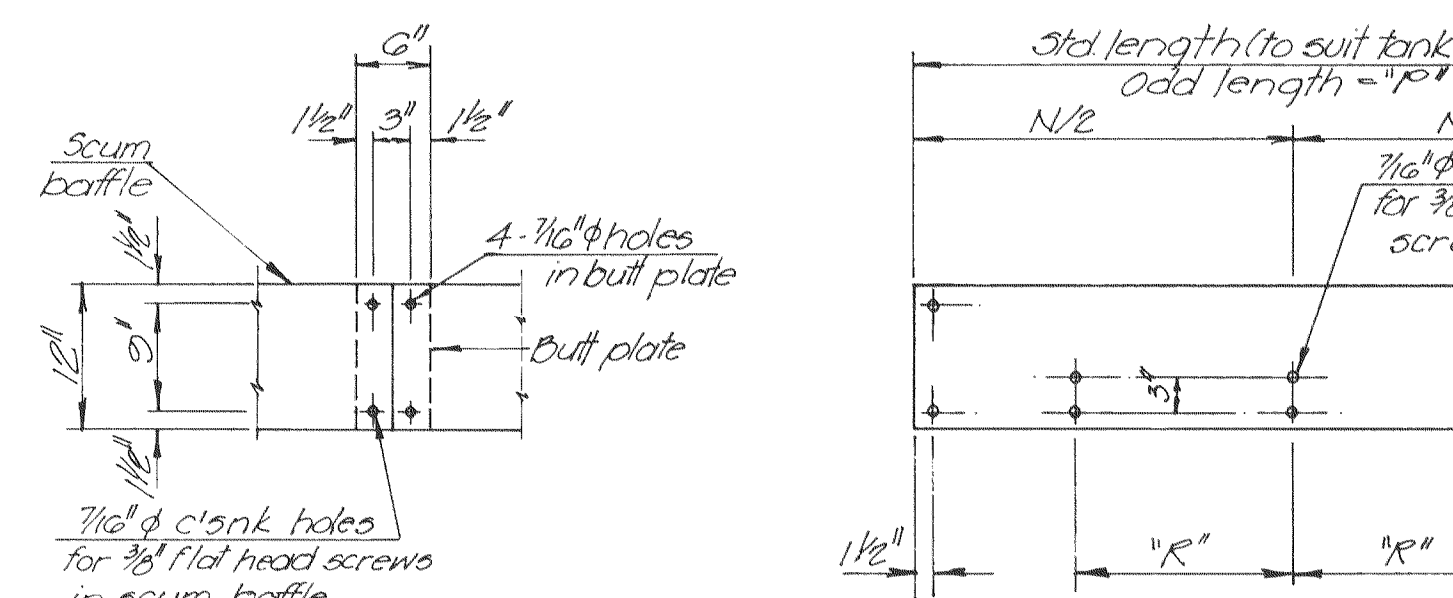
STANDARD PRECAST SHALLOW MANHOLE
Scale: 3/8" = 1'-0"



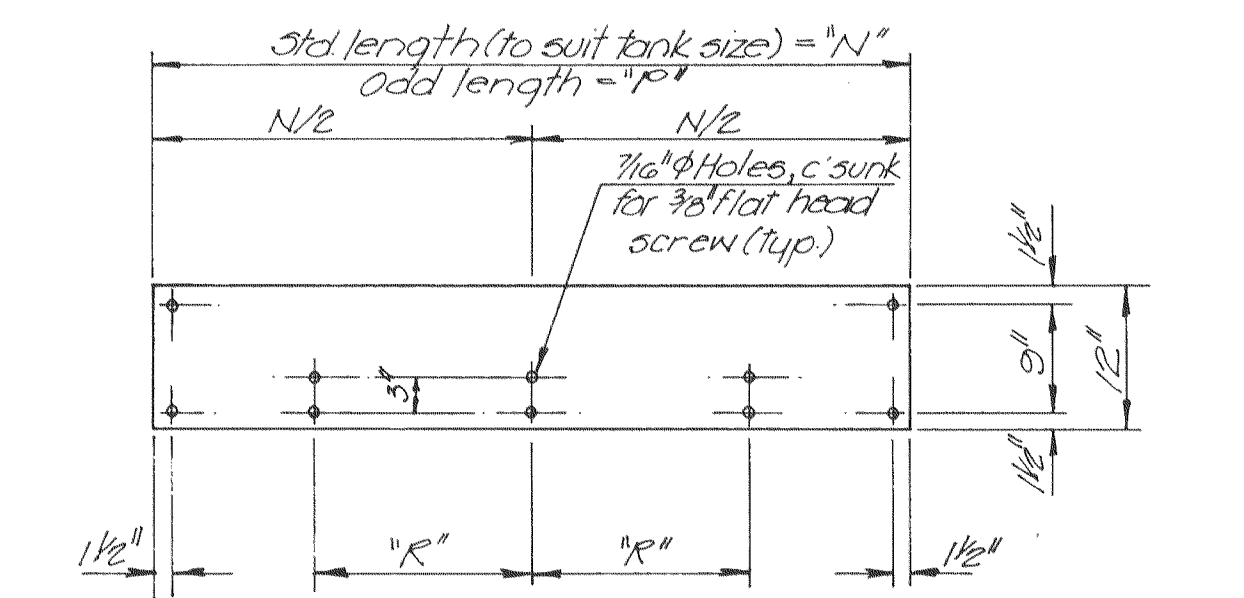
Step shall be placed into wet concrete wall during manufacture or mortared into holes after concrete has set. Steps shall be placed uniformly along wall with a maximum spacing of 12"



WALL PENETRATION w/PIPE SLEEVE DETAILS
(Typical for pipes penetrating the building wall.)

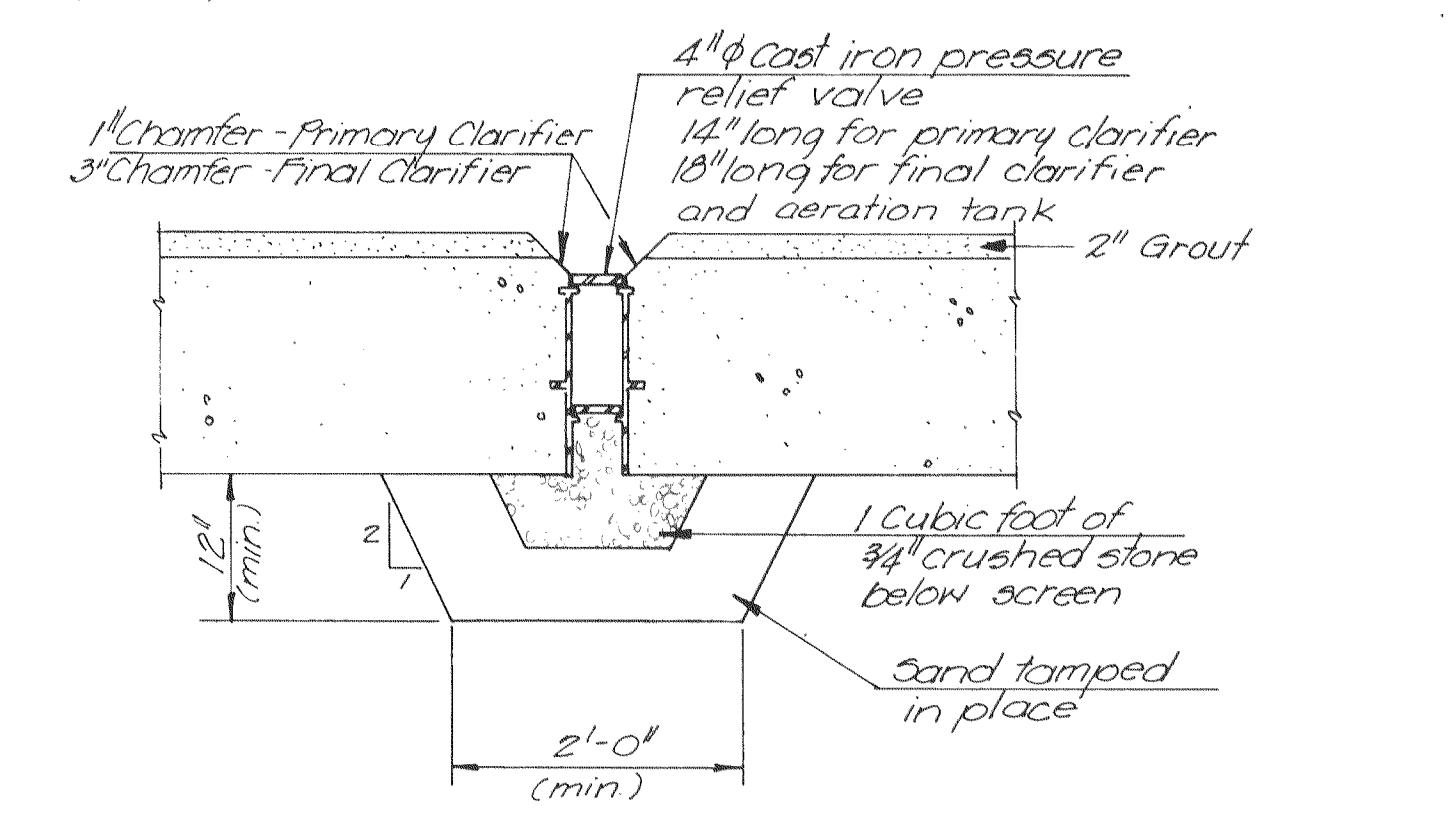


SCUM BAFFLE SPLICE JOINT
Scale: 3/4" = 1'-0"

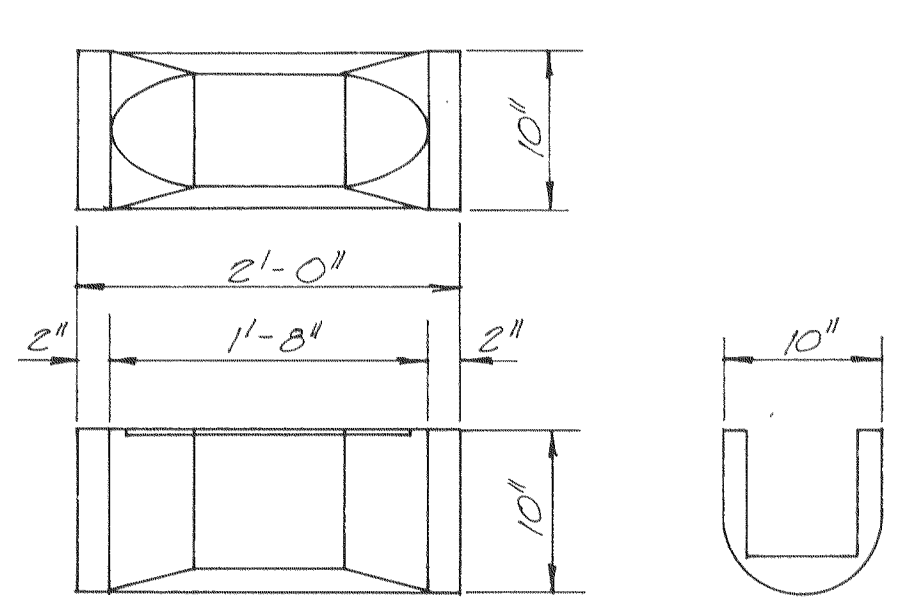


FIBERGLASS SCUM BAFFLE PLATE
Scale: 3/4" = 1'-0"

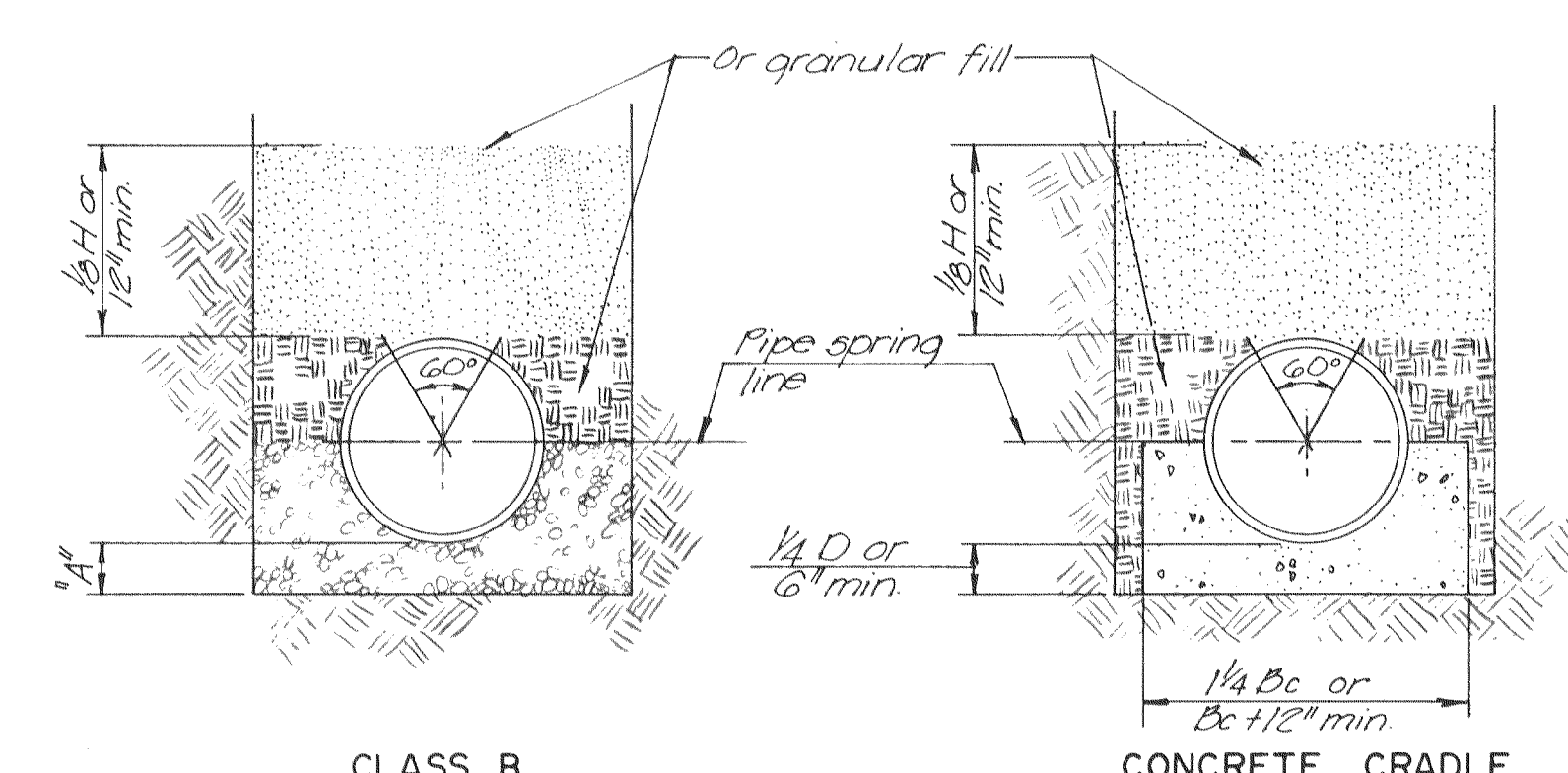
	D	E	F	H	J	N	P	R
Primary Clarifiers (75' I.D.)	7'-6 1/8"	21	1 3/8"	2	1'-7 3/8"	11'-9 1/2"	7'-5 1/8"	5'-11 1/8"
Final Clarifiers (80' I.D.)	11'-3 3/8"	32	1 3/8"	4	1'-3 3/8"	11'-9 3/8"	11'-1 1/8"	3'



PRESSURE RELIEF VALVE
Scale: 3/4" = 1'-0"



FIBERGLASS MEASURING FLUME



- LEGEND**
- Bc - Outside dia. of pipe
 - H - Backfill cover above top of pipe
 - D - Nominal pipe size (see table below)
 - A - Fill below pipe (see table below)
 - Hand placed backfill
 - Tamped backfill
 - Granular fill
 - Concrete
- TABLE OF FILL BELOW PIPE**
- | "D" | "A" min. |
|---------------|----------|
| 27" & smaller | 3" |
| 30" to 60" | 4" |
| 66" & larger | 6" |
- NOTES**
- GRANULAR FILL to be crushed stone or pea gravel with not less 95% passing 1/2" and not less than 95% to be retained on a #4, to be placed in not more than 6" layers and compacted by slicing with a shovel. (1/2" & #4 refers to sieve size)
 - TAMPED BACKFILL shall be finely divided job excavated material free from debris, organic material and stones, compacted to 95% maximum density as determined by AASHTO Standard Method T-99 Granular fill may be substituted for tamped backfill to top of the pipe.
 - HAND PLACED BACKFILL shall be finely divided material free from debris and stones.
 - All bedding details apply to building sewer service lines as well as other sewers.
 - Concrete cradle shall be used when trench width exceeds 24" plus the pipe diameter.

EPA PROJECT NO. C291090 Rev. 3-82 MKK

GBA
GEORGE BUTLER ASSOCIATES
CONSULTING ENGINEERS/ARCHITECTS
LANDSCAPE ARCHITECTS/PLANNERS

OFFICES:
SUITE 305-A FAIRWAY OFFICE CENTER
4210 JOHNSON DRIVE / SHAWNEE MISSION / KANSAS 66205
1100 CITY CENTER SQUARE
1100 MAIN / KANSAS CITY / MISSOURI 64105
SUITE 134 LAKESIDE PLAZA II
6700 CORPORATE DRIVE / KANSAS CITY / MISSOURI 64120

WASTEWATER TREATMENT PLANT EXPANSION
MISCELLANEOUS PIPING DETAILS

CITY OF FALLON, MISSOURI

DESIGNED BY W.C.C./J.L.S. DRAWN BY C. ROYCE CHECKED BY W.A.C.

JOB NO 79-2065
DATE July 30, 1981
SCALE As shown
SHEET NO. 65 OF 88