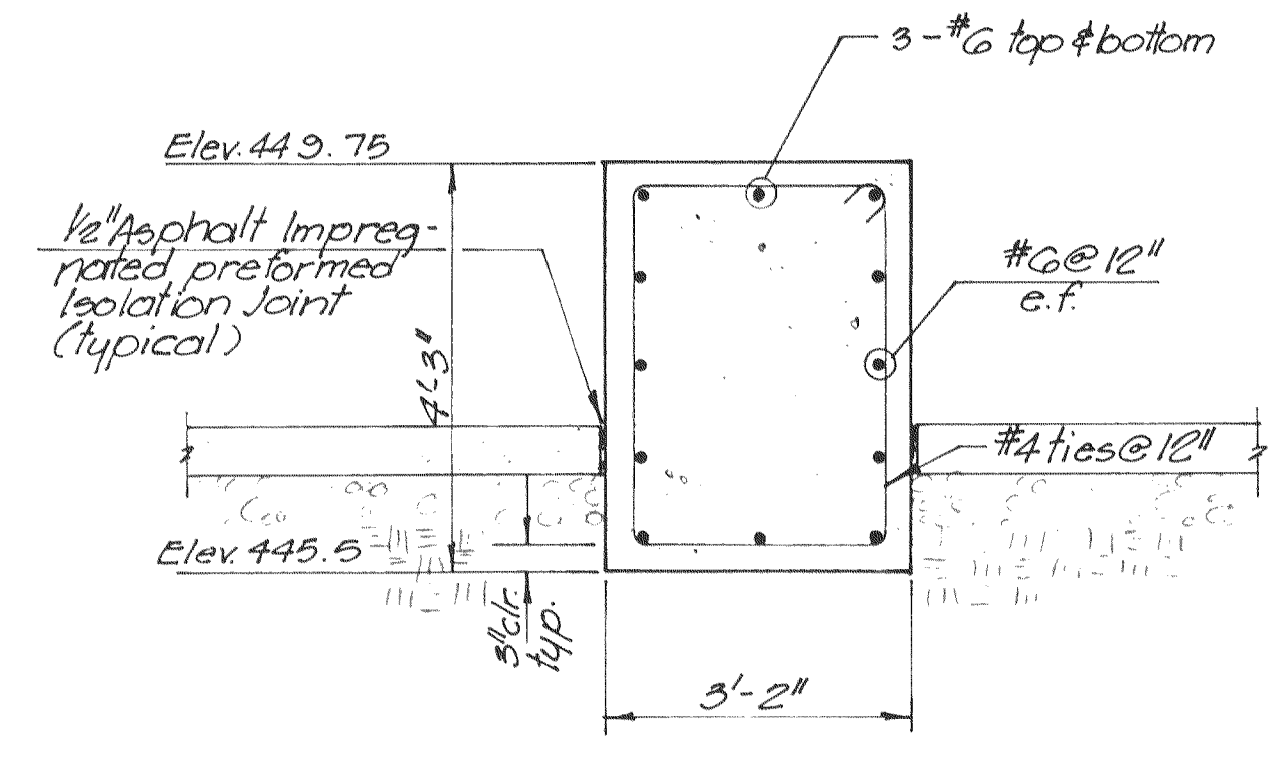
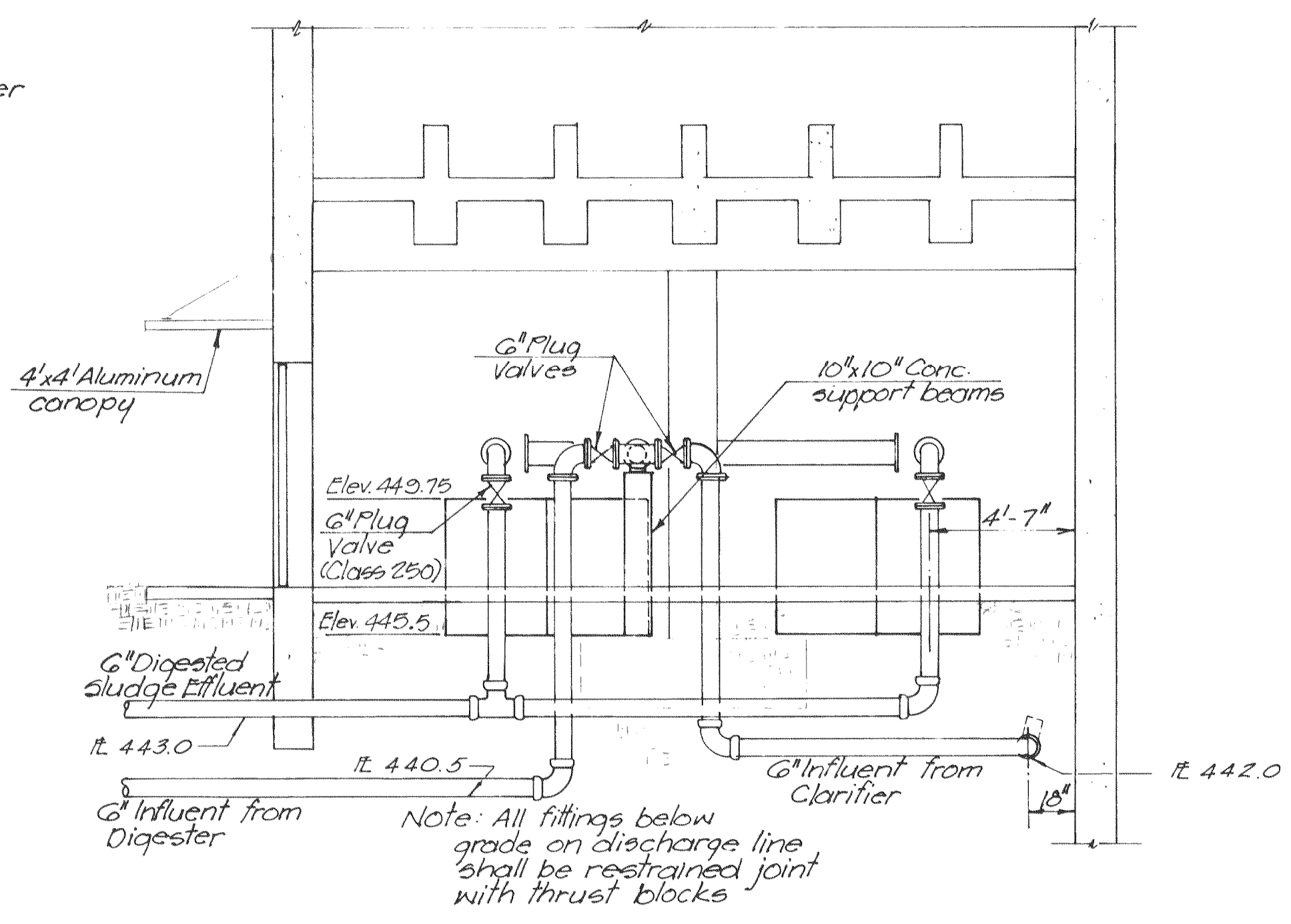


BIO-FILTER No. 3 FLOOR PLAN
Scale: 1/4" = 1'-0"

Note: All valves, fittings, and flanges on digested sludge discharge line shall be designed for 250 P.S.I. working pressure.



SECTION 2
Scale: 1/2" = 1'-0"



SECTION 1
Scale: 1/4" = 1'-0"

GBA
GEORGE BUTLER ASSOCIATES, INC.
CONSULTING ENGINEERS/ARCHITECTS
LANDSCAPE ARCHITECTS/PLANNERS

OFFICES:
SUITE 305-A FAIRWAY OFFICE CENTER
4210 JOHNSON DRIVE - SHAWNEE MISSION - KANSAS 66205
1100 CITY CENTER SQUARE
1100 MAIN - KANSAS CITY - MISSOURI 64105
THE ENTERPRISE BUILDING
8300 ENTERPRISE ROAD - KANSAS CITY - MISSOURI 64120

**WASTEWATER TREATMENT
PLANT EXPANSION
BIO-FILTER No. 3
FLOOR PLAN**
CITY OF FALLON, MISSOURI

DESIGNED BY: R.E.C. DRAWN BY: C. Royce CHECKED BY: W.A.C.

JOB NO. 79-2065
DATE 3/7/82
SCALE As shown
SHEET NO. 67 OF 88