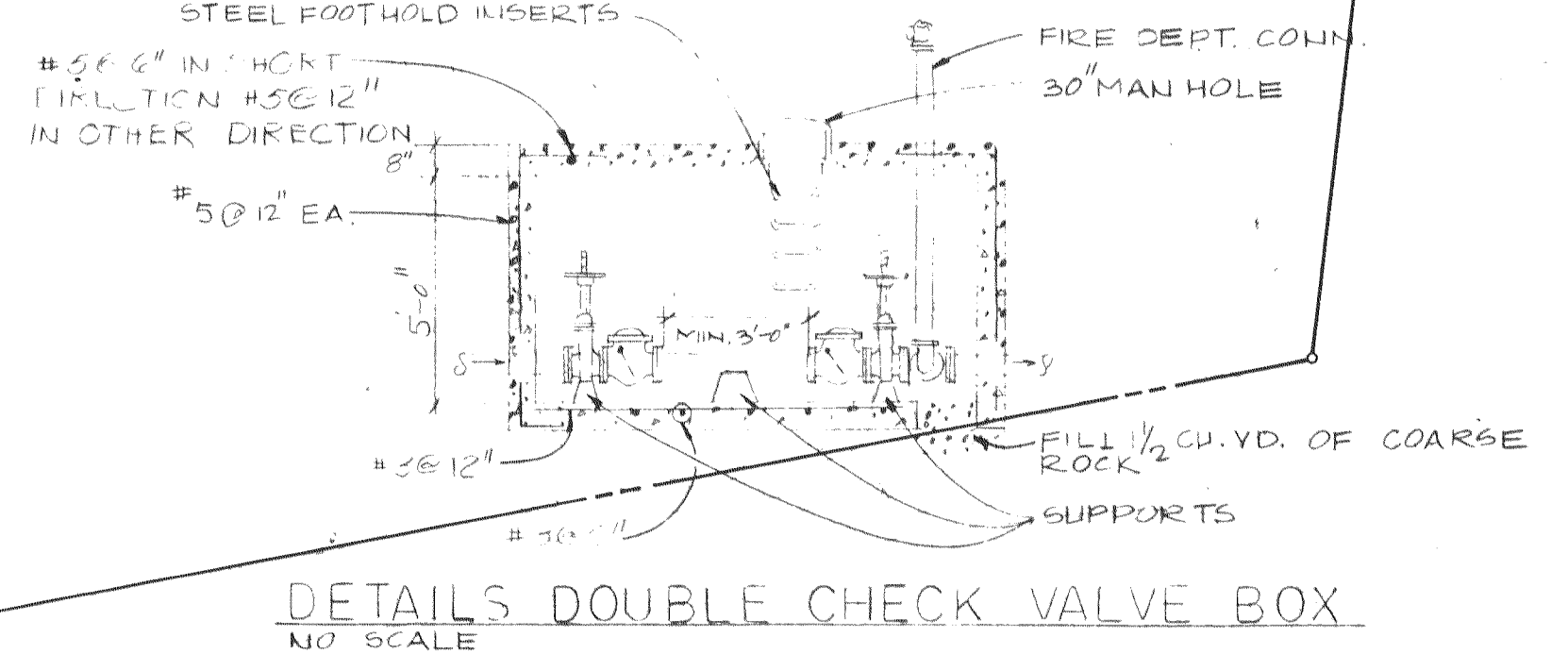
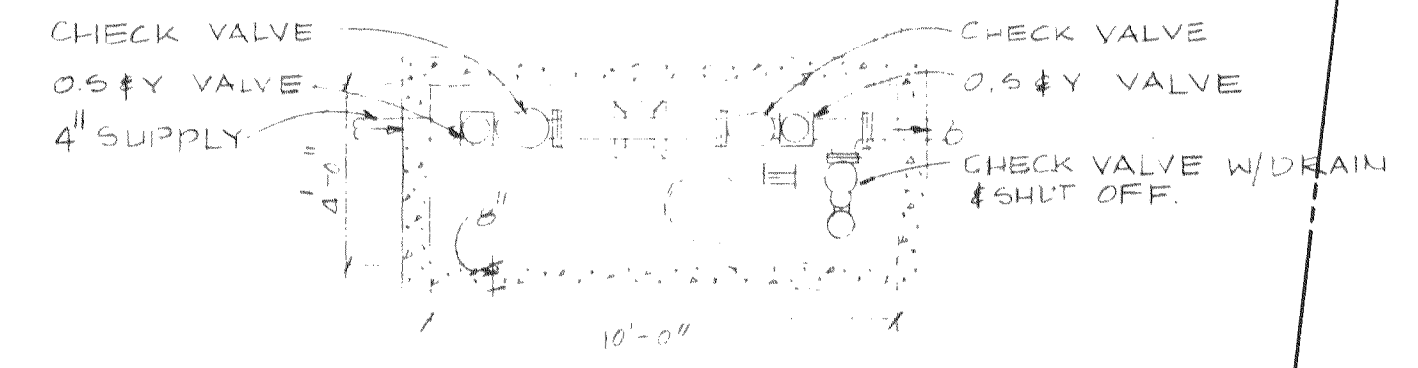
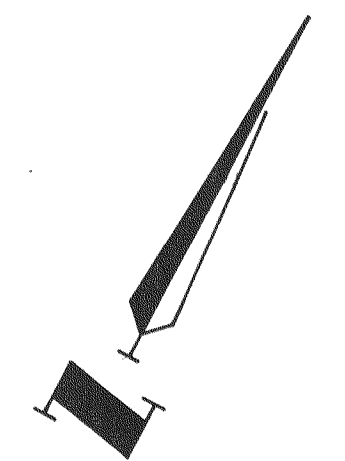


FIRE HYDRANT INSTALLATION DETAILS
NO SCALE (TYPICAL @ 2 PLACES.)



DETAILS DOUBLE CHECK VALVE BOX
NO SCALE



SCALE: 1" = 50'

U.S. HIGHWAY NO. 79

PERUQUE CREEK

EPA PROJECT NO. C291090

MI

GBA
GEORGE BUTLER ASSOCIATES
CONSULTING ENGINEERS/ARCHITECTS
LANDSCAPE ARCHITECTS/PLANNERS

OFFICES:
SUITE 305-A FAIRWAY OFFICE CENTER
4210 JORDISON DRIVE / SUWANEE MISSION / KANSAS 66205
1100 CITY CENTER SQUARE
1100 MAIN / KANSAS CITY / MISSOURI 64105
SUITE 134 LAKESIDE PLAZA II
6700 CORPORATE DRIVE / KANSAS CITY / MISSOURI 64120

**WASTE WATER TREATMENT
PLANT EXPANSION
SITE PLAN - PLUMBING**

CITY OF O'FALLON, MISSOURI

DESIGNED BY: J.P.A. DRAWN BY: M.E.P. CHECKED BY: [Signature]

JOB NO. 79-2065
DATE 30 JULY 81
SCALE 1" = 50'
SHEET NO. 74 OF 88