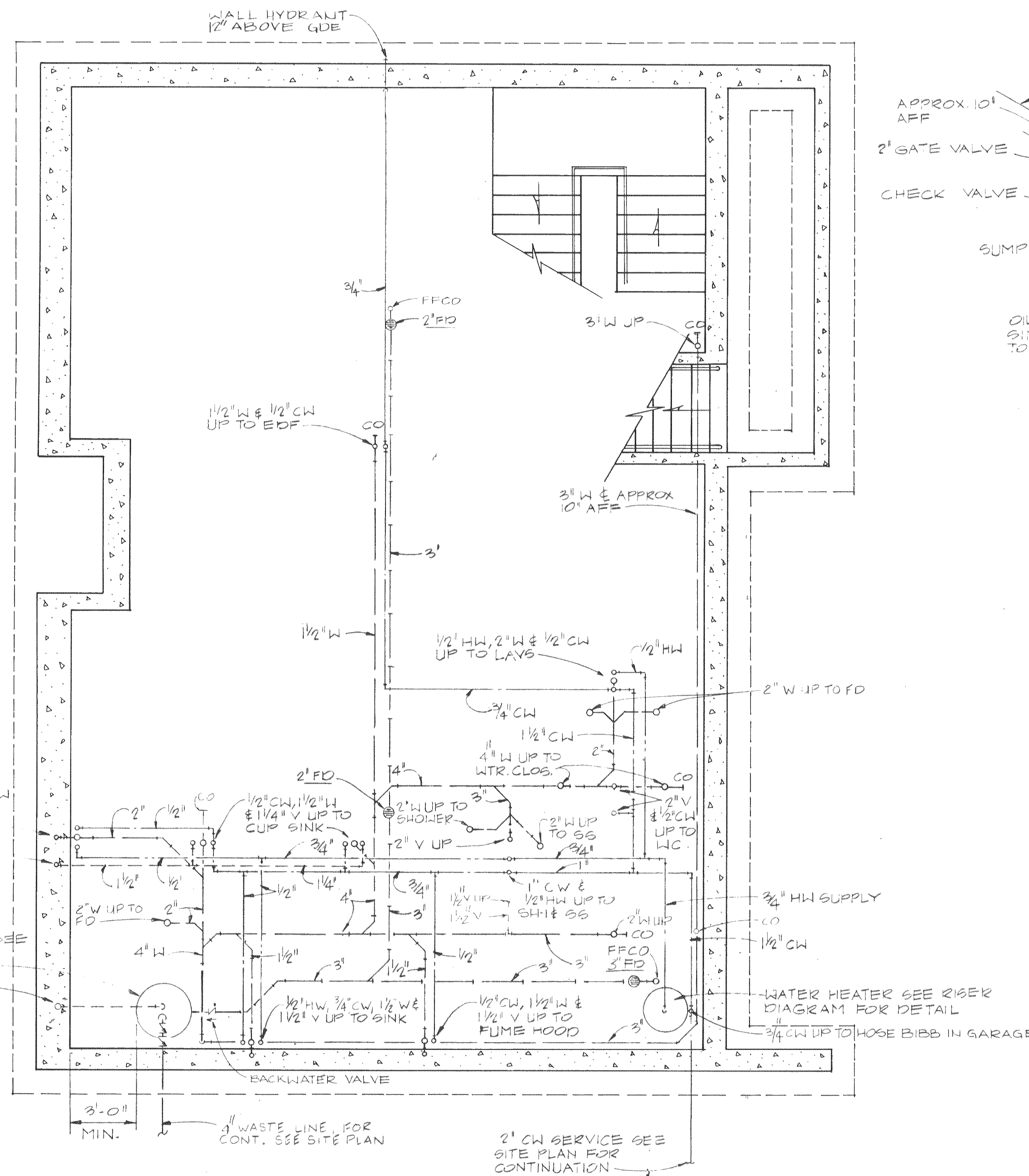
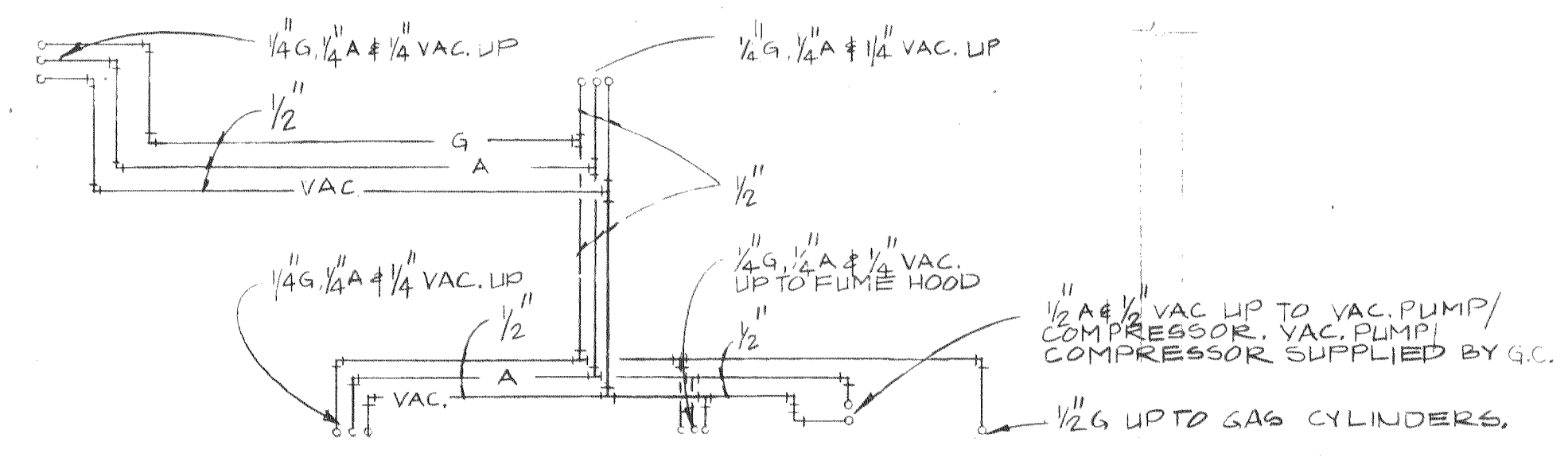


SCHEDULE- DIFFUSERS, GRILLES & REGISTERS

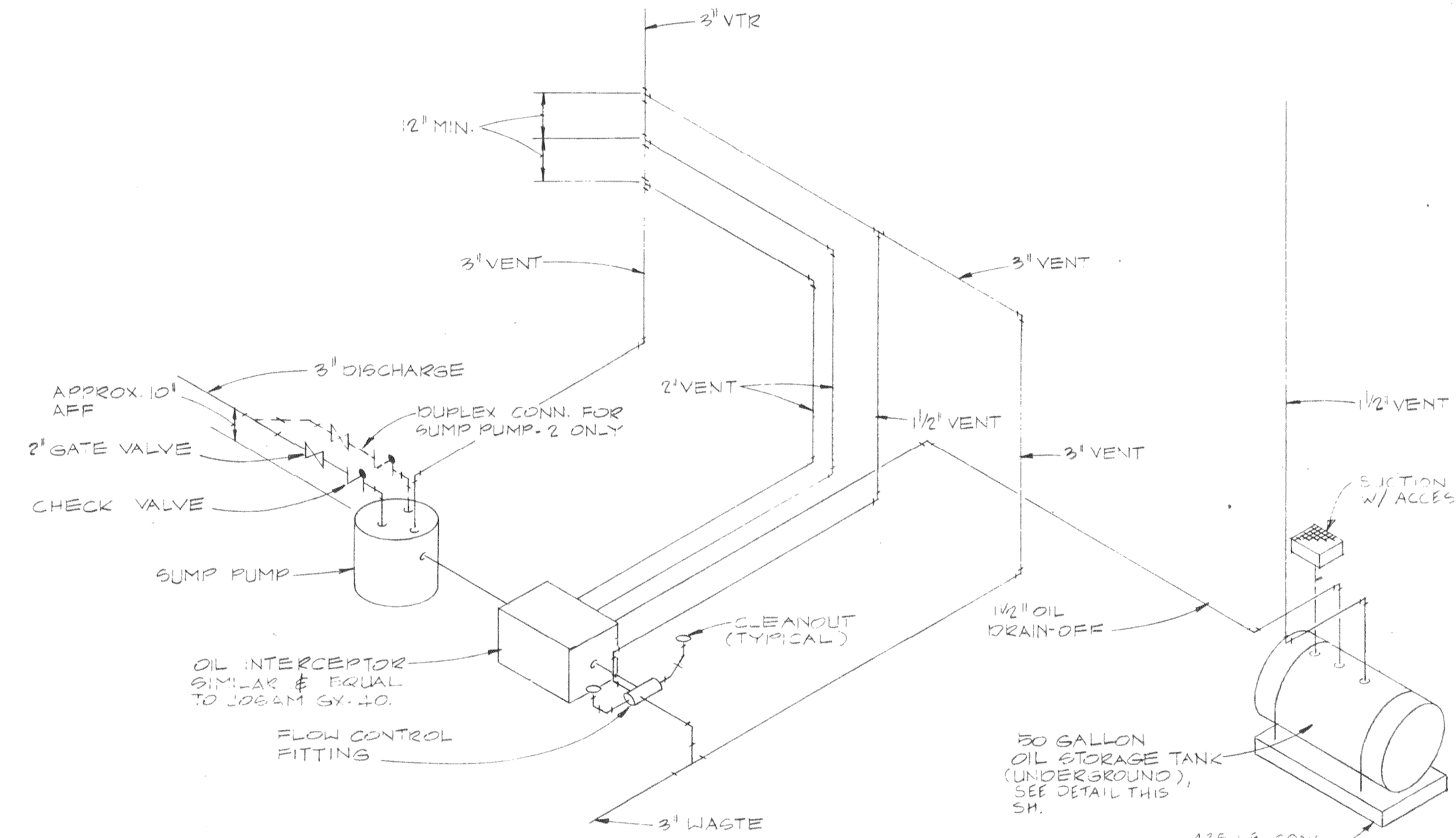
NO.	SIZE	MODEL NO.	REMARKS
SUPPLY DIFFUSER			
SD-1	24" x 24"	TDC	
SD-2	12" x 12"		
SD-3	4" x 4"		
SD-4	6" x 6"		
SUPPLY REGISTERS			
SR-1	28" x 24"	272RL5	
SR-2	30" x 30"	SAME	
RETURN REGISTER			
RR-1	6" x 6"	23RL5	CORE 13
RR-2	10" x 10"	SAME	SAME
RETURN GRILLE			
RG-1	30" x 30"	23RL	CORE 23
RG-2		EGG CRATE	



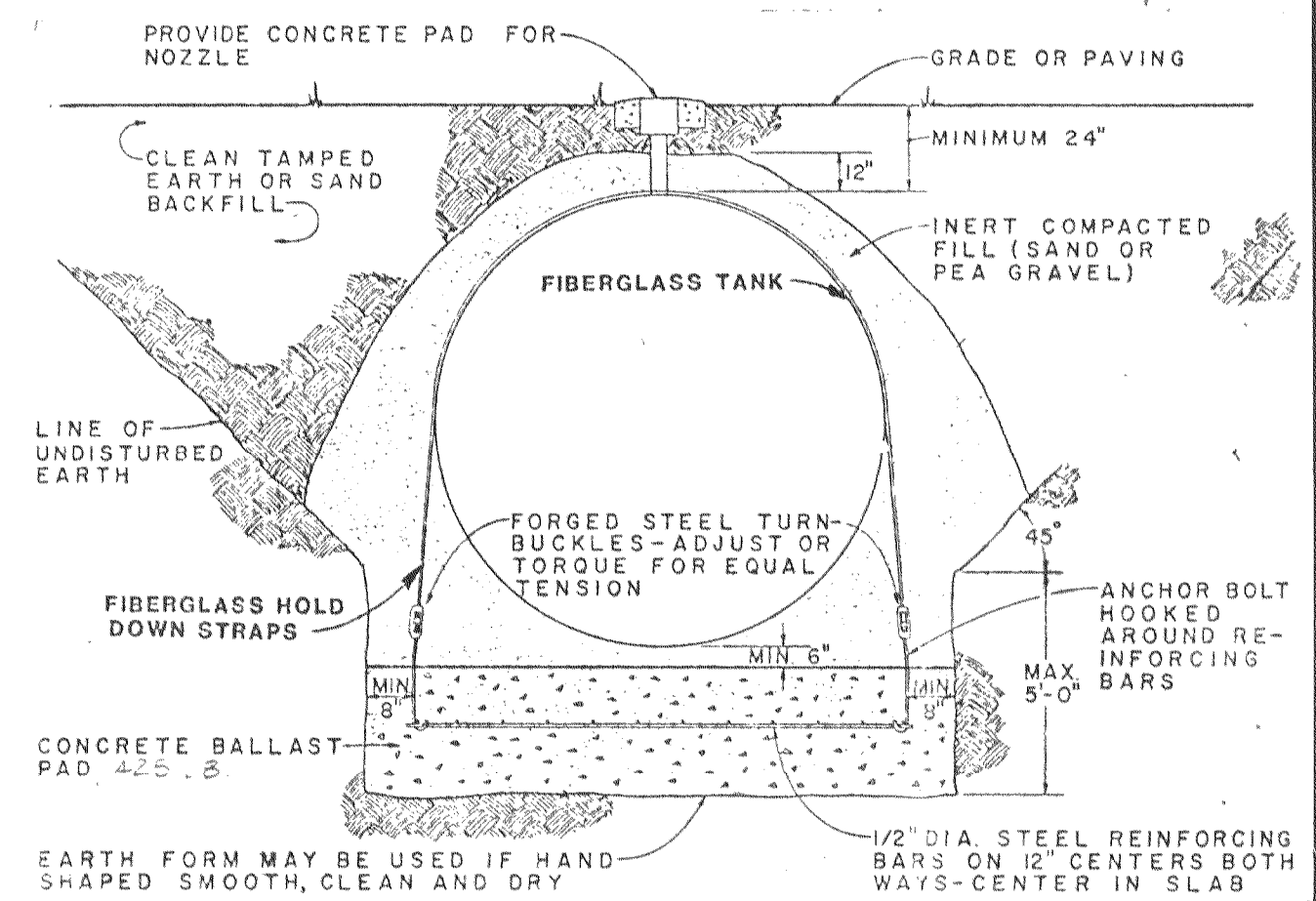
BASEMENT FLOOR PLAN
SCALE: 1/4" = 1'-0"



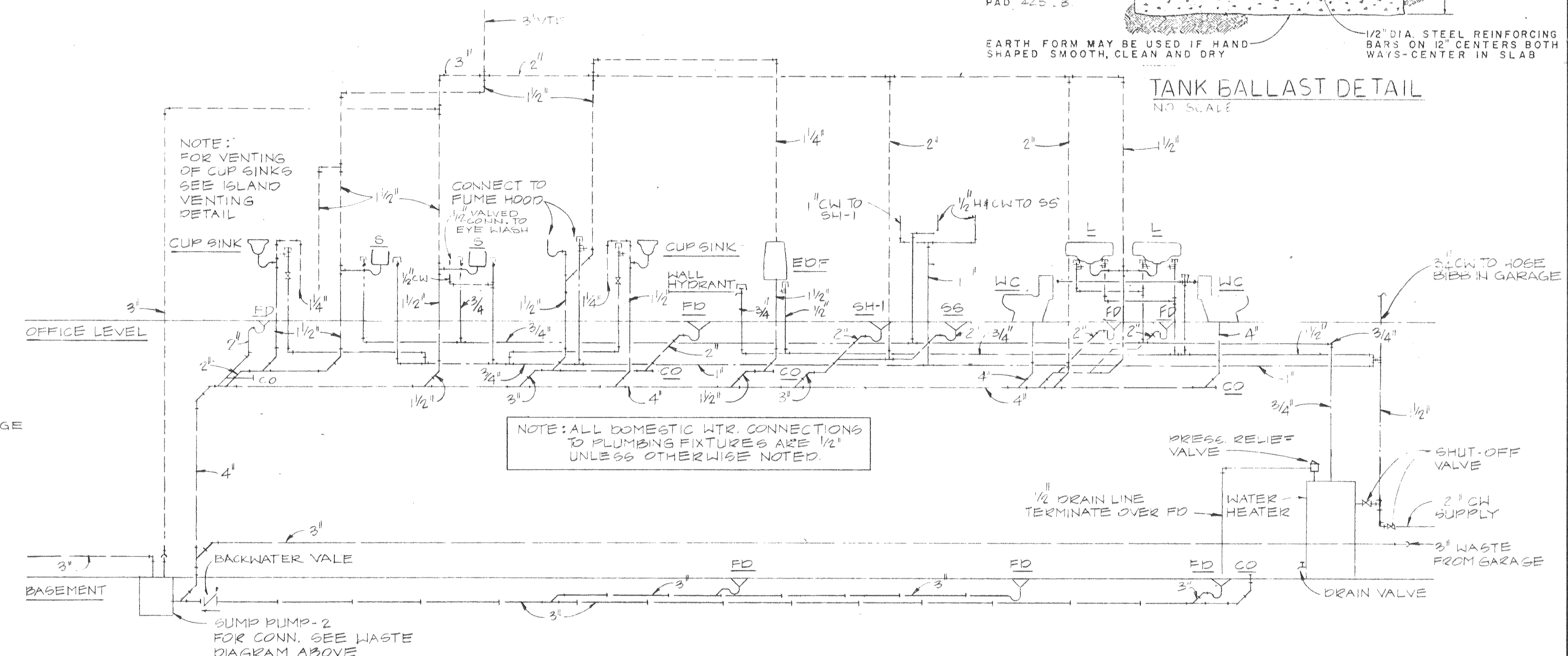
PARTIAL BASEMENT PLAN
SCALE: 1/4" = 1'-0"



PLUMBING RISER
NO SCALE



TANK BALLAST DETAIL
NO SCALE



OFFICE RISER DIAGRAM
NO SCALE

NOTE:--
THE BACKWATER VALVE SHOULD BE JOSAM SERIES 100-10 SWING-CHECK OFFSET TYPE OR APPROVED EQUAL.

EPA PROJECT NO. C291090

GBA
GEORGE BUTLER ASSOCIATES
CONSULTING ENGINEERS/ARCHITECTS
LANDSCAPE ARCHITECTS/PLANNERS

OFFICES:
SUITE 305-A FAIRWAY OFFICE CENTER
4210 JOHNSON DRIVE / SHAWNEE MISSION / KANSAS 66205
1100 CITY CENTER SQUARE
1100 MAIN / KANSAS CITY / MISSOURI 64105
SUITE 134 LAKESIDE PLAZA B
6700 CORPORATE DRIVE / KANSAS CITY / MISSOURI 64120

WASTE WATER TREATMENT PLANT EXPANSION
MAIN OFFICE BUILDING
BASEMENT FLOOR-HVAC & PLUMBING
CITY OF O'FALLON, MISSOURI

DESIGNED BY J.P.A. DRAWN BY M.E.P. CHECKED BY G.E.S.

M3

JOB NO. 79-2065
DATE 30 JULY 81
SCALE AS SHOWN
SHEET NO. 76 OF 88