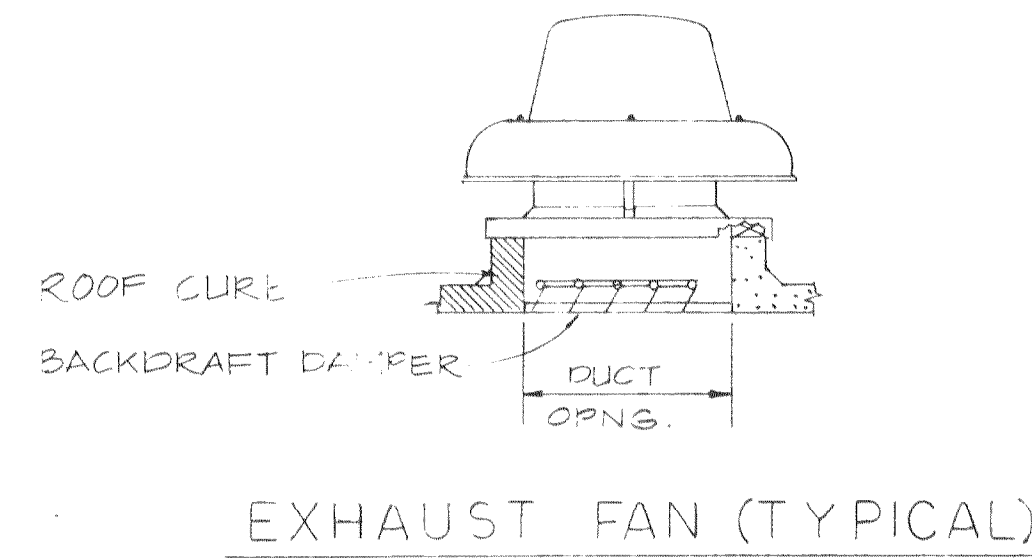
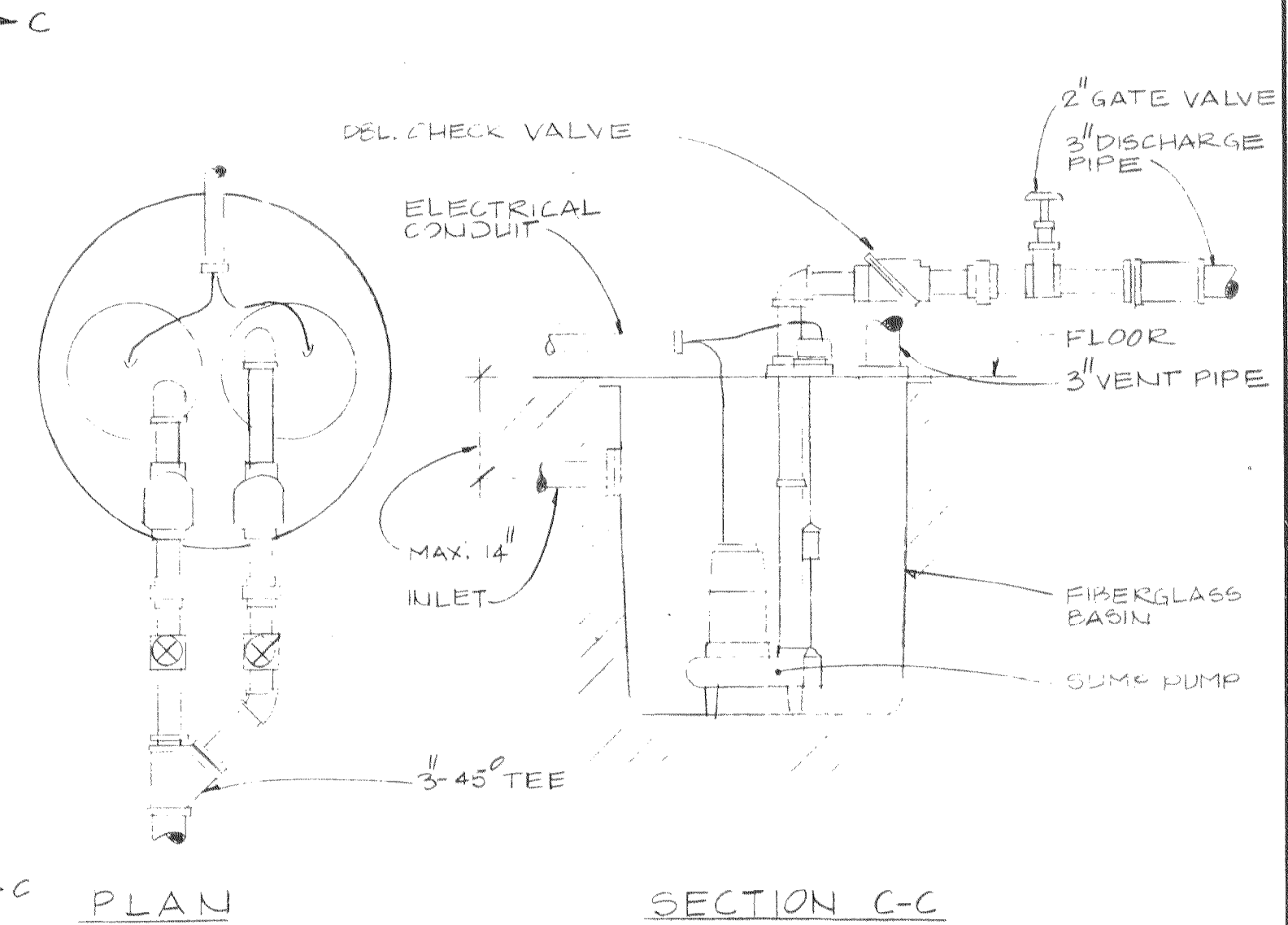


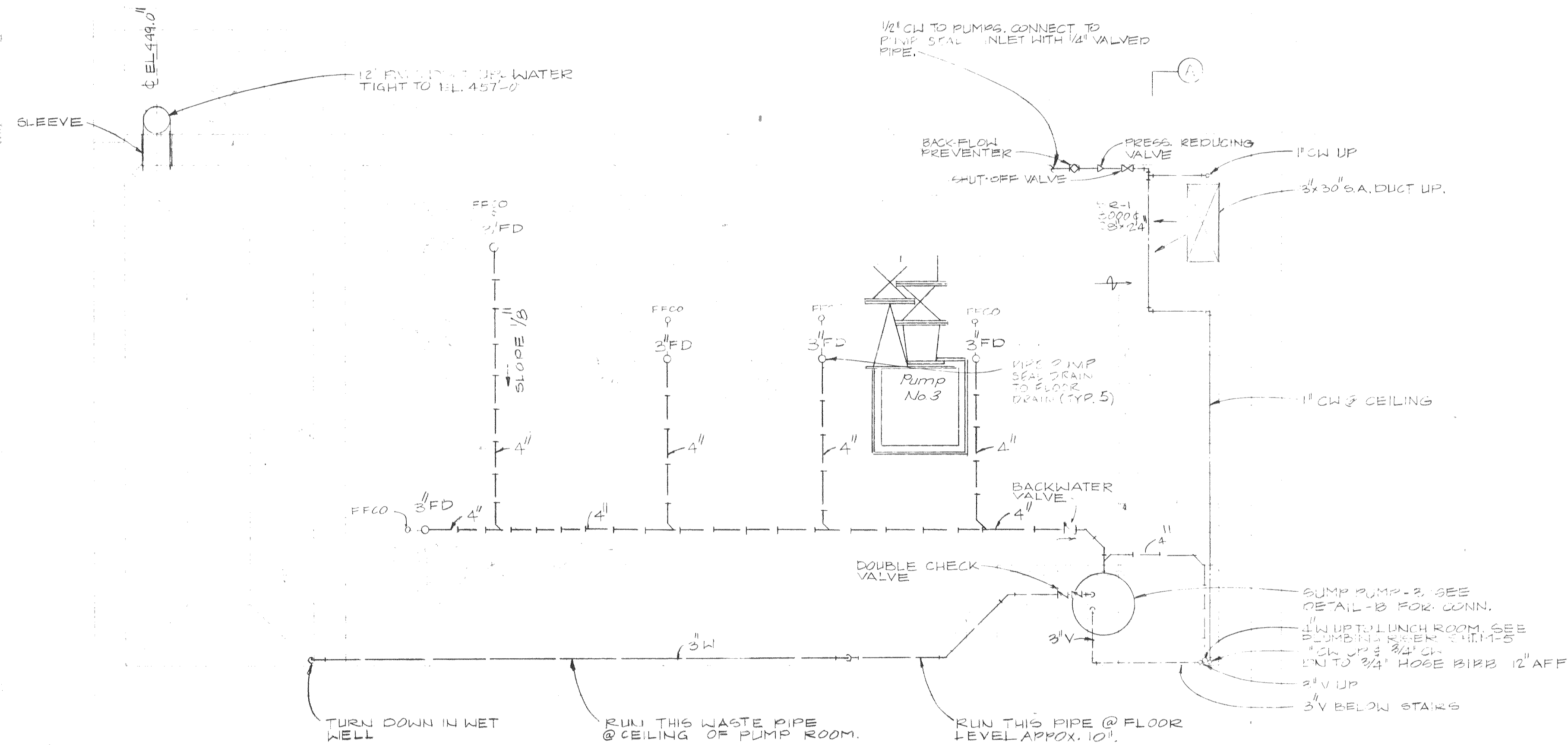
YARD HYDRANT
NO SCALE



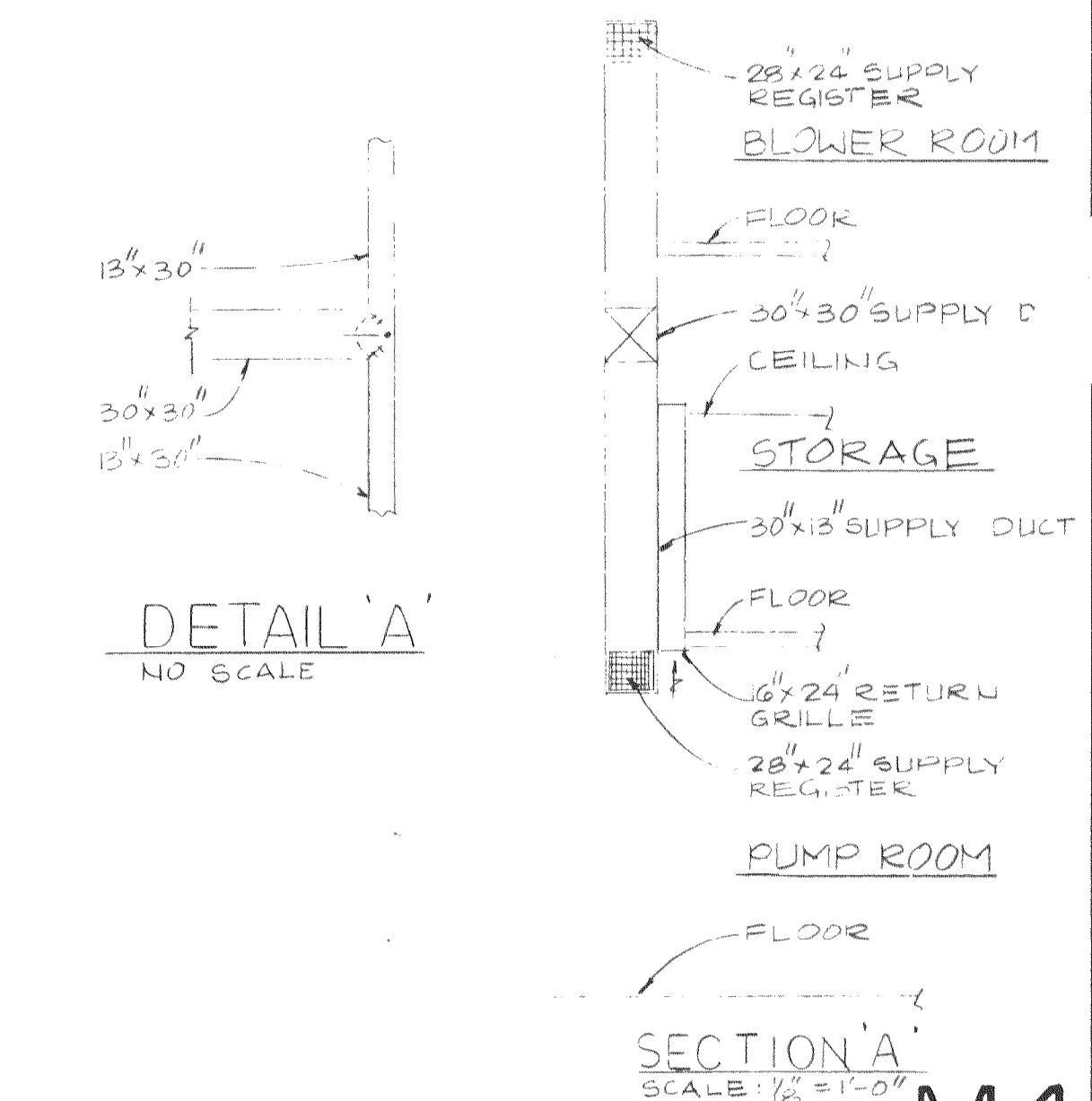
EXHAUST FAN (TYPICAL)



DETAIL - B
NO SCALE



BASEMENT FLOOR PLAN
SCALE: 1/4" = 1'-0"



DETAIL 'A'
NO SCALE

SECTION 'A'
SCALE: 1/2" = 1'-0"

EPA PROJECT NO. C291090

GBA
GEORGE BUTLER ASSOCIATES
CONSULTING ENGINEERS/ARCHITECTS
LANDSCAPE ARCHITECTS/PLANNERS

OFFICES:
SUITE 305-A FAIRWAY OFFICE CENTER
4210 JOHNSON DRIVE / SHARREE MISSION / KANSAS 66205
1100 CITY CENTER SQUARE
1100 MAIN / KANSAS CITY / MISSOURI 64105
SUITE 134 LAKESIDE PLAZA II
6700 CORPORATE DRIVE / KANSAS CITY / MISSOURI 64120

**WASTE WATER TREATMENT
PLANT EXPANSION
BIO-FILTER BUILDING
BASEMENT FLOOR-HVAC & PLUMBING**
CITY OF O'FALLON, MISSOURI

DESIGNED BY: J.P.A. DRAWN BY: J.P.A., J.E.P. CHECKED BY: G.E.S.

JOB NO. 79-2065
DATE 30 JULY 81
SCALE AS SHOWN
SHEET NO. 77 OF 88

M4