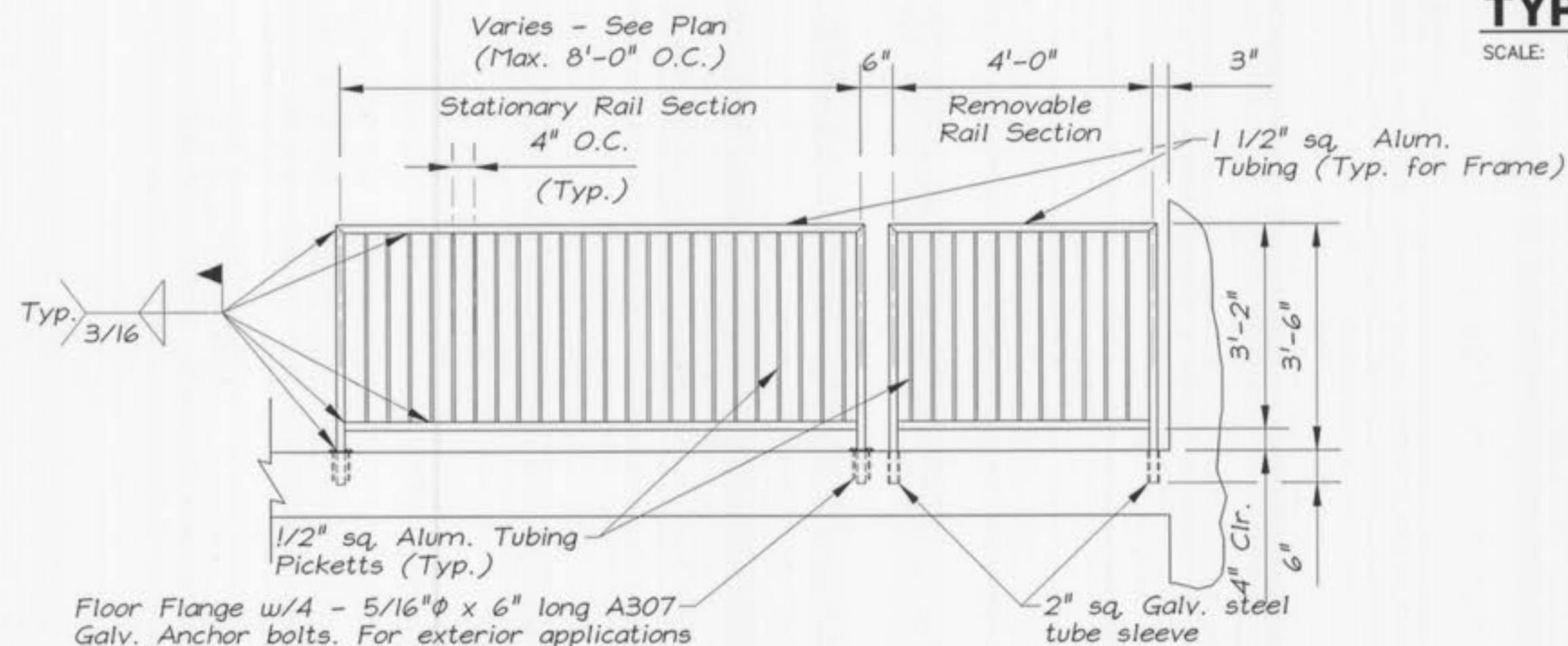


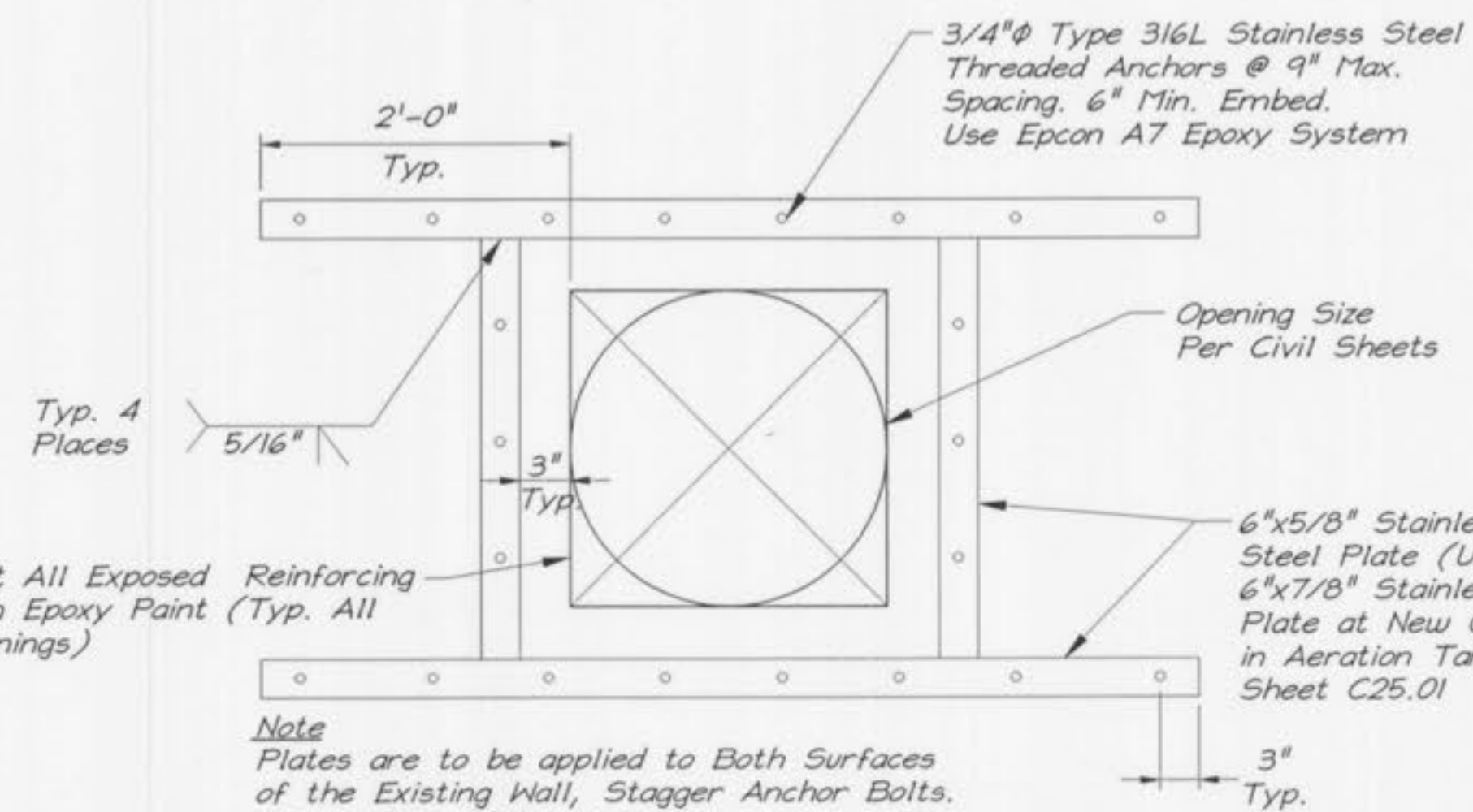
TYPICAL FENCE DETAIL

SCALE: N.T.S.



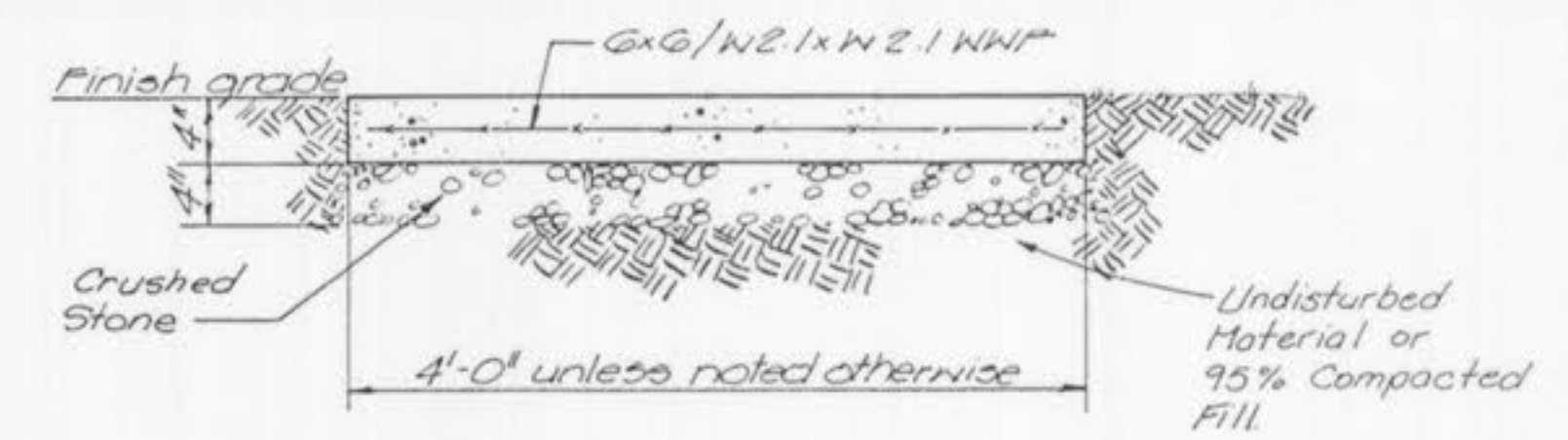
TYPICAL HANDRAIL DETAIL

SCALE: 1/2" = 1'-0"



TYP. EXIST. CONCRETE WALL OPENING REINFORCING

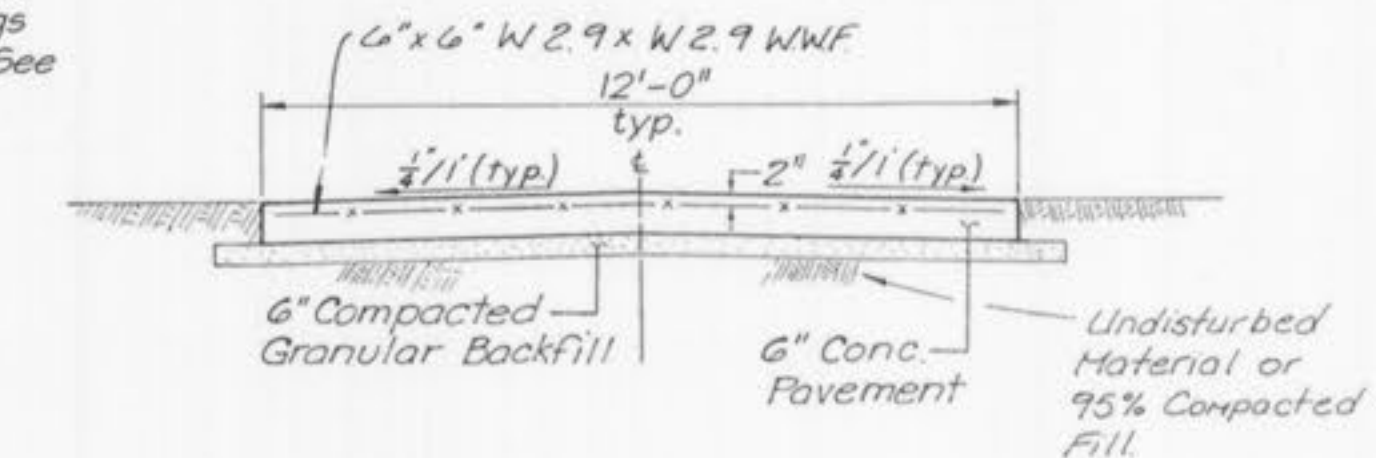
SCALE: N.T.S.



TYPICAL SIDEWALK DETAIL

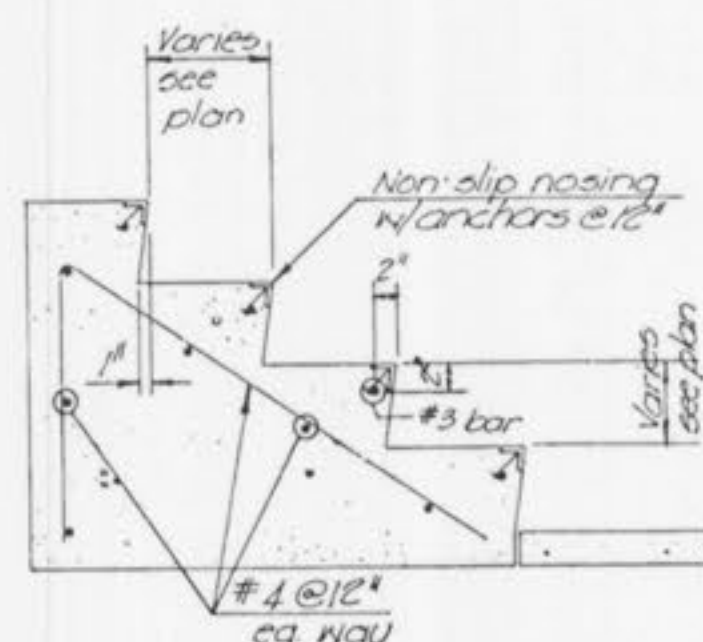
SCALE: 1" = 1'-0"

NOTE: 1) Slabs to be poured in maximum lengths of 6'-0" separated by 1/4" expansion joint material.
2) Edges to be toolled, surface to be broom finished.



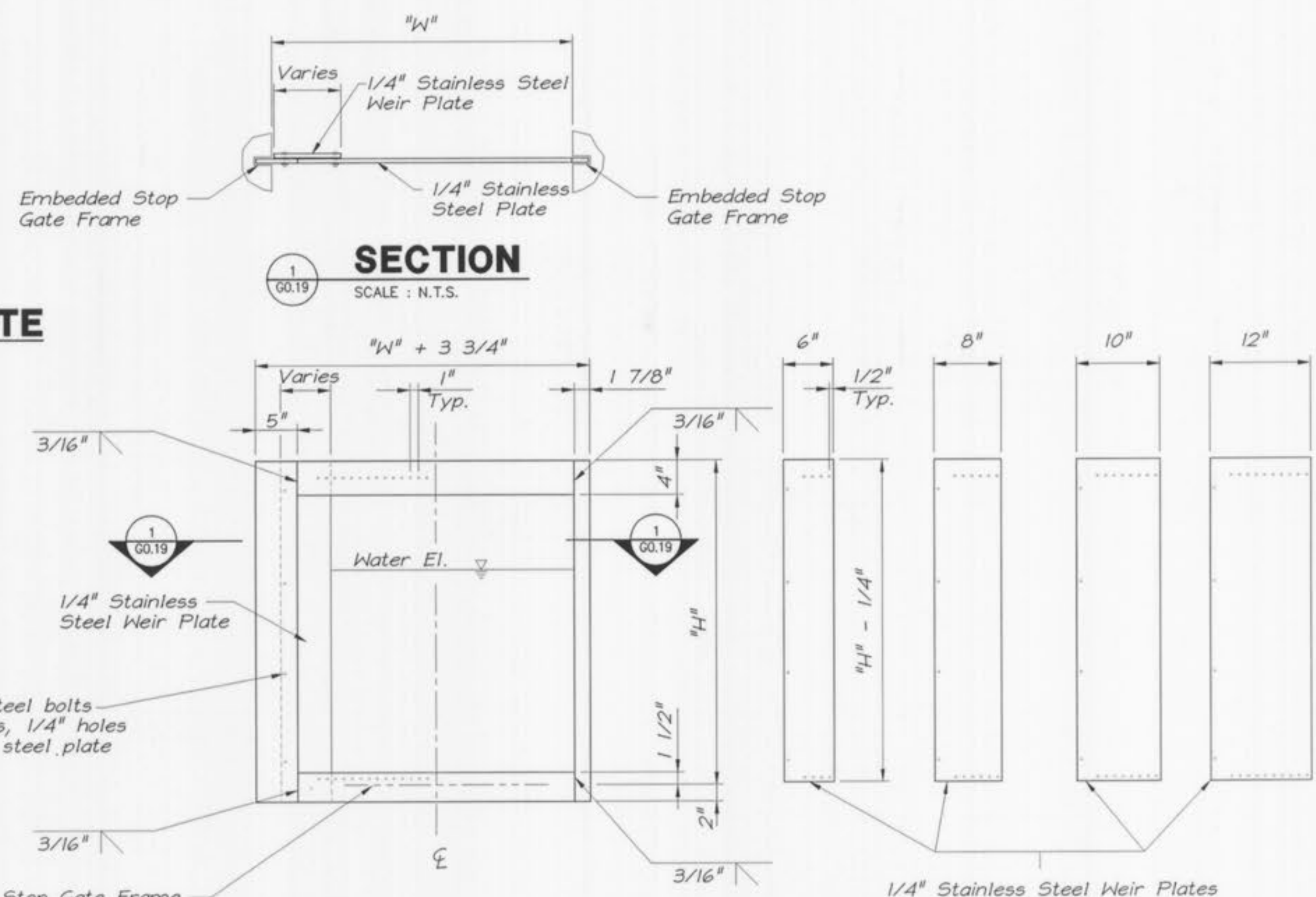
ACCESS DRIVE DETAIL

SCALE: N.T.S.



EXTERIOR CONCRETE STEPS DETAIL

SCALE: N.T.S.



VERTICAL WEIR GATE - FRONT

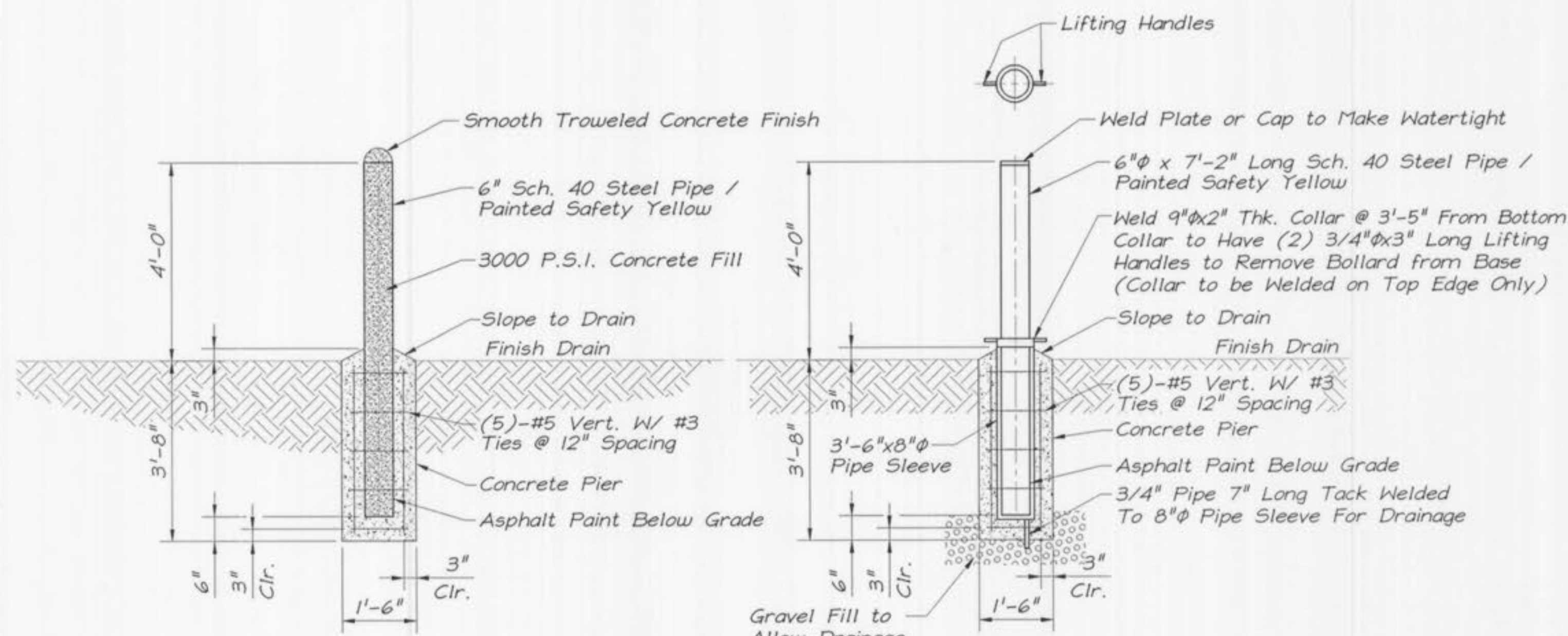
SCALE: N.T.S.

NOTE: Contractor to verify dimensions in the field prior to constructing each vertical weir gate.

STRUCTURE	QUANTITY	HEIGHT "H"	WIDTH "W"
Distribution Box No. 2	2	36"	33"
Distribution Box No. 3	4	39"	36"
Distribution Box No. 4	2	36"	33"

VERTICAL WEIR GATE - SCHEDULE

SCALE: N.T.S.

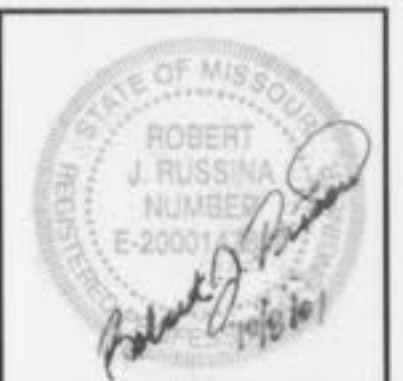


BOLLARD DETAILS

SCALE: 1/2" = 1'-0"

GEORGE BUTLER ASSOCIATES, INC.
Engineers • Architects
Kansas • Missouri • Illinois

GBA



WASTEWATER TREATMENT PLANT EXPANSION
MISCELLANEOUS DETAILS
No. 2
 CITY OF O'FALLON, MISSOURI

JOB NO.: 9234
DATE: 10-08-2001

DESIGNED BY: TMS
DRAWN BY: RGA
CHECKED BY: RJR/TMS
SHEET NUMBER

GO.19