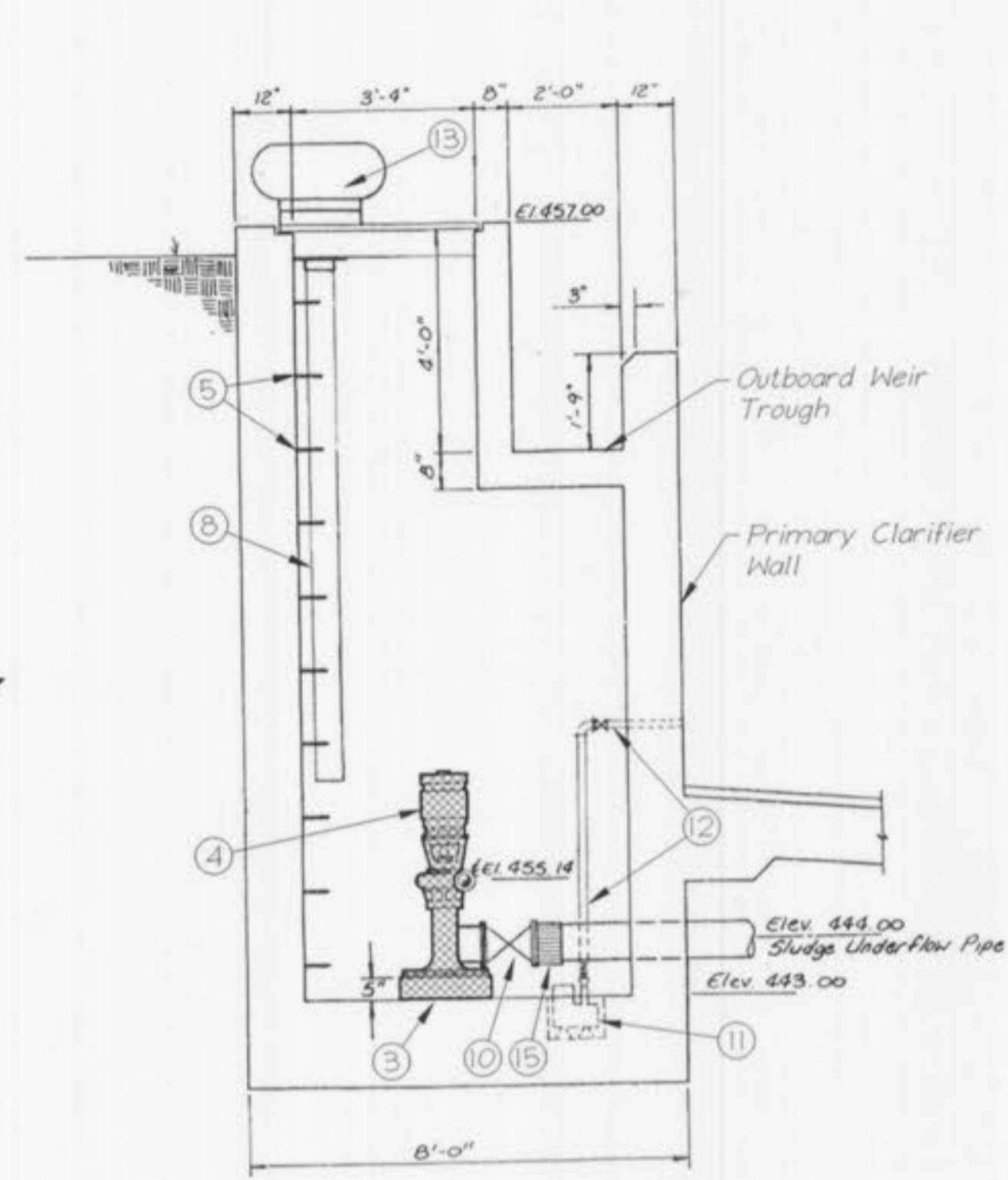
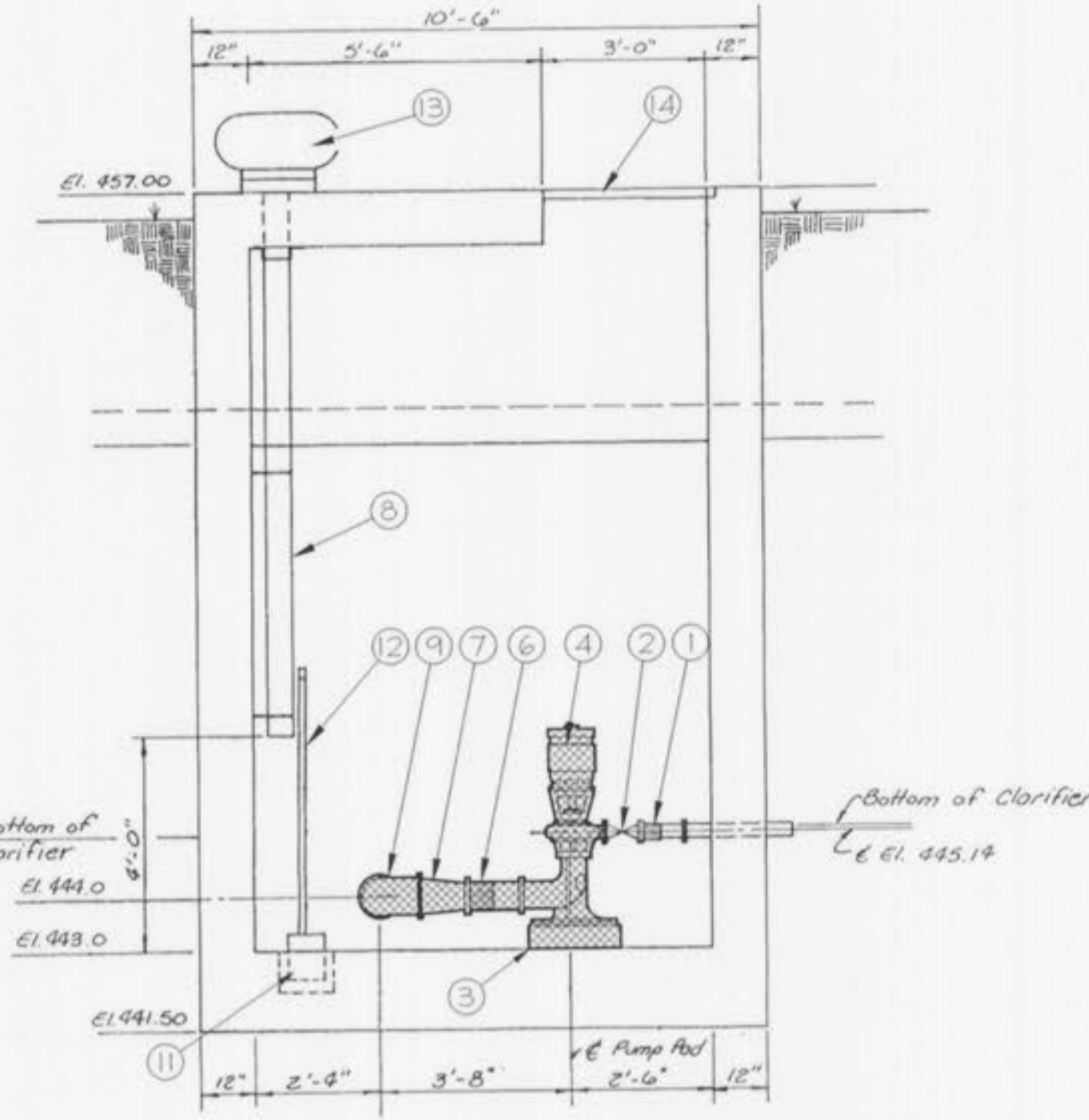


SLUDGE PUMP PIT DEMOLITION PLAN

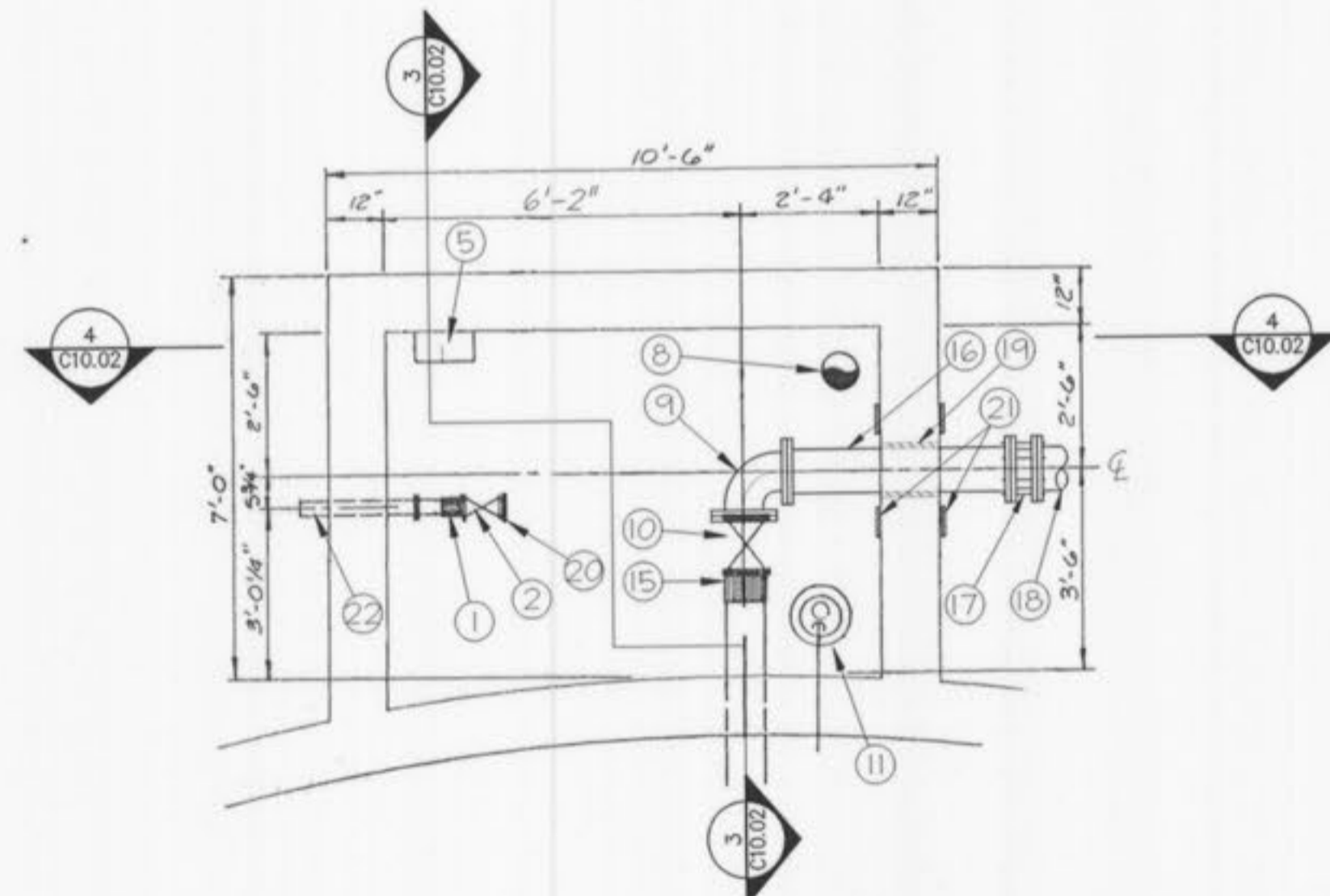
SCALE : 3/8" = 1'-0"



SECTION 1
SCALE : 3/8" = 1'-0"

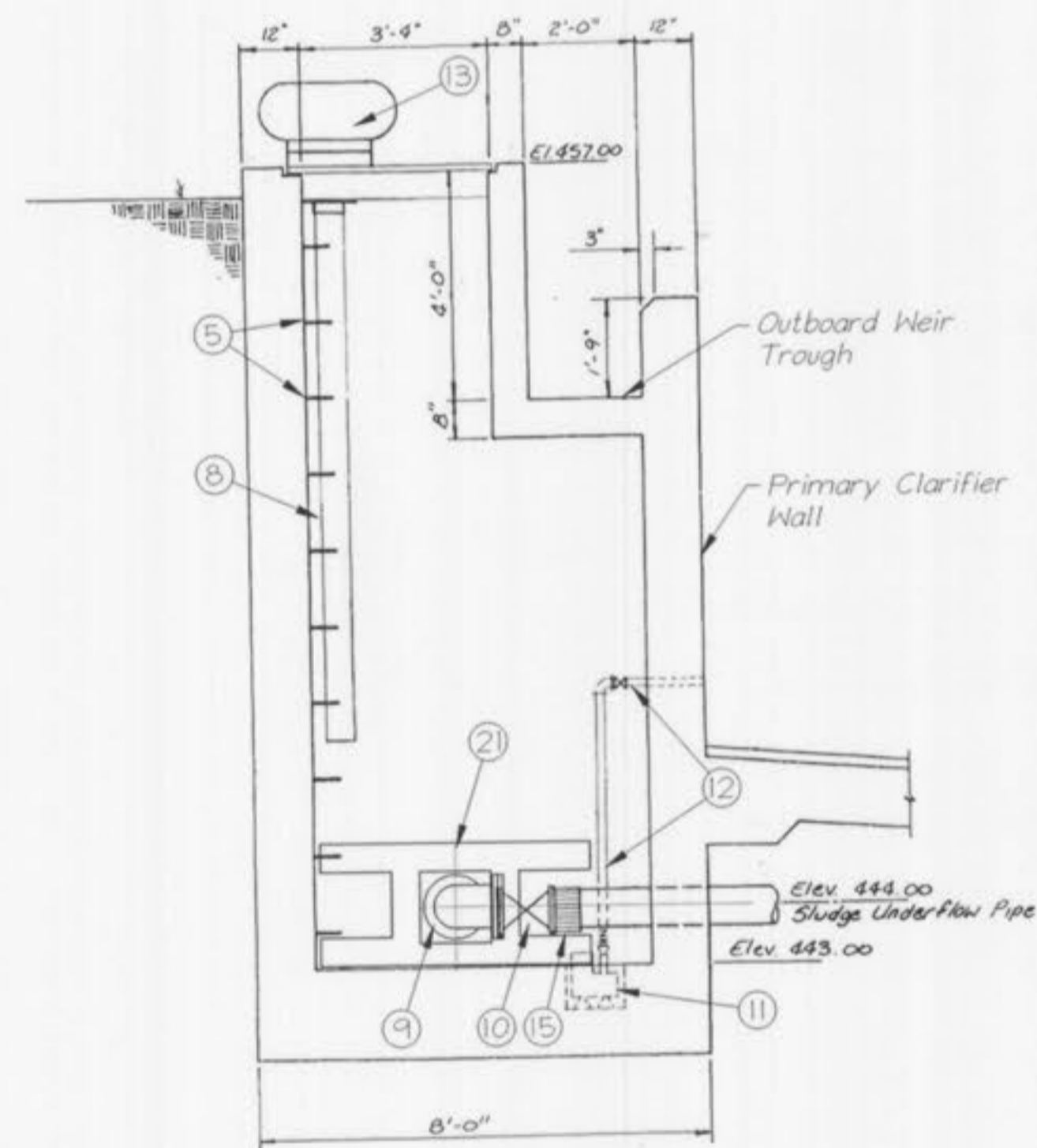


SECTION 2
SCALE : 3/8" = 1'-0"

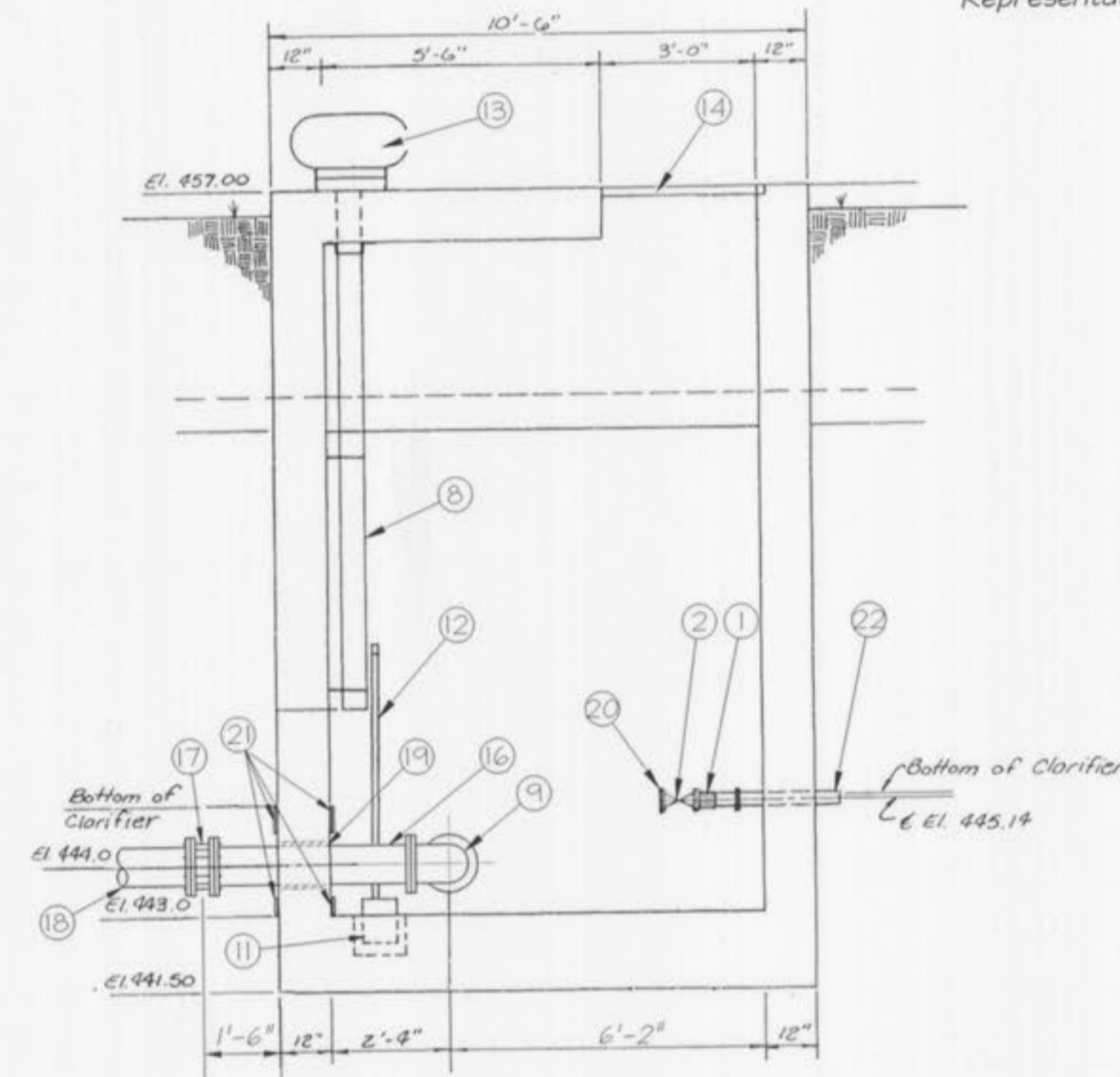


SLUDGE PUMP PIT MODIFIED PLAN

SCALE : 3/8" = 1'-0"



SECTION 3
SCALE : 3/8" = 1'-0"



SECTION 4
SCALE : 3/8" = 1'-0"

LEGEND

- ① 3" Flanged Coupling Adapter to Remain
- ② 3" Gate Valve to Remain
- ③ 21" x 21" Conc. Pump Pad to be Removed Completely
- ④ Underflow Sludge Pump to be Removed
- ⑤ Steps to Remain
- ⑥ 6" Flanged Coupling Adapter to be Removed
- ⑦ 8" x 6" Flanged Reducer to be Removed
- ⑧ 8" PVC Air Duct to Remain
- ⑨ 8" x 90° Bend to be Removed and Re-Used
- ⑩ 8" Flanged Gate Valve to Remain
- ⑪ Sump Pump to Remain in Service
- ⑫ 2" Valving and Piping to Remain
- ⑬ Roof Exhauster to Remain
- ⑭ 3'-0" x 3'-0" Bilco Hatch to Remain
- ⑮ 8" Flanged Coupling Adapter to Remain
- ⑯ 8" DIP Fig. X PE Connection Piece (new)
- ⑰ SMITH-BLAIR 8" Model 411 Steel Coupling (new)
- ⑱ 8" DIP Connection Piece to New Sludge Pumping Station
- ⑲ Core Drill Existing Wall, Epoxy Coat Exposed Reinforcing and Install New Link Seal
- ⑳ 3" Blind Flange (new)
- ㉑ Typical Existing Concrete Wall Opening Reinforcing (New) (See Sheet G0.19 for Details)
- ㉒ Existing 3" Sludge Line to be Abandoned in Place (See Sheet G0.12 for Plan)

Note:

Pump, Fittings and any Appurtenances Shall Be Salvaged and Delivered to a Location Determined By the Owner's Representative.

K:\Client\O'Fallon\9234\Primary\92348500.dwg Layout: C10.02 --- Wednesday October 03, 2001, 3:38pm --- Copyright 2001, George Butler Associates, Inc.

WASTEWATER TREATMENT PLANT EXPANSION
PRIMARY CLARIFIER NO. 3
SLUDGE PIT MODIFICATIONS
 CITY OF FALLON, MISSOURI



GBA
 GEORGE BUTLER ASSOCIATES, INC.
 Engineers • Architects
 Kansas • Missouri • Illinois

JOB NO.: 9234
 DATE: 10-08-2001
 DESIGNED BY: TMS
 DRAWN BY: RGA
 CHECKED BY: RJR/TMS
 SHEET NUMBER

C10.02