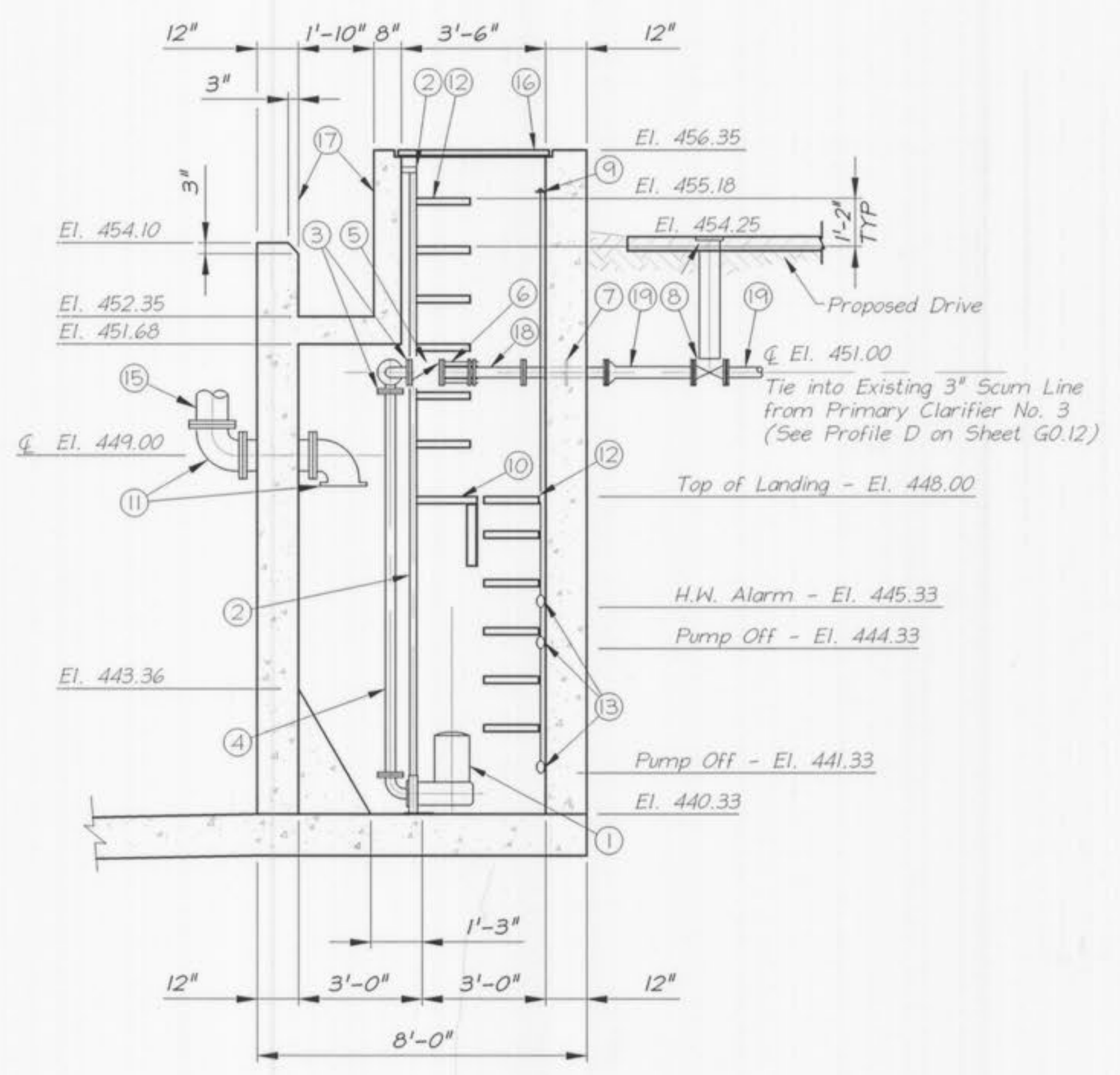


PLAN
SCALE: 3/8" = 1'-0"

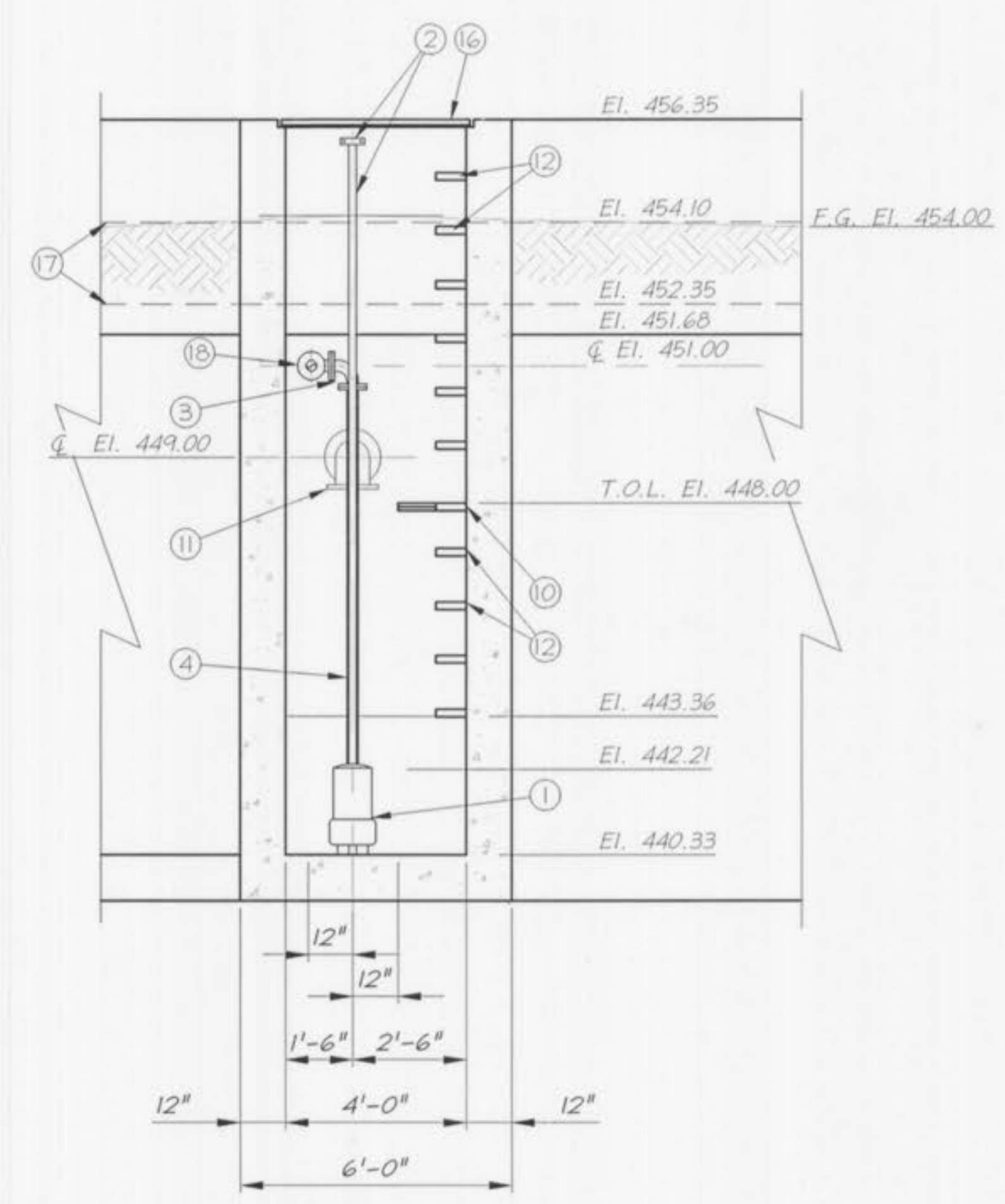
LEGEND

- ① ABS Model AFP0841 Series AFP 3" Scum Pump
- ② Guide Rail System
- ③ 3" x 90° DIP Flg. x Flg. Bend
- ④ 3" DIP Flg. x Flg. Connection Piece
- ⑤ 3" APCO, Series 100, Flg. Rubber Flapper Swing Check Valve
- ⑥ 3" Flanged Coupling Adapter
- ⑦ 3" DIP Flg. x Flg. x PE Wall Pipe
- ⑧ 3" MJ Gate Valve W/ Box
- ⑨ Adjustable Float Switch Assembly
- ⑩ Landing Platform Assembly (See Landing Detail on Sheet C31.03)
- ⑪ 8" x 90° DIP Bend
- ⑫ Manhole Steps
- ⑬ Adjustable Float Switches
- ⑭ Not Used
- ⑮ To Scum Beach Assembly
- ⑯ Access Hatch Assembly (3'-6" x 4'-0")
- ⑰ Outboard Weir Trough
- ⑱ 3" DIP Flg. x PE Connection Piece
- ⑲ 3" DIP MJ Connection Piece

Note:
Furnish intermediate supports on guide rails per manufacturer's recommendations.



1 SECTION
SCALE: 3/8" = 1'-0"



2 SECTION
SCALE: 3/8" = 1'-0"

K:\Client\O'Fallon\9234\Draw\Primary\92340702.dwg Layout: C11.03 -- Wednesday, October 03, 2001, 3:45pm -- Copyright 2001, George Butler Associates, Inc.

GBA
GEORGE BUTLER ASSOCIATES, INC.
Engineers • Architects
Kansas • Missouri • Illinois



WASTEWATER TREATMENT PLANT EXPANSION
PRIMARY CLARIFIER NO. 4
SCUM PIT PLAN AND SECTIONS
CITY OF OFALLON, MISSOURI

JOB NO.: 9234
DATE: 10-08-2001

DESIGNED BY: TMS
DRAWN BY: RGA/DMH
CHECKED BY: RJR/TMS

SHEET NUMBER
C11.03