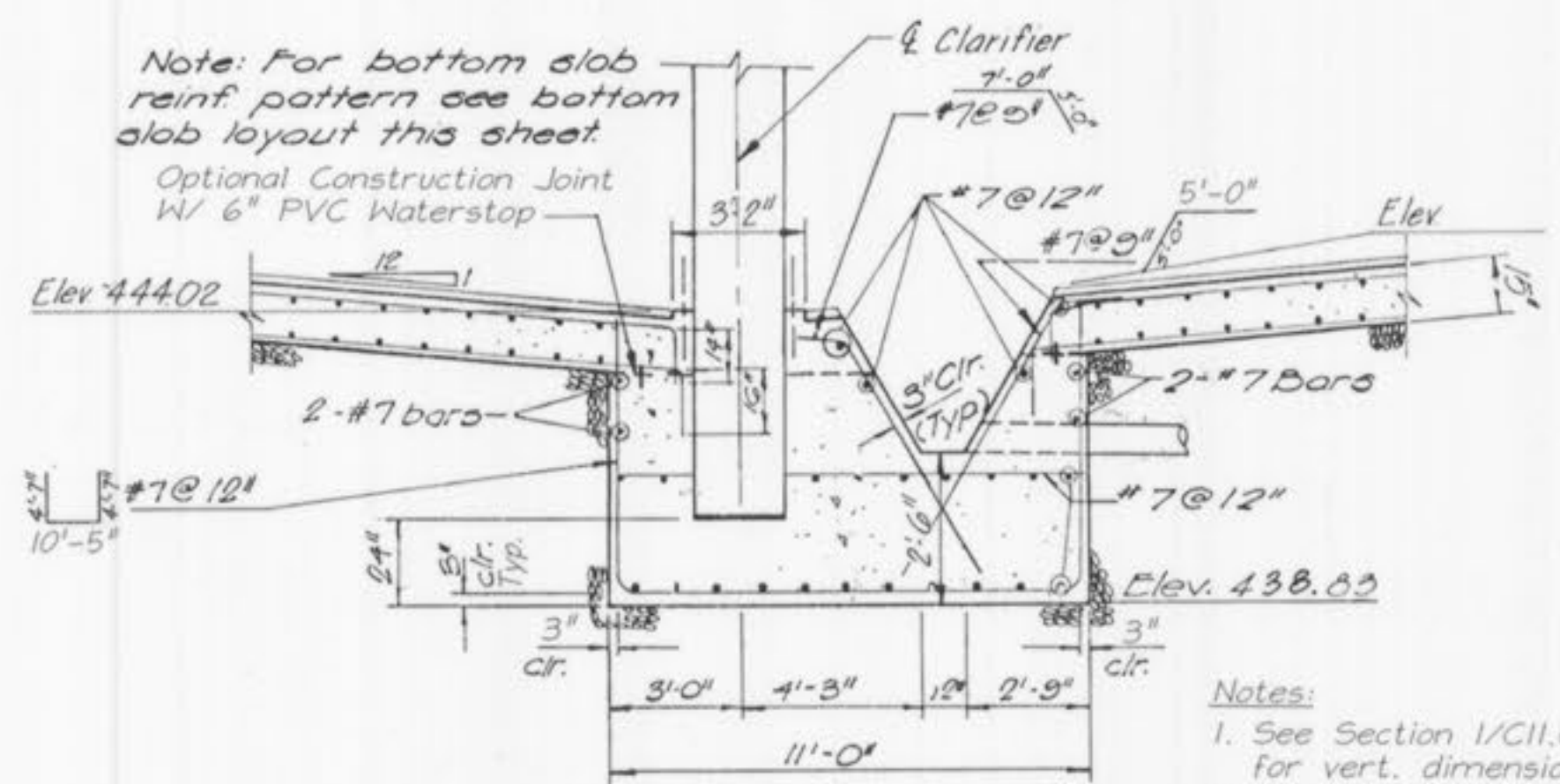


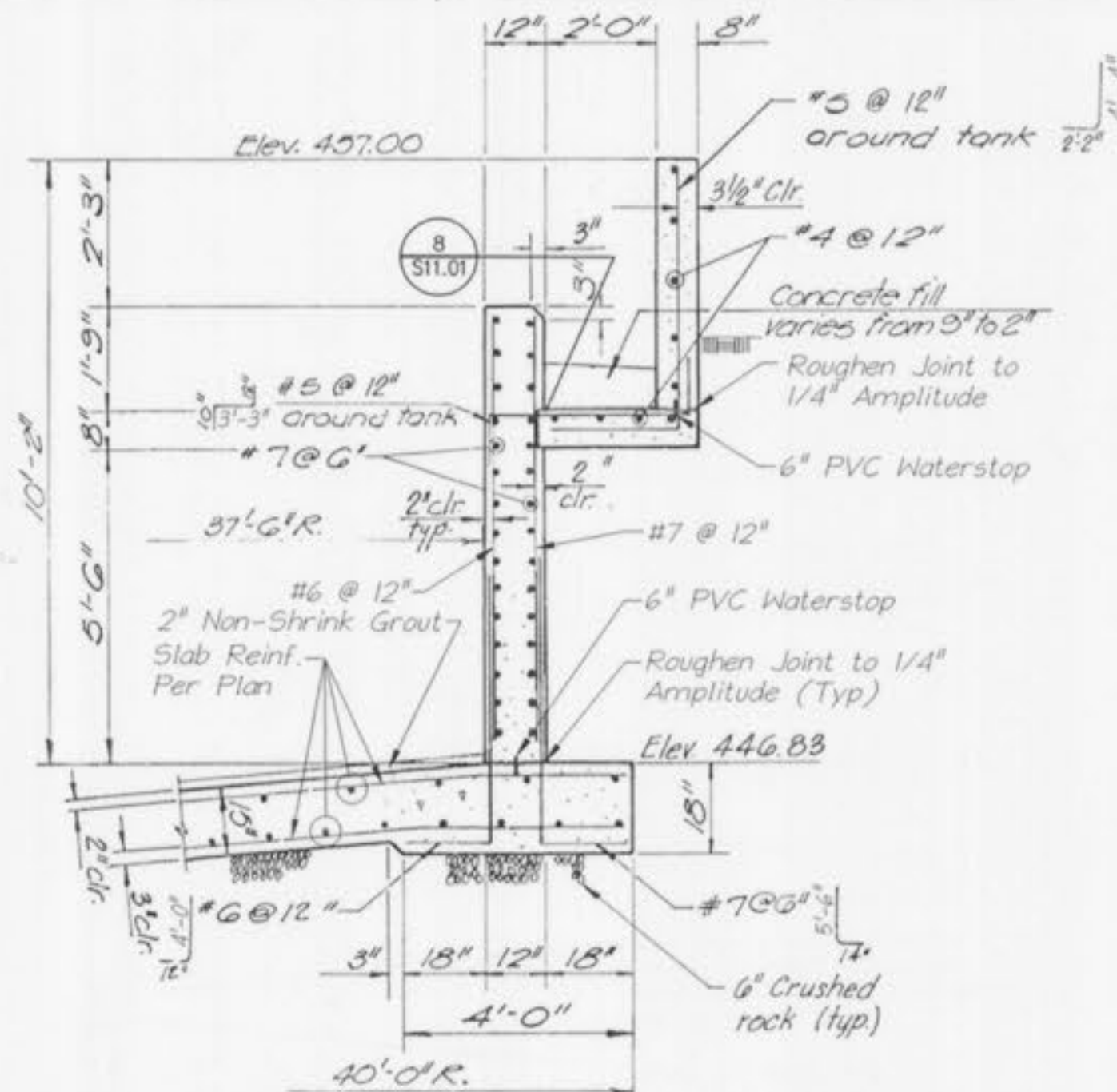
PRIMARY CLARIFIER No. 4 - BOTTOM SLAB LAYOUT

SCALE : 3/32" = 1'-0"



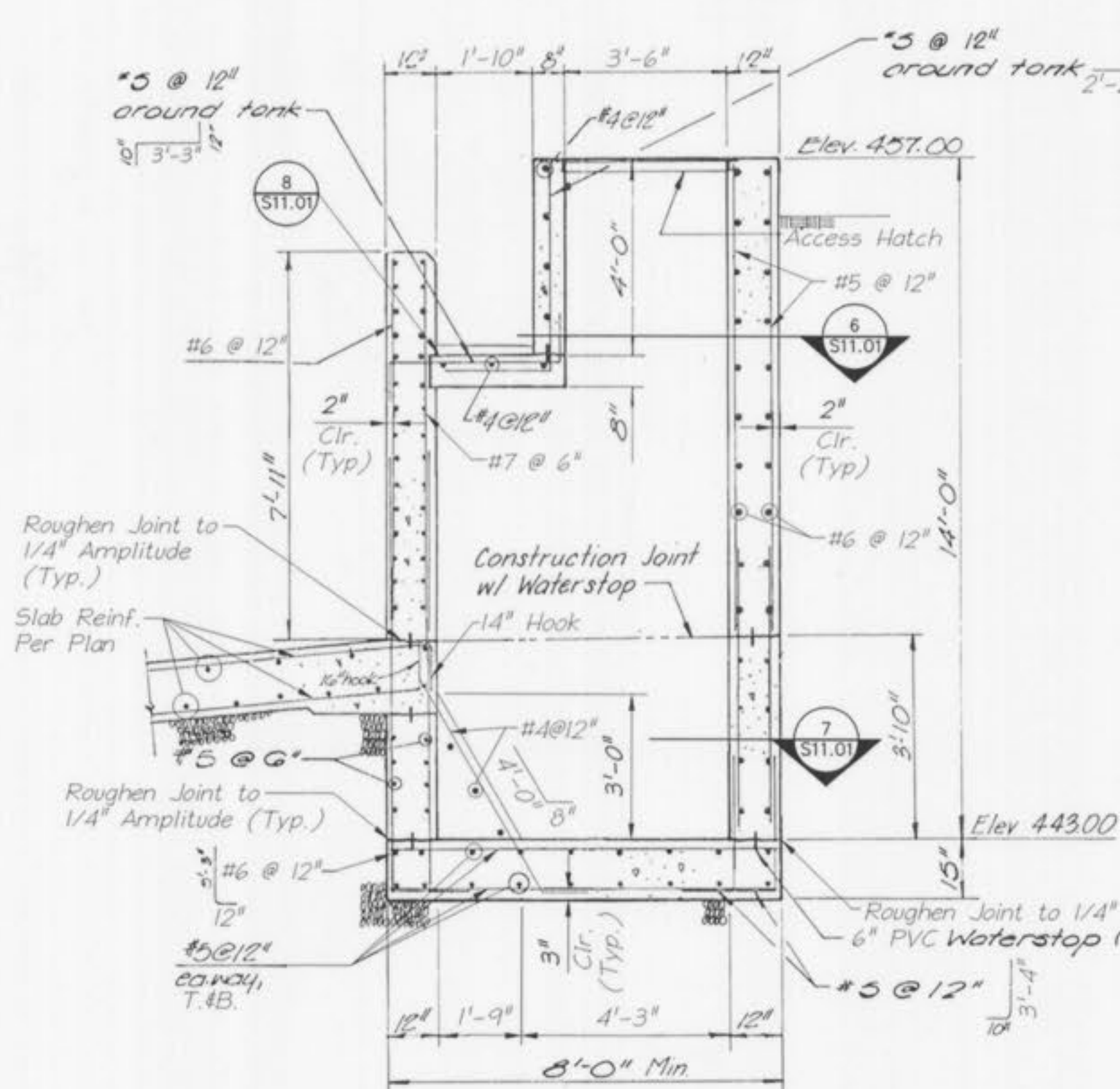
SECTION 3

SCALE : 1/4" = 1'-0"



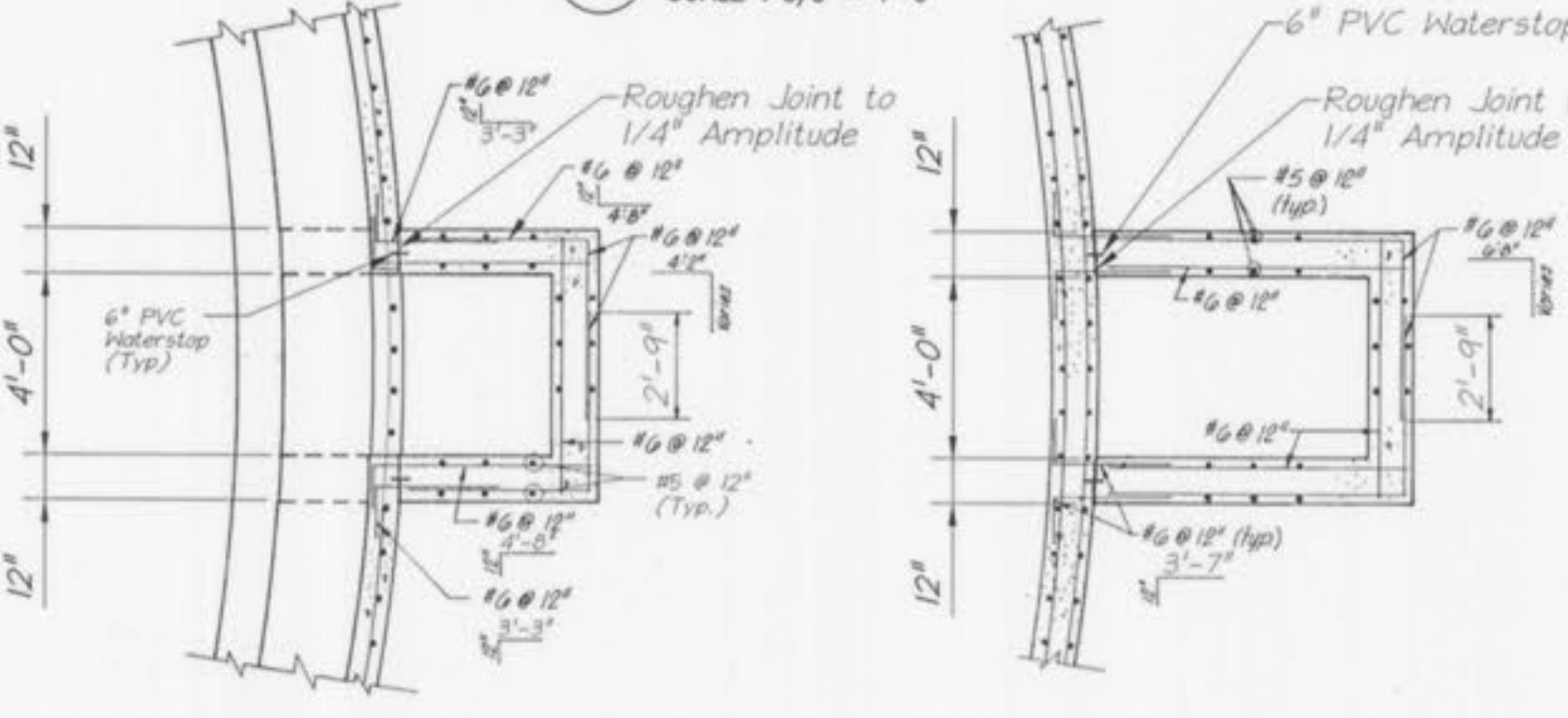
TYPICAL WALL SECTION

SCALE : 3/8" = 1'-0"



SECTION 4

SCALE : 3/8" = 1'-0"

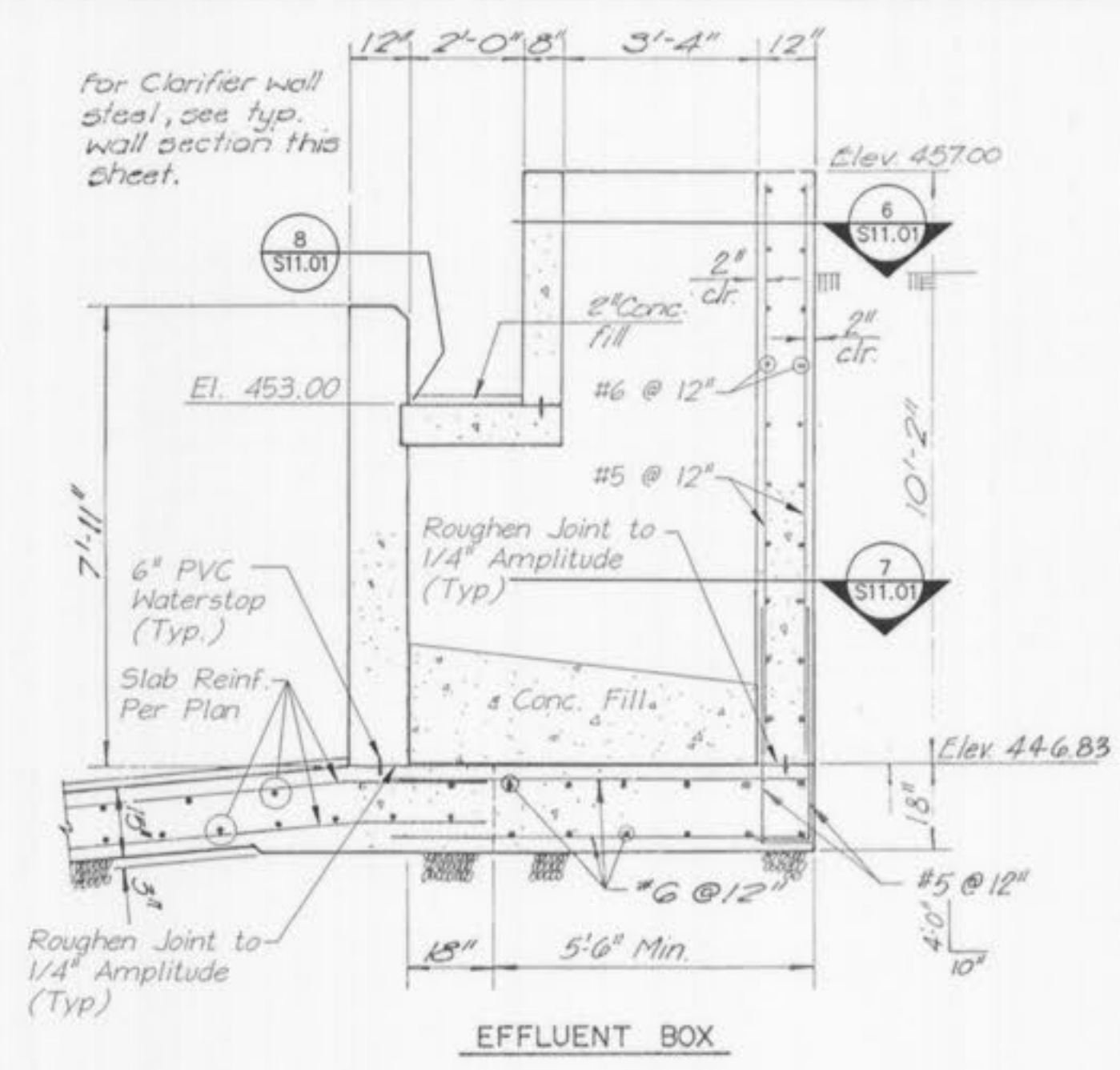


PLAN 6

SCALE : 1/4" = 1'-0"

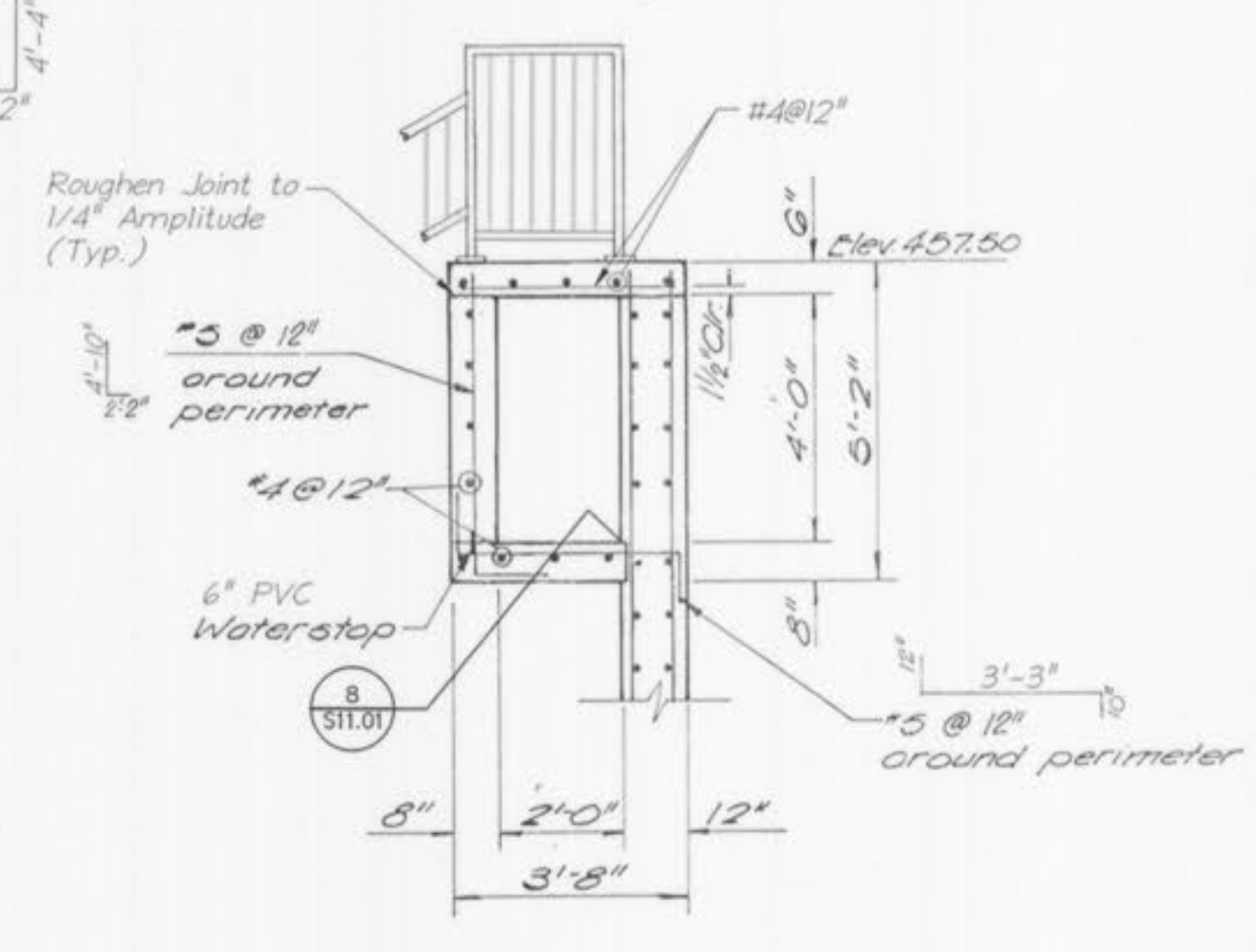
PLAN 7

SCALE : 1/4" = 1'-0"



SECTION 2

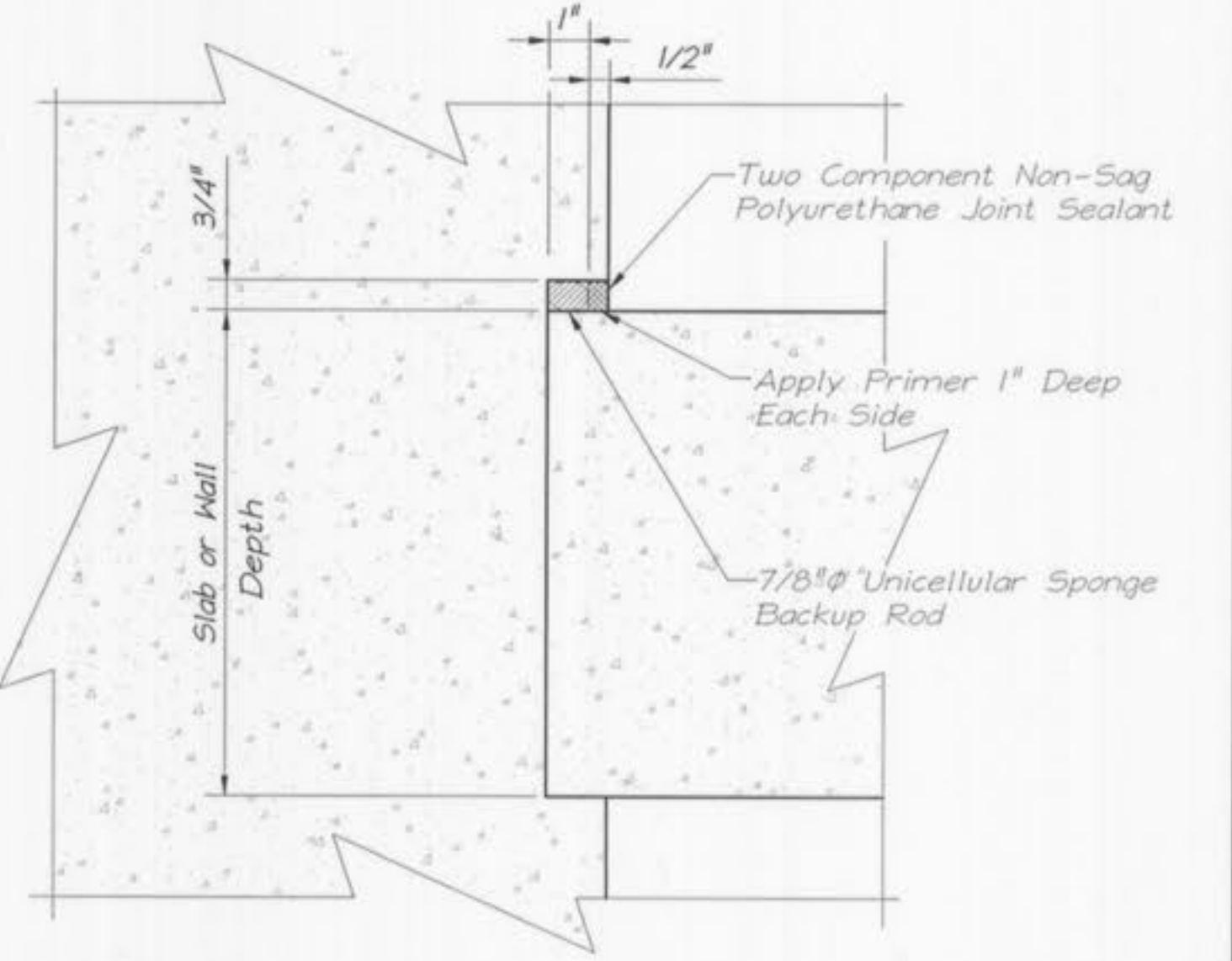
SCALE : 3/8" = 1'-0"



SECTION 5

SCALE : 3/8" = 1'-0"

Conc. steps not shown.



SECTION 8

SCALE : 3" = 1'-0"

GEORGE BUTLER ASSOCIATES, INC.
Engineers • Architects
Kansas • Missouri • Illinois



WASTEWATER TREATMENT PLANT EXPANSION
PRIMARY CLARIFIER NO. 4
STRUCTURAL PLANS AND SECTIONS
CITY OF O'FALLON, MISSOURI

JOB NO.: 9234
DATE: 10-08-2001

DESIGNED BY: TMS
DRAWN BY: RGA/DMH
CHECKED BY: KSB

SHEET NUMBER
S11.01