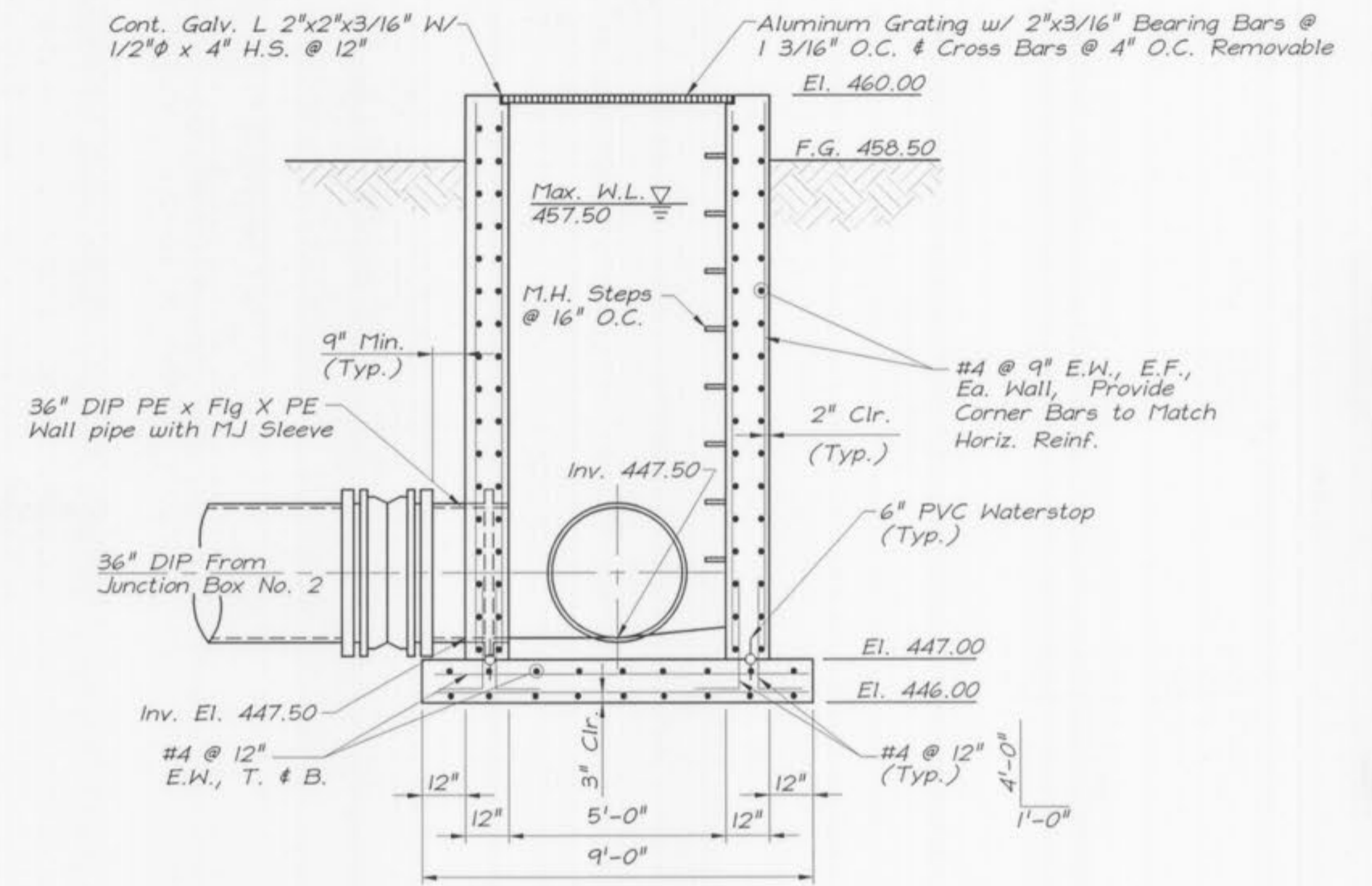


**PLAN - JUNCTION BOX NO. 5**

SCALE 3/8" = 1'-0"



**SECTION**

SCALE 3/8" = 1'-0"



**WASTEWATER TREATMENT PLANT EXPANSION**  
**AERATION - JUNCTION BOX NO. 5**  
**PLANS AND SECTIONS**  
 CITY OF FALLON, MISSOURI

JOB NO.: 9234
DATE: 10-08-2001
DESIGNED BY: RJR
DRAWN BY: RJR
CHECKED BY: RJR/TMS
SHEET NUMBER
<b>C18.01</b>

**GBA**  
 GEORGE BUTLER ASSOCIATES, INC.  
 Engineers • Architects  
 Kansas • Missouri • Illinois