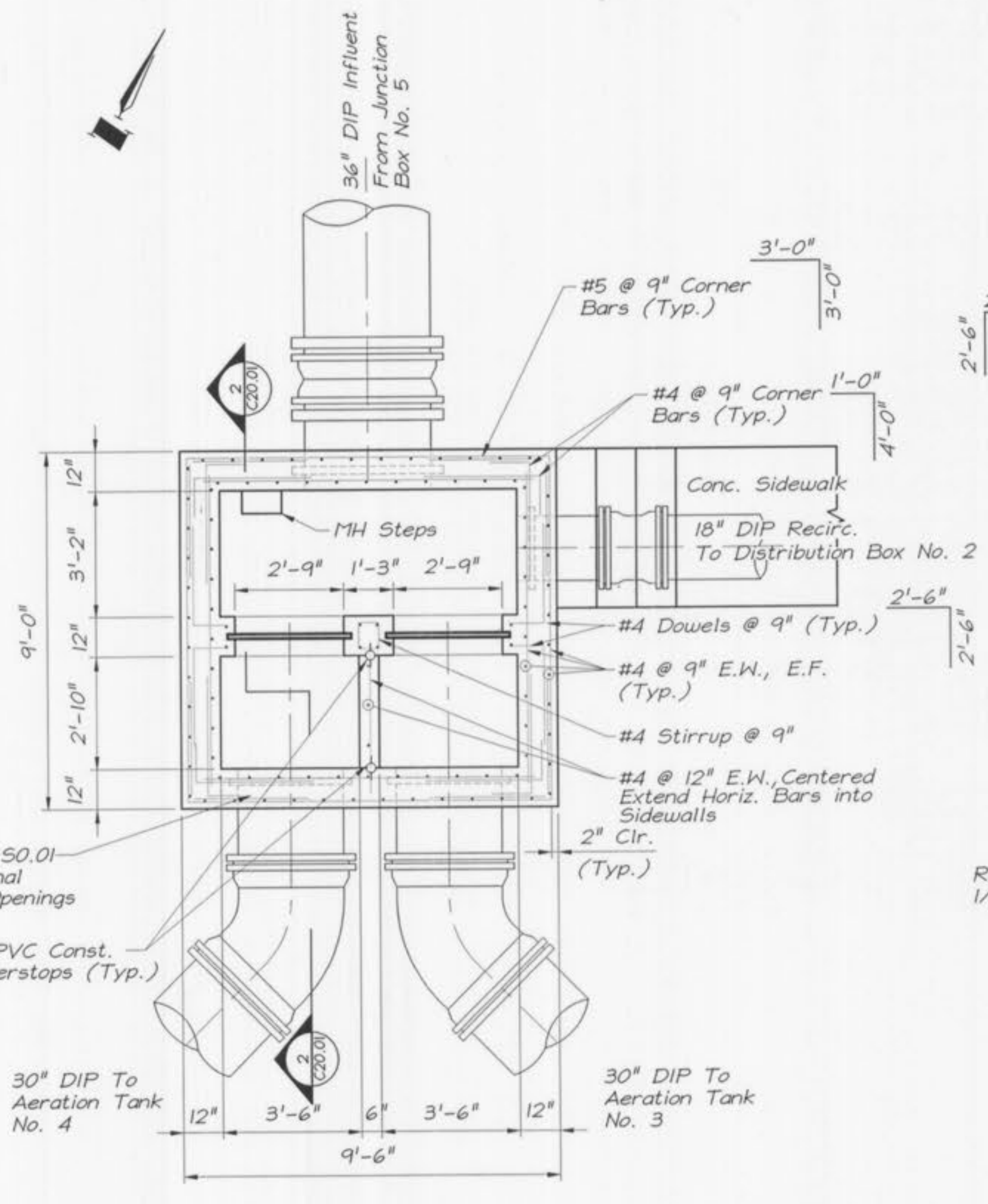
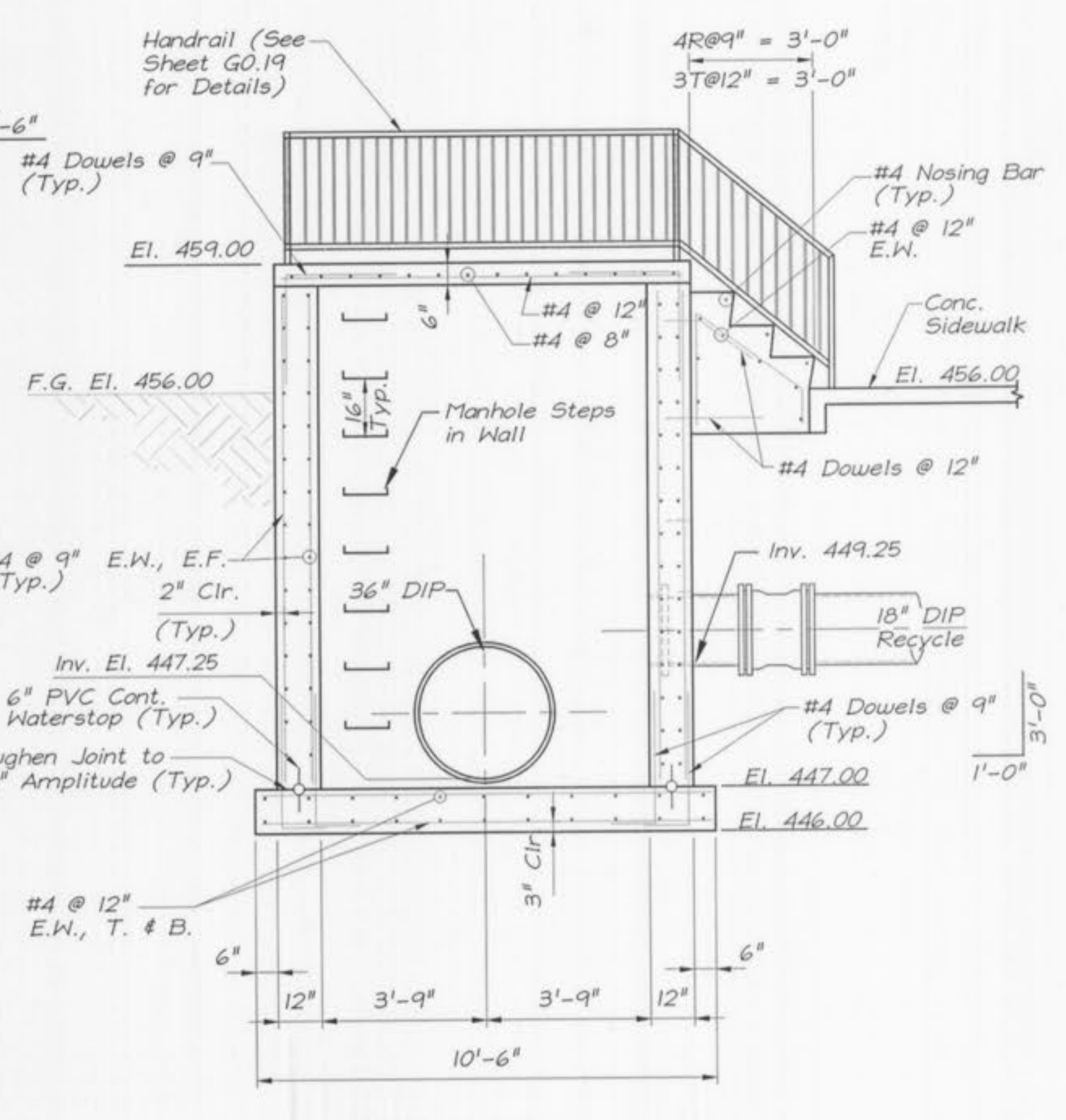


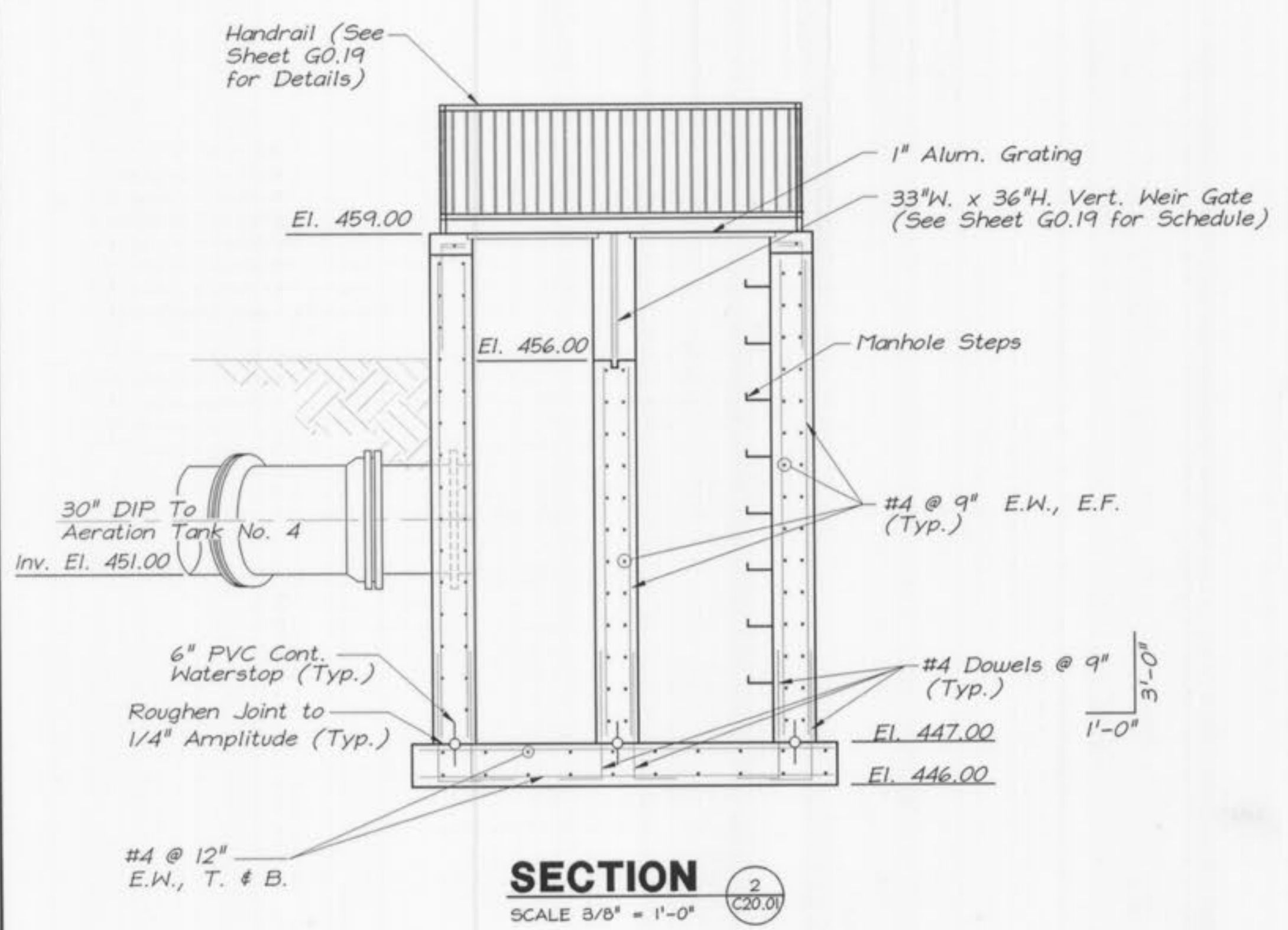
TOP PLAN - DISTRIBUTION BOX NO. 4
 SCALE 3/8" = 1'-0"



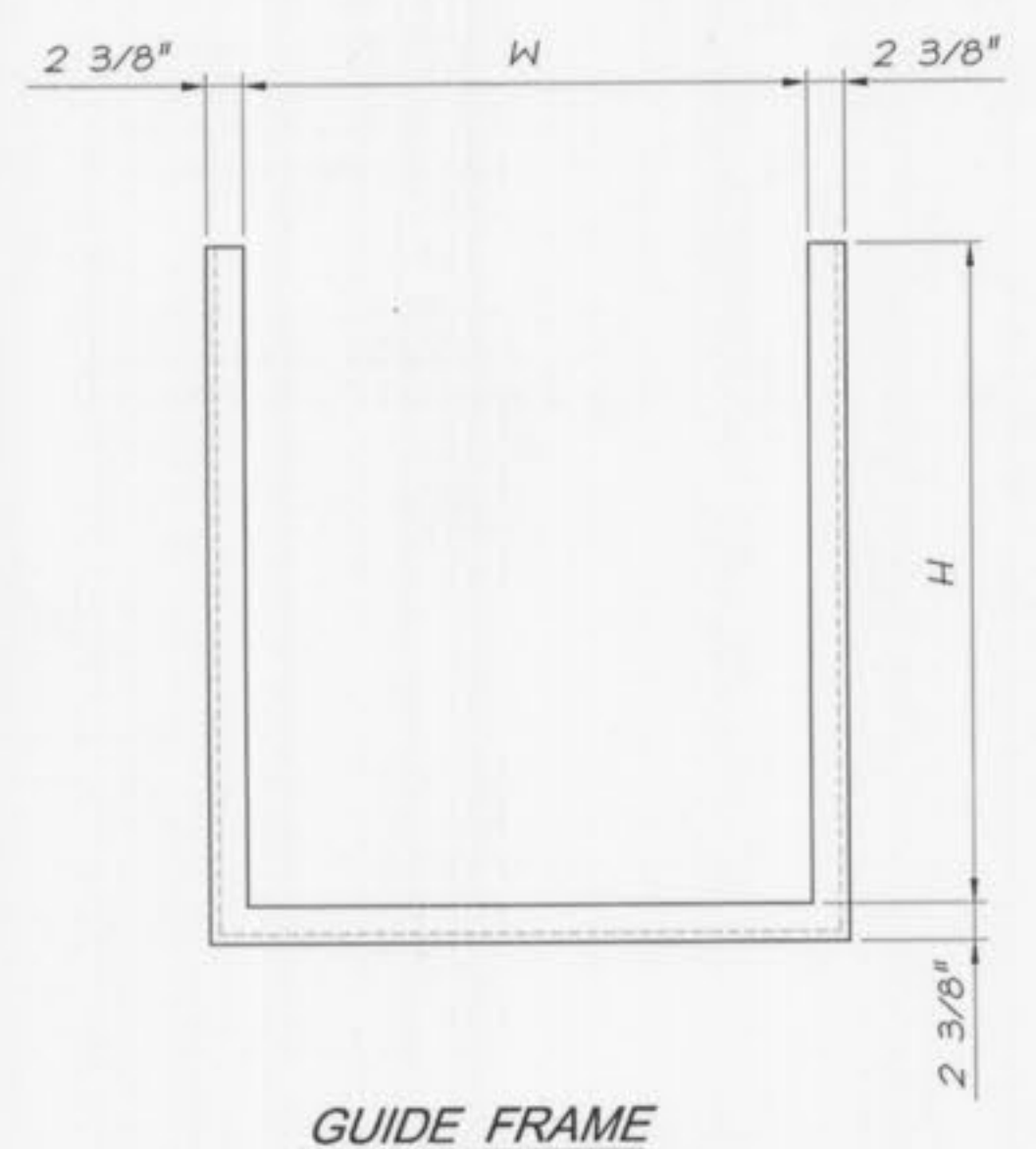
PLAN - DISTRIBUTION BOX NO. 4
 SCALE 3/8" = 1'-0"



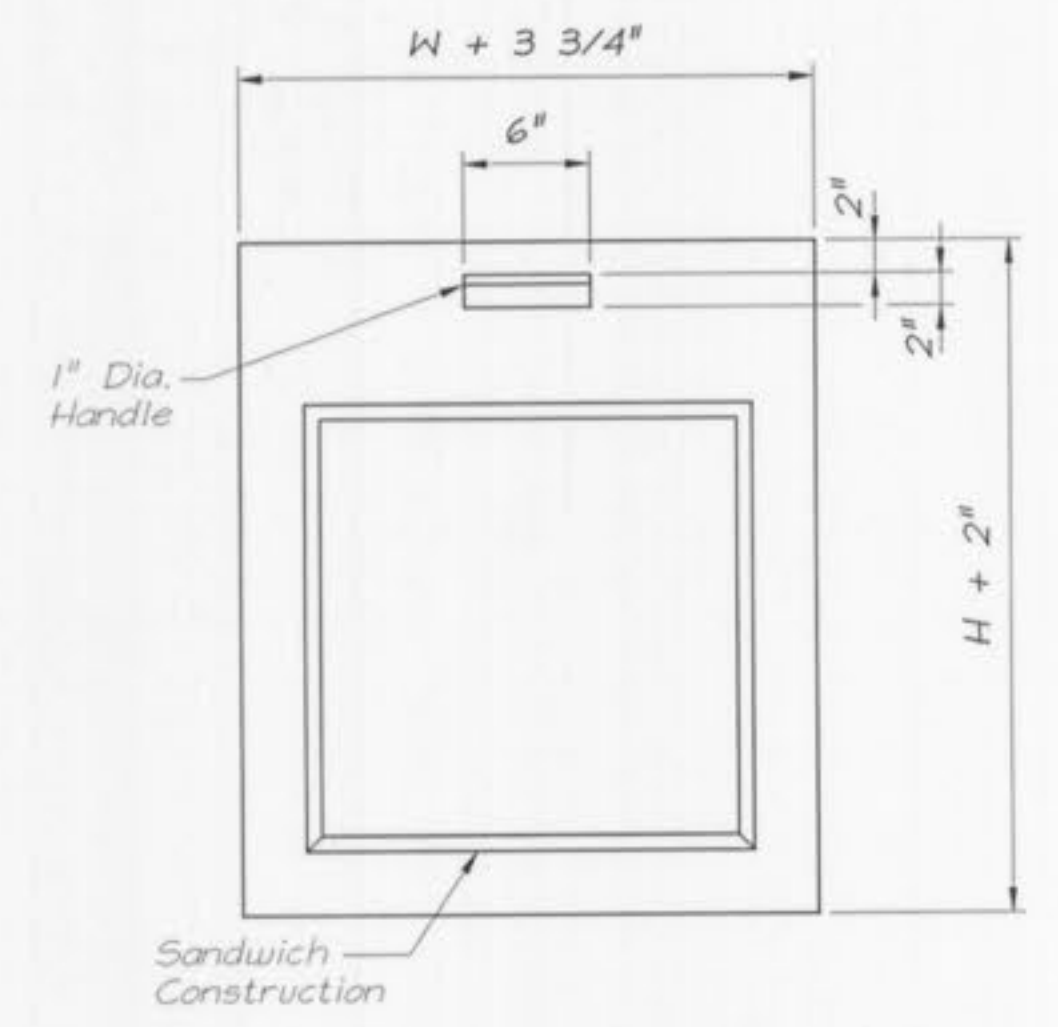
SECTION
 SCALE 3/8" = 1'-0"



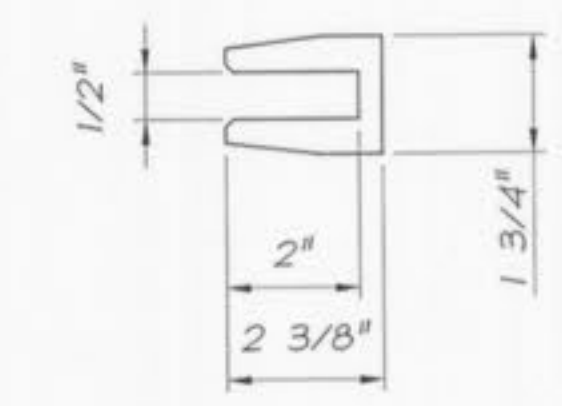
SECTION
 SCALE 3/8" = 1'-0"



GUIDE FRAME



STOP GATE



GUIDES

FIBERGLASS STOP GATE AND EMBEDDED GUIDE FRAME
 SCALE N.T.S.

Note:
 See Plan for H,
 and W. dimensions

K:\Client\OFFallon\9234.dwg\OFFallon\Download from OFFallon\9234\1806.dwg Layout: C20.01 -- Friday, October 05, 2001, 3:06pm -- Copyright 2001, George Butler Associates, Inc.