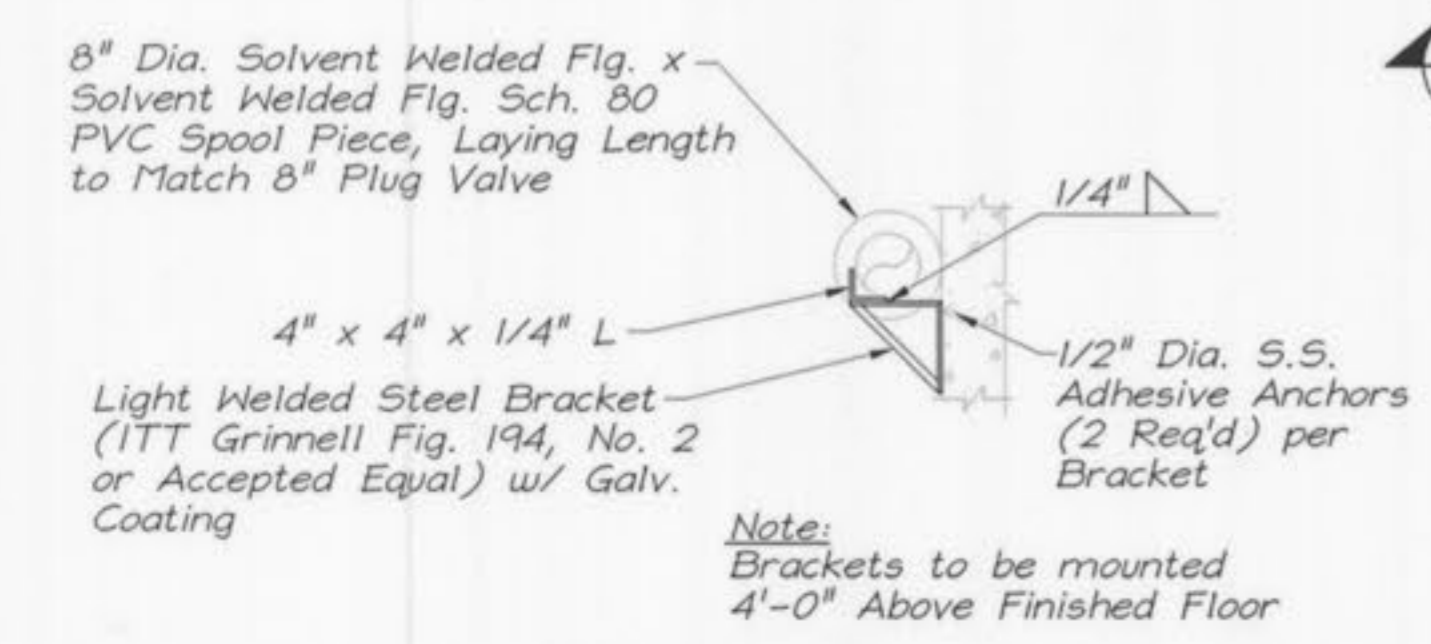
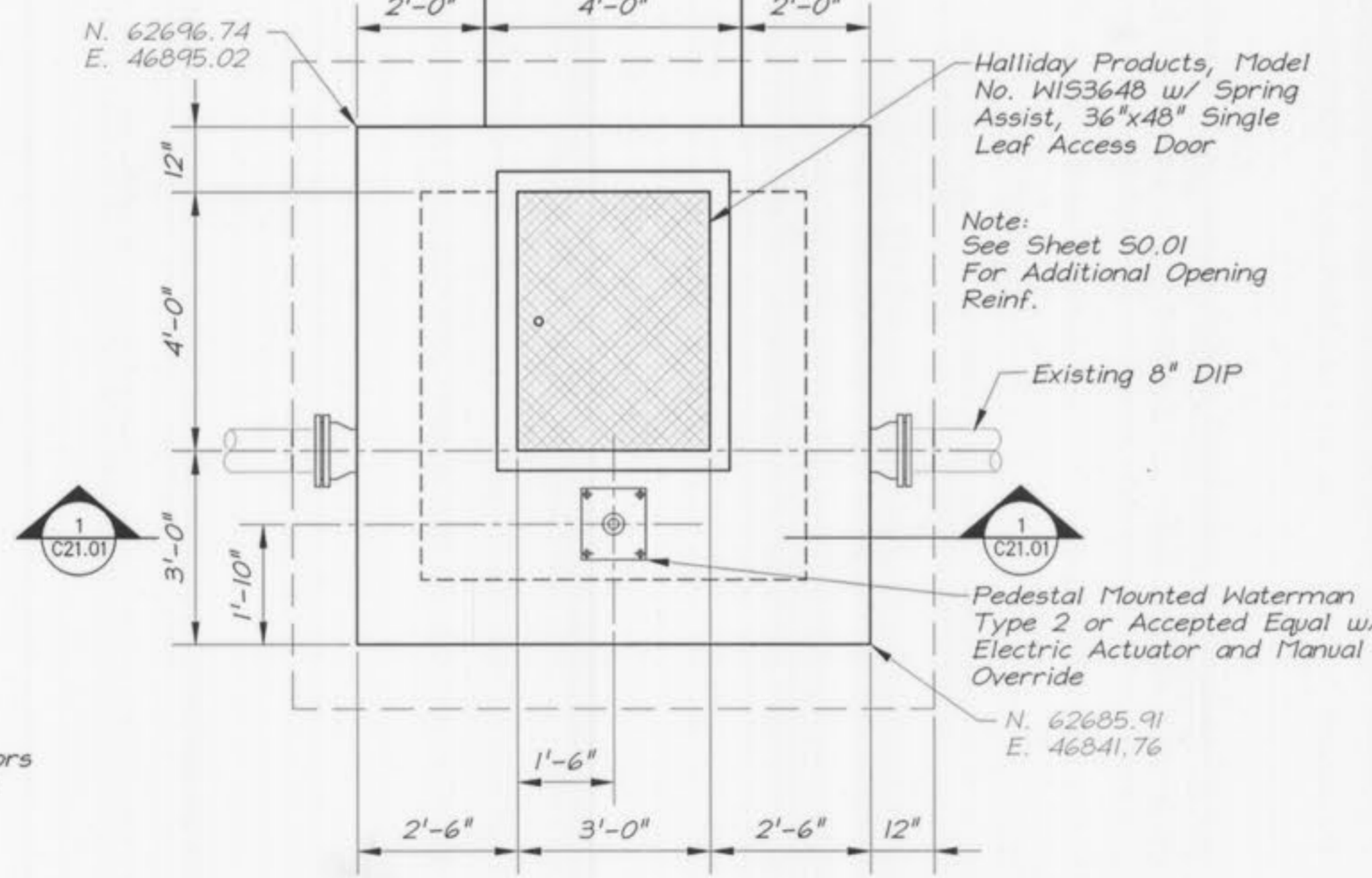


**WAS VALVE VAULT PLAN**  
SCALE: 1" = 10'

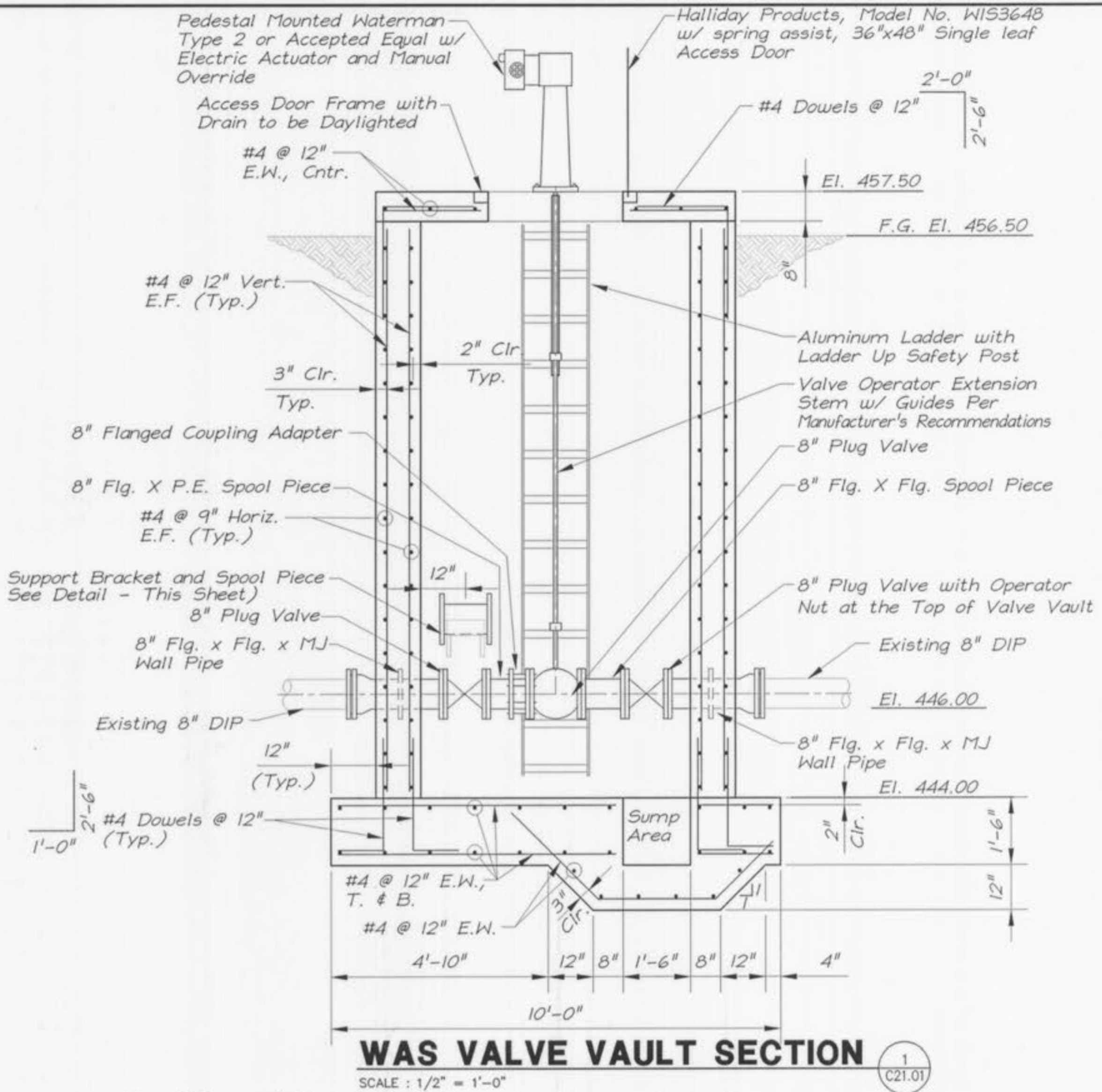
- NOTES:**
- The existence and location of any underground utility pipes, lines or structures shown on these drawings are obtained by a search of the available records. The Contractor is required to take due precautionary measures to protect the utility lines shown and all other lines not of record or not shown on these drawings by verification of their location in the field prior to the initiation of the actual portion of work. Contractor shall immediately repair any damaged utility caused by his activities at no additional cost to the Owner.
  - Contractor to provide 8" By Pass piping so that the WAS Piping will not be out of service a maximum of 6 hours. Details of this 8" By Pass piping shall be submitted from the contractor to the Engineer for approval. This approval MUST be received from the engineer prior to beginning construction of this Valve Vault.
  - Contractor to provide 8" Fig. X Fig. Sch. 80 PVC Spool piece the same laying length as the 8" Plug Valve w/ Electric Actuator and Manual override.



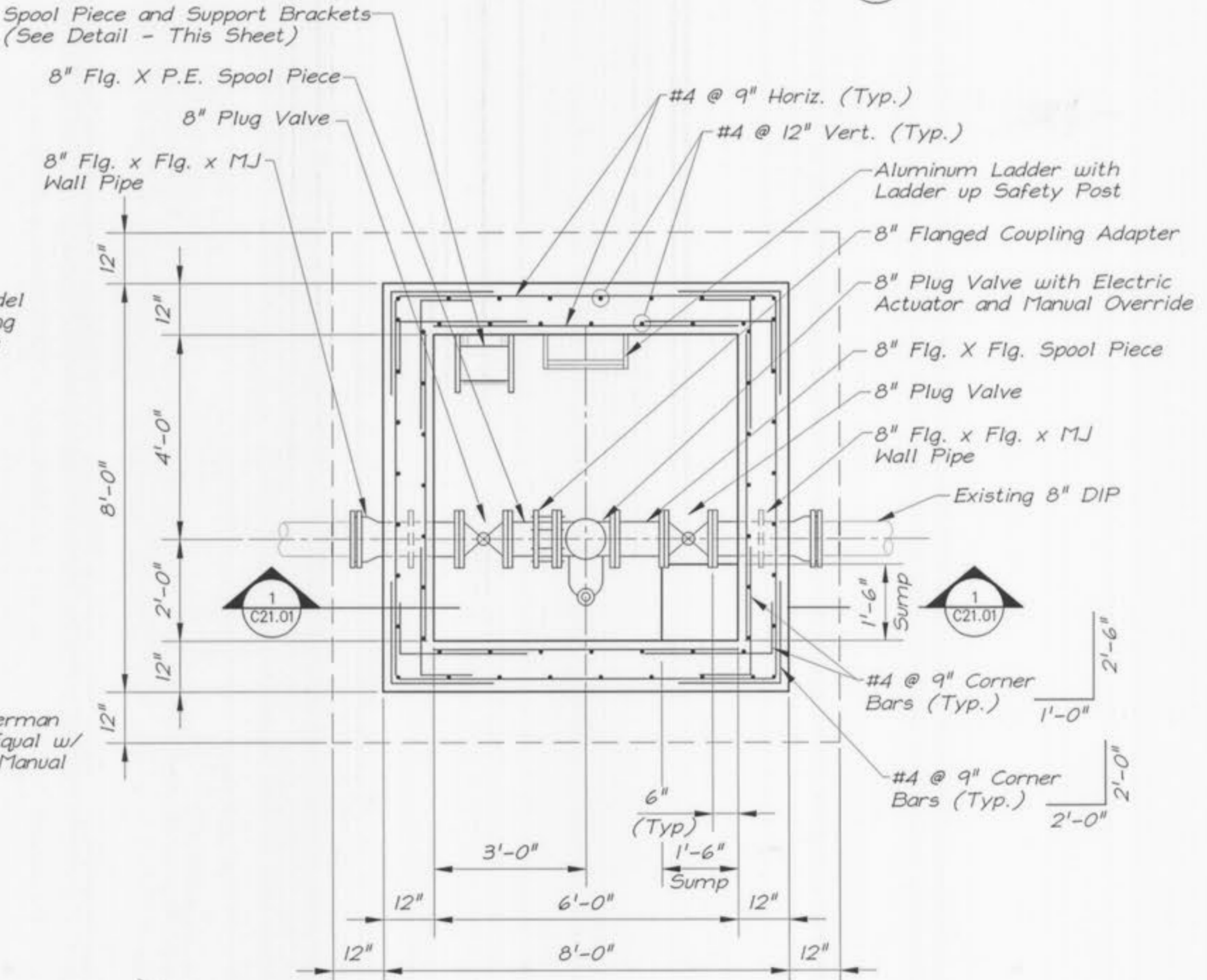
**SPOOL PIECE SUPPORT DETAIL**  
SCALE: N.T.S.



**WAS VALVE VAULT HATCH PLAN**  
SCALE: 1/2" = 1'-0"



**WAS VALVE VAULT SECTION**  
SCALE: 1/2" = 1'-0"



**WAS VALVE VAULT PLAN EL. 450.00**  
SCALE: 1/2" = 1'-0"

GEORGE BUTLER ASSOCIATES, INC.  
Engineers • Architects  
Kansas • Missouri • Illinois



WASTEWATER TREATMENT PLANT EXPANSION  
**WASTE ACTIVATED SLUDGE  
VALVE VAULT PLANS AND SECTIONS**  
CITY OF O'FALLON, MISSOURI

JOB NO.: 9234
DATE: 10-08-2001
DESIGNED BY: ESK
DRAWN BY: ESK
CHECKED BY: RJR/TMS
SHEET NUMBER

**C21.01**