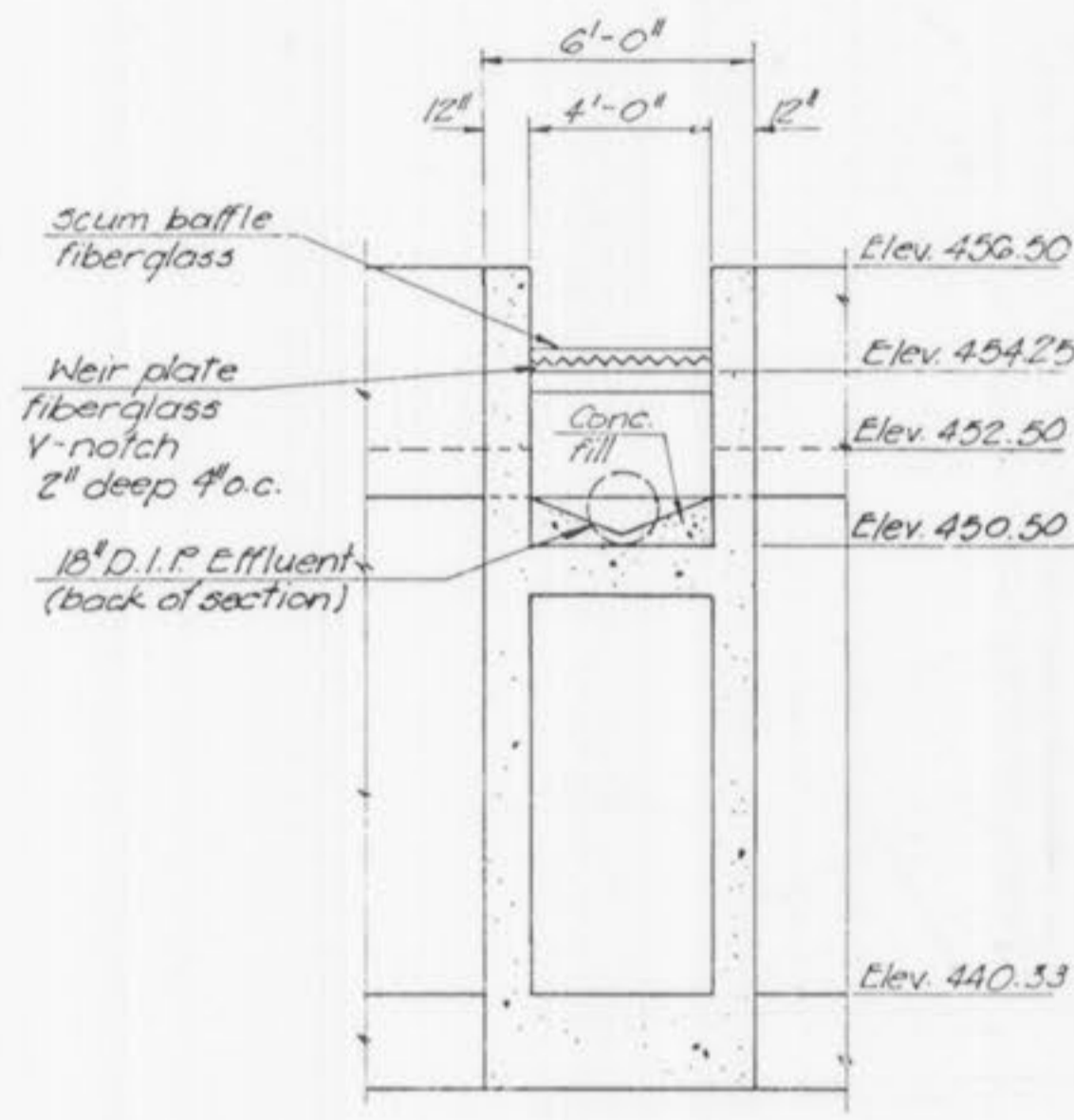
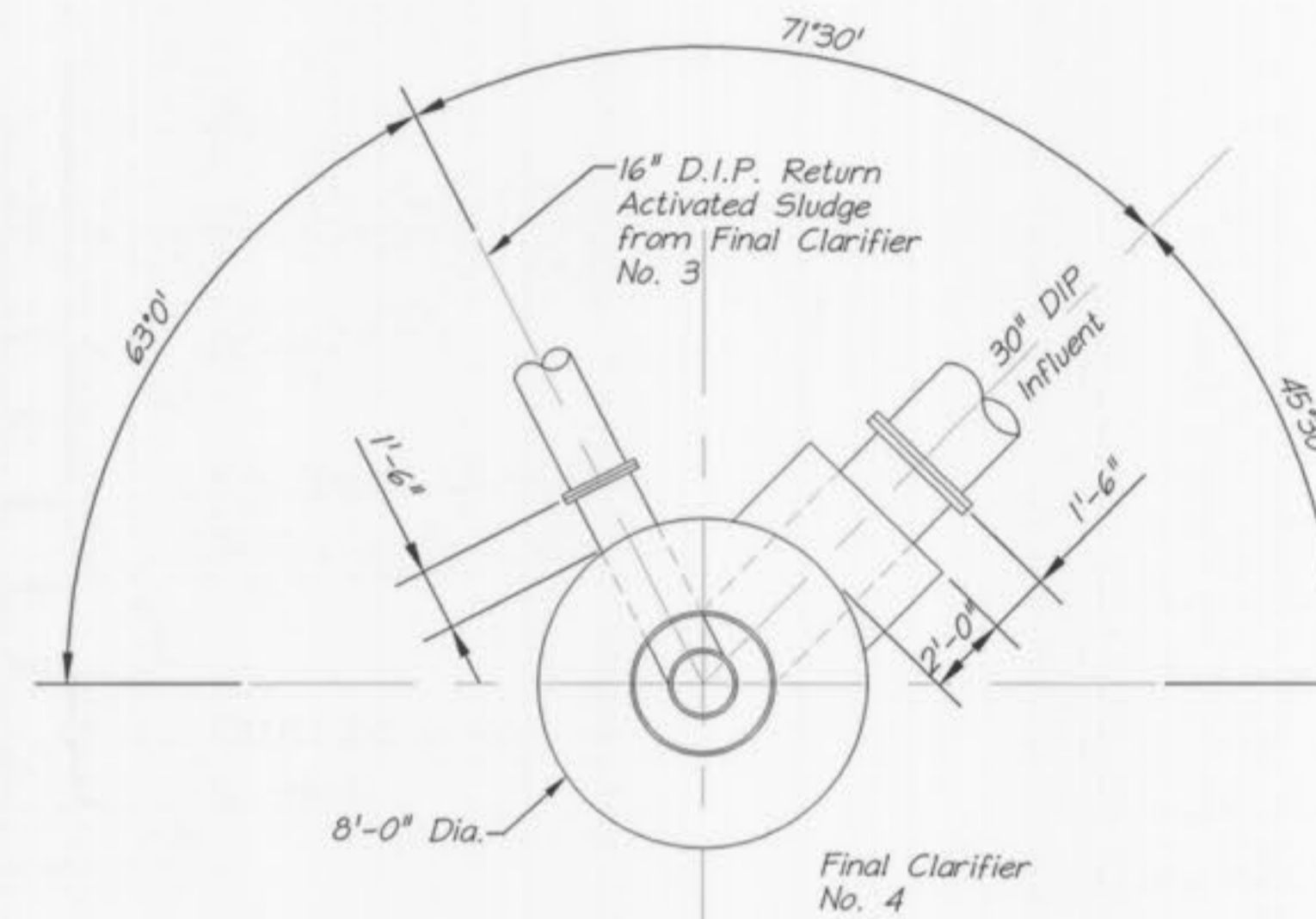


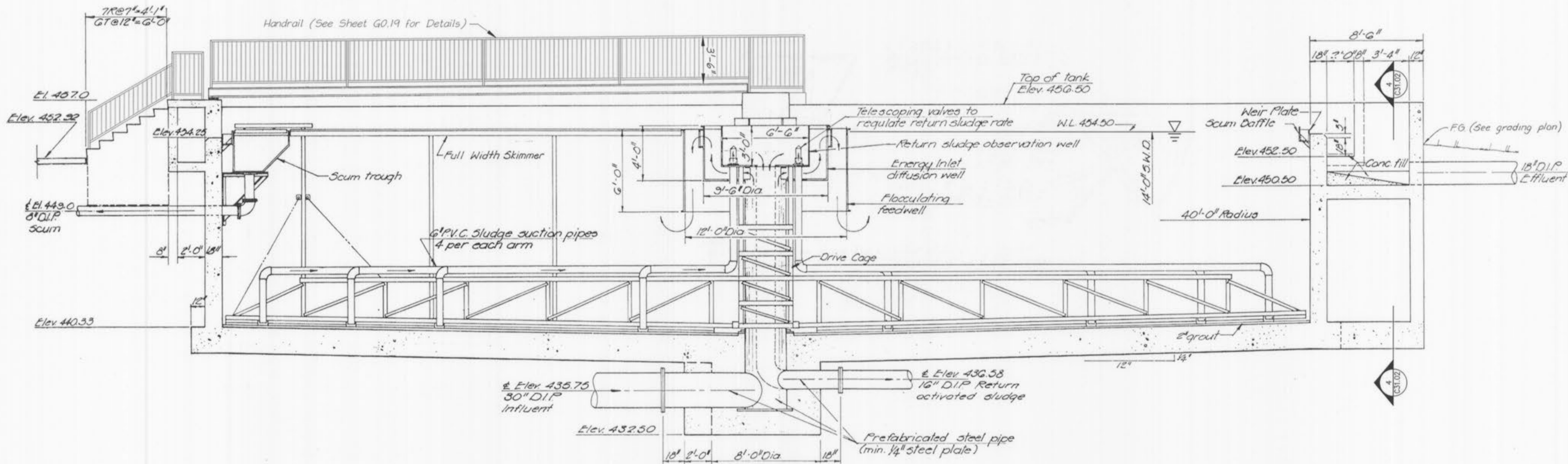
CENTER COLUMN SUPPORT
SCALE: 3/8" = 1'-0"



SECTION
SCALE: 1/4" = 1'-0"



FOUNDATION PLAN
SCALE: 1/4" = 1'-0"



TYPICAL FINAL CLARIFIER

SECTION
SCALE: 1/4" = 1'-0"

(Some items shown are cut of true position.
For orientation see sheet no. C31.01)

