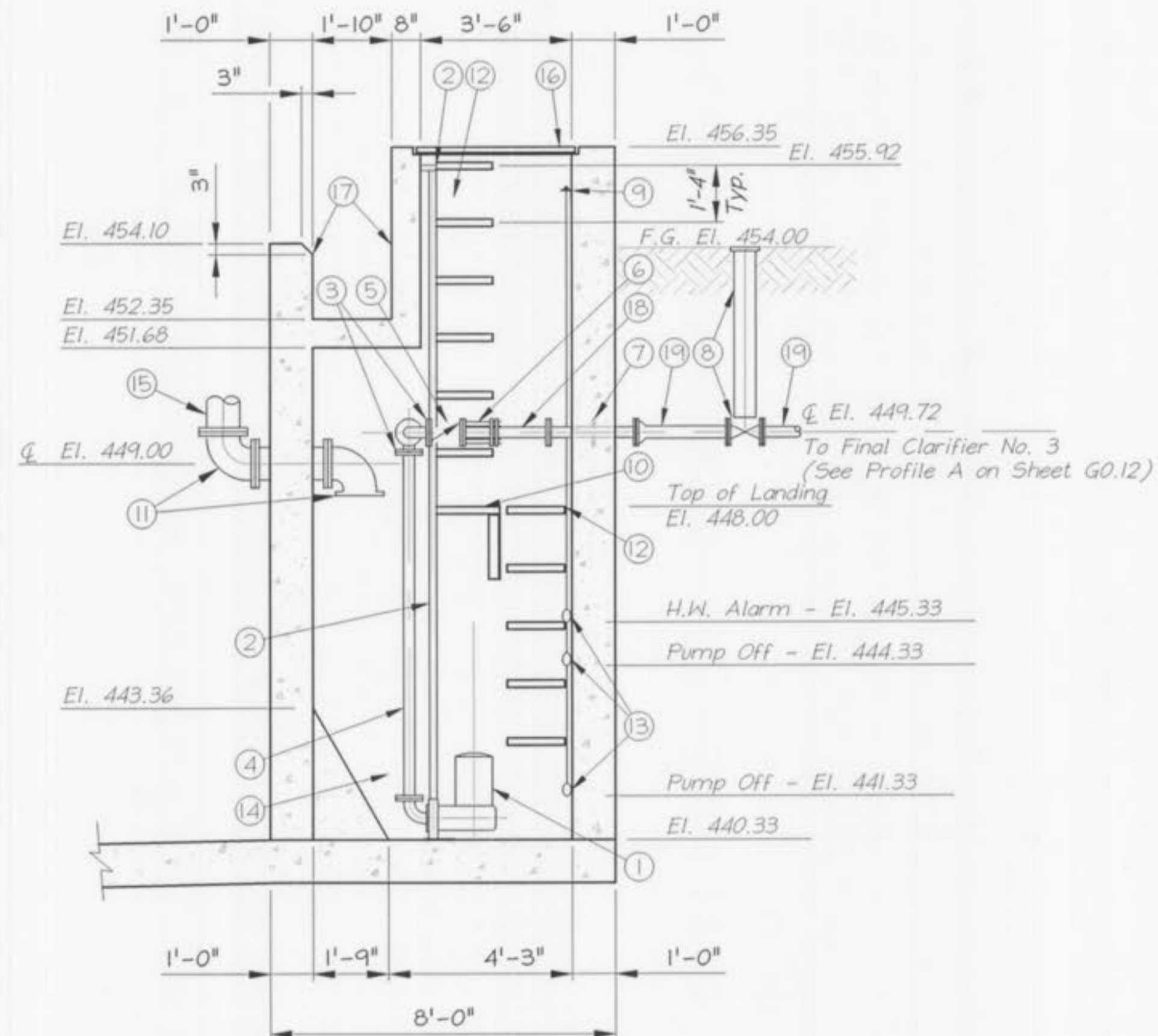
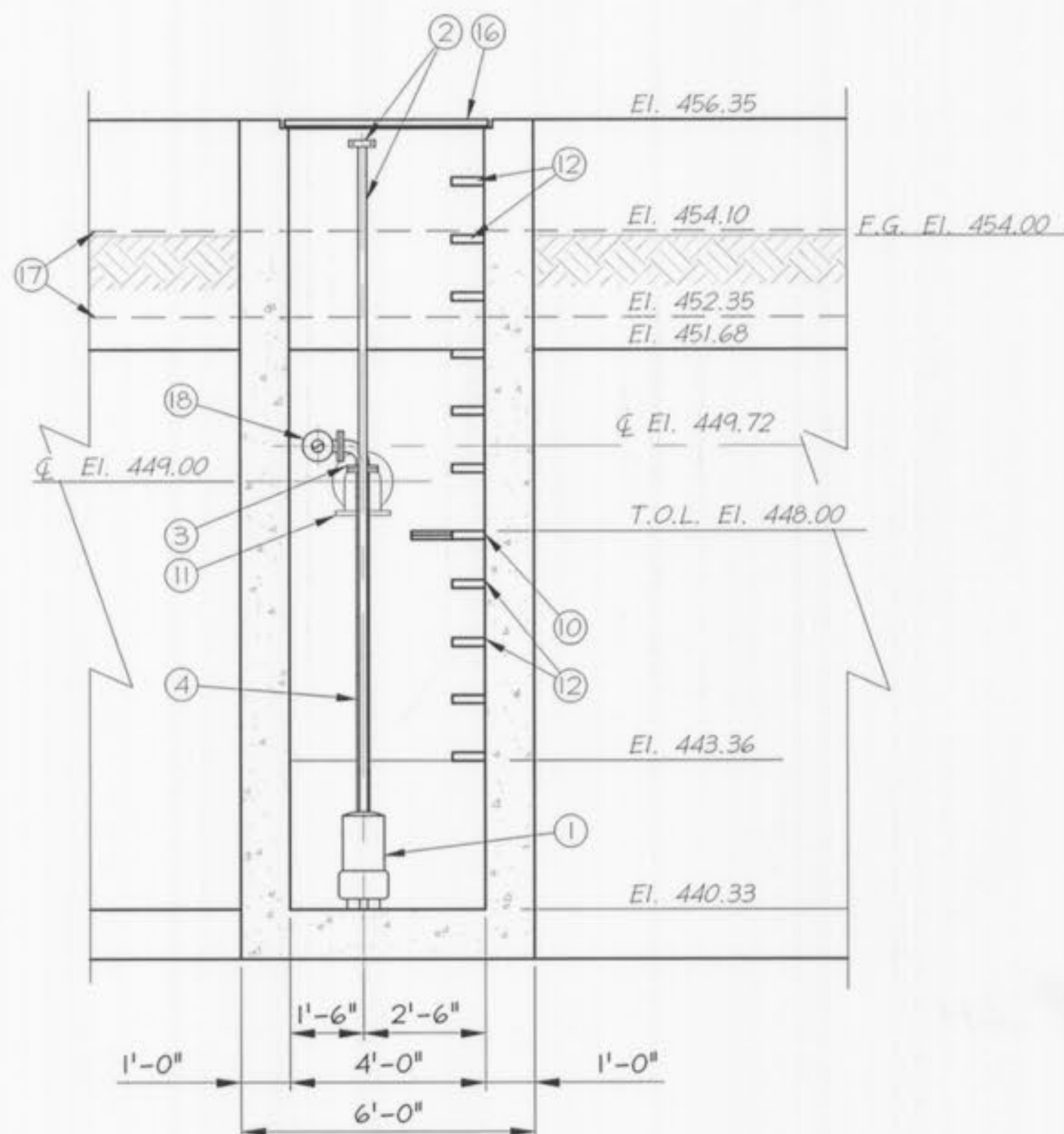


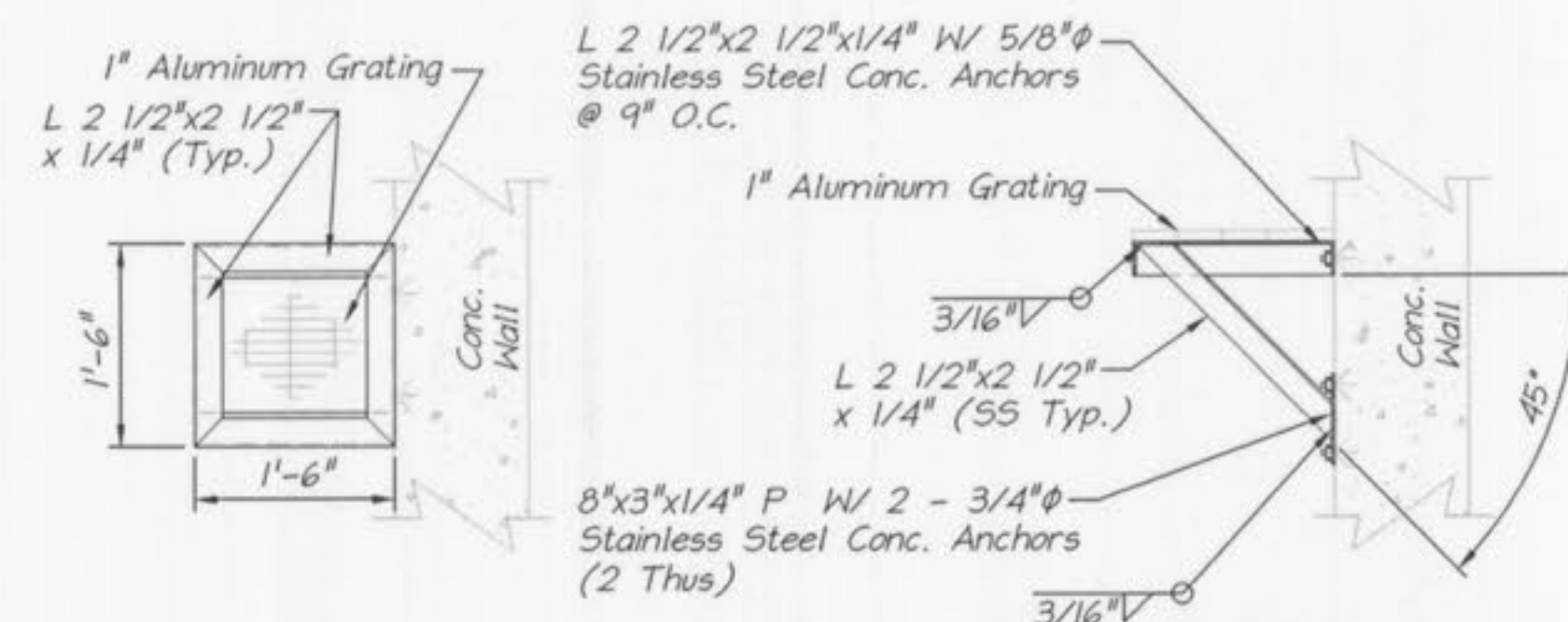
**PLAN**  
SCALE : 3/8" = 1'-0"



**SECTION 1**  
SCALE : 3/8" = 1'-0"



**SECTION 2**  
SCALE : 3/8" = 1'-0"



Note:  
On Final Clarifier No. 4 the Top Elevation of Landing = 448.00  
On Primary Clarifier No. 4 the Top Elevation of Landing = 448.00

**LANDING DETAIL**  
SCALE : 3/4" = 1'-0"

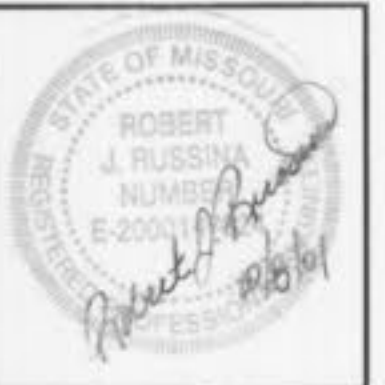
**NOTE**

1. Furnish Intermediate Supports on Guide Rails per Manufacturer's Recommendations.

**LEGEND**

- ① ABS Model AFP0841 Series AFP 3" Scum Pump
- ② Guide Rail System
- ③ 3" x 90° DIP Flg. x Flg. Bend
- ④ 3" dip flg. X flg. Connection Piece
- ⑤ 3" APCO, Series 100, Flg. Rubber Flapper Swing Check Valve
- ⑥ 3" Flanged Coupling Adapter
- ⑦ 3" DIP Flg. x Flg. x P.E. Wall Pipe
- ⑧ 3" MJ Gate Valve w/ Box
- ⑨ Adjustable Float Switch Support
- ⑩ Landing Platform Assembly (Stainless Steel)
- ⑪ 8" x 90° DIP Bend
- ⑫ Manhole Steps (See Detail on Sht. G0.18)
- ⑬ Adjustable Float Switches
- ⑭ Limits of Concrete Fill
- ⑮ To Scum Beach Assembly
- ⑯ Access Hatch Assembly (3'-6" x 4'-0")
- ⑰ Outboard Weir Trough
- ⑱ 3" DIP Flg. x P.E. Connection Piece
- ⑲ 3" DIP MJ Connection Piece

GEORGE BUTLER ASSOCIATES, INC.  
Engineers • Architects  
Kansas • Missouri • Illinois



WASTEWATER TREATMENT PLANT EXPANSION  
**FINAL CLARIFIER NO. 4**  
**SCUM PIT PLAN AND SECTIONS**  
 CITY OF FALLON, MISSOURI

JOB NO.: 9234  
DATE: 10-08-2001

DESIGNED BY: TMS  
DRAWN BY: RGA/DMH  
CHECKED BY: RJR/TMS

SHEET NUMBER

**C31.03**