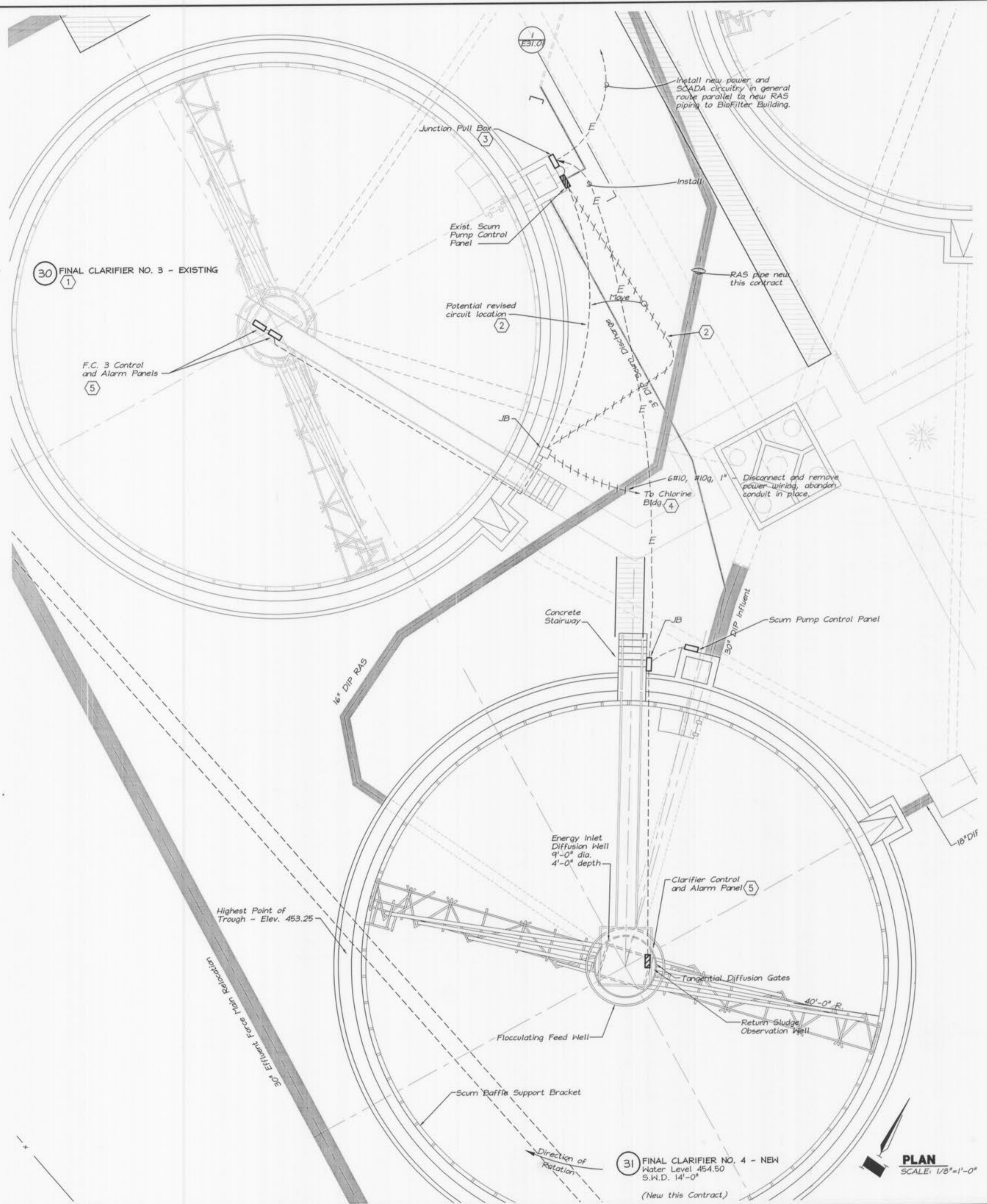
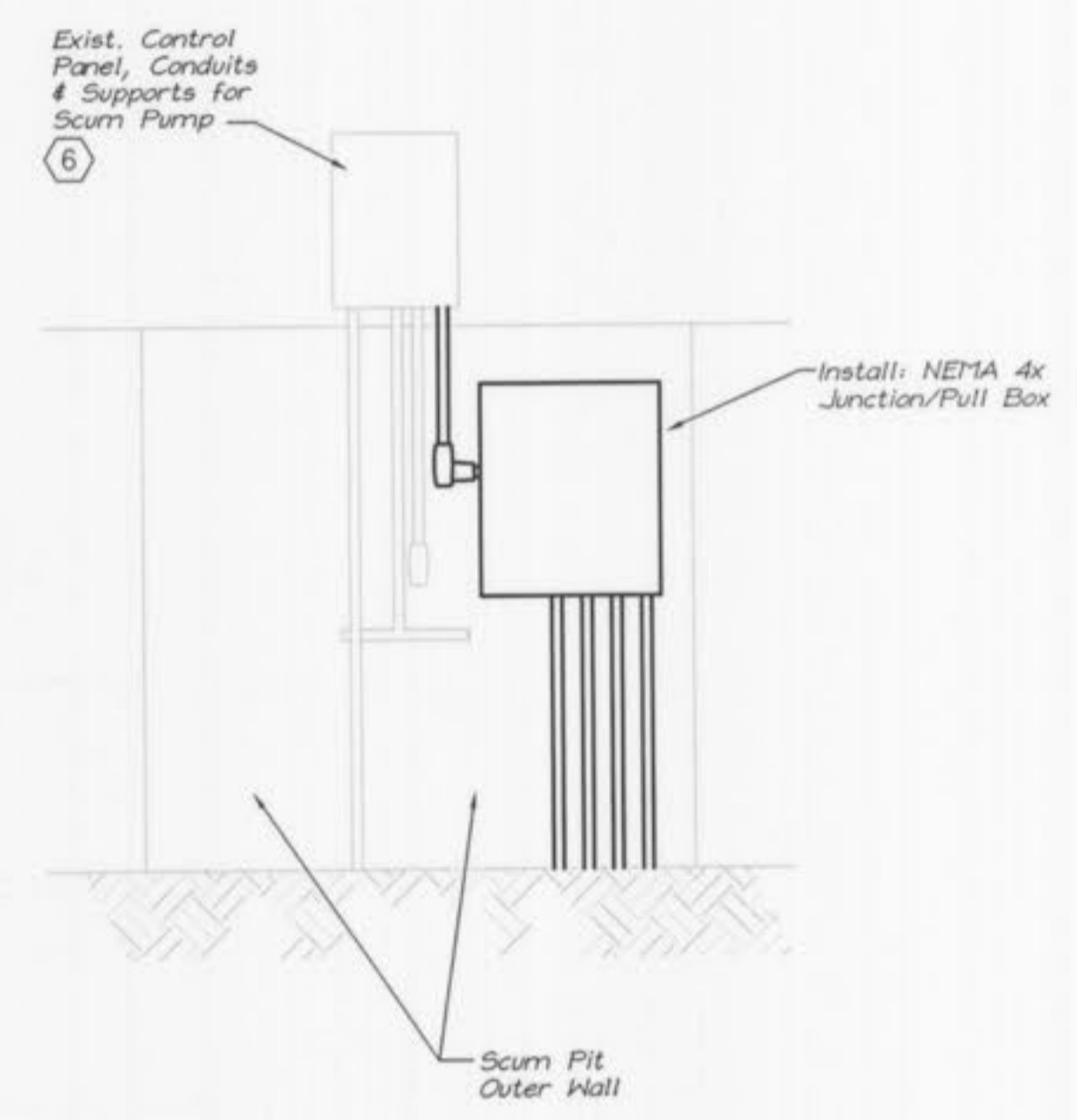


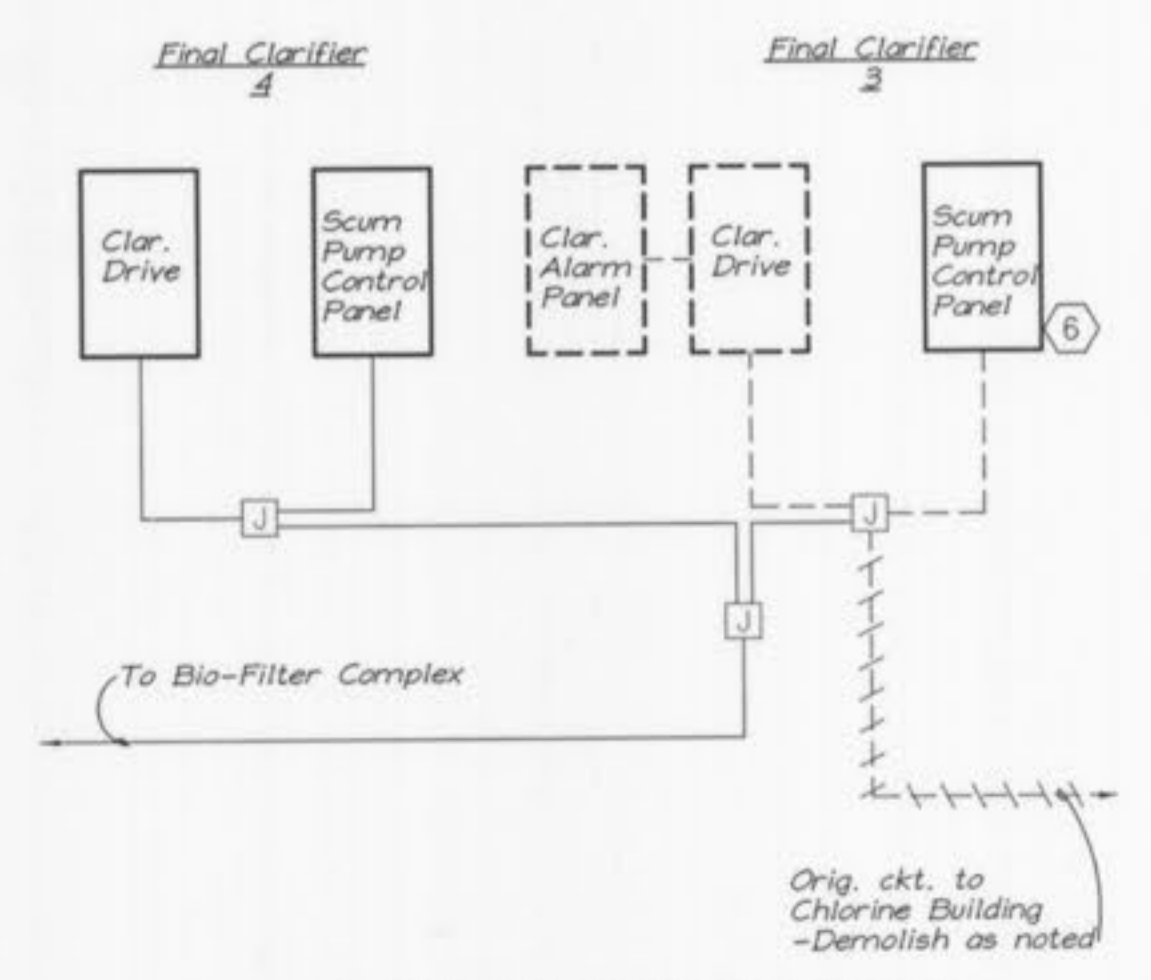
K:\Client\O'Fallon\9234\Elec\9234\3101.dwg Layout: E31.01 --- Monday, October 08, 2001, 1:07pm --- Copyright 2001, George Butler Associates, Inc.



- Notes:**
- 1 Major equipment for F.C. 3 is existing, modify as shown.
 - 2 Hatched area indicates original design location of 3#10, #10g, 3/4" c. circuit to Scum Pump control panel. Where shown, circuit will interfere with proposed RAS line. Re-use conduit if suitable and replace exist. ckt. with 6#10, 2#10g. Verify existing location and replace conduit if necessary.
 - 3 NEMA 4x stainless steel junction box. Provide with terminal strips and install min. 24" AFG., see detail 1 this sheet.
 - 4 Exist. power circuitry for F.C. 3 and related Scum Pump, remove wire and abandon conduit in place.
 - 5 Clarifier Control and alarm panel shall be furnished by Clarifier equipment supplier for installation by this Contractor. Coordinate with Supplier for exact requirements, see schematic sheet E31.02 for general equipment and wiring.
 - 6 Replace existing Scum Pump Control Panel, see details sheet E31.02.



1 **DETAIL 1**
E31.01 SCALE: NO SCALE



FINAL CLARIFIER RE-WIRING RISER DIAGRAM
SCALE: NO SCALE

