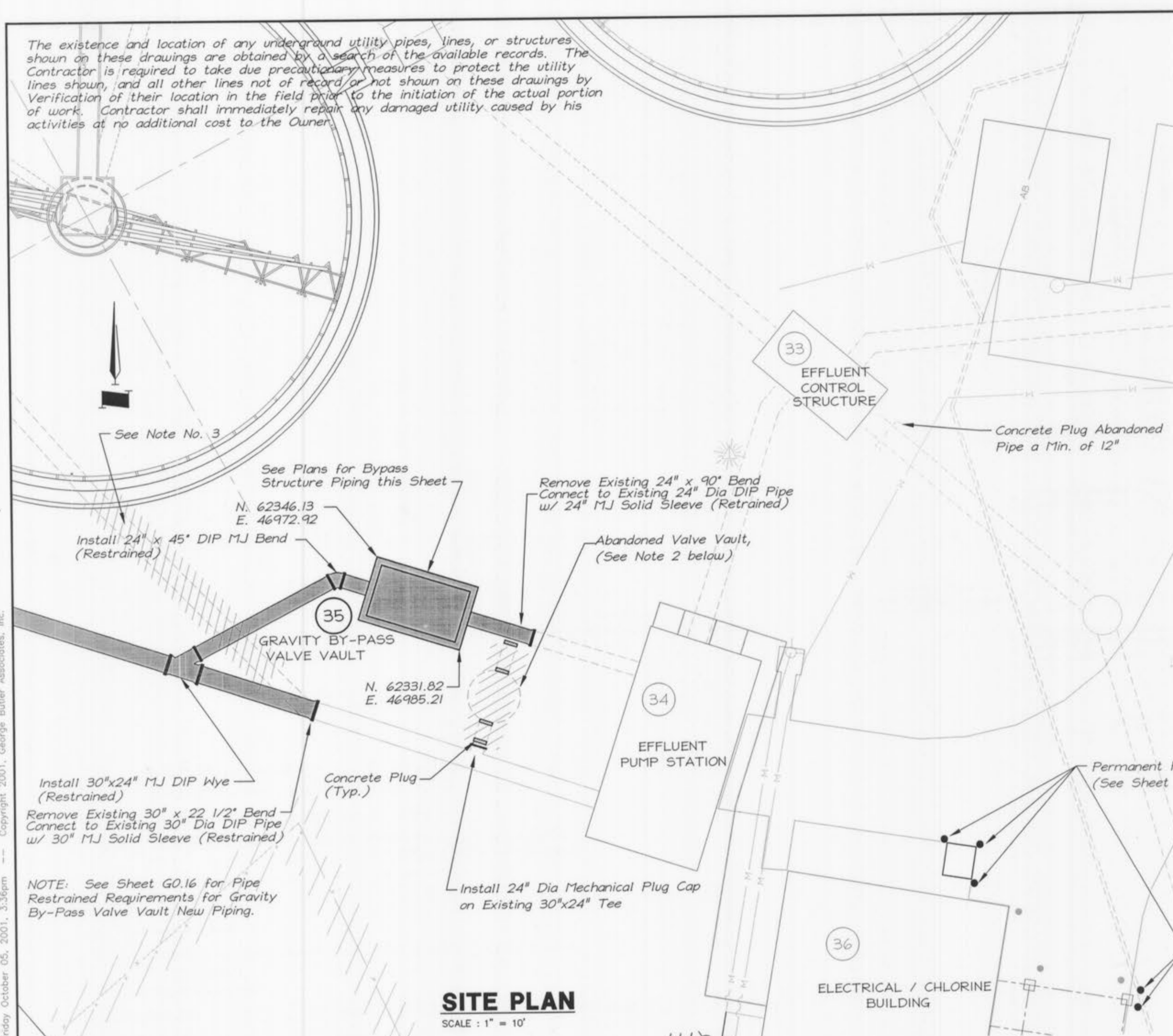
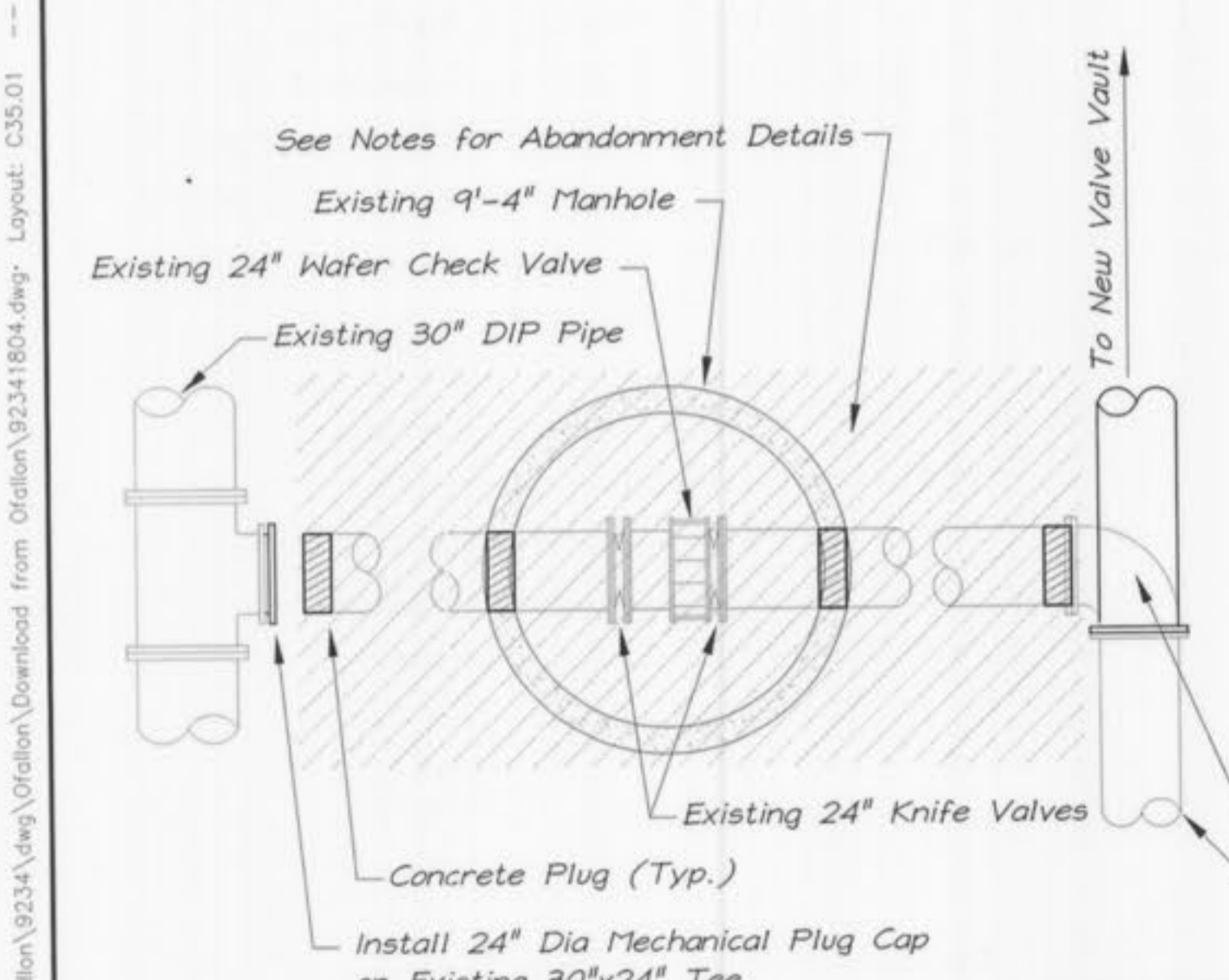


The existence and location of any underground utility pipes, lines, or structures shown on these drawings are obtained by a search of the available records. The Contractor is required to take due precautionary measures to protect the utility lines shown, and all other lines not of record or not shown on these drawings by verification of their location in the field prior to the initiation of the actual portion of work. Contractor shall immediately repair any damaged utility caused by his activities at no additional cost to the Owner.



SITE PLAN
SCALE : 1" = 10'



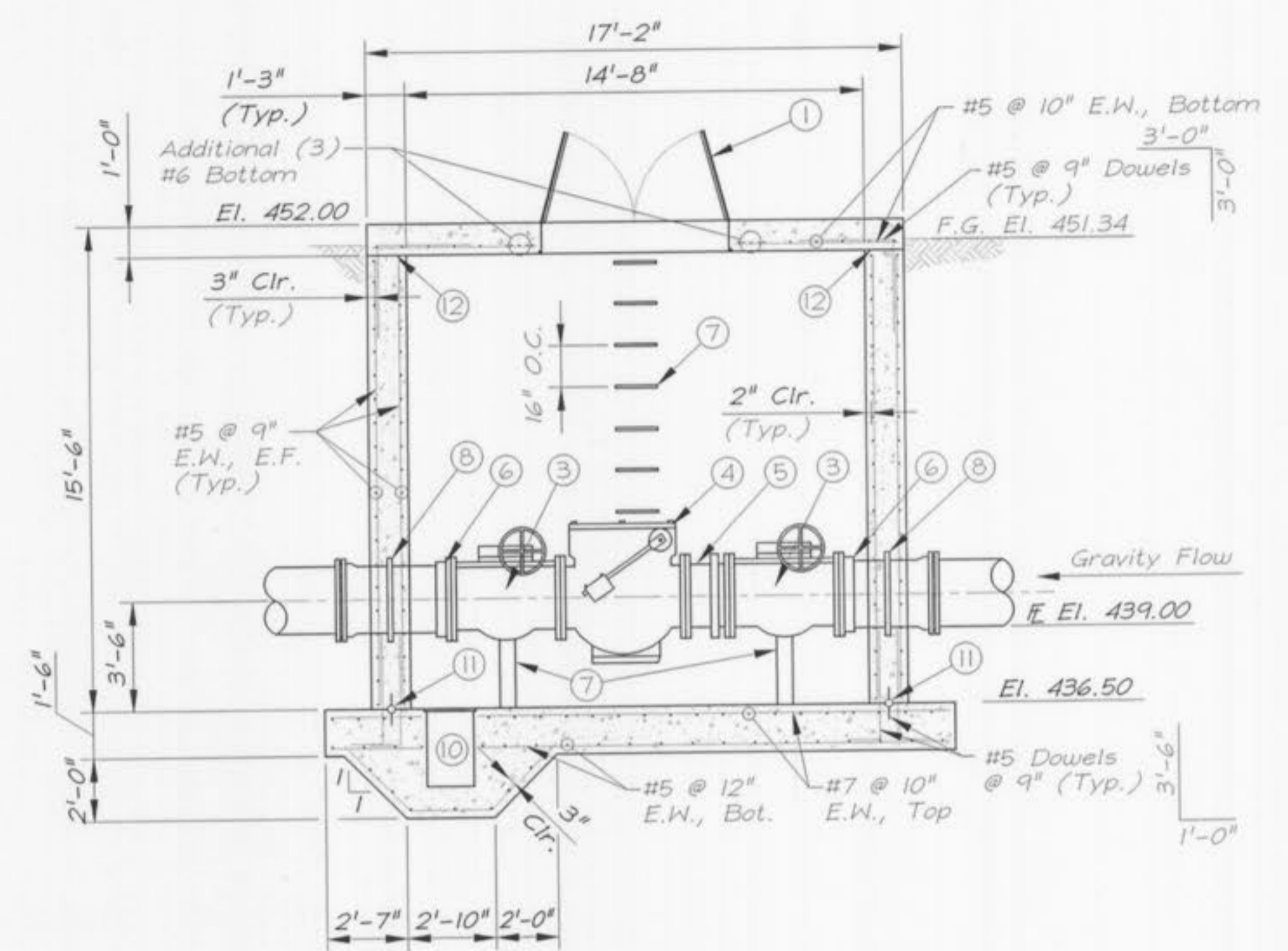
EXISTING VALVE VAULT
SCALE : Not to Scale

Notes:

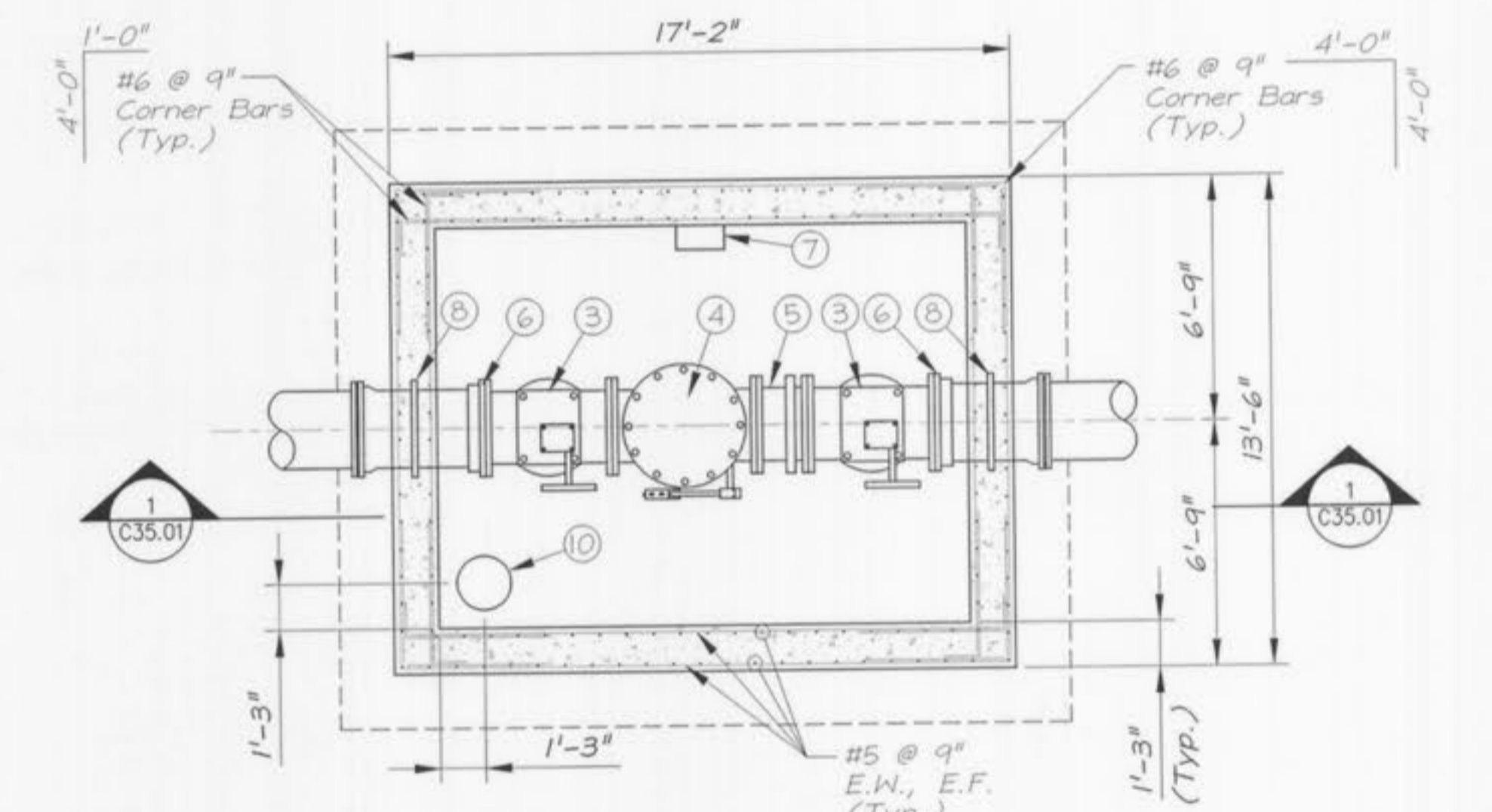
- Any Valves Designated by the Owner to be Salvageable Shall be Carefully Removed and Delivered as Directed by the Owner.
- Contractor to Saw-Cut or Remove Sufficient Barrels to 4 to 5 feet Below Existing Grade of the Existing Valve Vault Manhole and Drill three (3) 6-inch dia. Drain Holes in the Concrete Base. Sand fill Valve Vault Manhole to 2 to 3 feet from Final Grade with Remaining Fill to be Placed with Backfill to Final Grade.
- Contractor to Completely Remove Abandoned 30-inch DIP Force Main Piping at No Additional Cost to the Owner or Remove as Needed for New Construction of the Final Clarifier and Bypass Valve Vault and Concrete Plug All Exposed Pipe Ends.

LEGEND

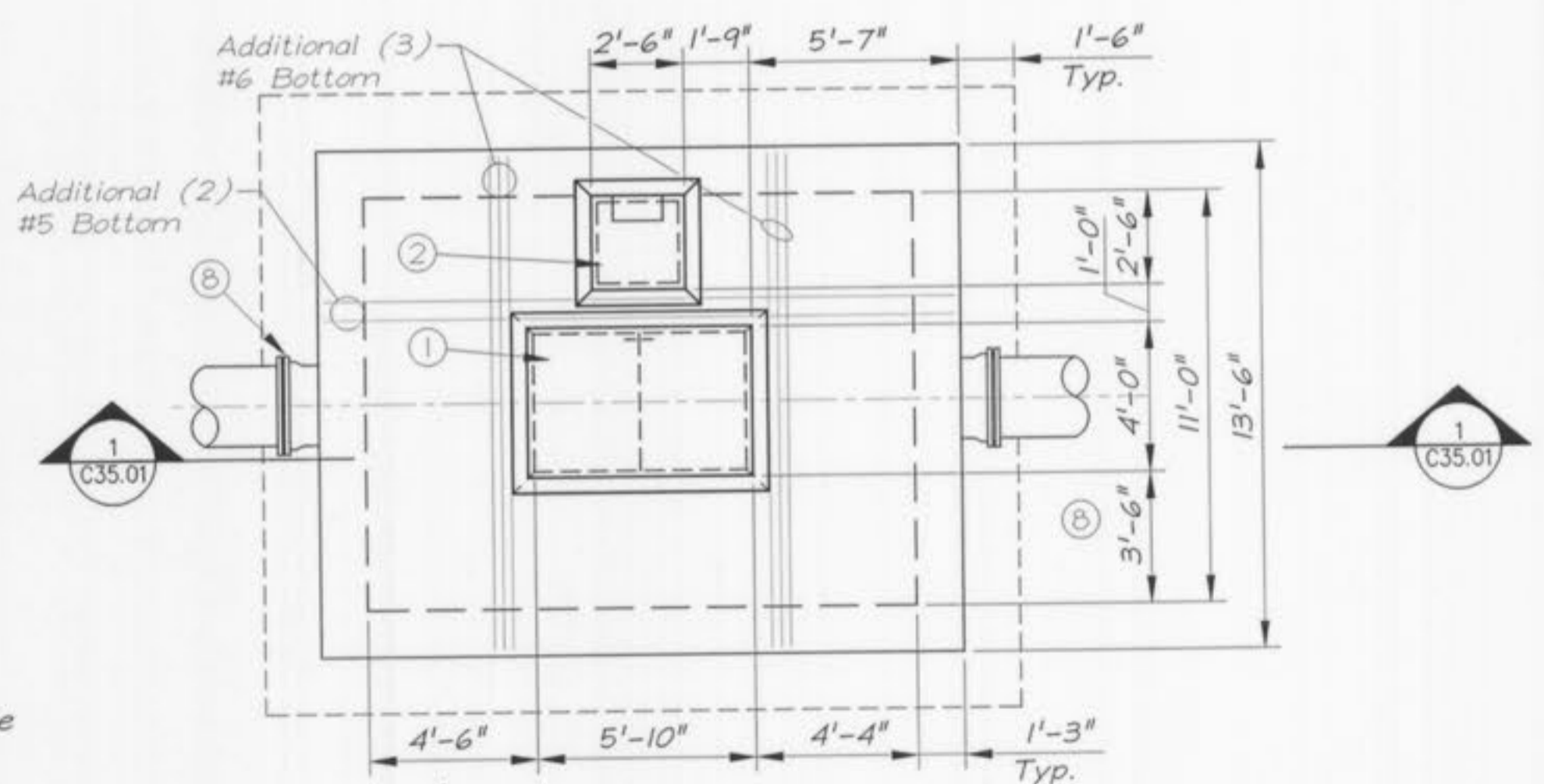
- Aluminum Access Hatch (6'-0"x4'-0") With Drain
- Aluminum Access Hatch (2'-6"x2'-6") With Drain
- 24" Plug Valve
- 24" Swing Check Valve With Lever and Weights
- 24" Flanged Coupling Adapter
- 24" Retainer Gland
- Manhole Steps
- 24" Dia. MJ x FLG x FLG Wall Pipe
- Concrete Pipe Supports
- 1'-6" Dia. x 2'-6" Deep Sump Area
- Concrete Joint Roughened to 1/4" Amplitude W/ Ribbed 6" PVC Waterstop (Cont.)
- Concrete Joint Roughened to 1/4" Amplitude



SECTION
SCALE : 1/4" = 1'-0"



PLAN
SCALE : 1/4" = 1'-0"



HATCH PLAN
SCALE : 1/4" = 1'-0"

