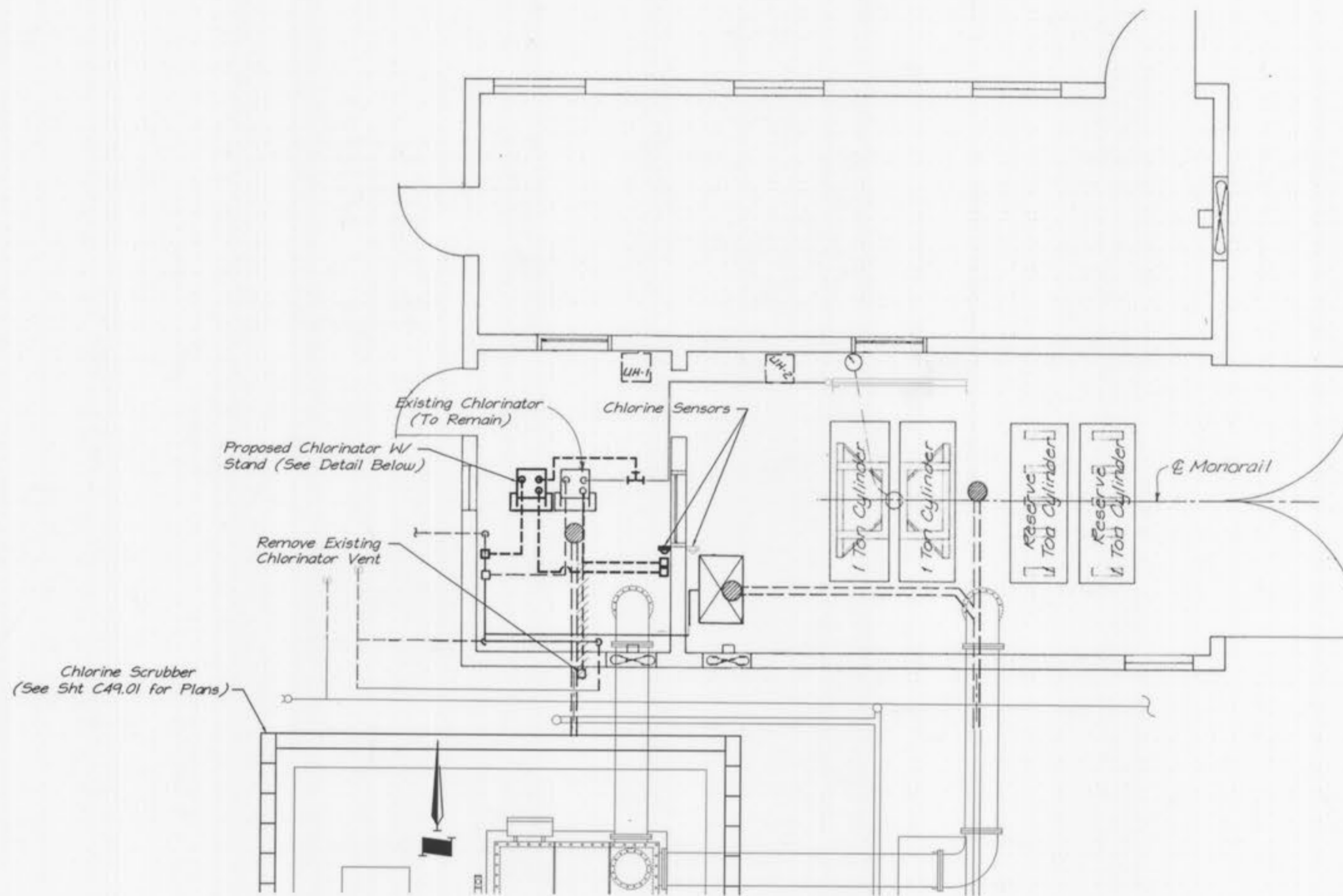


CHLORINE FEEDING SYSTEM SCHEMATIC DIAGRAM
SCALE : N.T.S.

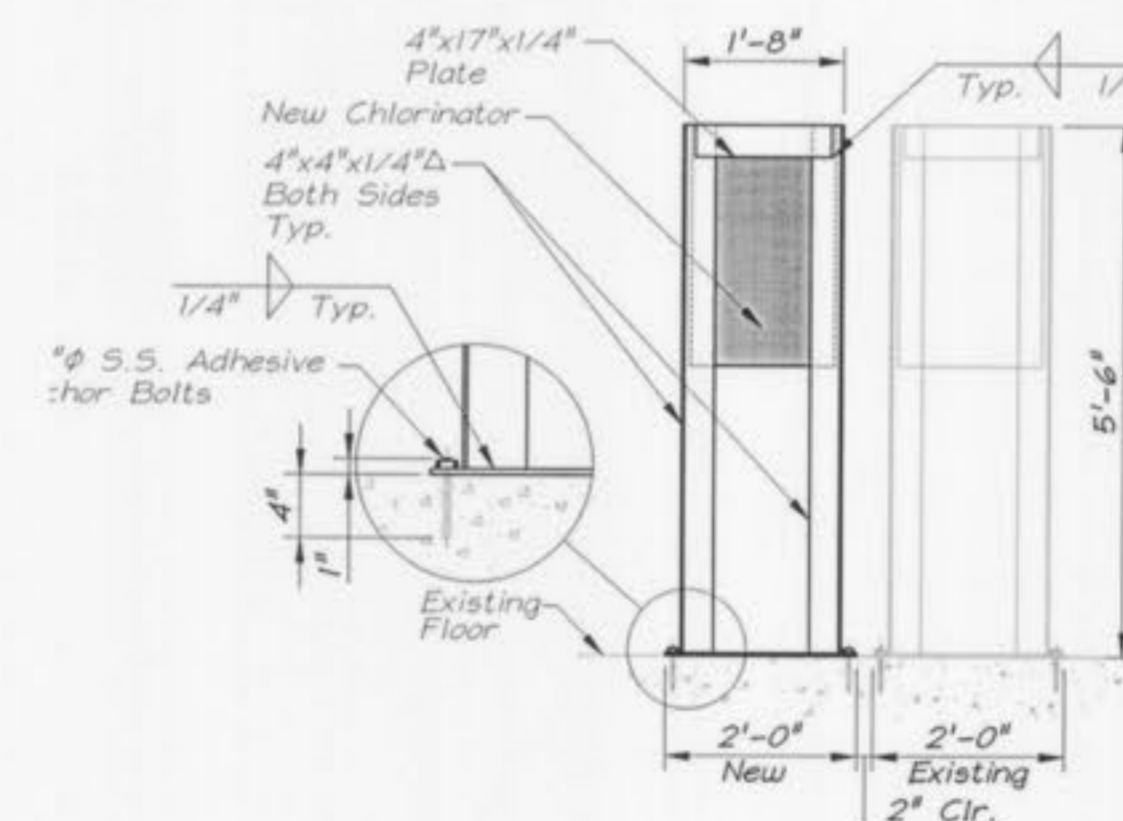
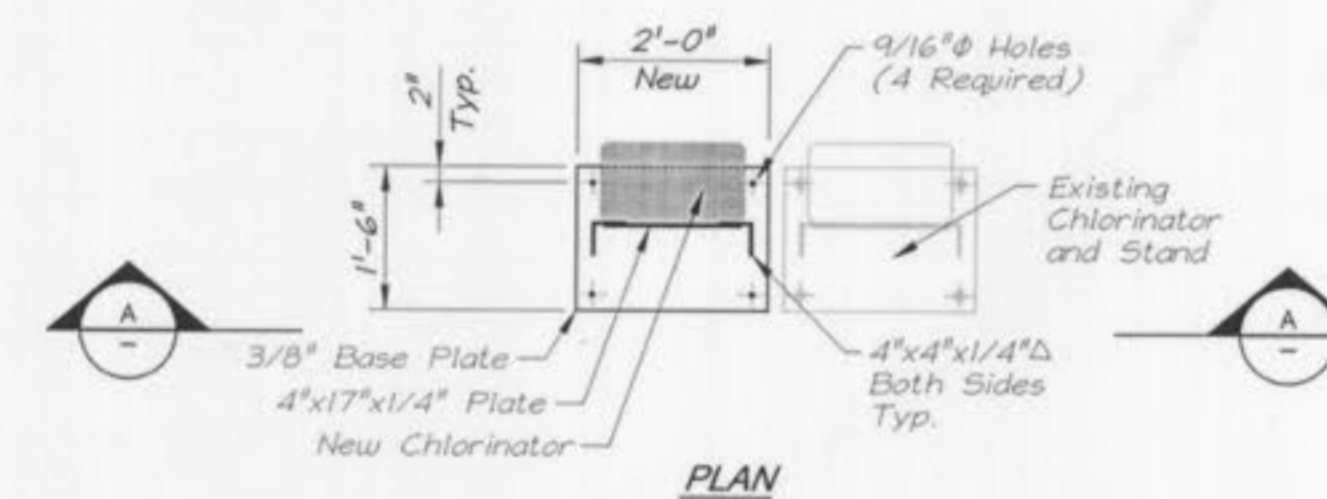
LEGEND

- ① Two-Container Hydraulic load cell scale (4 Ton capacity)
- ② One-Ton Chlorine containers (In Use)
- ③ One-Ton Chlorine containers (In Reserve)
- ④ Automatic switch over Chlorine pressure reducing valve W/ Heater, Drip leg captive yoke auxiliary valve for use on ton containers.
- ⑤ 3/4" Flexible connection
- ⑥ 3/4" Header valve
- ⑦ Header Guard
- ⑧ Chlorinator Suction Line - 1" Schedule 40 PVC pipe w/ solvent Cement Fittings
- ⑨ 1" Shut-off Valve
- ⑩ 500 Lbs/Day Chlorinator W/ 500 Lbs. / Day Rotameter (wall Mounted)
- ⑪ 3/4" PVC Check valve
- ⑫ 1" Injector W/ Variable throat
- ⑬ 3" Water supply - Schedule 40 PVC
- ⑭ 2" x 3" Reducer
- ⑮ 2" Shut-off valve
- ⑯ 2" Reduced pressure principle Backflow preventer
- ⑰ 1 1/2" Shut-off valve
- ⑱ 1 1/2" Strainer
- ⑲ 1 1/2" PVC Check valves
- ⑳ 1 1/2" Schedule 40 PVC Chlorine solution pipe
- ㉑ 2" Shut-off valve
- ㉒ 2" Water (To new yard hydrant near pump station)
- ㉓ 3/4" PVC Vent to Outdoors Abandoned and Rerouted to New Chlorine Detection Sensor
- ㉔ Screen
- ㉕ Two-Ton Capacity monorail W/ Electric chain hoist, motorized trolley and One-Ton container lifting device
- ㉖ 1 1/4" Shut-off Valve
- ㉗ 1 1/4" Schedule 40 PVC
- ㉘ Comb. Drench shower / Eye-Wash unit

The existence and location of any underground utility pipes, lines, or structures shown on these drawings are obtained by a search of the available records. The Contractor is required to take due precautionary measures to protect the utility lines shown, and all other lines not of record or not shown on these drawings by Verification of their location in the field prior to the initiation of the actual portion of work. Contractor shall immediately repair any damaged utility caused by his activities at no additional cost to the Owner.

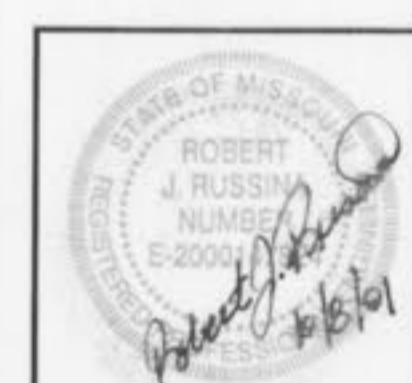


CHLORINE BUILDING MECHANICAL PLAN
SCALE : 1/4" = 1'-0"



CHLORINATOR STAND DETAIL
SCALE : 1/2" = 1'-0"

GEORGE BUTLER ASSOCIATES, INC.
Engineers • Architects
Kansas • Missouri • Illinois



WASTEWATER TREATMENT PLANT EXPANSION
**CHLORINE FACILITIES MODIFICATION
PLAN AND DETAILS**
CITY OF O'FALLON, MISSOURI

JOB NO.: 9234
DATE: 10-08-2001

DESIGNED BY: ESK
DRAWN BY: ESK
CHECKED BY: RJR/TMS
SHEET NUMBER

C36.01