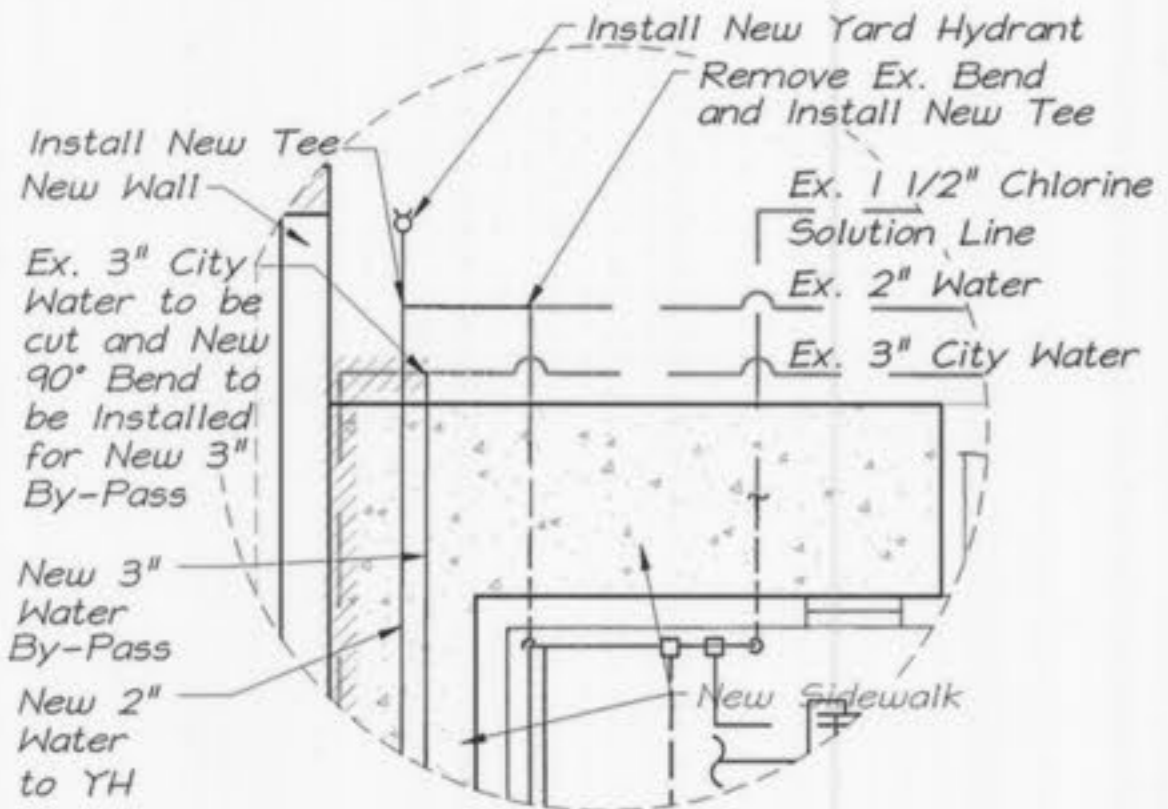


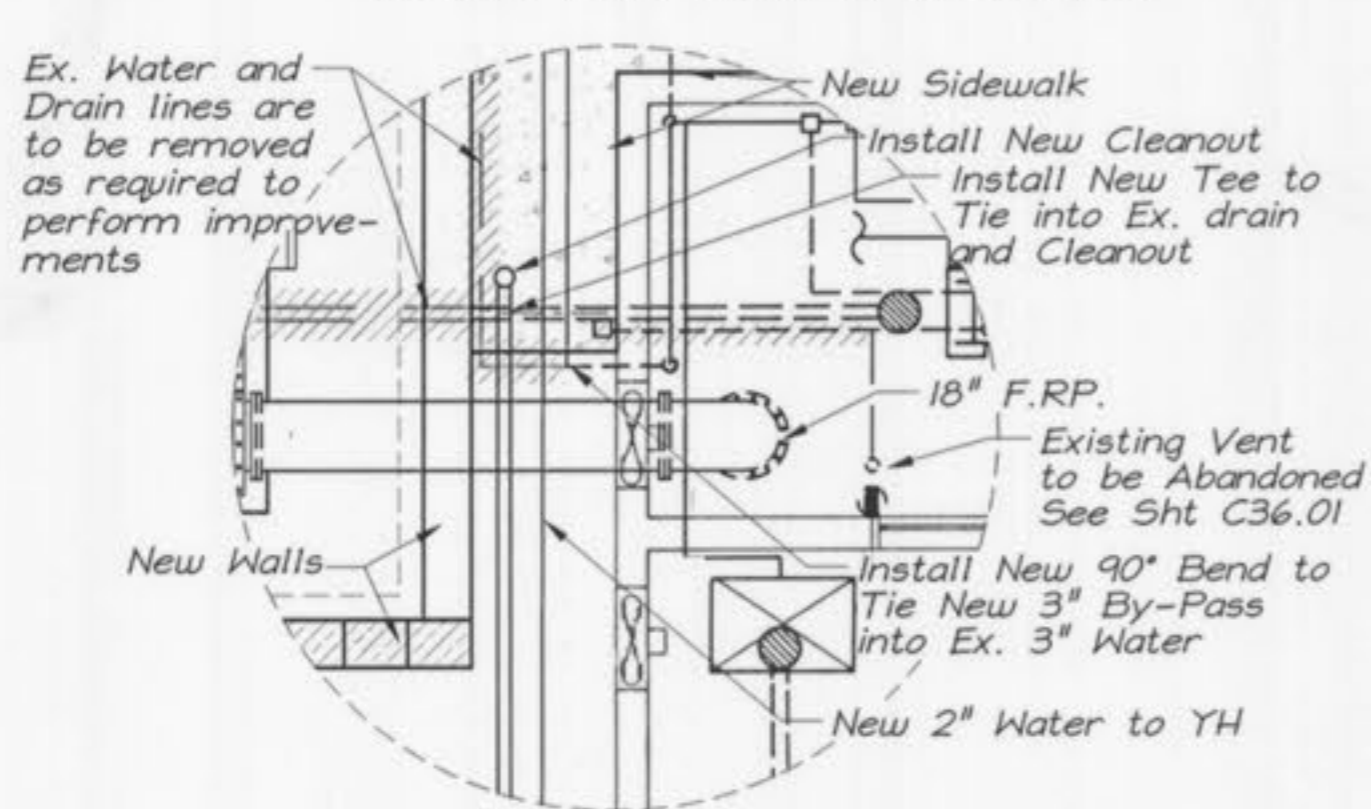
**Notes:**

- The block wall shall only be constructed on three sides of Scrubber. The back shall be left open for access.
- Contractor to provide initial fill of 20% Caustic solution, (Approximately 2,100 Gallons)
- Install a 60 Durometer Rubber sheet underneath the Scrubber Prior to Installation
- Additional Chlorine Detection Equipment To be Provided and Installed in Chlorine Metering Room.
- Provide an Immersion Heater with the Scrubber to prevent caustic solution from freezing.
- The existence and location of any underground utility pipes, lines or structures shown on these drawings are obtained by a search of the available records. The contractor is required to take due precautionary measures to protect the utility lines shown and all other lines not of record or not shown on these drawings by Verification of their location in the field prior to the initiation of the actual portion of work. Contractor shall immediately repair any damaged utility caused by his activities.



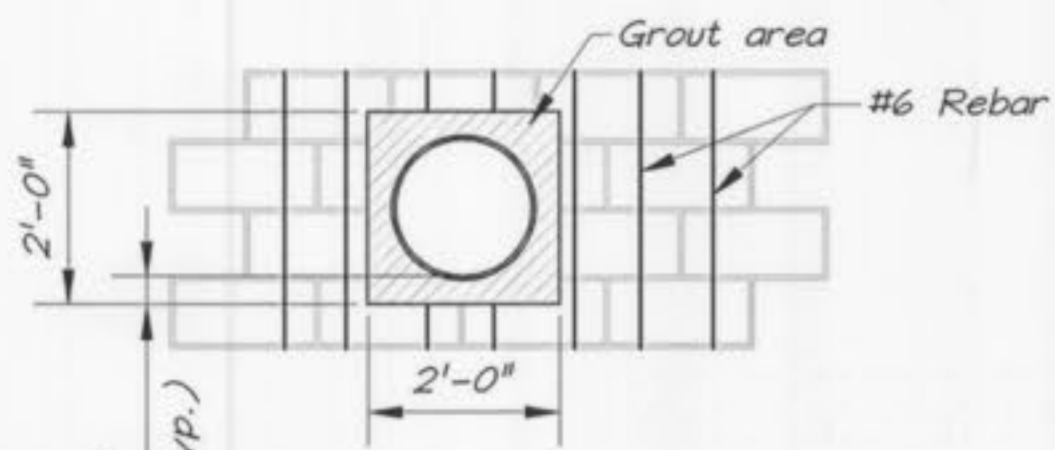
**CONNECTION DETAIL**

SCALE : N.T.S.



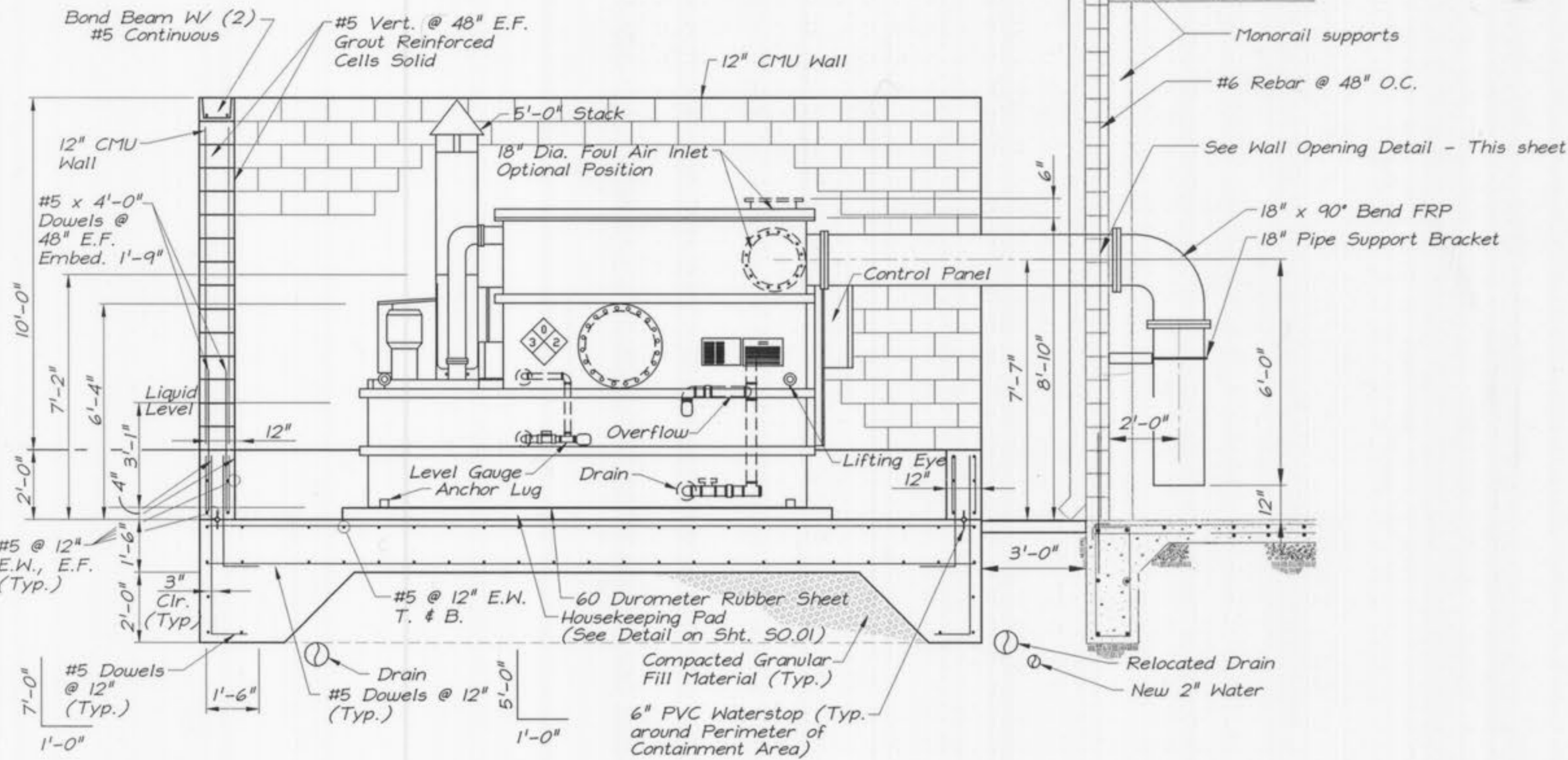
**CONNECTION DETAIL**

SCALE : N.T.S.



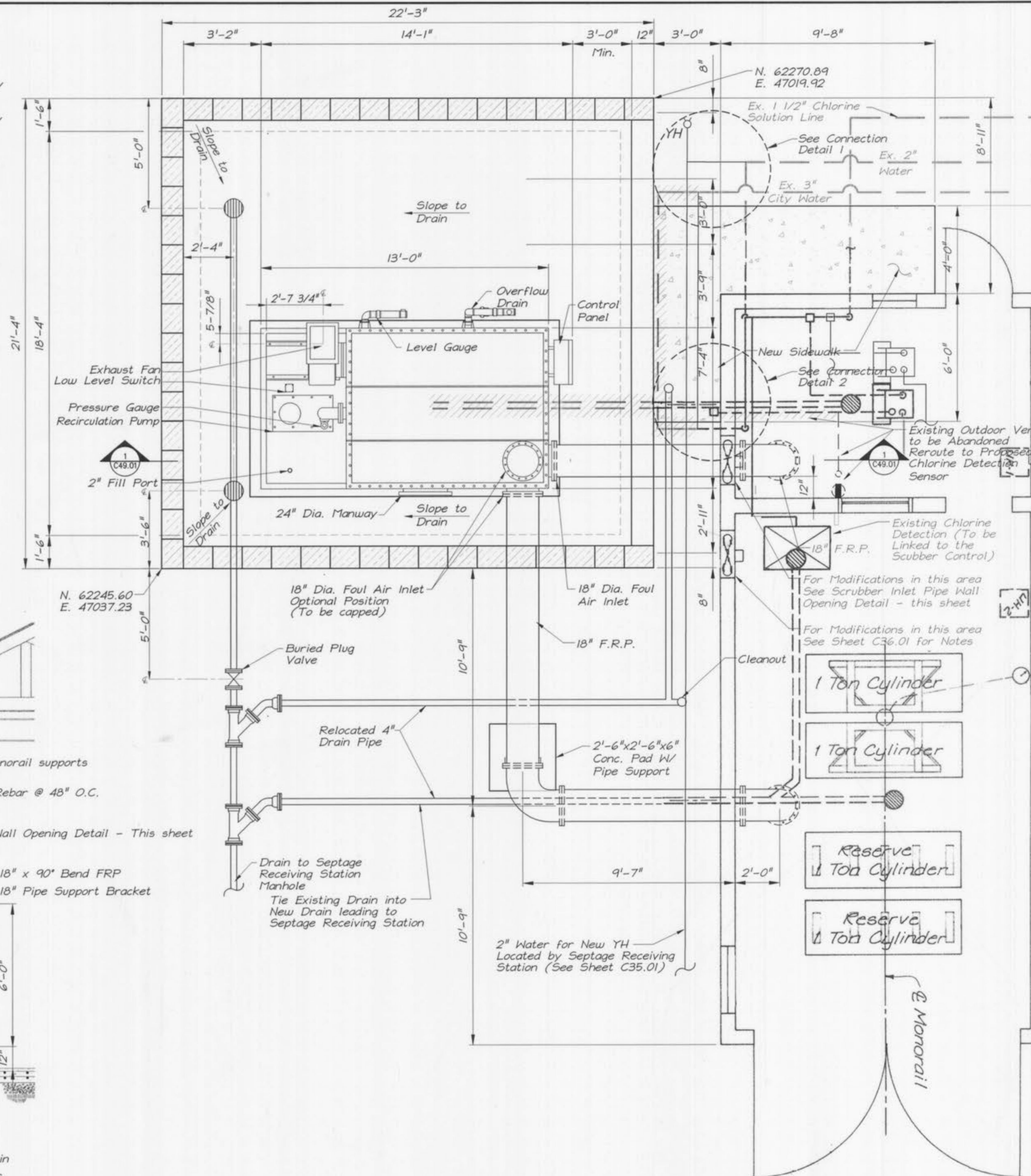
**SCRUBBER INLET PIPE WALL OPENING DETAIL**

SCALE : 1/2" = 1'-0"



**SCRUBBER AND BUILDING SECTION**

SCALE : 3/8" = 1'-0"



**SCRUBBER AND BUILDING PLAN**

SCALE : 3/8" = 1'-0"

GEORGE BUTLER ASSOCIATES, INC.  
Engineers • Architects  
Kansas • Missouri • Illinois

**GBA**



**WASTEWATER TREATMENT PLANT EXPANSION**  
**CHLORINE SCRUBBER**  
**PLANS AND SECTION**  
 CITY OF FALLON, MISSOURI

JOB NO.: 9234  
DATE: 10-08-2001

DESIGNED BY: ESK  
DRAWN BY: ESK  
CHECKED BY: RJR/TMS

SHEET NUMBER

**C49.01**