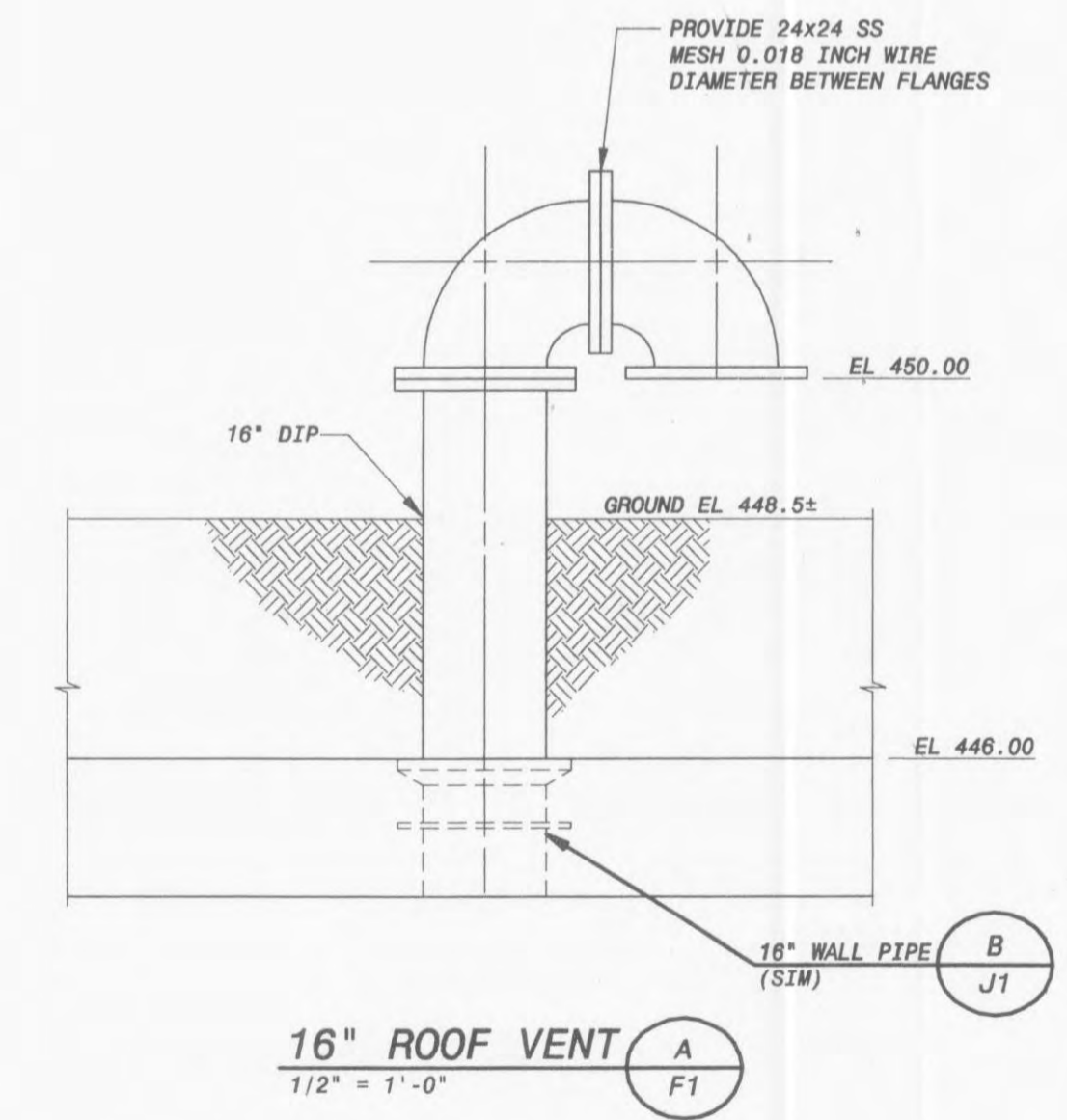
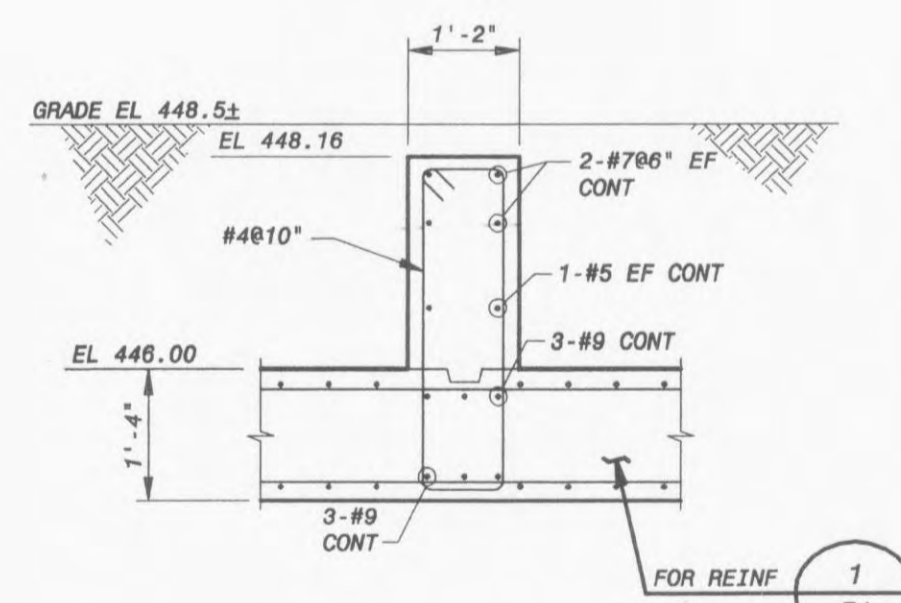
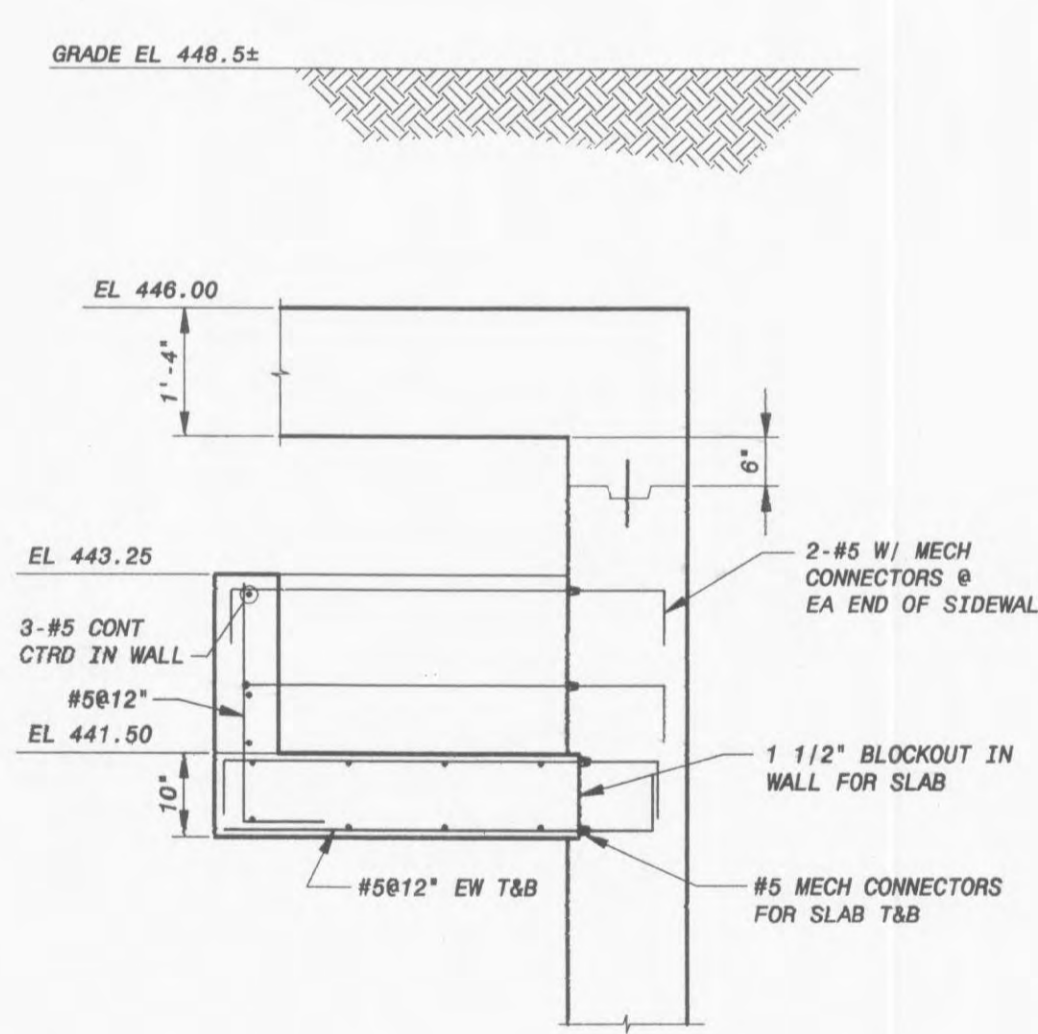


\*THIS DRAWING WAS  
ORIGINALLY APPROVED  
FOR CONSTRUCTION BY  
WILLIAM F. RILEY ON  
10/08/01 AND SEALED  
BY WILLIAM F. RILEY  
A LICENSED PROFESSIONAL  
ENGINEER IN THE STATE OF MISSOURI,  
NO. E-20756\*



NOTES:  
1. PROVIDE 10 ADD'L #8@12\"/>

CONFORMED TO CONSTRUCTION RECORDS		2	1	NO. BY CK	APP
ADDENDUM					
DATE	REVISIONS AND RECORD OF ISSUE	XREF1 ID:			
CYNET ID: 97515-300-C-700006AS		XREF2 ID:			
SAVED: BOW14813_3/25/2003 2:47:58 PM		XREF3 ID:			
DWG VER #: 7.2		XREF4 ID:			
PLOTTED: BOW14813_3/25/2003 2:47:40 PM		XREF5 ID:			
USER: BOW14813	SW: ACAD-2000L				

\*THIS DRAWING WAS  
ORIGINALLY APPROVED  
FOR CONSTRUCTION BY  
KEVIN M. NELSON ON  
10/08/01 AND SEALED  
BY KEVIN M. NELSON  
A LICENSED PROFESSIONAL  
ENGINEER IN THE STATE OF MISSOURI,  
NO. E-26299\*

**BLACK & VEATCH**  
Corporation  
St. Louis, Missouri

**CITY OF FALLON, MISSOURI**  
WATER TREATMENT PLANT  
EQUALIZATION BASIN  
SECTIONS AND DETAILS

DESIGNED: KMN, BPF, NGM  
 DETAILED: DPH, JAB, MAS  
 CHECKED: WLK, BLP  
 APPROVED: KMN, WFR  
 DATE: 10/08/01  
 PROJECT NO.  
**97515**  
**F2**  
 SHEET  
 32 OF 96